



US00D356733S

# United States Patent [19]

Adami et al.

[11] Patent Number: Des. 356,733

[45] Date of Patent: \*\* Mar. 28, 1995

- [54] BEVERAGE CAN-CARRYING DEVICE
- [75] Inventors: Arthur E. Adami, Andover, Mass.;  
Christopher P. Amberg, Owings Mills, Md.
- [73] Assignee: Sweetheart Cup Company Inc.,  
Owings Mills, Md.
- [\*\*] Term: 14 Years
- [21] Appl. No.: 882,164
- [22] Filed: May 12, 1992

### Related U.S. Application Data

- [63] Continuation-in-part of Ser. No. 741,942, Aug. 8, 1991,  
Pat. No. 352,239.
- [52] U.S. Cl. .... D9/455
- [58] Field of Search ..... D9/434-435,  
D9/455, 499; 206/65, 87, 150-151, 158, 161;  
294/87.2; 211/189, 195, 200; 220/507;  
229/120.02, 117.01; 383/33-34.1

### References Cited

#### U.S. PATENT DOCUMENTS

D. 329,603	9/1992	Barrett	.....	D9/455
2,884,155	4/1959	Hanson	.....	220/23.4
3,002,612	10/1961	Poupitch	.....	206/65
3,156,358	11/1964	Randrup	.....	206/65
3,200,944	8/1965	Rapata	.....	206/65
3,202,448	8/1965	Stern et al.	.....	294/87.2
3,224,576	12/1965	Whiteford	.....	206/65
3,250,564	5/1966	Stern et al.	.....	294/87.2
3,300,041	1/1967	Fuller	.....	206/65
3,302,854	2/1967	Midgley et al.	.....	229/43
3,310,334	3/1967	Murphy	.....	294/87.28
3,317,234	5/1967	Burford	.....	294/87.2
3,331,500	7/1987	Poupitch	.....	206/65
3,346,106	10/1967	Gooding	.....	206/65
3,350,131	10/1967	Tanzer	.....	294/87.2
3,587,846	6/1971	Heier	.....	206/151
3,595,425	7/1971	Eicboltz	.....	220/20
3,627,121	12/1971	Deasy	.....	294/87.2
3,664,497	5/1972	Mascia	.....	206/151
3,744,626	7/1973	Dreyfus	.....	206/65
3,752,305	8/1973	Heyne	.....	206/65
3,778,096	12/1973	Smith	.....	294/87
3,784,002	1/1974	Owen	.....	206/56
3,871,699	3/1975	Hatfield	.....	294/87.2
3,874,502	4/1975	Weaver	.....	206/145

4,136,772	1/1979	Mascia et al.	.....	206/199
4,139,094	2/1979	Berry et al.	.....	206/146
4,215,525	8/1980	Nigrelli	.....	53/579
4,332,121	1/1982	Nigrelli	.....	53/251
4,512,497	4/1985	Grusin	.....	220/366
4,606,454	8/1986	Hambleton et al.	.....	206/150
4,685,275	8/1987	Nigrelli, Sr.	.....	53/566
4,712,680	12/1987	Panazzolo	.....	206/141
4,801,773	1/1989	Henlon	.....	219/10.55
4,805,372	2/1989	Nigrelli	.....	53/48
4,911,288	3/1990	Dantoin, Jr.	.....	206/151
4,911,290	3/1990	Karabedian et al.	.....	206/145
4,940,158	7/1990	Farrell et al.	.....	220/268
4,953,743	9/1990	Dart et al.	.....	220/20
4,982,551	1/1991	Nigrelli, Sr.	.....	53/55
5,027,586	7/1991	Ramaker	.....	53/458

### FOREIGN PATENT DOCUMENTS

70179 3/1992 Canada .

### OTHER PUBLICATIONS

TECHPAK, "New Products", May 20, 1991.

Primary Examiner—Alan P. Douglas

Assistant Examiner—R. Spear

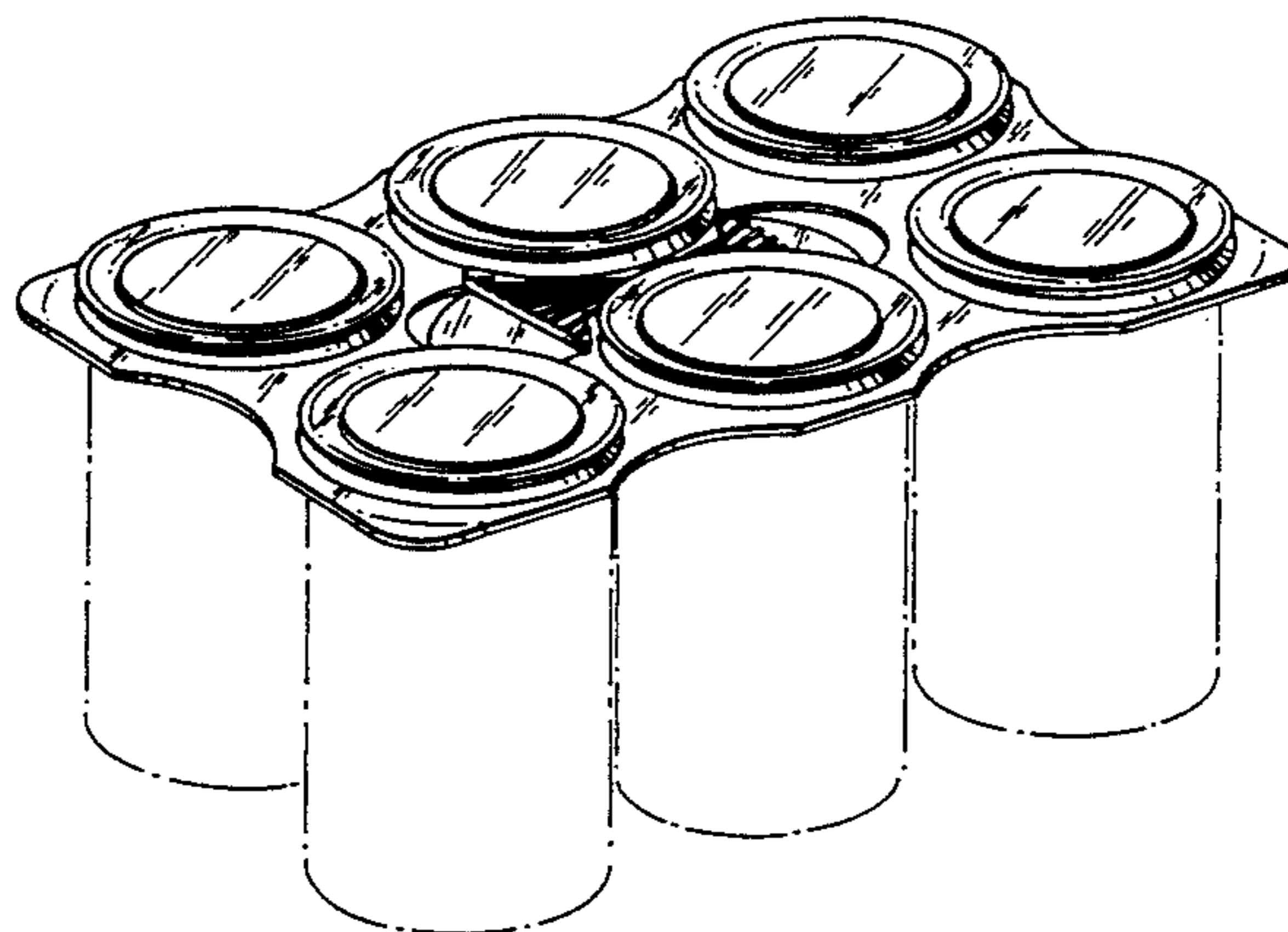
Attorney, Agent, or Firm—Nixon & Vanderhye

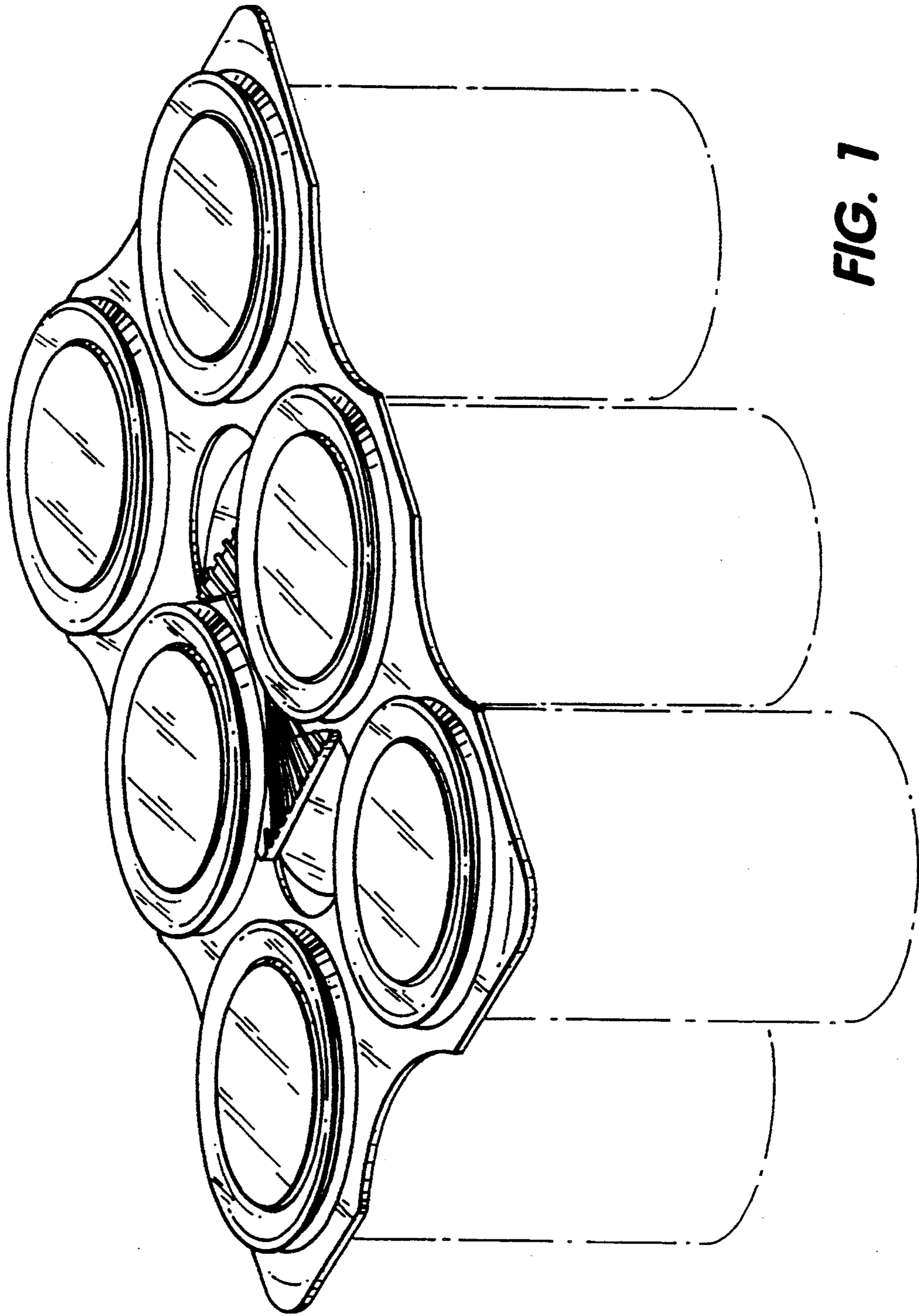
### [57] CLAIM

The ornamental design for a beverage can-carrying device, as shown and described.

### DESCRIPTION

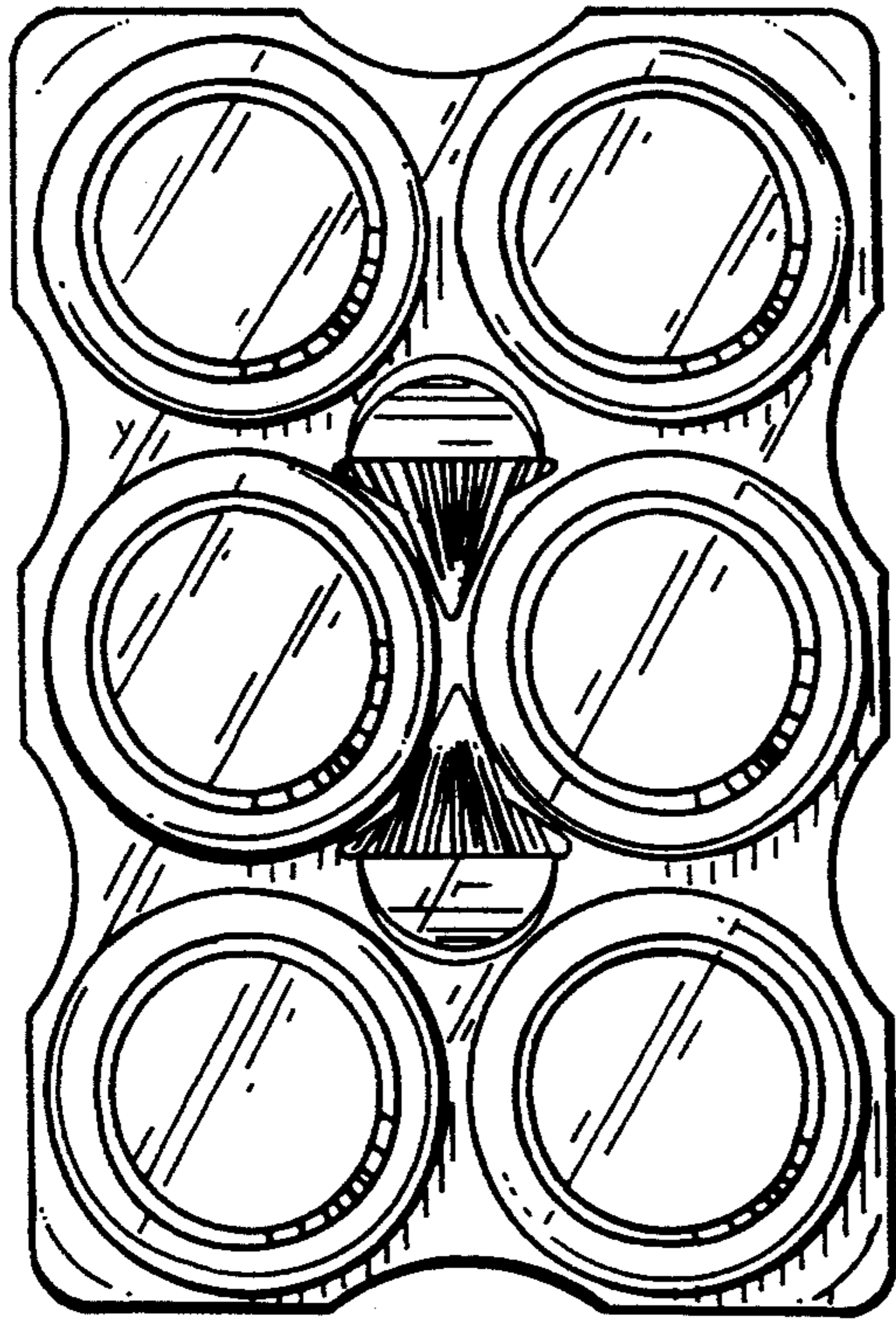
FIG. 1 is a perspective view of a beverage can-carrying device, showing our new design;  
 FIG. 2 is a top plan view thereof;  
 FIG. 3 is a bottom plan view thereof;  
 FIG. 4 is a right side elevational view thereof, the left side elevational view being a mirror image thereof;  
 FIG. 5 is a front elevational view thereof, the rear elevational view being a mirror image thereof;  
 FIG. 6 is a top plan view of an alternate embodiment thereof;  
 FIG. 7 is a right side elevational view thereof, the left side elevational view being a mirror image thereof, and the front and rear elevational views thereof being identical to FIG. 5; and,  
 FIG. 8 is a bottom plan view thereof.  
 The broken line showing of beverage cans is for illustrative purposes only and forms no part of the claimed design.



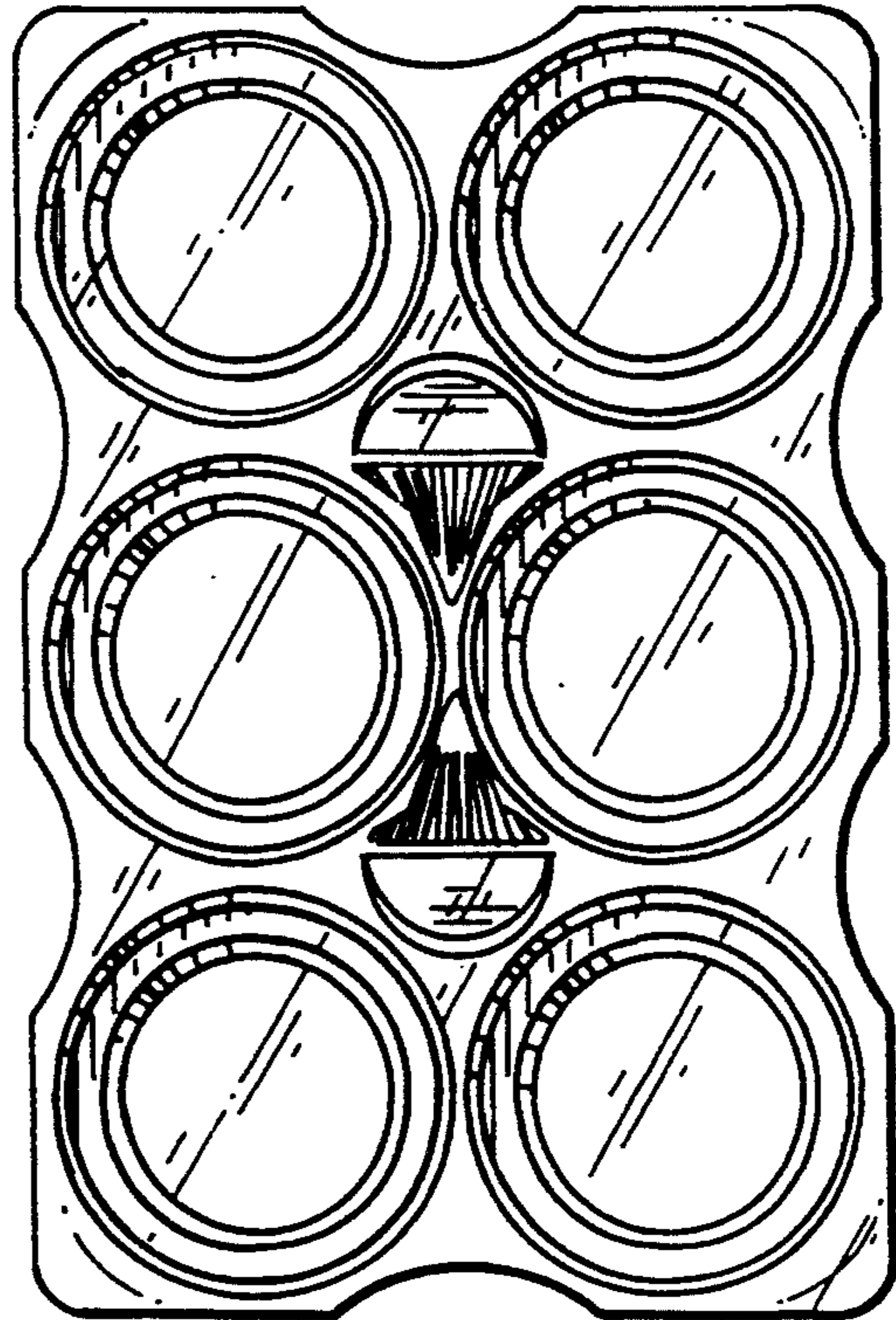


**FIG. 1**

**FIG. 2**

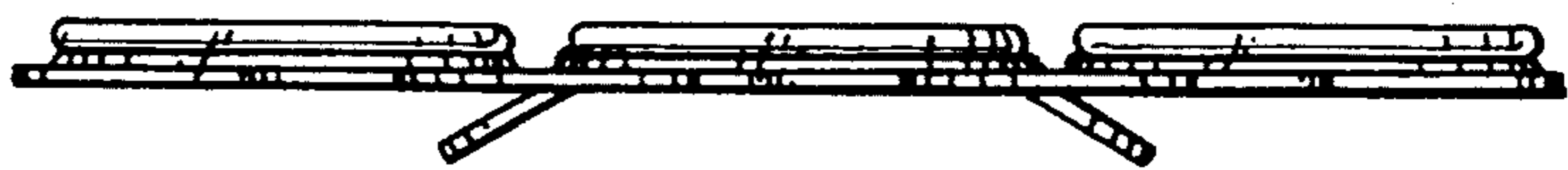


**FIG. 3**

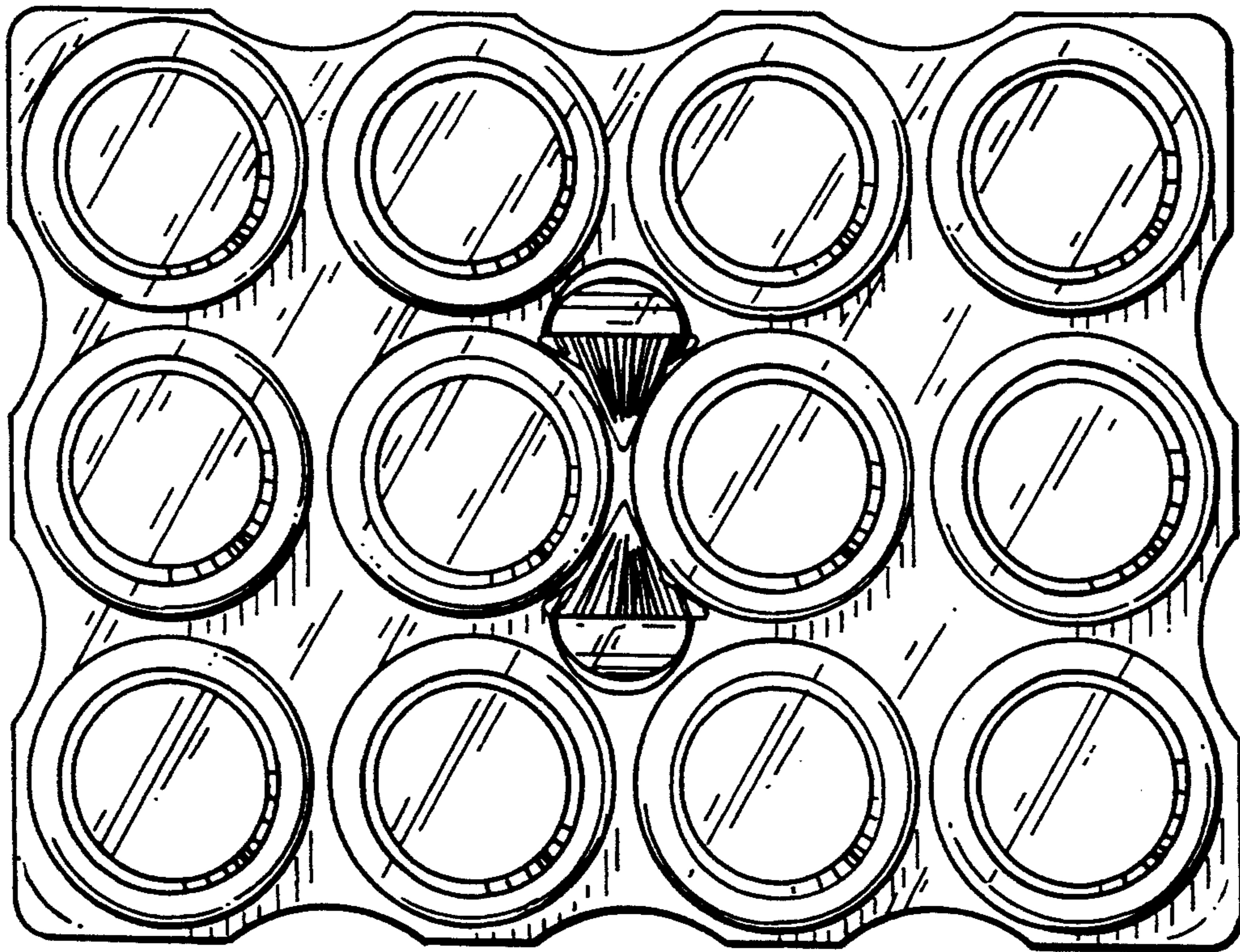


**FIG. 4**

**FIG. 5**



**FIG. 6**



**FIG. 7**



**FIG. 8**

