



US00D356729S

United States Patent [19]

[11] Patent Number: **Des. 356,729**

Kassouni

[45] Date of Patent: **** Mar. 28, 1995**

[54] MOUNTING PLATE

- [75] Inventor: **Haig H. Kassouni**, Grand Rapids, Mich.
- [73] Assignee: **Agape Plastics, Inc.**, Grand Rapids, Mich.
- [**] Term: **14 Years**
- [21] Appl. No.: **8,593**
- [22] Filed: **May 19, 1993**
- [52] U.S. Cl. **D8/387**
- [58] Field of Search **D8/387; 411/89, 87, 411/378, 383, 385**

FOREIGN PATENT DOCUMENTS

- 834787 5/1960 United Kingdom 411/3
- 876106 8/1961 United Kingdom 151/41.7
- 1408532 10/1975 United Kingdom .
- 2173564 10/1986 United Kingdom .

OTHER PUBLICATIONS

Oldsmobile Drawing No. 1984C-22519033 dated Oct. 26, 1982 illustrating weld stud plate, w/attachments.

Primary Examiner—B. J. Bullock

Assistant Examiner—Philip Hyder

Attorney, Agent, or Firm—Varnum, Riddering, Schmidt & Howlett

[56] References Cited

U.S. PATENT DOCUMENTS

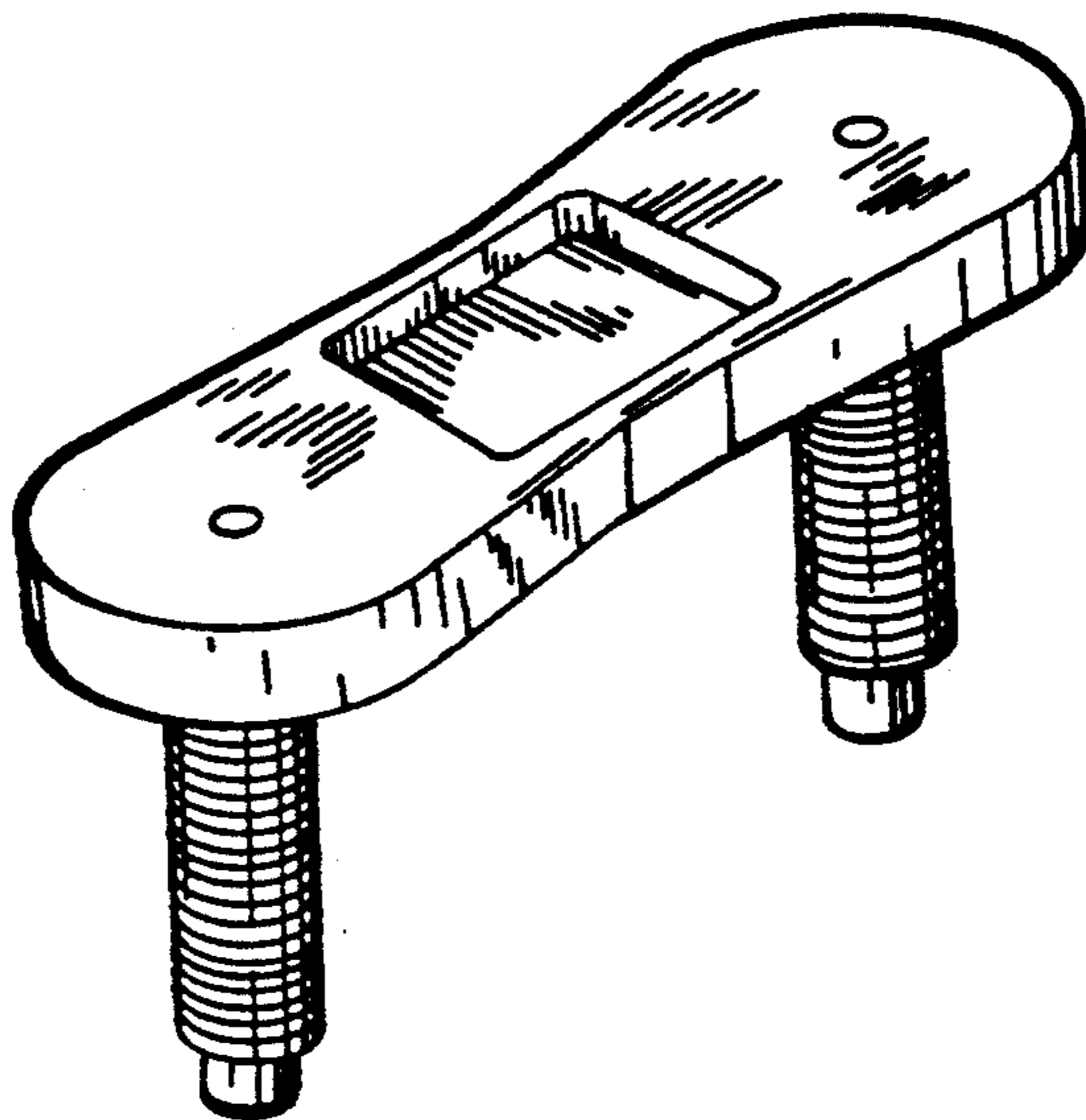
- D. 294,676 3/1988 Egner et al. D8/387
- 1,271,935 7/1918 Paul 411/89
- 1,867,354 7/1932 Dickson .
- 2,250,580 7/1941 Gregory .
- 2,860,082 11/1958 Murdock et al. .
- 2,933,006 4/1960 Gibb .
- 3,485,132 12/1969 Hanny et al. .
- 3,584,667 6/1971 Reiland .
- 3,618,444 11/1971 Kay et al. .
- 3,693,495 9/1972 Wagner .
- 3,705,931 12/1972 Confer et al. .
- 3,897,712 8/1975 Black .
- 4,154,138 5/1979 Melone 85/1 JP
- 4,211,048 7/1980 Naka 52/700
- 4,536,116 8/1985 Murray 411/82

[57] CLAIM

The ornamental design for a mounting plate, as shown and described.

DESCRIPTION

FIG. 1 is a perspective view of a mounting plate which embodies my design;
 FIG. 2 is a top plan view thereof;
 FIG. 3 is a right side elevational view thereof, the left side view being a mirror image thereof;
 FIG. 4 is a front elevational view thereof, the rear elevational view being a mirror image thereof;
 FIG. 5 is a bottom plan view thereof;
 FIG. 6 is a sectional view of the mounting plate taken along lines 6—6 of FIG. 2; and,
 FIG. 7 is a sectional view of the mounting plate taken along lines 7—7 of FIG. 2.



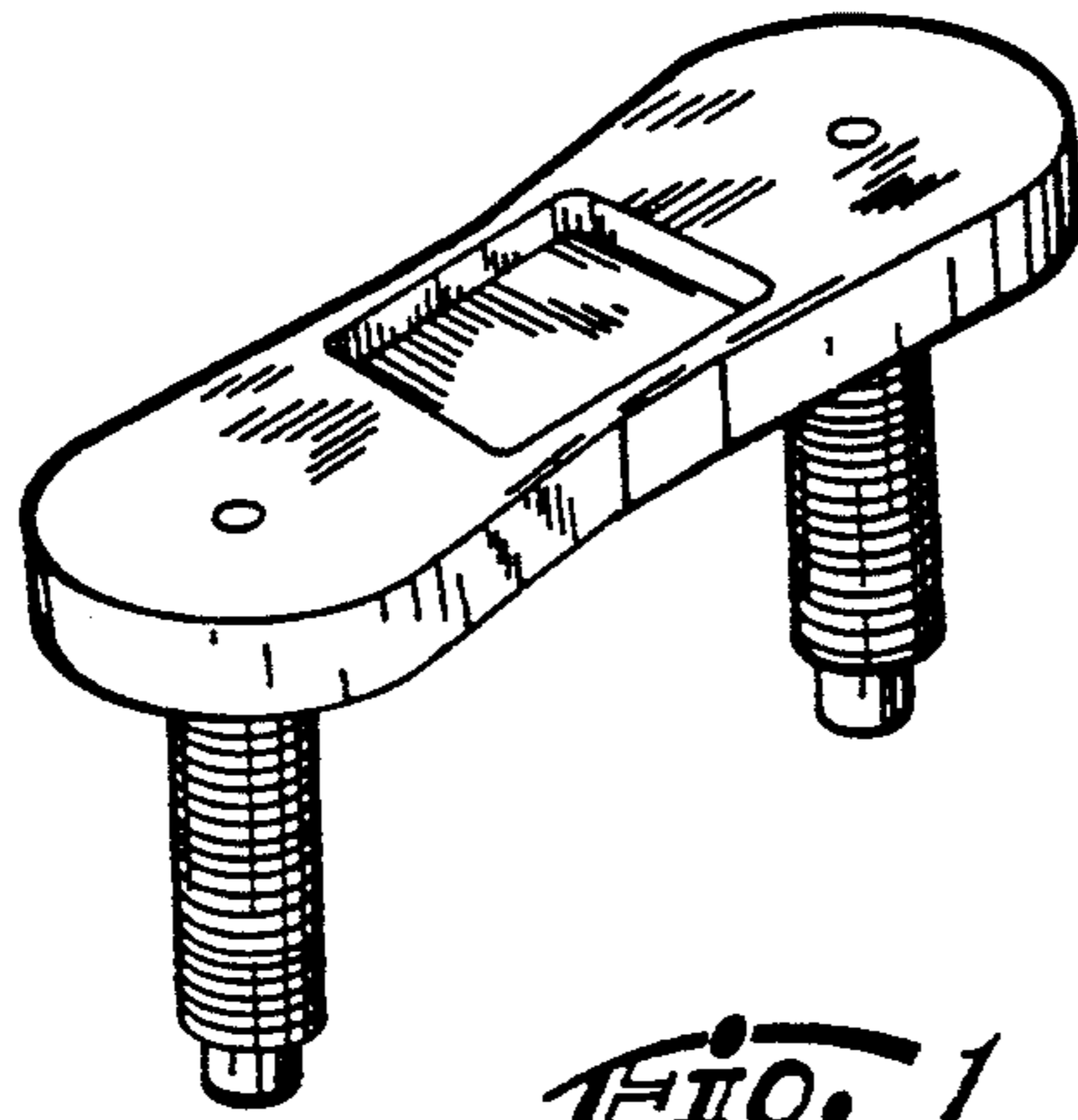


FIG. 1

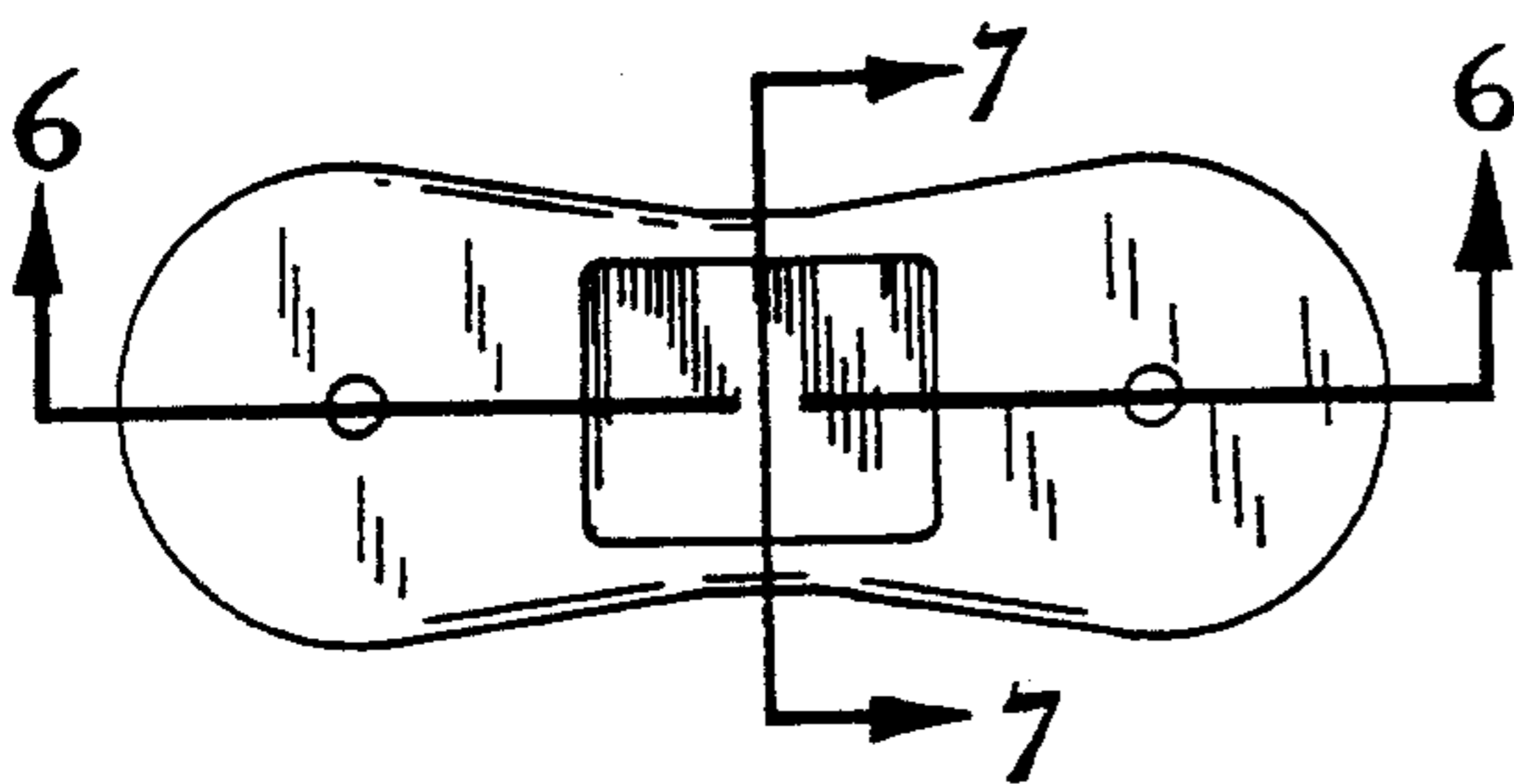


FIG. 2

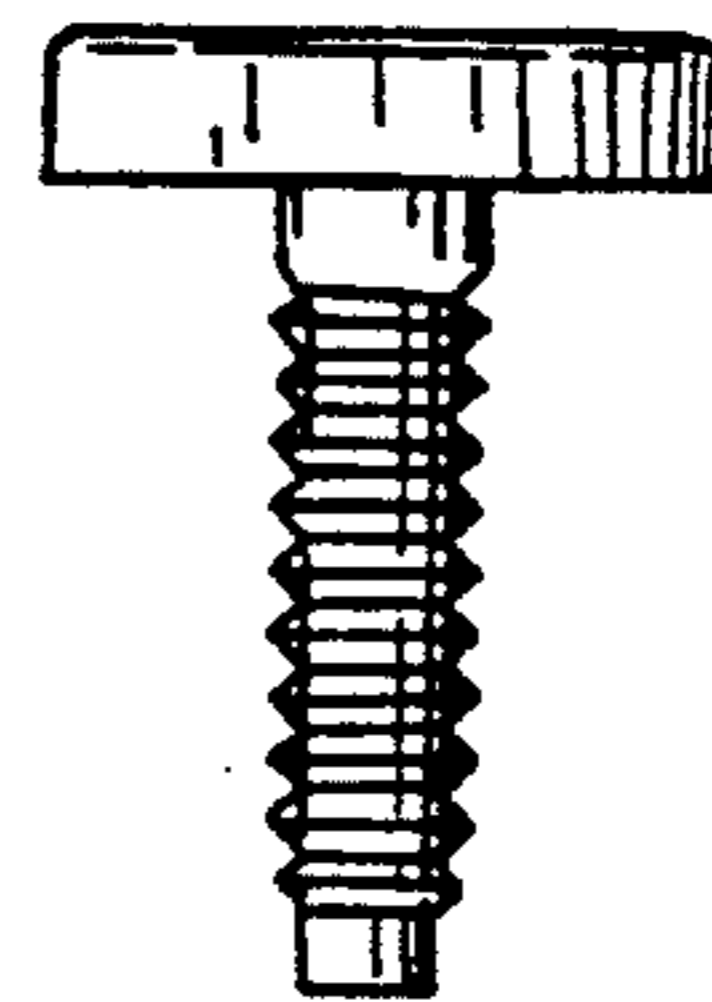


FIG. 4

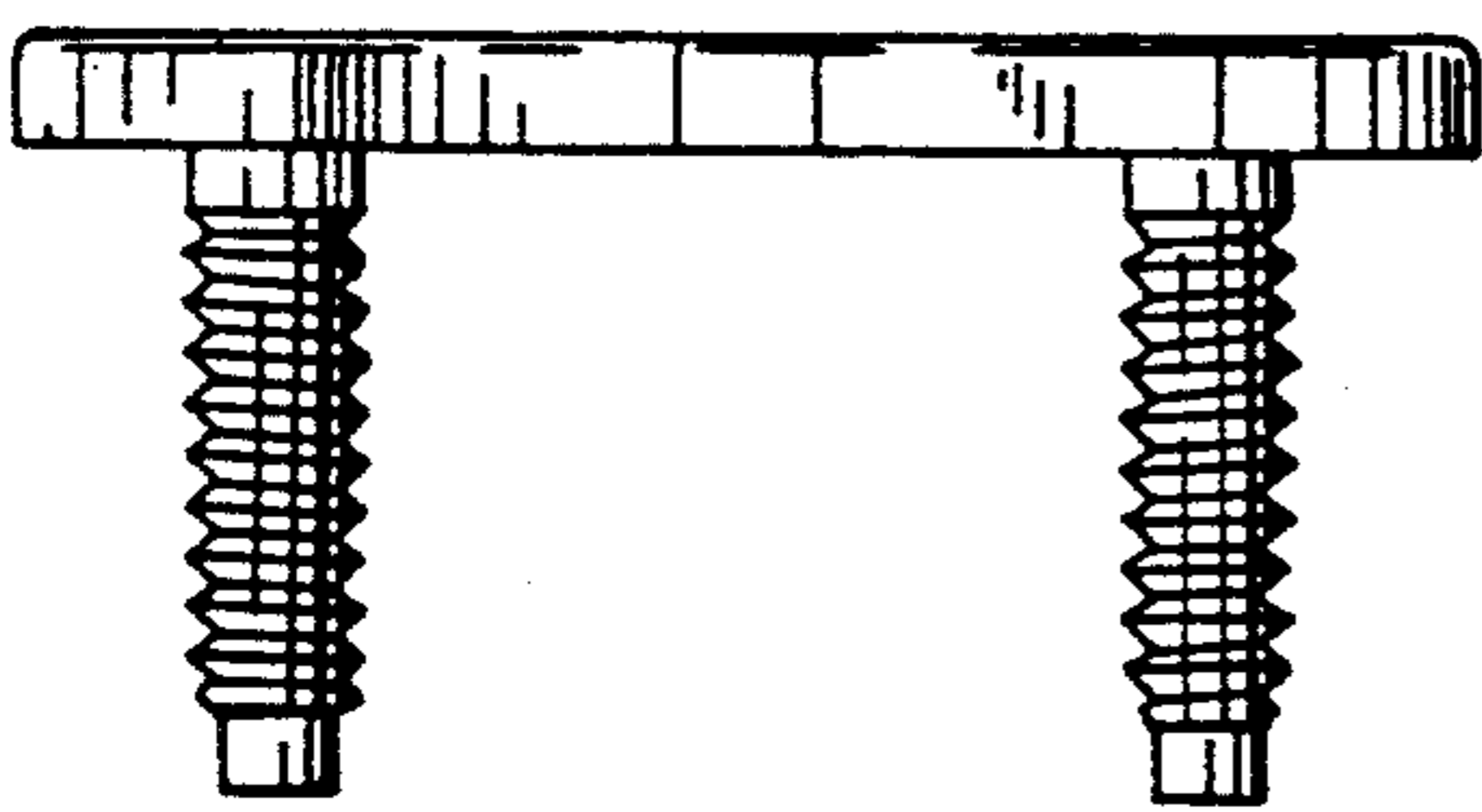


FIG. 3

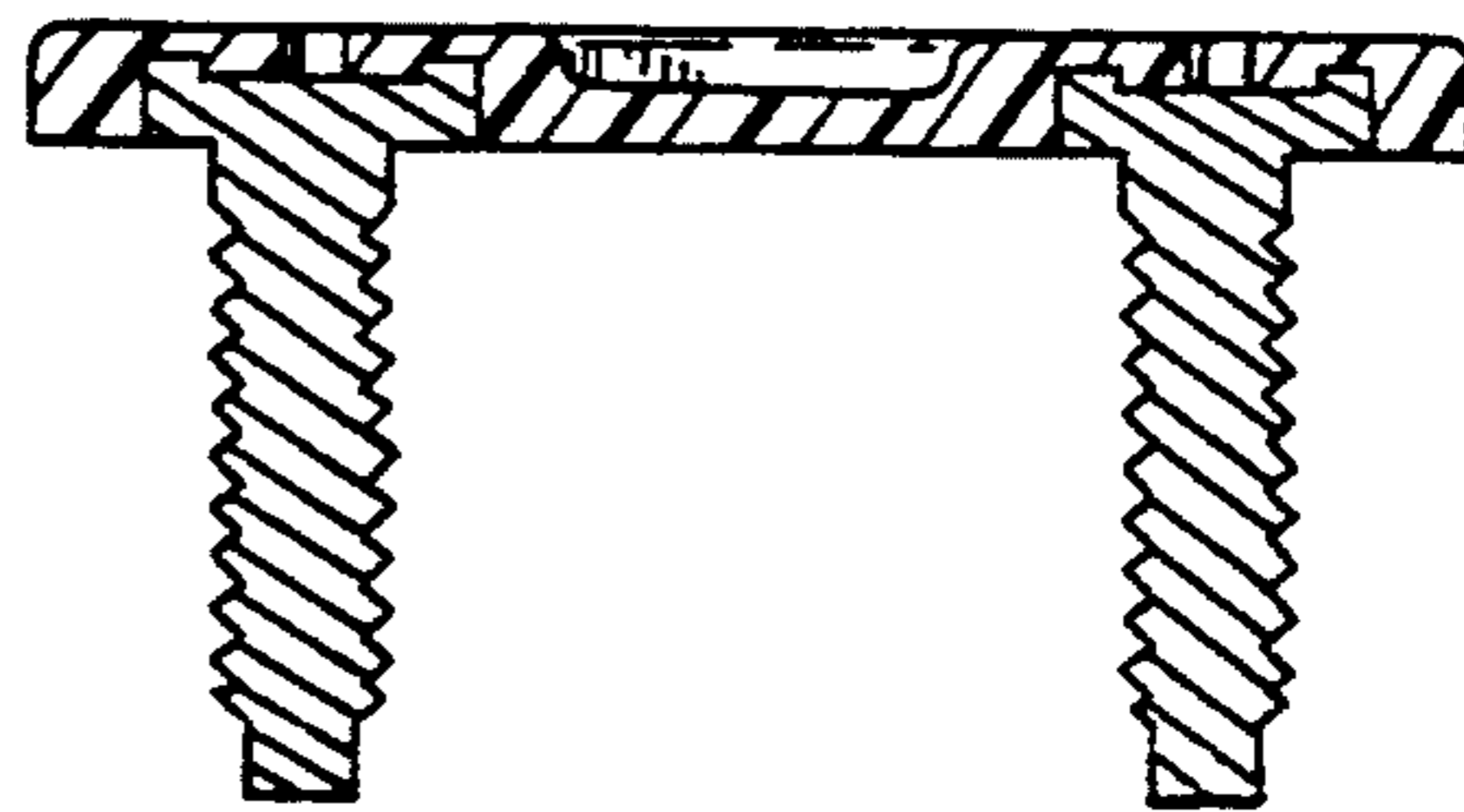


FIG. 6

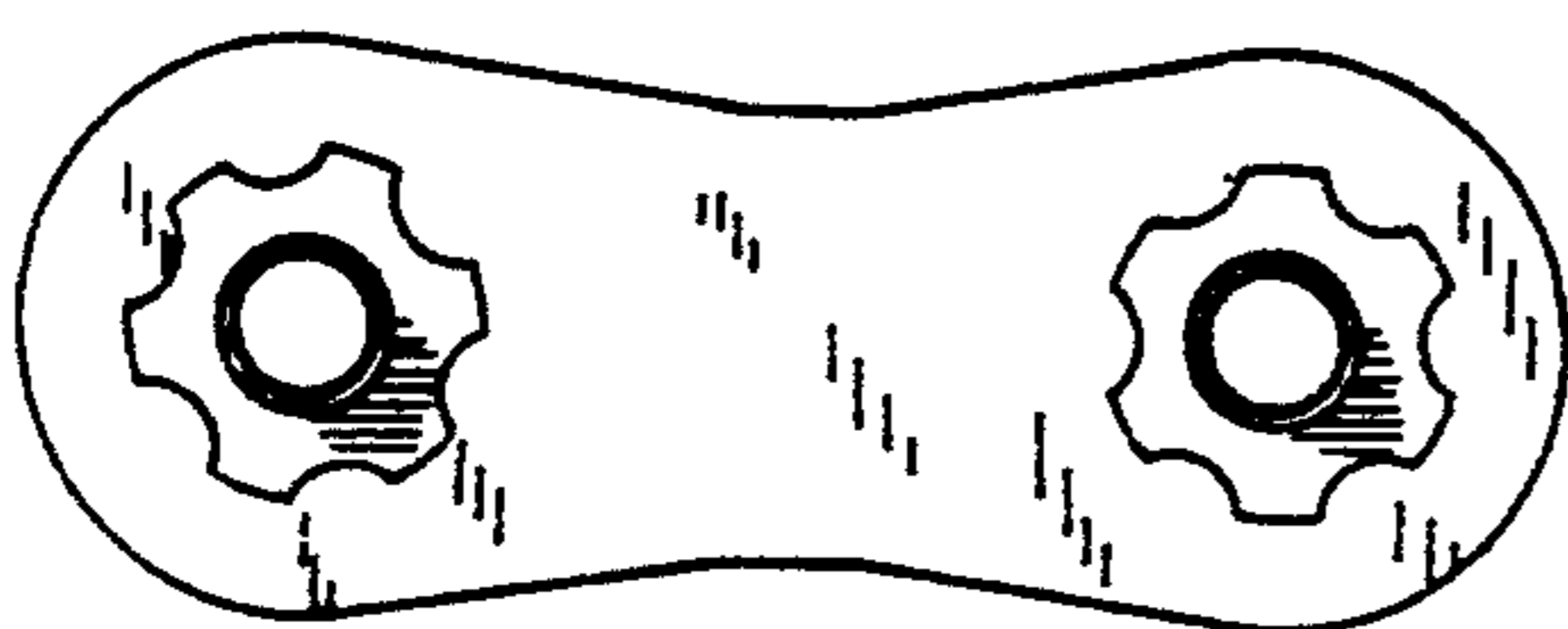


FIG. 5

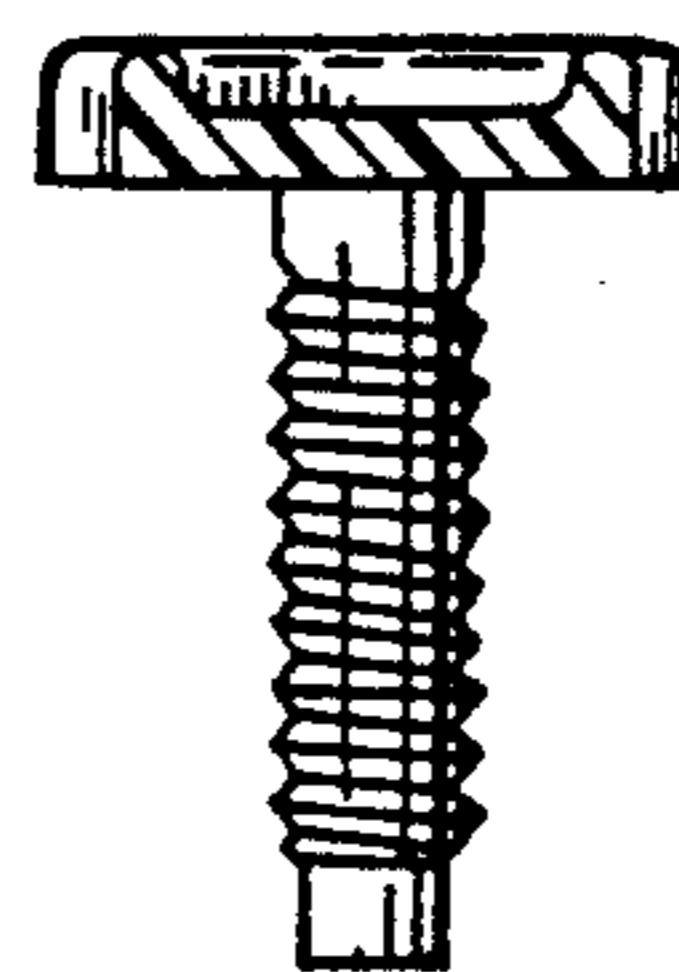


FIG. 7