



US00D356727S

# United States Patent [19]

[11] Patent Number: **Des. 356,727**

Scholl

[45] Date of Patent: **\*\* Mar. 28, 1995**

[54] **COMBINED CONTAINER AND HANGER**

[56] **References Cited**

[75] Inventor: **Winfried Scholl, Düsseldorf, Germany**

**U.S. PATENT DOCUMENTS**

D. 249,226 5/1978 Hills et al. .... D8/367  
D. 300,604 4/1989 Nakamura ..... D8/373 X

[73] Assignee: **Hewi Heinrich Wilke GmbH, Arolsen, Germany**

*Primary Examiner*—Wallace R. Burke  
*Assistant Examiner*—H. Baynham  
*Attorney, Agent, or Firm*—Michael J. Striker

[\*\*] Term: **14 Years**

[57] **CLAIM**

The ornamental design for a combined container and holder, as shown and described.

[21] Appl. No.: **10,710**

**DESCRIPTION**

[22] Filed: **Jul. 15, 1993**

FIG. 1 is a perspective view of a combined container and hanger showing my new design, which is a mirror image of the opposite perspective view thereof;

[30] **Foreign Application Priority Data**

Jan. 15, 1993 [DE] Germany ..... M9300425.7

[52] U.S. Cl. .... **D8/367**

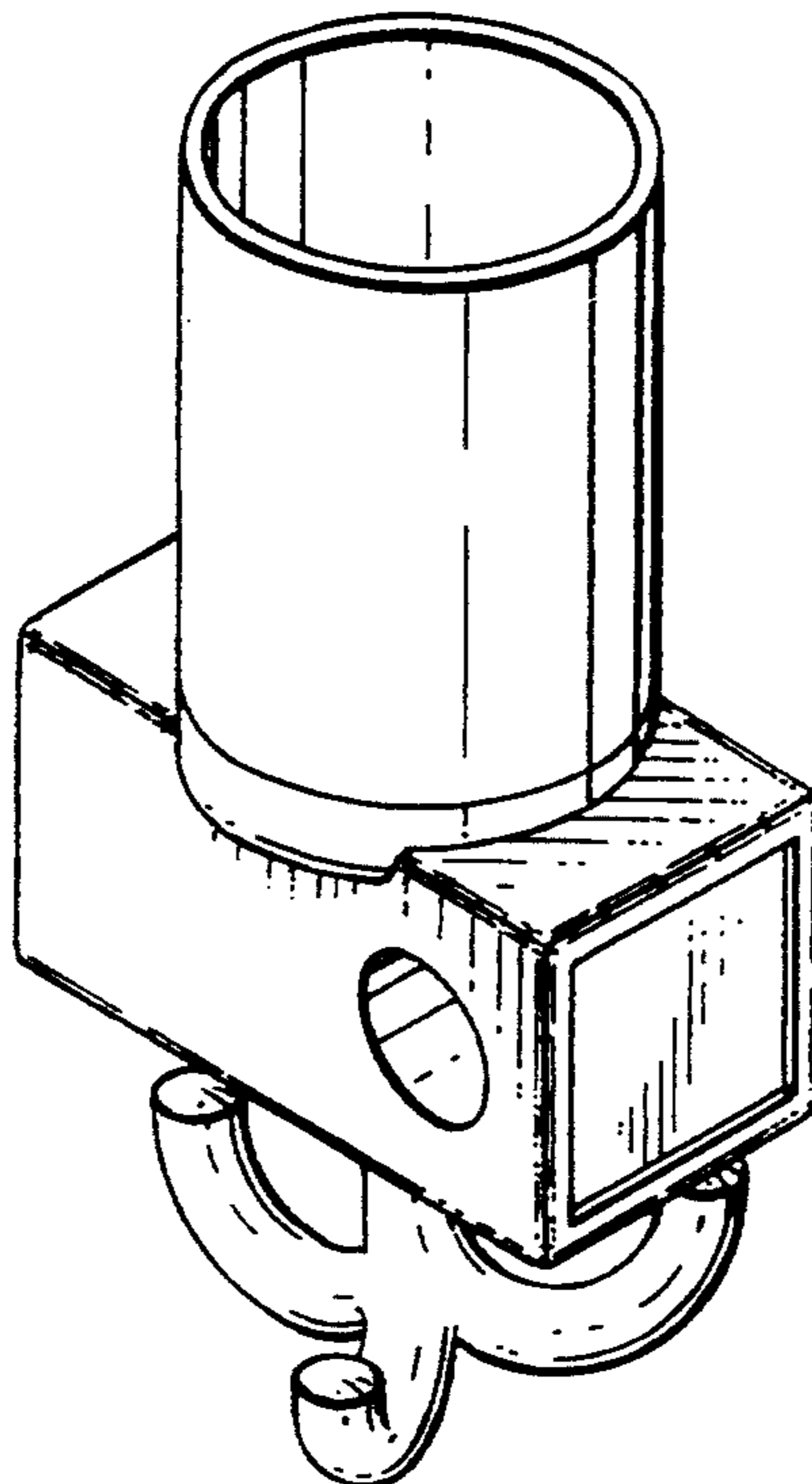
FIG. 2 is a front plan view thereof;

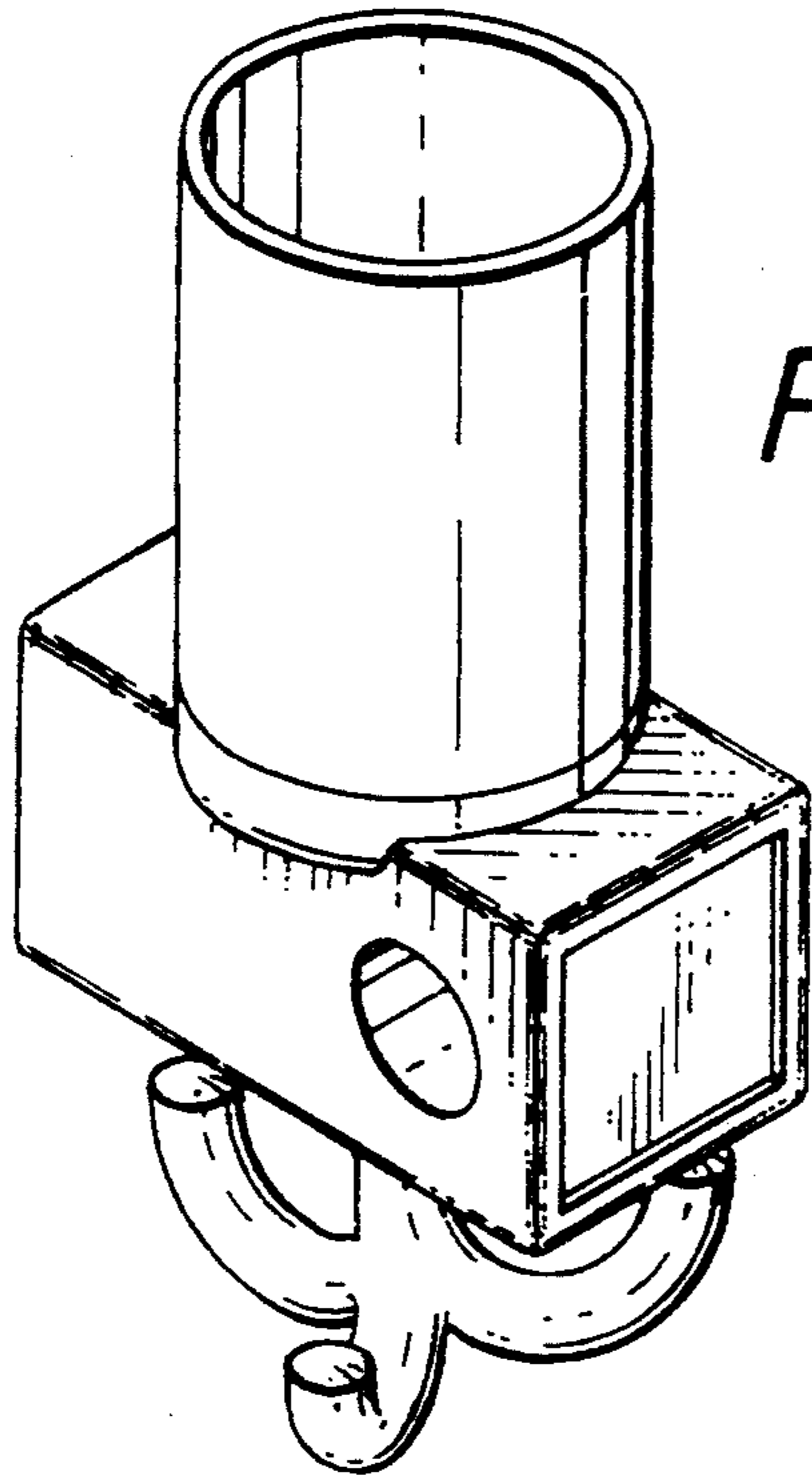
FIG. 3 is a side view thereof, which is a mirror image of the opposite side; and,

[58] Field of Search ..... D8/367, 373; 248/339, 248/302-303; D6/323, 325-326, 534, 526-527

FIG. 4 is a top plan view thereof.

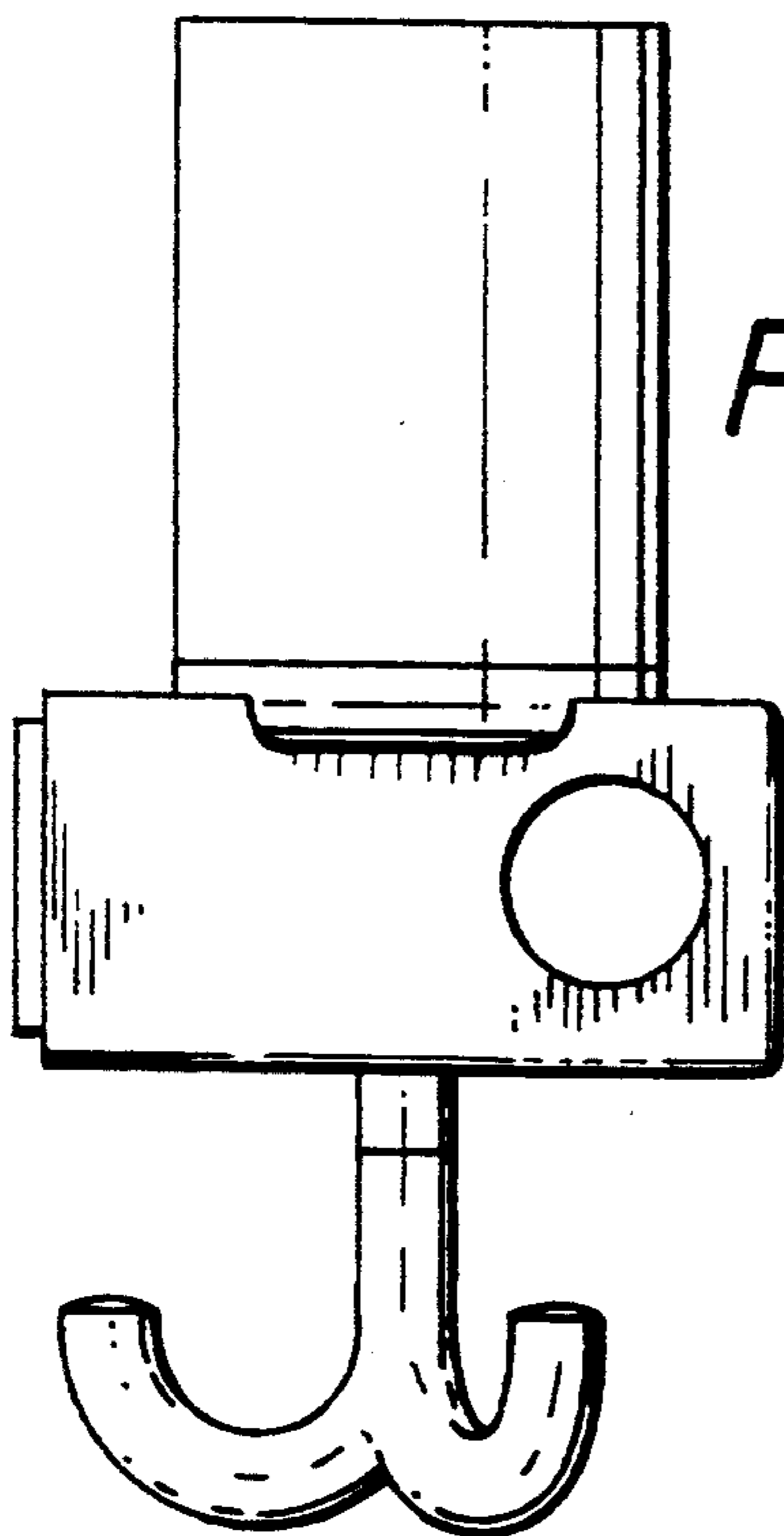
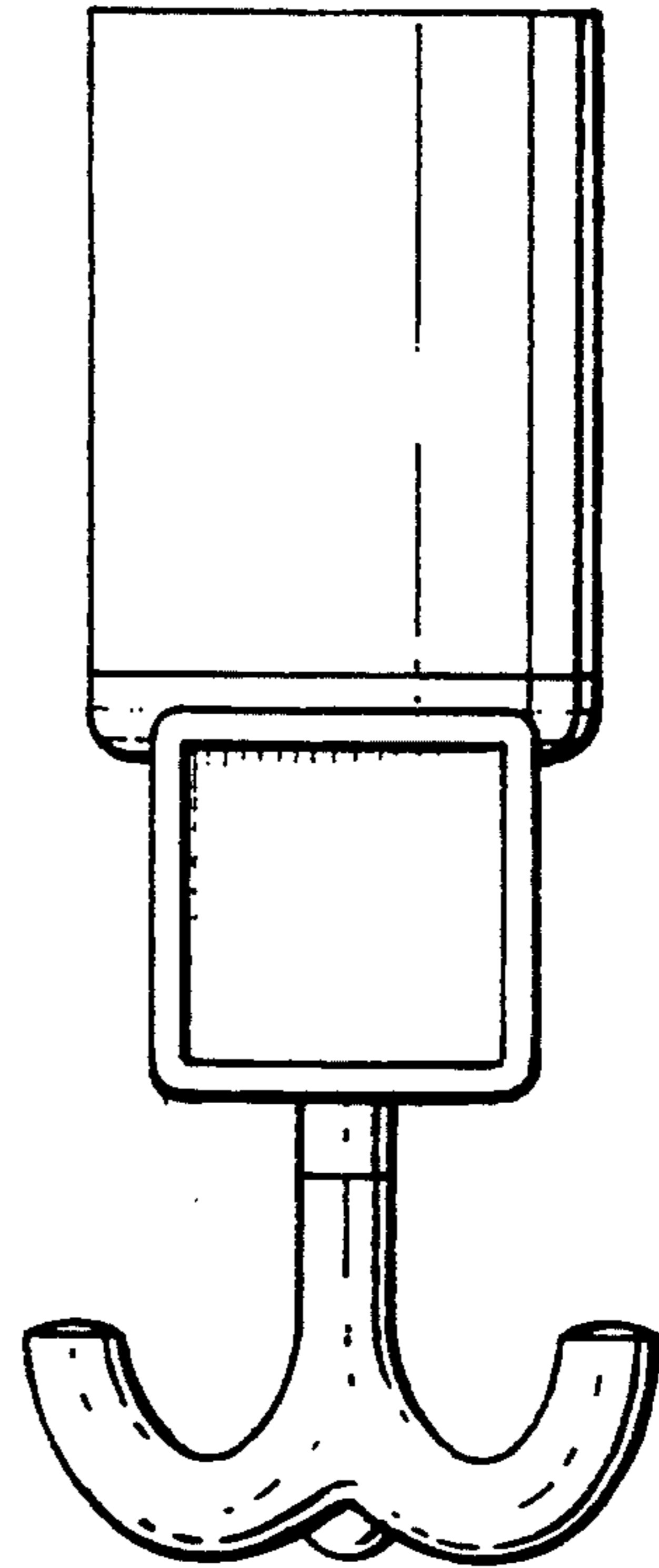
Any undisclosed surface is without ornament.





*Fig. 1.*

*Fig. 2.*



*Fig. 3.*

*Fig. 4.*

