



US00D356722S

# United States Patent [19]

Tessman

[11] Patent Number: Des. 356,722

[45] Date of Patent: \*\* Mar. 28, 1995

- [54] CLAMP
- [75] Inventor: Alan O. Tessman, Sherwood, Oreg.
- [73] Assignee: Pull-It Corporation, Beaverton, Oreg.
- [\*] Notice: The portion of the term of this patent subsequent to Sep. 20, 2008 has been disclaimed.
- [\*\*] Term: 14 Years
- [21] Appl. No.: 8,893
- [22] Filed: May 28, 1993
- [52] U.S. Cl. .... D8/72
- [58] Field of Search ..... D8/71, 72, 73; D15/140; 72/311, 325, 705, 457, 479; 294/116; 269/90, 95, 114, 251, 243, 160

- 4,037,456 7/1977 Jarman ..... 294/116
- 4,457,159 7/1984 Jarman et al. .... 294/116

### OTHER PUBLICATIONS

"The Original Mo-Clamp," Catalog dated Feb., 1993, 34 pages.

*Primary Examiner*—Alan P. Douglas  
*Assistant Examiner*—Jeffrey H. Musgrove  
*Attorney, Agent, or Firm*—Klarquist Sparkman Campbell Leigh & Whinston

### [57] CLAIM

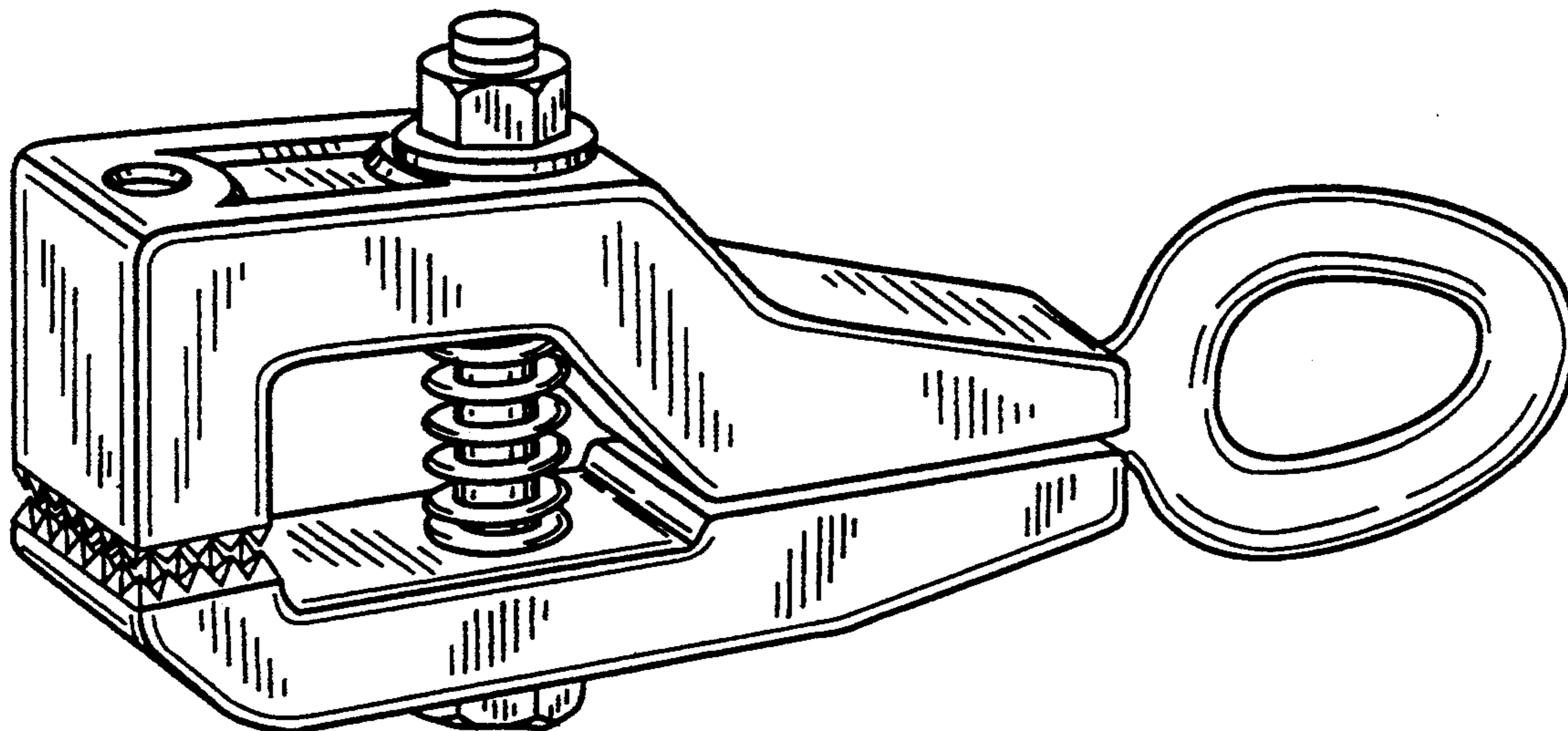
The ornamental design for a clamp, as shown and described.

### DESCRIPTION

FIG. 1 is a perspective view of a clamp showing my new design;  
FIG. 2 is a top plan view of the invention;  
FIG. 3 is a side view of the invention (the left and right side views are mirror images);  
FIG. 4 is a bottom view of the invention;  
FIG. 5 is a front view of the invention; and,  
FIG. 6 is a rear view of the invention.

### [56] References Cited U.S. PATENT DOCUMENTS

- D. 214,273 5/1969 Bricker ..... D8/72
- D. 300,748 4/1989 Jarman et al. .... D8/72
- D. 328,845 8/1992 Yuder ..... D8/72



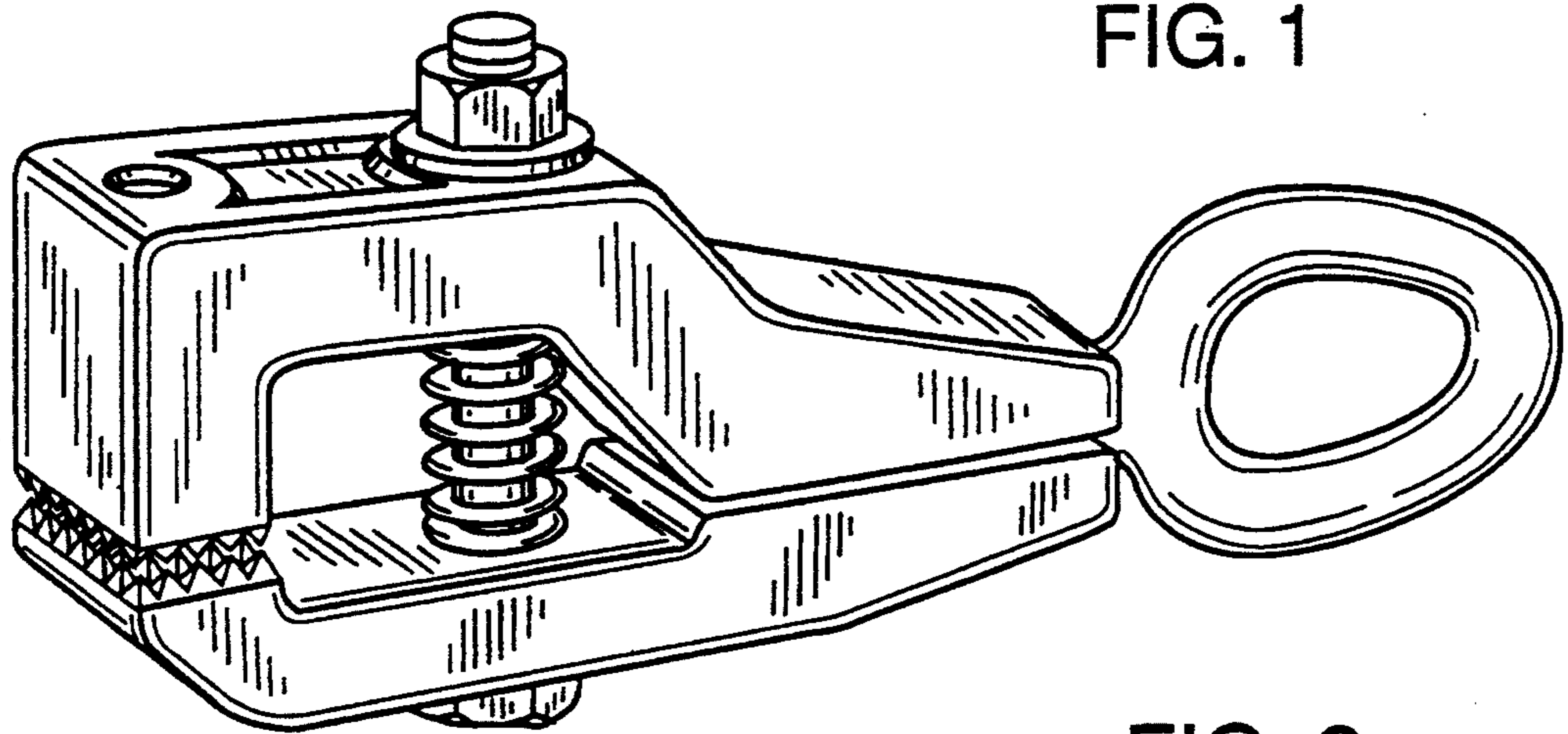


FIG. 1



FIG. 2

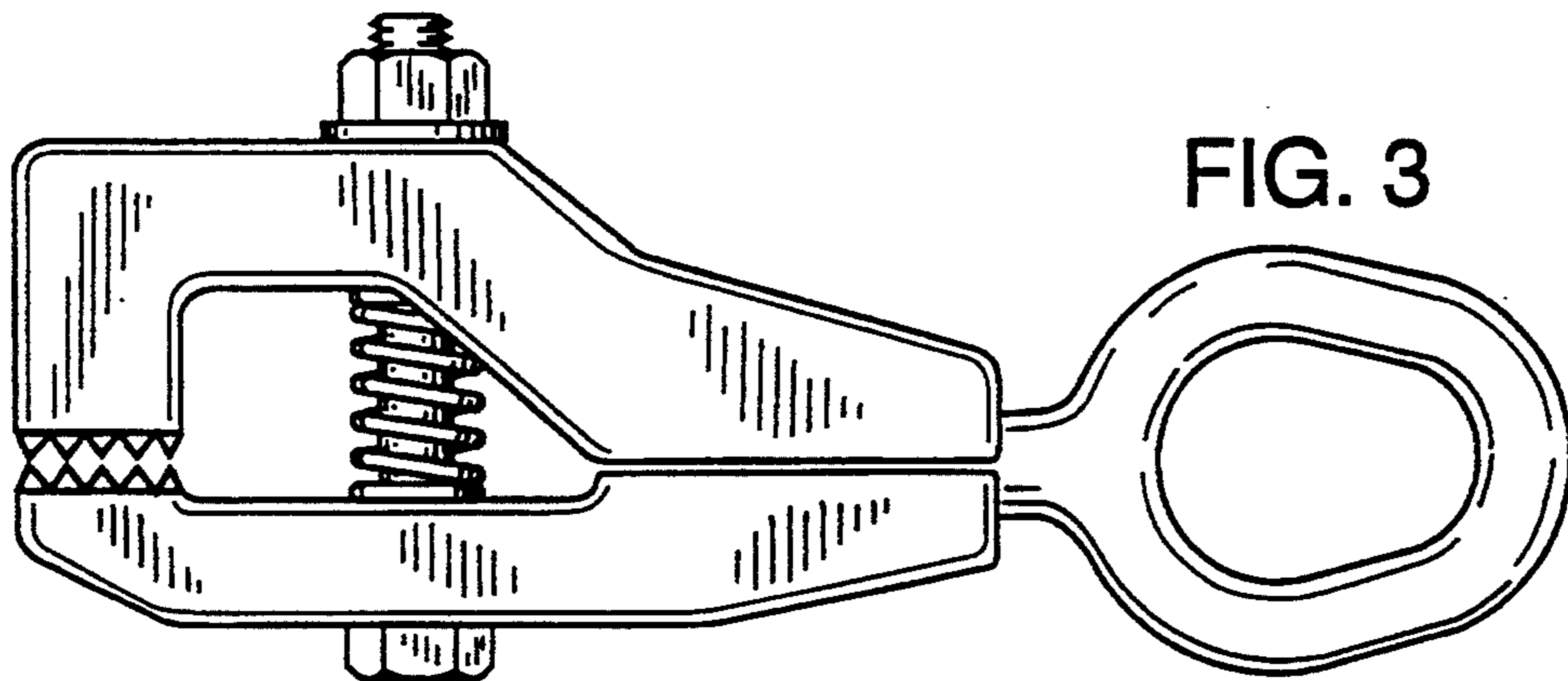


FIG. 3

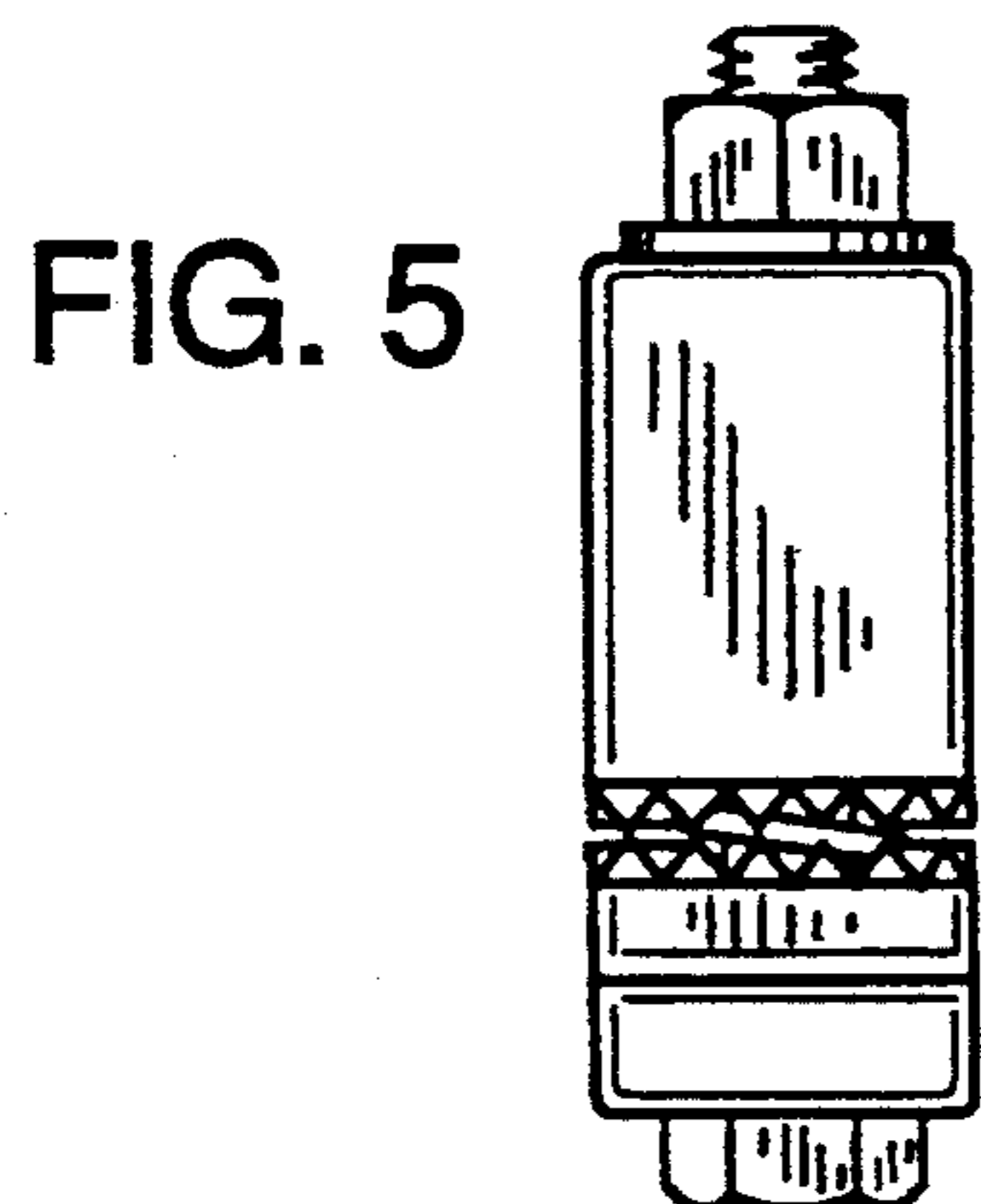


FIG. 5

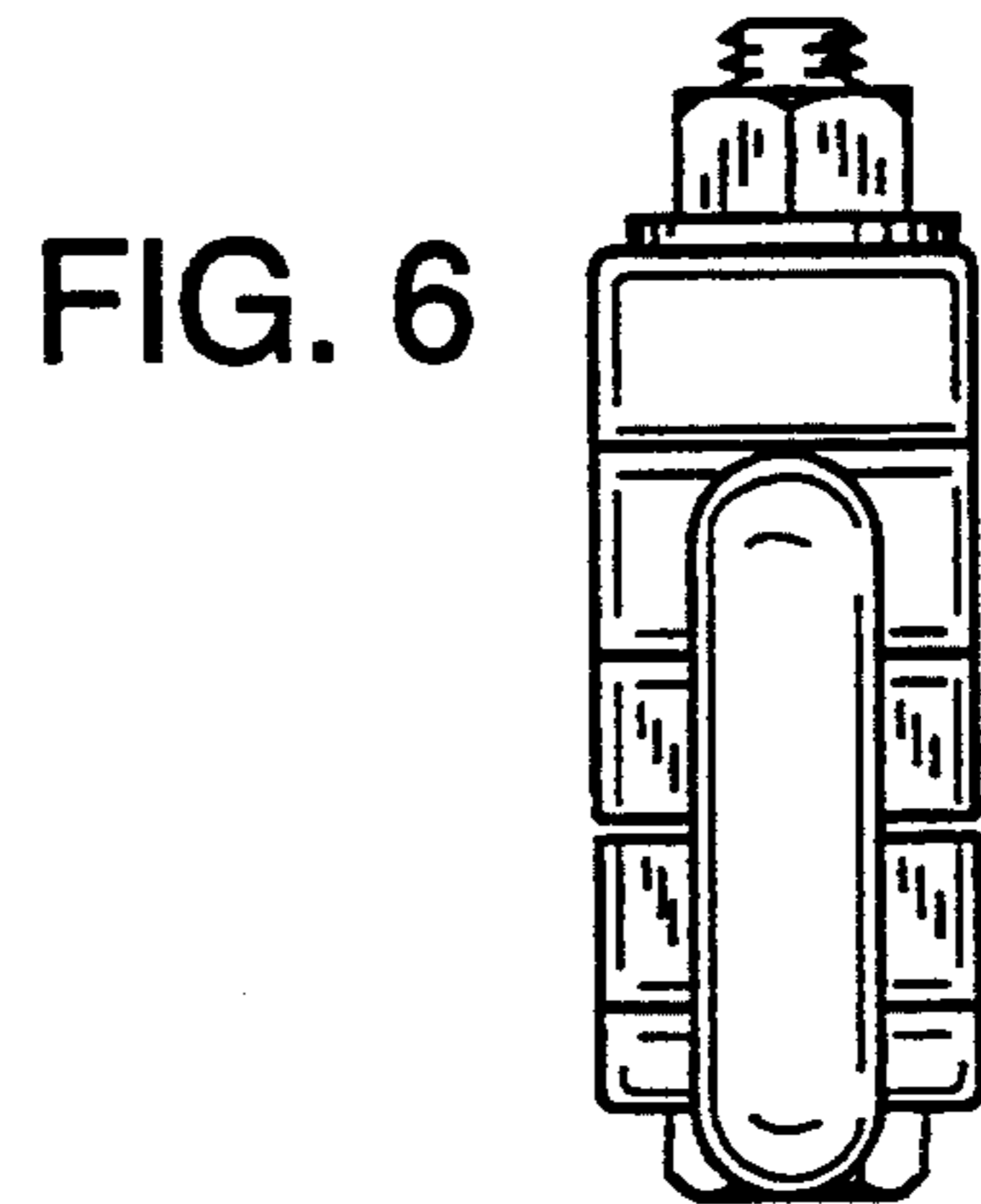


FIG. 6