



US00D356720S

United States Patent [19]

[11] Patent Number: **Des. 356,720**

Hochfeld et al.

[45] Date of Patent: **** Mar. 28, 1995**

[54] **STAPLE REMOVER**

[75] Inventors: **Stanley Hochfeld**, Howard Beach;
Robert Perlmutter, 86-41 Marengo
St., Holliswood, Queens, N.Y. 11423

[73] Assignee: **Robert Perlmutter**, Holliswood, N.Y.

[**] Term: **14 Years**

[21] Appl. No.: **21,390**

[22] Filed: **Apr. 15, 1994**

910,173 1/1909 Cochran 254/28
3,625,482 12/1971 Viel, III 254/28
5,090,663 2/1992 Crutchfield et al. 254/28

FOREIGN PATENT DOCUMENTS

3-287386 12/1991 Japan 254/28

Primary Examiner—Bernard Ansher
Assistant Examiner—Adir Aronovich
Attorney, Agent, or Firm—Frishauf, Holtz, Goodman &
Woodward

[57] **CLAIM**

The ornamental design for a staple remover, as shown and described.

DESCRIPTION

FIG. 1 is a top, right side perspective view of a staple remover showing our new design;
FIG. 2 is a top plan view thereof;
FIG. 3 is a right side view thereof, the left side view being a mirror image thereof;
FIG. 4 is a bottom plan view thereof;
FIG. 5 is a front end view thereof; and,
FIG. 6 is a rear end view thereof.

Related U.S. Application Data

[62] Division of Ser. No. 13,718, Sep. 30, 1993, which is a division of Ser. No. 695,237, May 3, 1991, Pat. No. Des. 342,656.

[52] U.S. Cl. **D8/48**

[58] Field of Search **D8/14, 48; 254/28**

[56] **References Cited**

U.S. PATENT DOCUMENTS

D. 183,081 6/1958 Barton D8/48
D. 295,362 4/1988 Furman D8/48

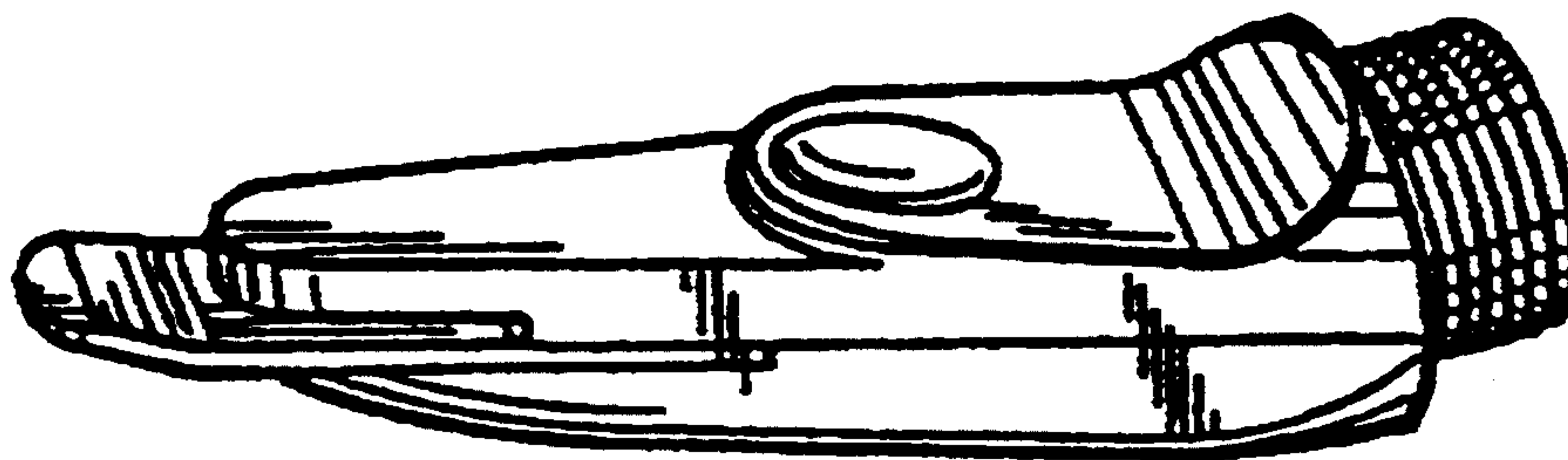


Fig. 1

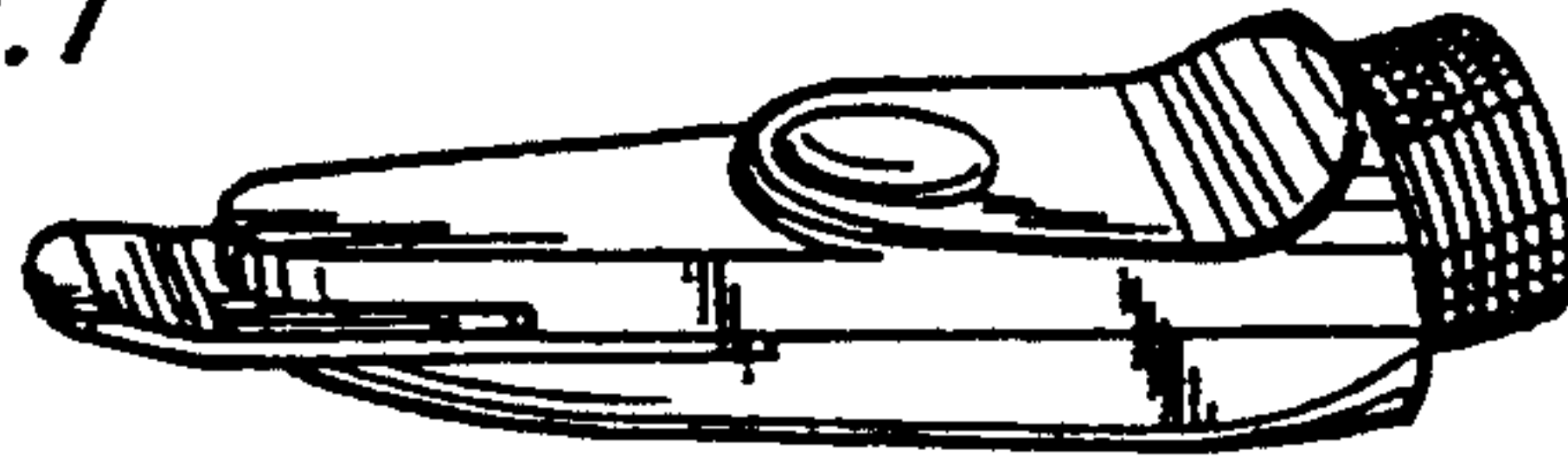


Fig. 2

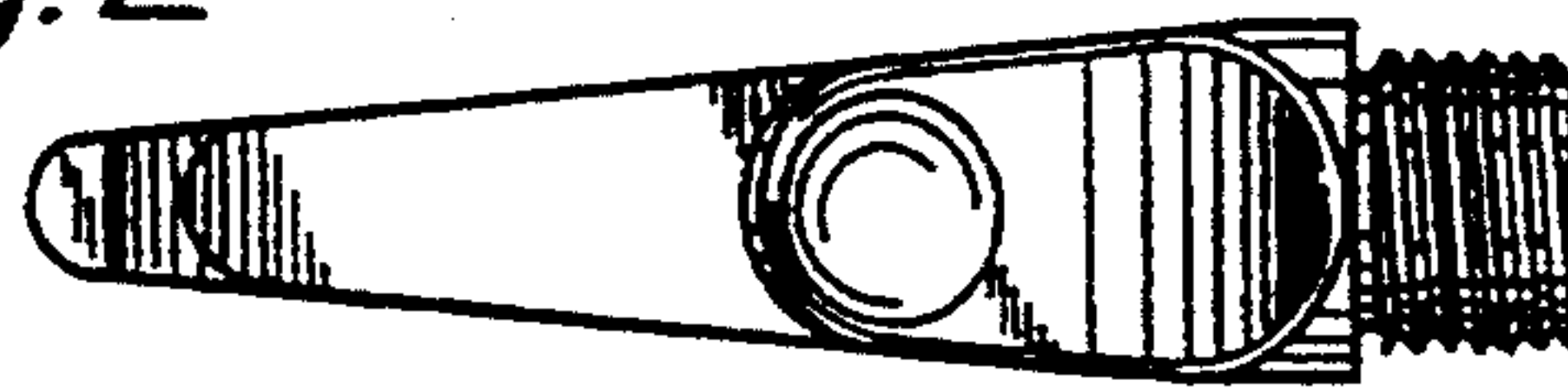


Fig. 3

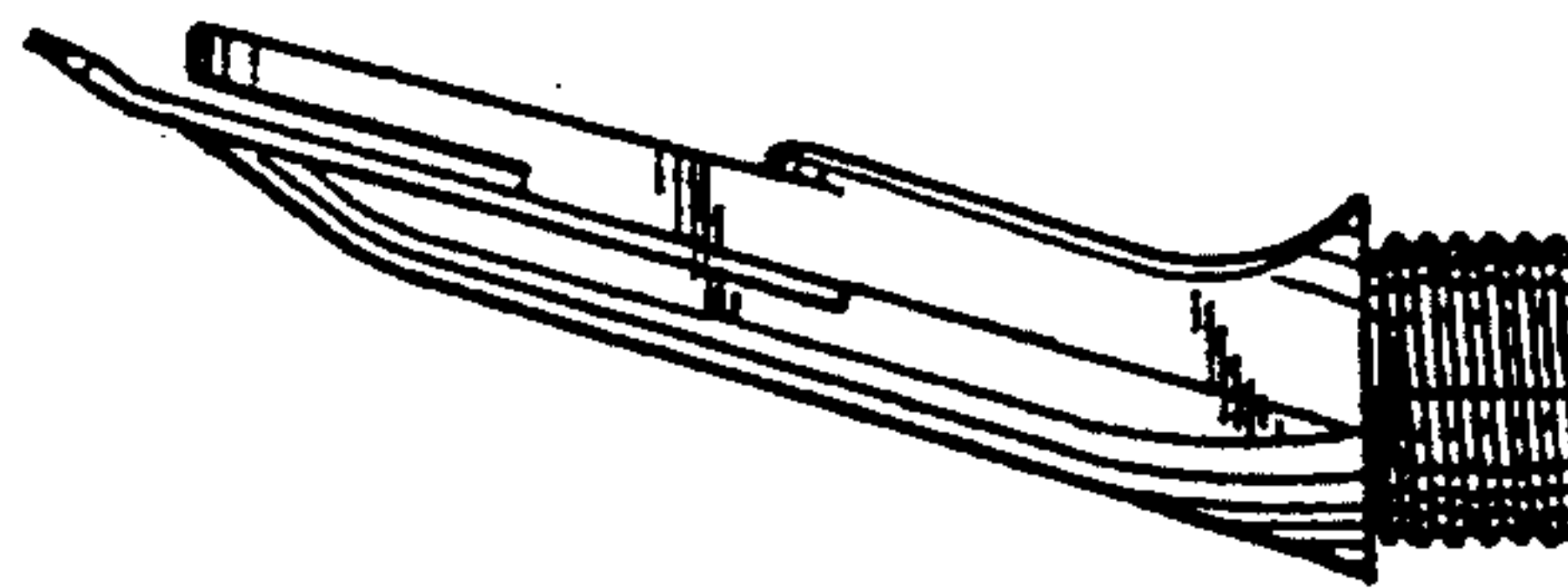


Fig. 4

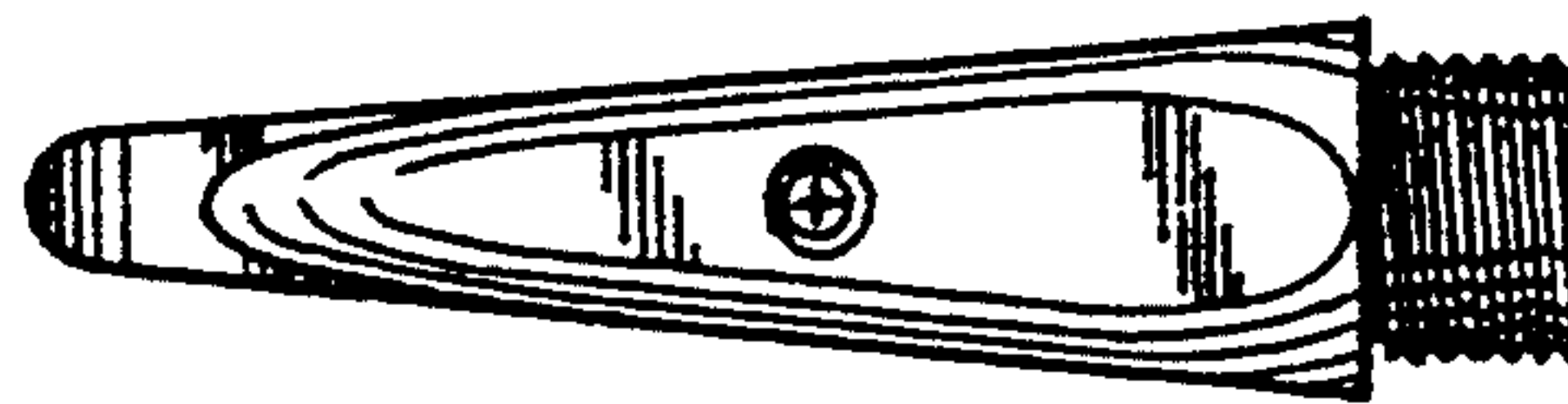


Fig. 5

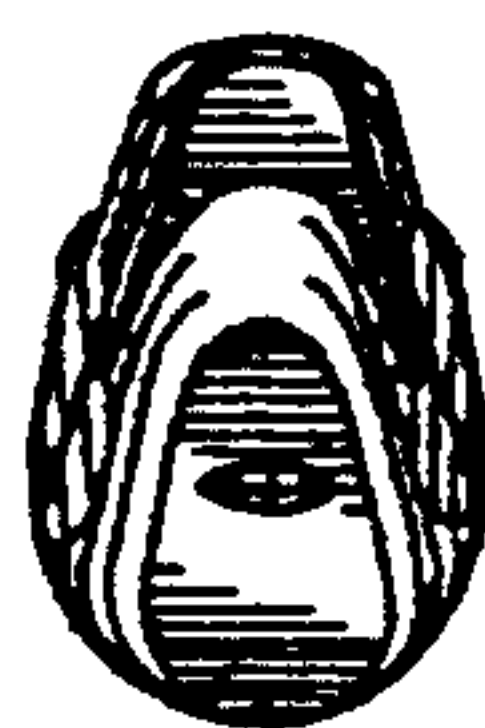


Fig. 6

