



US00D356717S

United States Patent [19] Smith

[11] Patent Number: **Des. 356,717**
[45] Date of Patent: **** Mar. 28, 1995**

[54] **PIZZA CONTAINER**
[76] Inventor: **Mitch Smith**, 1002 Summit Trail,
Escondido, Calif. 92025
[**] Term: **14 Years**
[21] Appl. No.: **4,745**
[22] Filed: **Feb. 12, 1993**
[52] U.S. Cl. **D7/610; D9/428;**
D7/540; D7/629
[58] Field of Search **D7/608, 610, 540;**
D21/85-86; D9/428; 206/457, 550-551;
220/4.21; 273/424; 446/46-47, 69

3,335,846 5/1965 Mills .
3,359,678 11/1965 Headrick .
4,204,357 5/1980 Harrington D21/86
4,205,484 6/1980 Kovac et al. .
4,212,131 7/1980 Ross, Jr. .
4,848,543 7/1989 Doboze 206/551 X
4,886,162 12/1989 Ambrogio 220/4.21 X

Primary Examiner—Terry A. Wallace
Attorney, Agent, or Firm—Lewis E. Massie

[57] CLAIM

The ornamental design for a pizza container, as shown.

DESCRIPTION

FIG. 1 is a front elevational view of a pizza container showing my new design;
FIG. 2 is a front elevational view taken along the line 2-2 of FIG. 1;
FIG. 3 is a top plan view thereof; and,
FIG. 4 is a bottom view thereof.

[56] **References Cited**
U.S. PATENT DOCUMENTS
183,626 9/1930 Morrison .
D. 272,751 2/1984 Brackmann D21/86
D. 292,176 10/1987 Kuerti D7/540 X

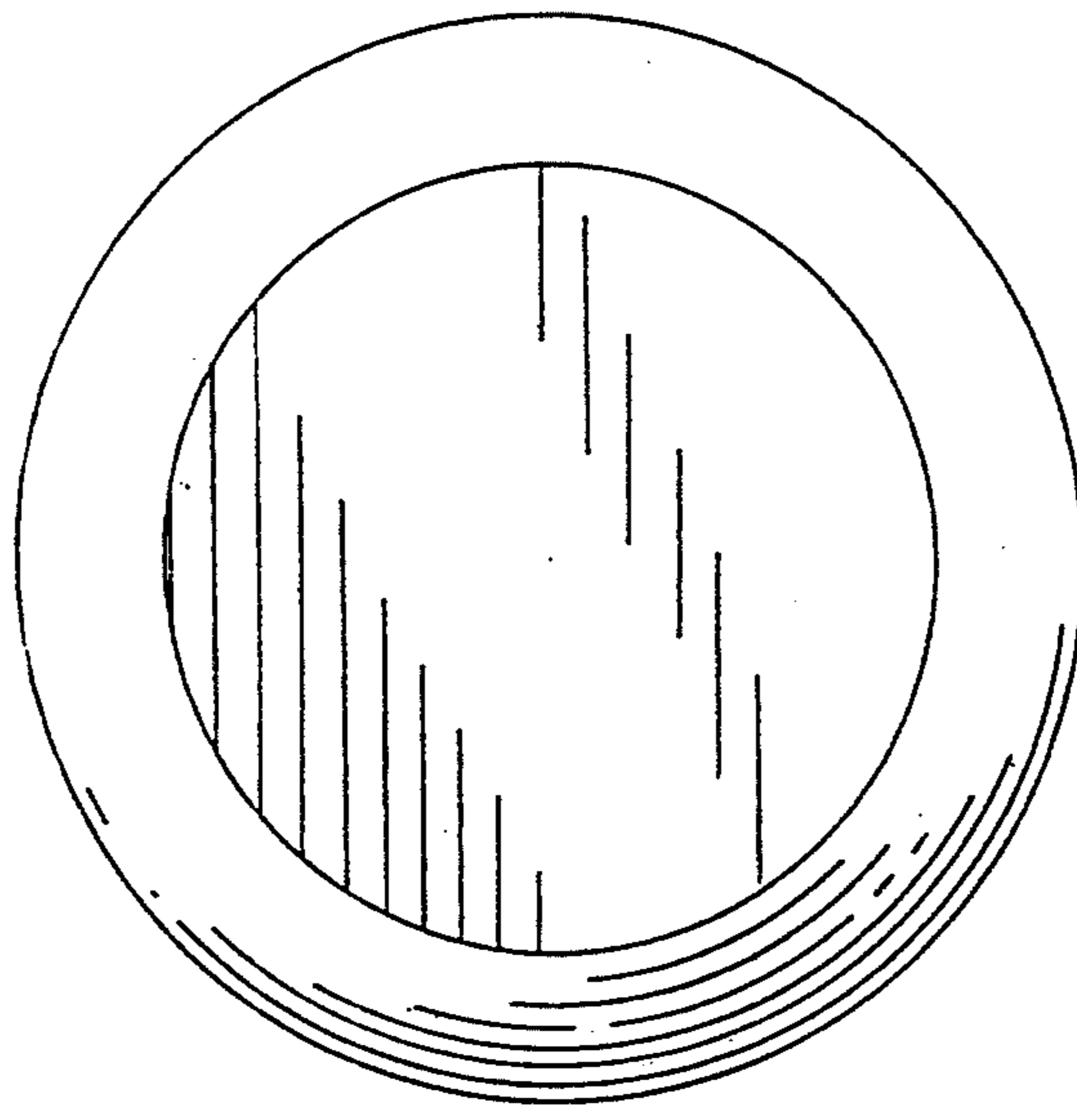
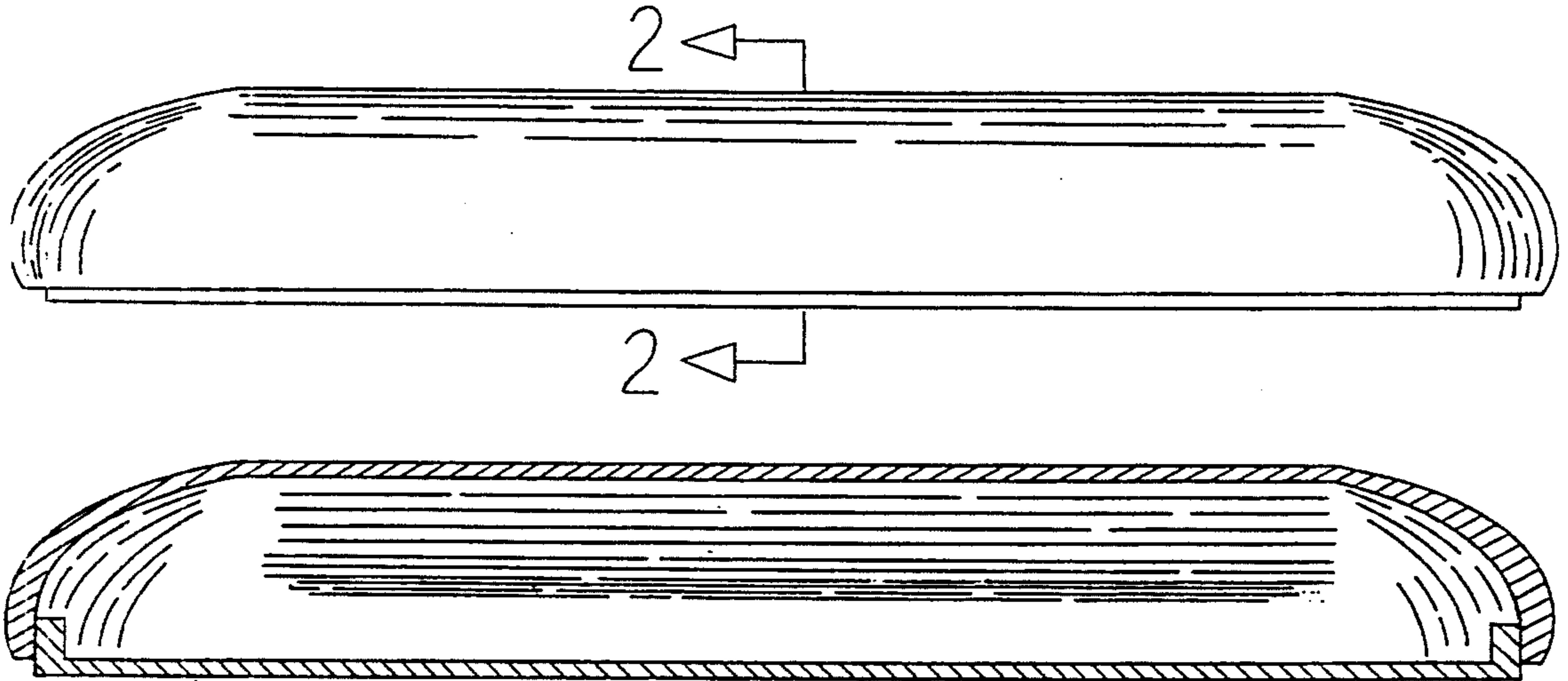
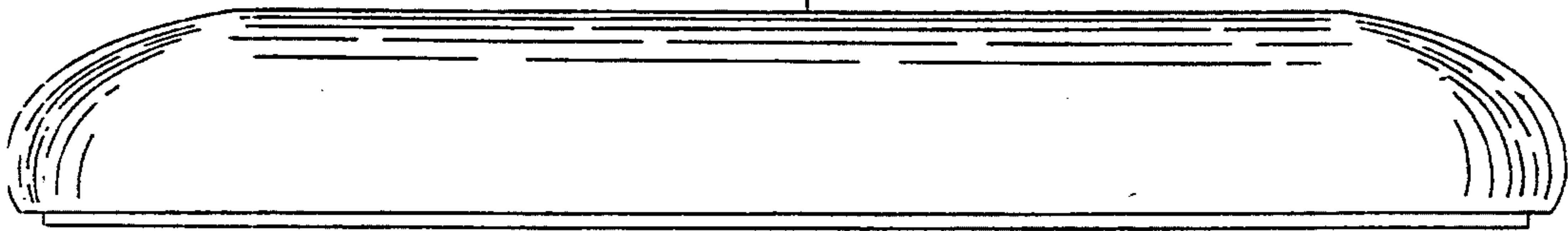


FIG. 1

2 ←



2 ←

FIG. 2

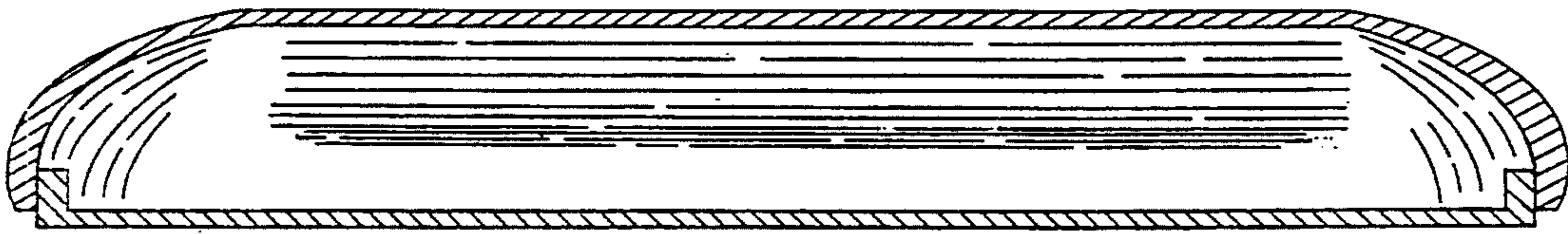


FIG. 3

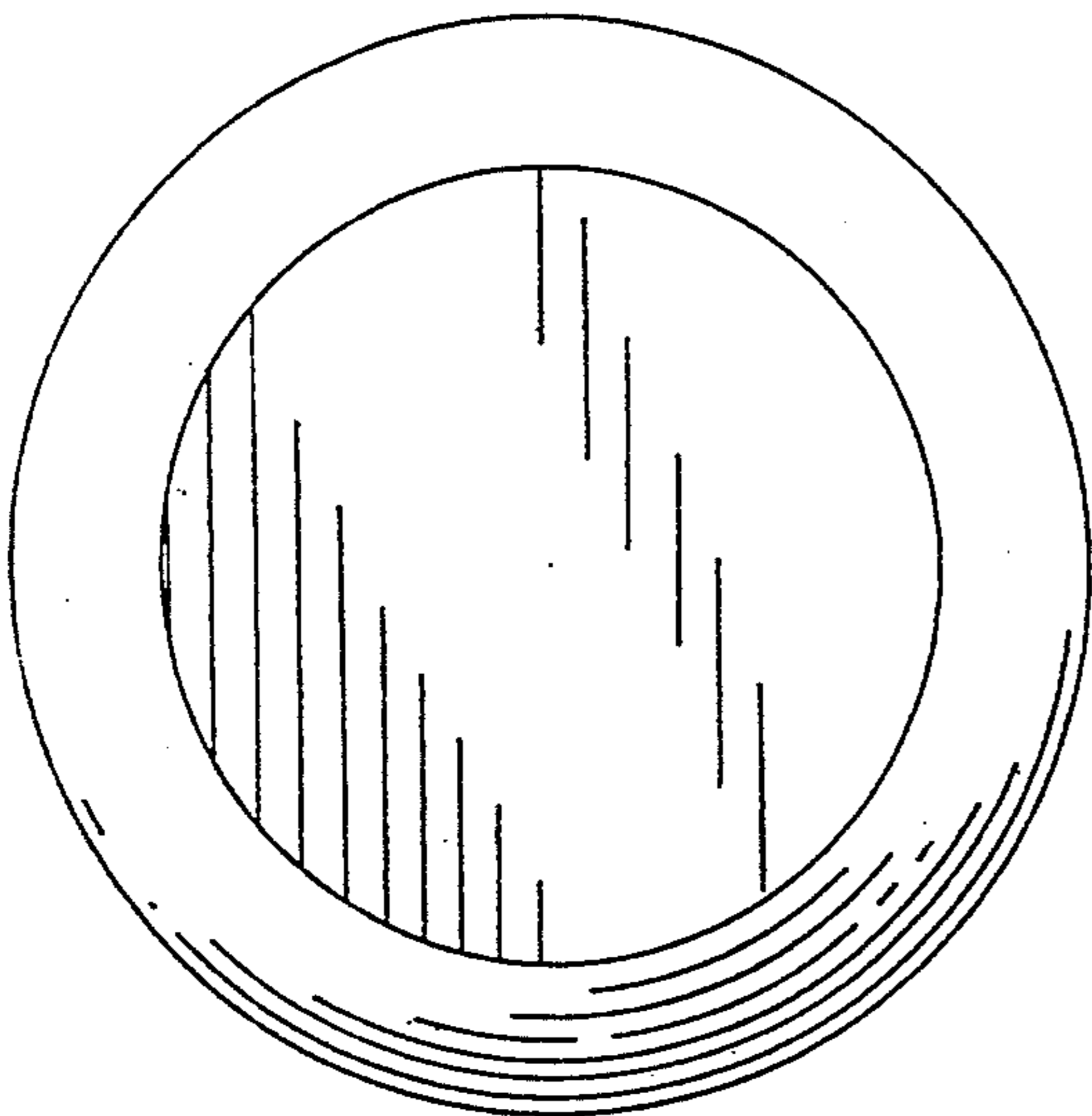


FIG. 4

