



US00D356716S

United States Patent [19]

[11] Patent Number: **Des. 356,716**

Dornbush et al.

[45] Date of Patent: **** Mar. 28, 1995**

[54] **MUFFIN HOLDER**

[75] Inventors: **David A. Dornbush**, Prior Lake; **N. Philip Sked**, Bloomington, both of Minn.; **Robert T. Lee**, Clinton; **Theodore H. Rehmeier**, Winston-Salem, both of N.C.

[73] Assignee: **American Harvest, Inc.**, Chaska, Minn.

[**] Term: **14 Years**

[21] Appl. No.: **3,499**

[22] Filed: **Jan. 8, 1993**

[52] U.S. Cl. **D7/357**

[58] Field of Search **D7/357, 611; 99/426, 99/440, 448; 220/23.2-23.4; 206/526; 211/181; 249/120**

1,308,482	7/1919	Cohn et al.	D7/357
1,350,651	8/1920	Hirst	D7/357
2,402,883	6/1946	Gavalis .	
2,914,185	11/1959	Le Vay .	
3,908,535	9/1975	Gordon .	
4,185,125	1/1980	Sakakibara et al. .	
4,296,682	10/1981	Thompson	99/426
4,329,977	5/1982	Orter .	
4,583,955	4/1986	Toloczko .	
4,817,509	4/1989	Erickson .	
5,165,328	11/1992	Erickson et al. .	
5,191,830	3/1993	Jacobsen	249/120

Primary Examiner—Ruth McInroy
Attorney, Agent, or Firm—Merchant, Gould, Smith, Edell, Welter & Schmidt

[57] **CLAIM**

The ornamental design for a muffin holder, as shown and described.

DESCRIPTION

FIG. 1 is a perspective view of a muffin holder showing our new design;
FIG. 2 is a side elevational view thereof;
FIG. 3 is a top plan view thereof;
FIG. 4 is a bottom plan view thereof;
FIG. 5 is a perspective view of a second embodiment thereof;
FIG. 6 is a side elevational view thereof;
FIG. 7 is a top plan view thereof; and,
FIG. 8 is a bottom plan view thereof.
The oven shown in broken lines in FIGS. 1 and 5 is shown for illustrative purposes only and forms no part of the claimed design.

[56] **References Cited**

U.S. PATENT DOCUMENTS

D. 58,205	11/1919	Andrews, Jr. .	
D. 122,175	8/1940	Wagner	D7/611
D. 176,971	2/1956	Belnert .	
D. 251,536	4/1979	Hansen	D7/357
D. 279,538	7/1985	Throm	D7/357
D. 321,109	10/1991	Erickson et al. .	
D. 321,110	10/1991	Worrell et al. .	
323,887	8/1885	Rutter .	
D. 328,687	8/1992	Dornbush et al. .	
D. 346,528	5/1994	Crawford et al.	D7/357
972,078	10/1910	Harrison .	
1,056,237	3/1913	Waller .	

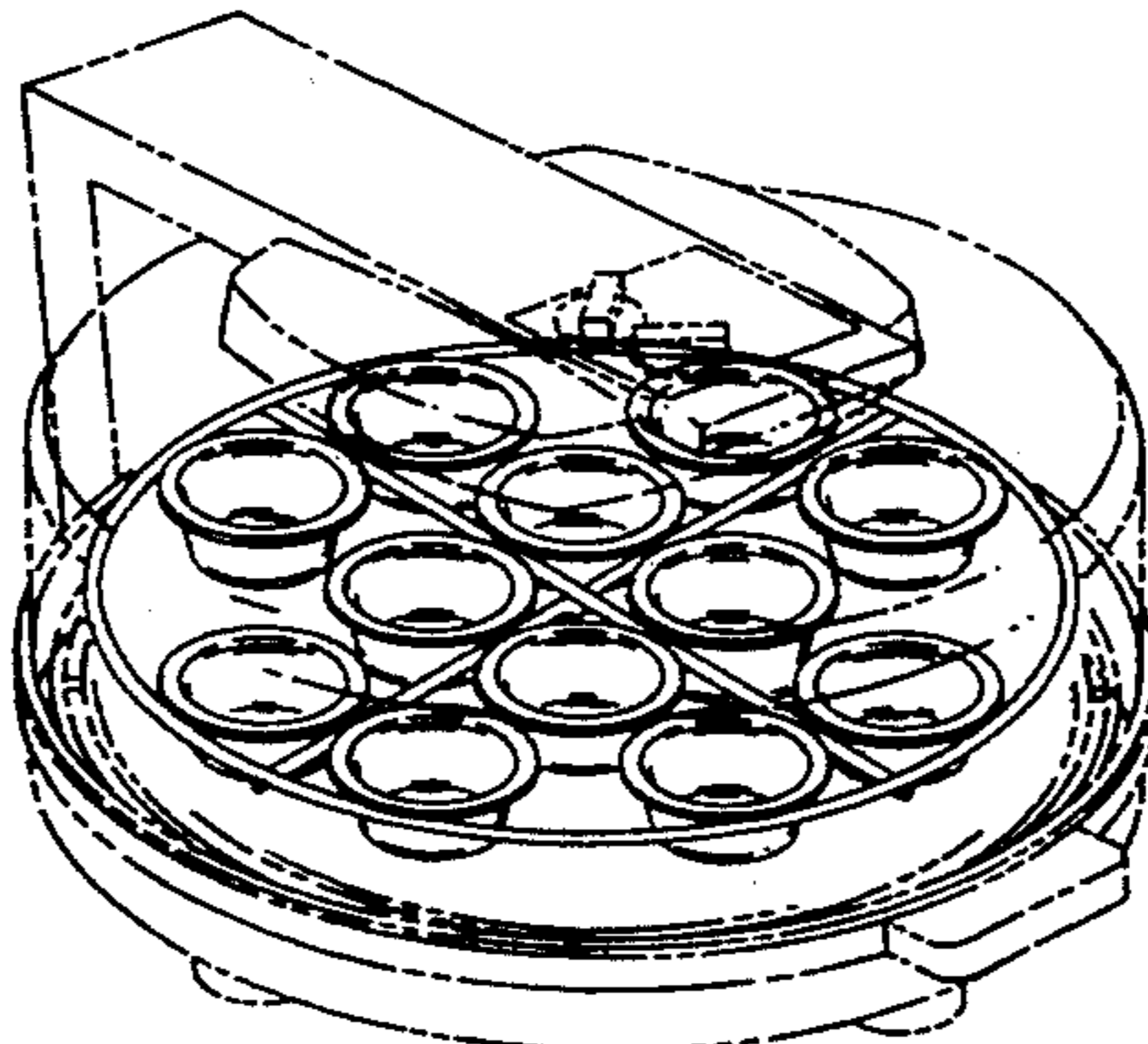
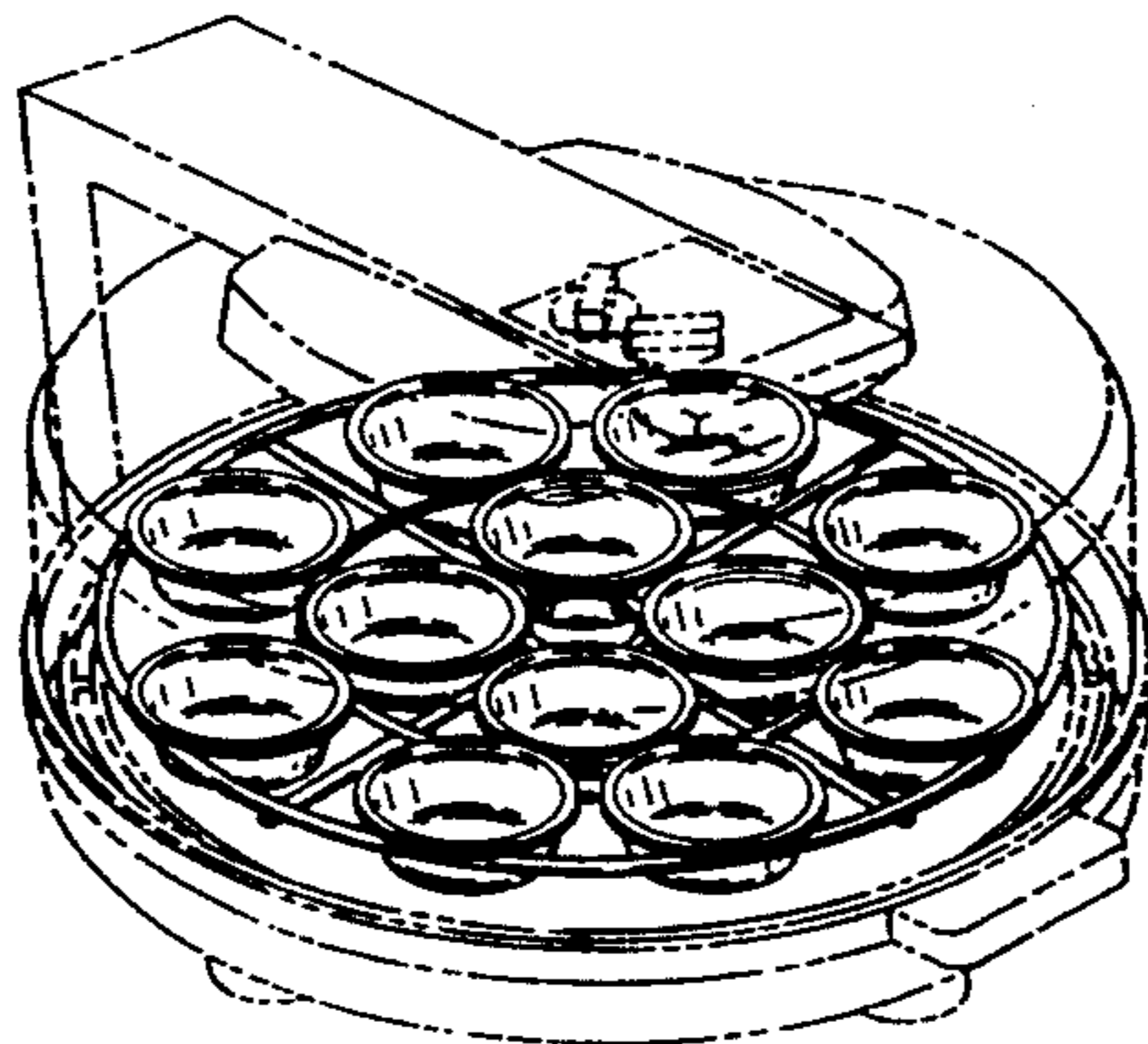


FIG. 1

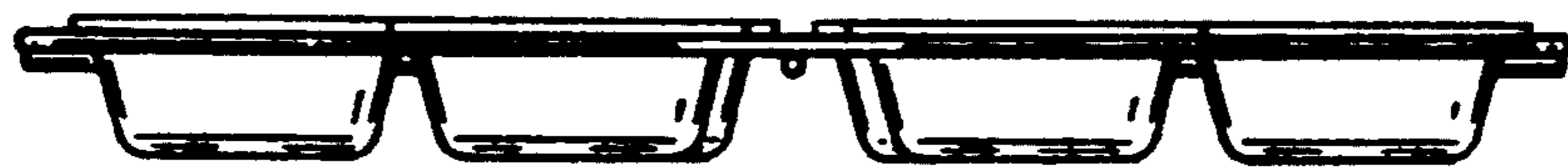
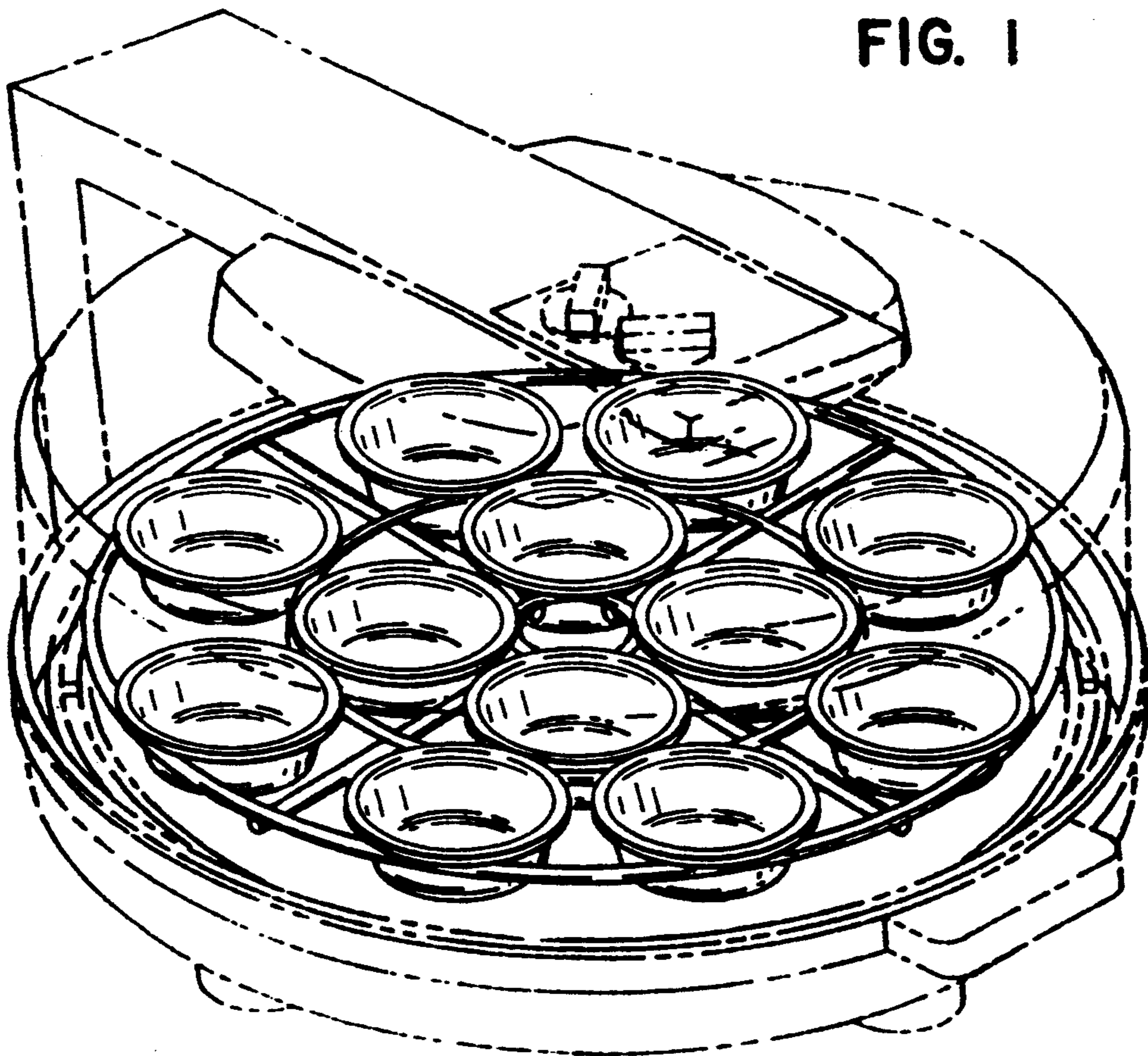


FIG. 2

FIG. 3

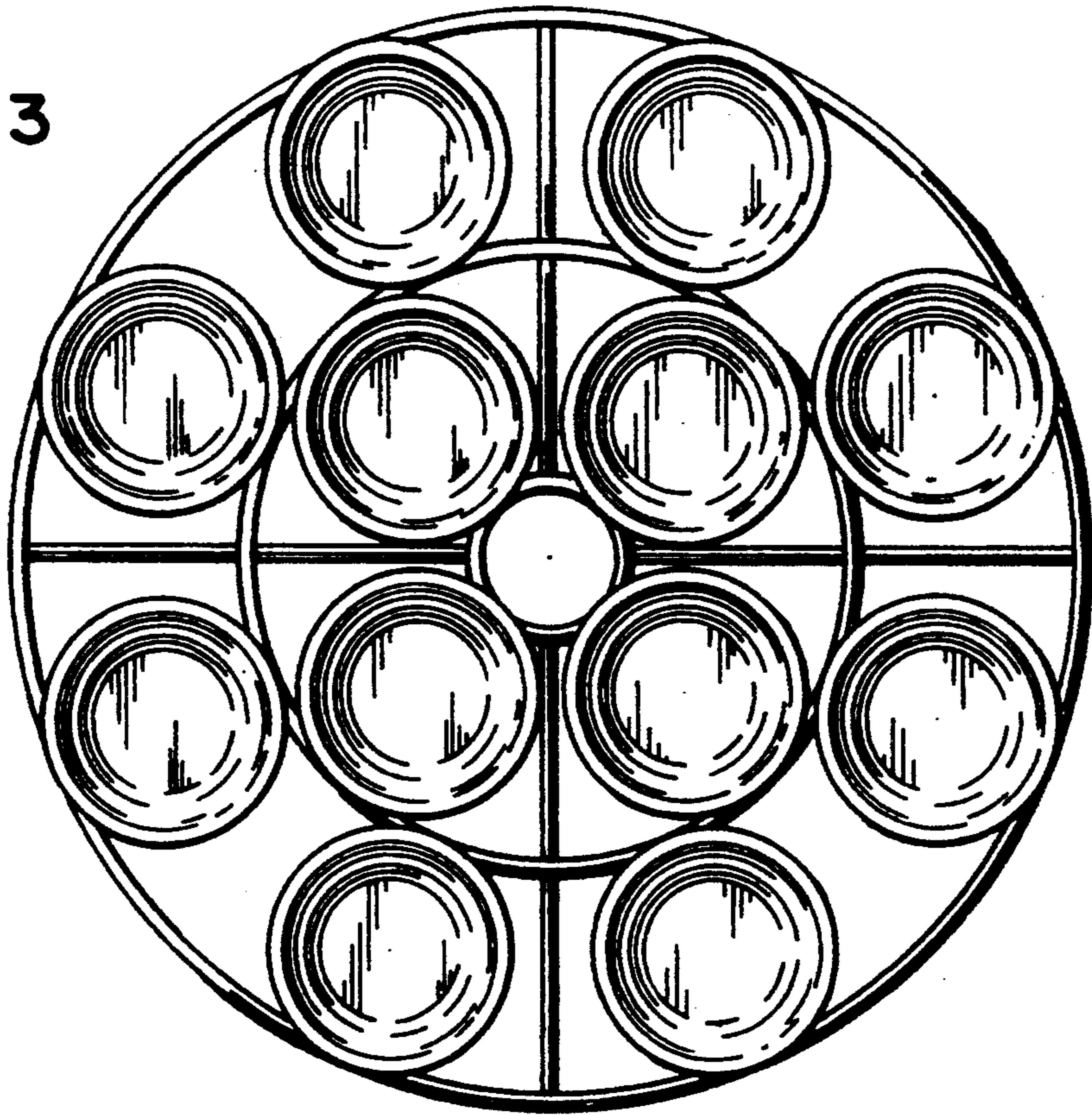
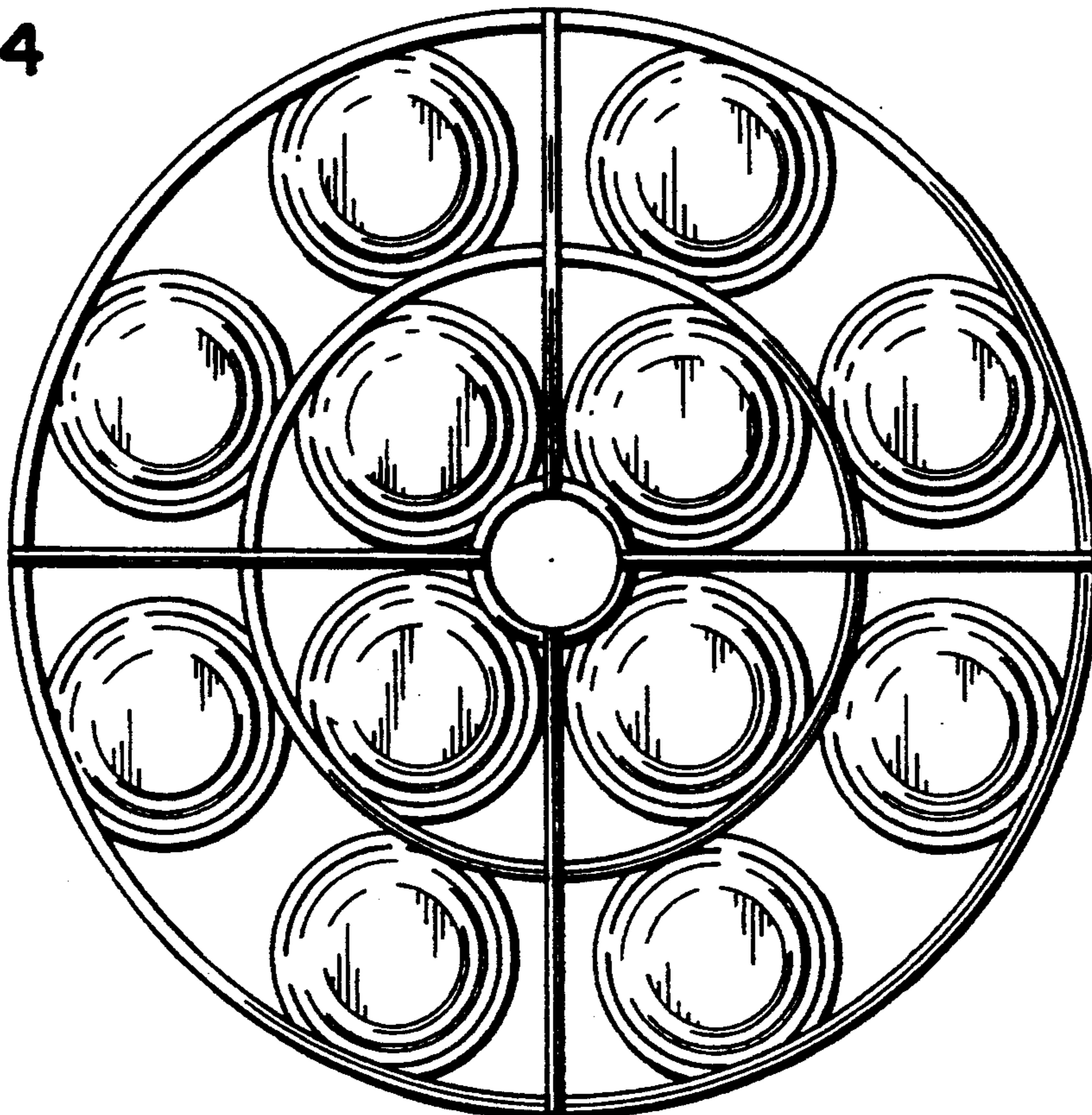


FIG. 4



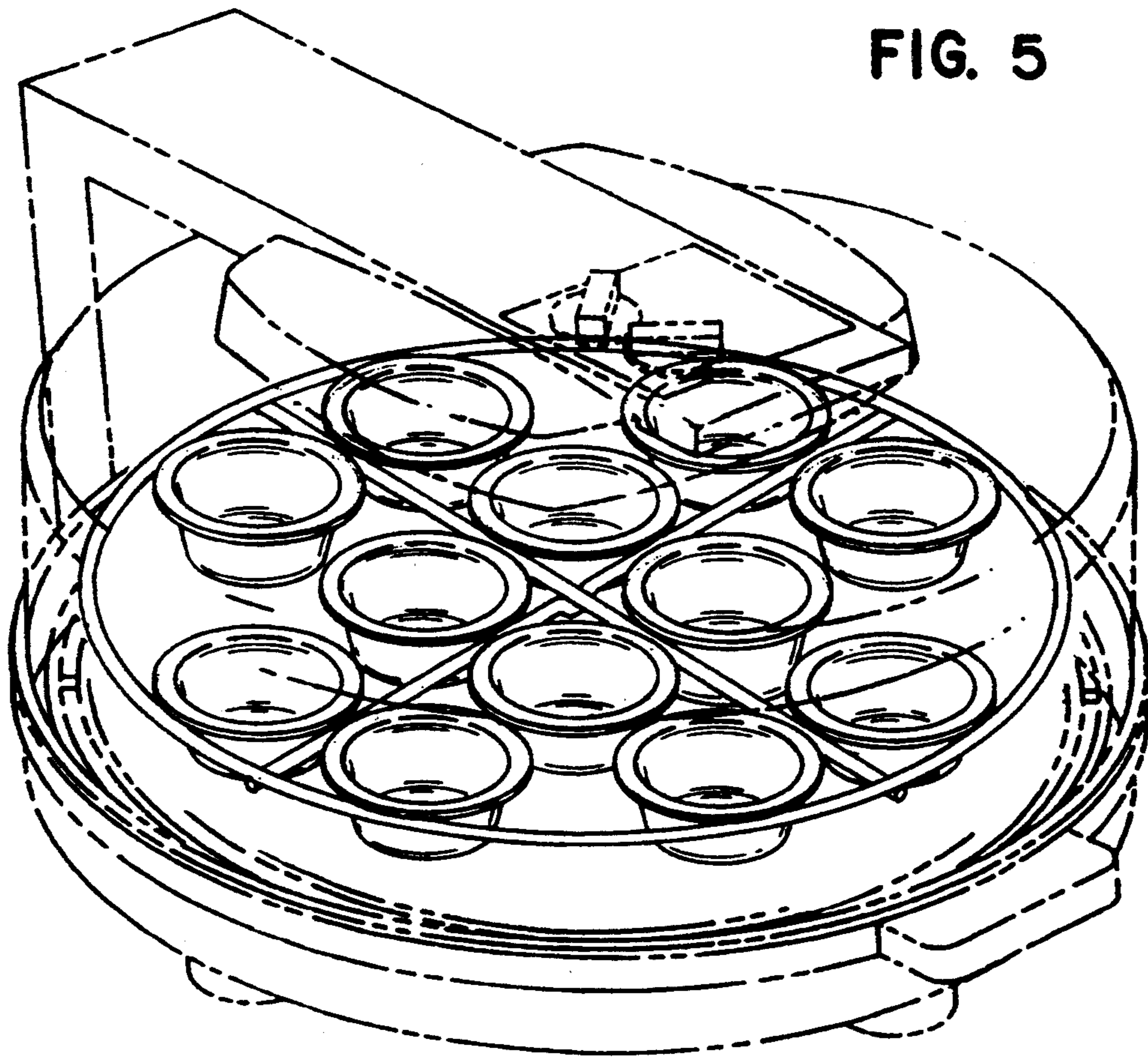


FIG. 6

FIG. 7

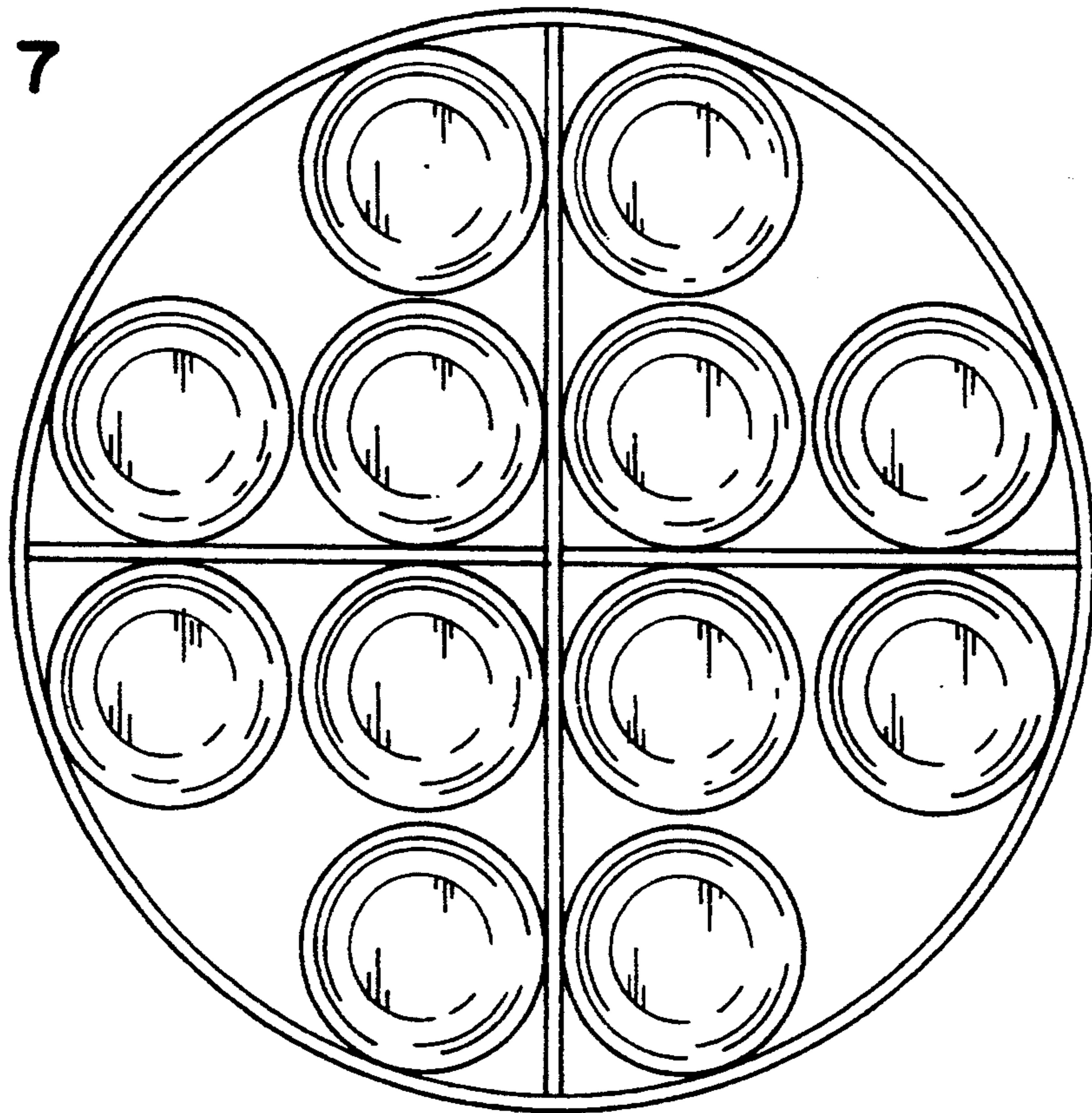


FIG. 8

