



US00D356712S

United States Patent [19]

[11] Patent Number: **Des. 356,712**

Brady

[45] Date of Patent: **** Mar. 28, 1995**

[54] **COFFEE MAKER**

[75] Inventor: **Martin Brady**, Richmond, Va.

[73] Assignee: **Hamilton Beach/Proctor-Silex, Inc.**,
Glen Allen, Va.

[**] Term: **14 Years**

[21] Appl. No.: **9,639**

[22] Filed: **Jun. 17, 1993**

[52] U.S. Cl. **D7/309; D7/310;**
D7/311

[58] Field of Search **D7/300, 213, 304, 305,**
D7/306, 307, 308, 309, 310, 311, 312; 99/279,
295, 300, 304, 307, 306

[56] **References Cited**

U.S. PATENT DOCUMENTS

- D. 257,475 11/1980 von der Luebe .
- D. 286,127 10/1986 Sastre D7/309
- D. 288,517 3/1987 Kahlcke .
- D. 296,971 8/1988 Stützer .
- D. 299,608 1/1989 Knochner D7/310 X
- D. 299,998 2/1989 Seiffert D7/311 X
- D. 300,596 4/1989 Eugster .
- D. 313,146 12/1990 Precht D7/310 X
- D. 336,207 6/1993 Brookshire D7/311 X
- D. 336,586 6/1993 Dingelstad et al. D7/311 X
- D. 339,263 9/1993 McCloskey D7/310 X
- D. 339,953 10/1993 Bunn et al. D7/309
- D. 343,758 2/1974 Beeren D7/309
- D. 344,427 2/1994 Bannigan D7/310 X
- D. 346,298 4/1994 Brady et al. D7/307

FOREIGN PATENT DOCUMENTS

54090 3/1985 Canada .

OTHER PUBLICATIONS

Front and Back cover pages and pp. 6 and 7 of the "Spring 1993 New Products" Catalog, published by Hamilton Beach Proctor-Silex in Dec. 1992.

Front and Back cover pages and pp. 2 and 3 of the "Break-Through '92, 1992 New Products" Catalog published by Hamilton Beach Proctor-Silex in Jan. 1992.

Front and Back cover pages and pp. 12 and 13 of the

"Hamilton Beach Proctor-Silex" Catalog published by Hamilton Beach Proctor-Silex in Apr. 1992.

Front and Back of Proctor-Silex advertisement for a 2-12 Cup Automatic Drip Coffeemaker published by Proctor-Silex in Dec. 1989.

Front and back cover pages and pp. 10 and 11 of the "Rowenta International 86" catalog published by Rowenta-Werke in 1986.

Front and back cover pages and p. 21 of the "Crate and Barrel Summer Sale" catalog published by Crate and Barrel in 1993.

Front and back cover pages and p. 6 of the "Community Kitchen-The Art of Food" catalog published by Community Coffe Co. in 1993.

Unpublished photographs of a Melitta Coffeemaker and Carafe taken for the purpose of this information disclosure statement.

Primary Examiner—Nelson C. Holtje

Assistant Examiner—M. N. Pandozzi

Attorney, Agent, or Firm—Roger S. Dybvig

[57] **CLAIM**

The ornamental design for a coffee maker, as shown and described.

DESCRIPTION

FIG. 1 is a top, front and left side perspective view of a coffee maker showing my new design;

FIG. 2 is a left side elevational view thereof;

FIG. 3 is a right side elevational view thereof;

FIG. 4 is a front elevational view thereof;

FIG. 5 is a cross-sectional view taken along section lines 5—5 of FIG. 4 without the carafe and without internal detail;

FIG. 6 is a rear elevational view thereof;

FIG. 7 is a top plan view thereof; and,

FIG. 8 is a bottom plan view thereof.

The broken lines showing the vents on the bottom of the base in FIG. 8, the electrical cord in FIGS. 2, 3, 6, 7, and 8, the screw in the bottom of the carafe handle in FIG. 3, and the screws in the bottom of the feet in FIG. 8, are for illustrative purposes only and form no part of the claimed design.

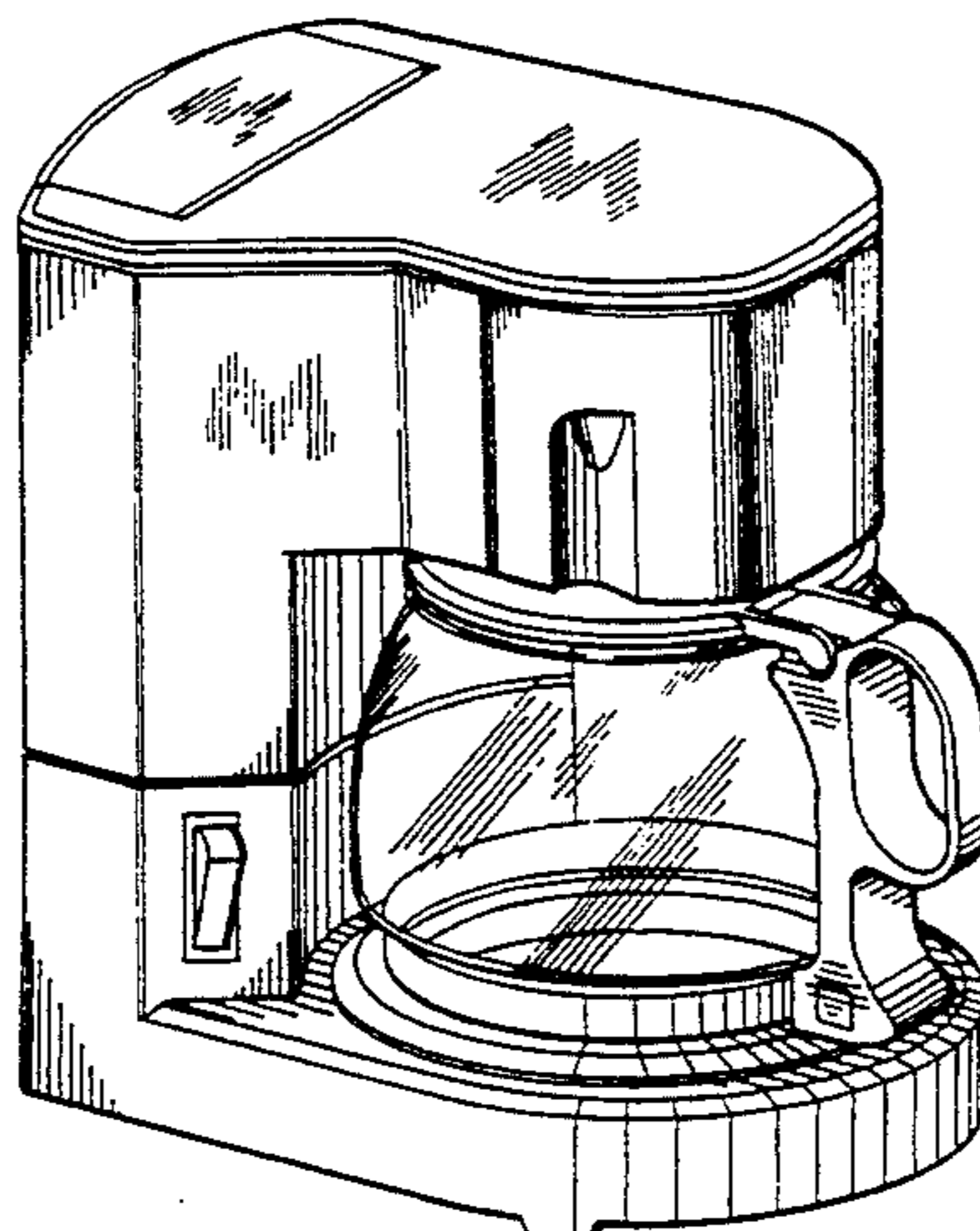


FIG-1

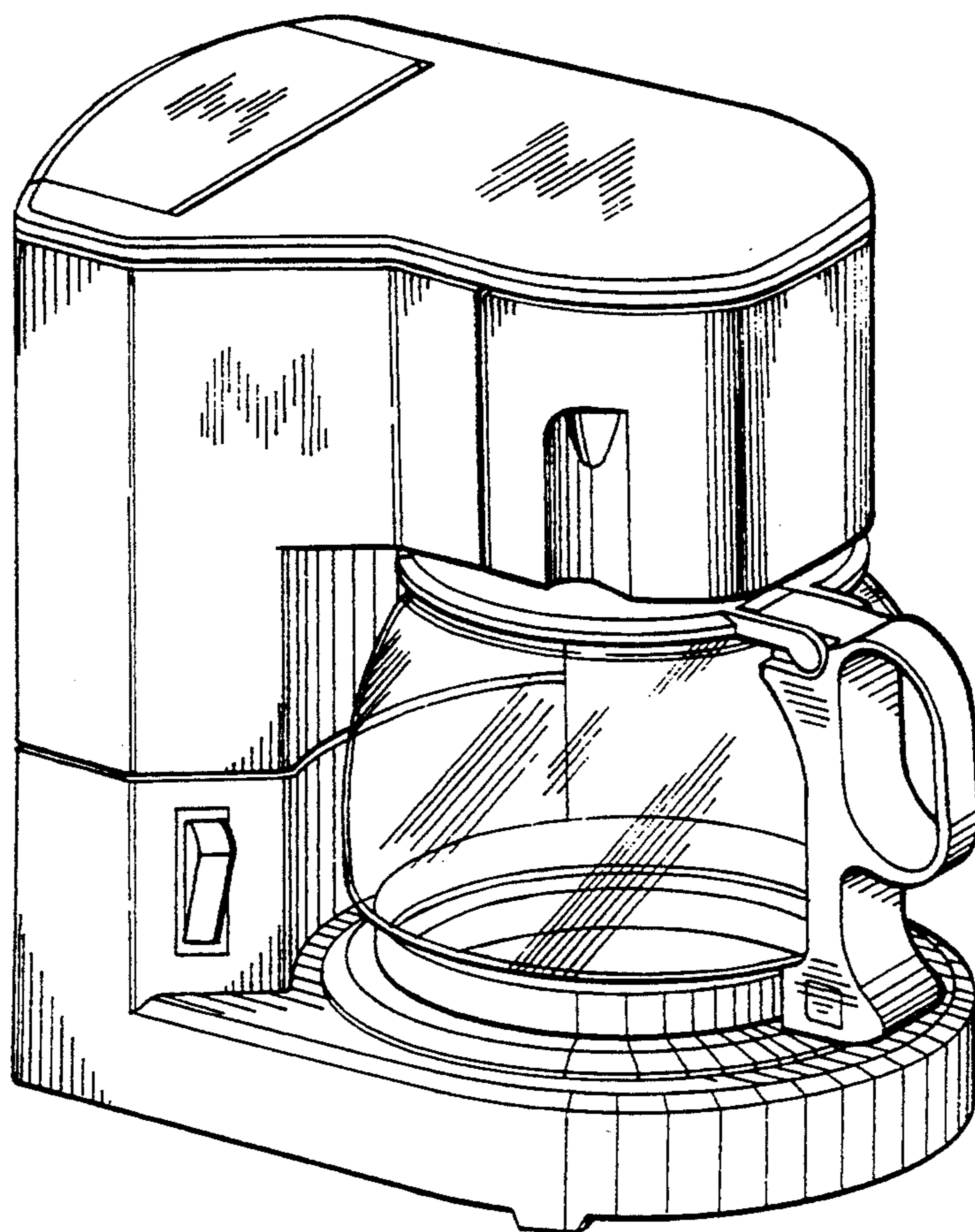


FIG-2

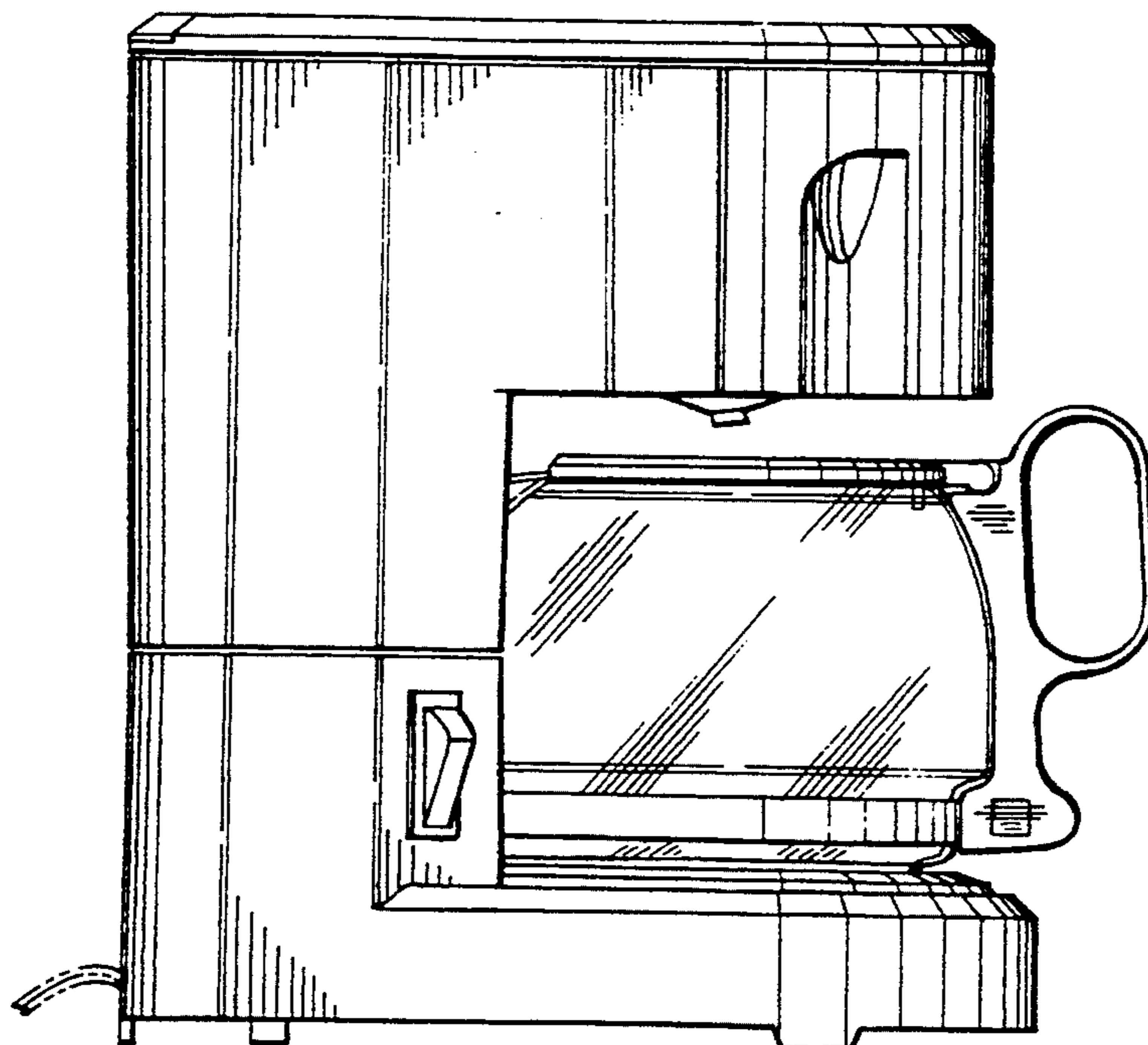


FIG-3

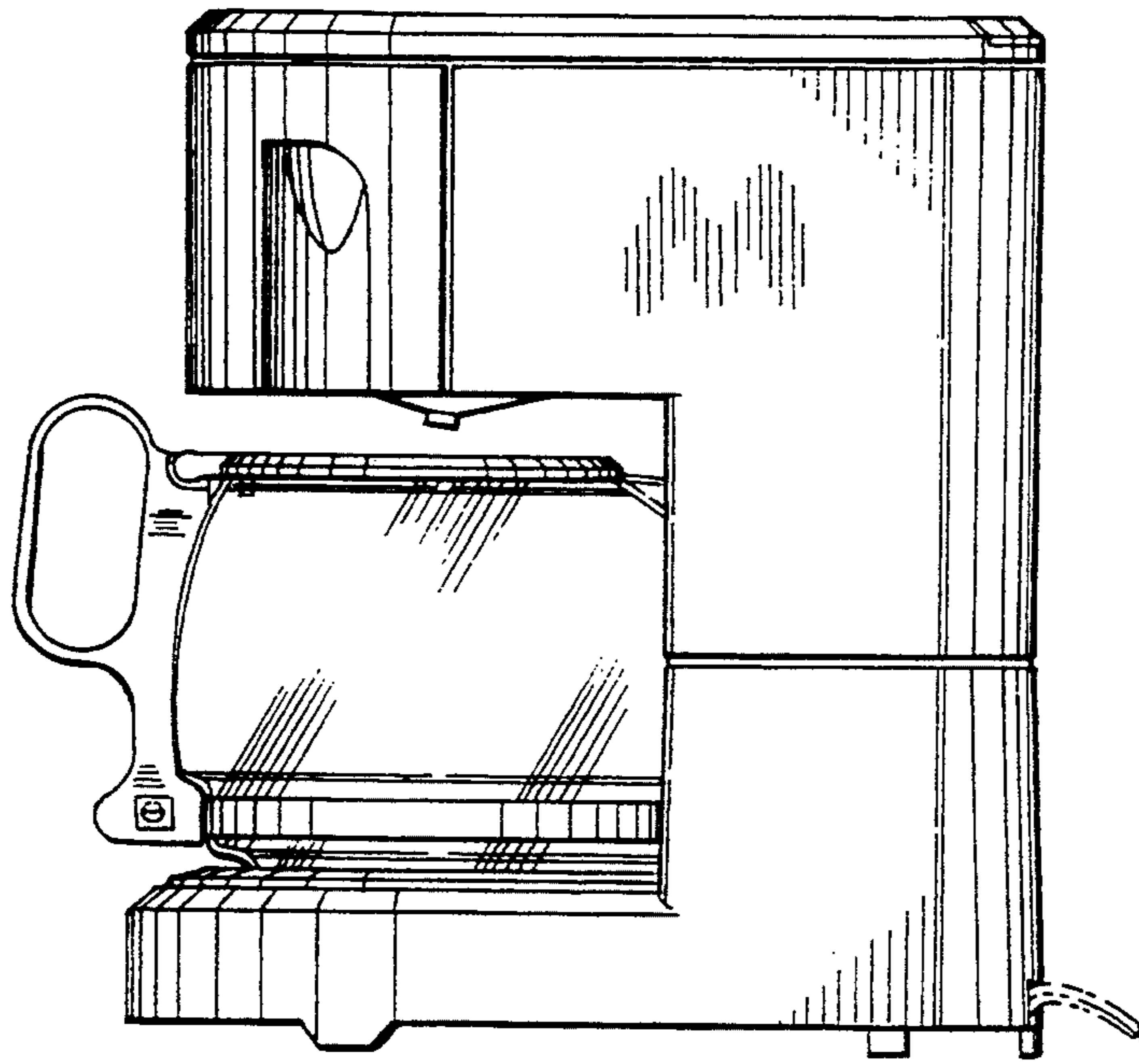


FIG-4

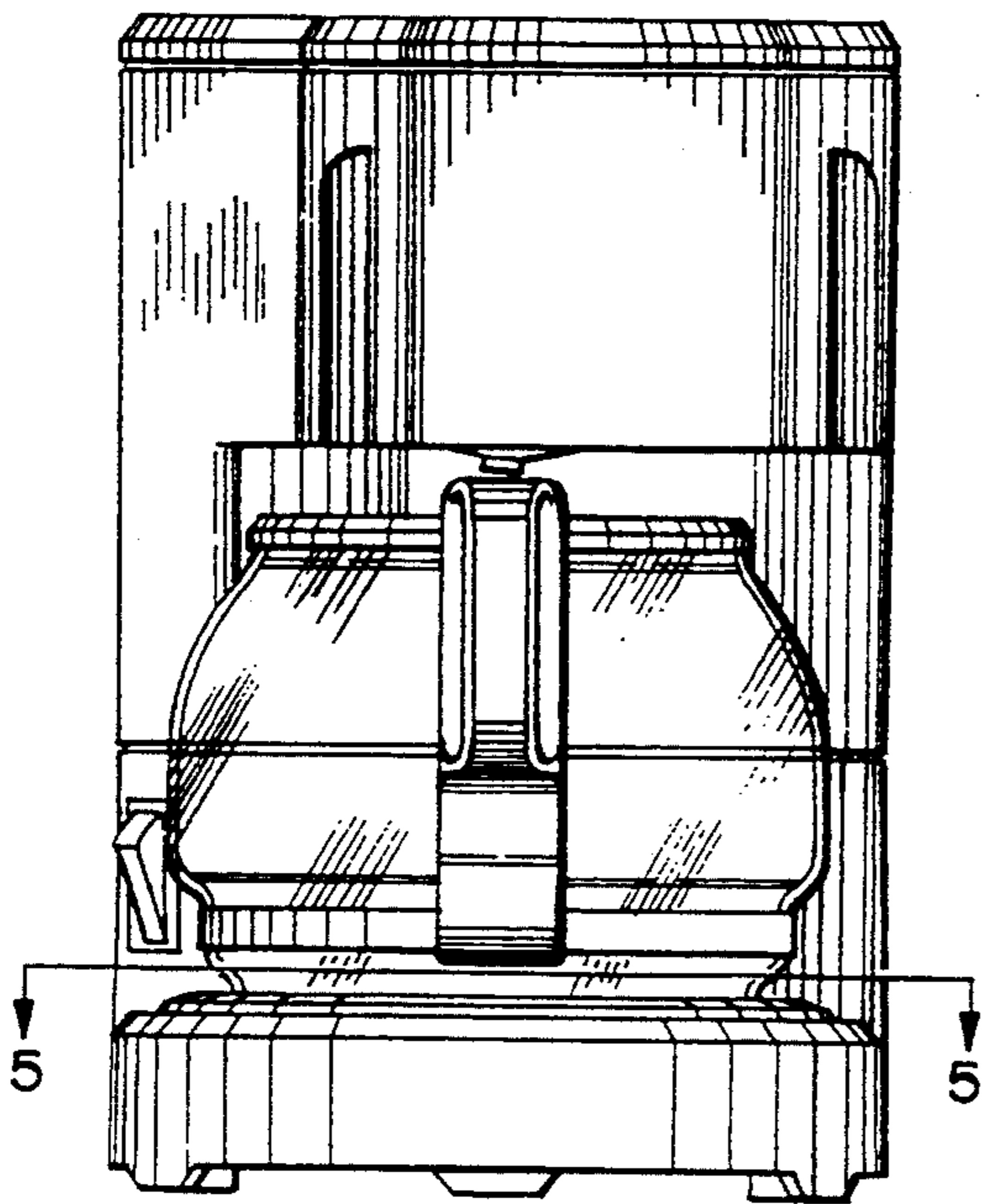


FIG-5

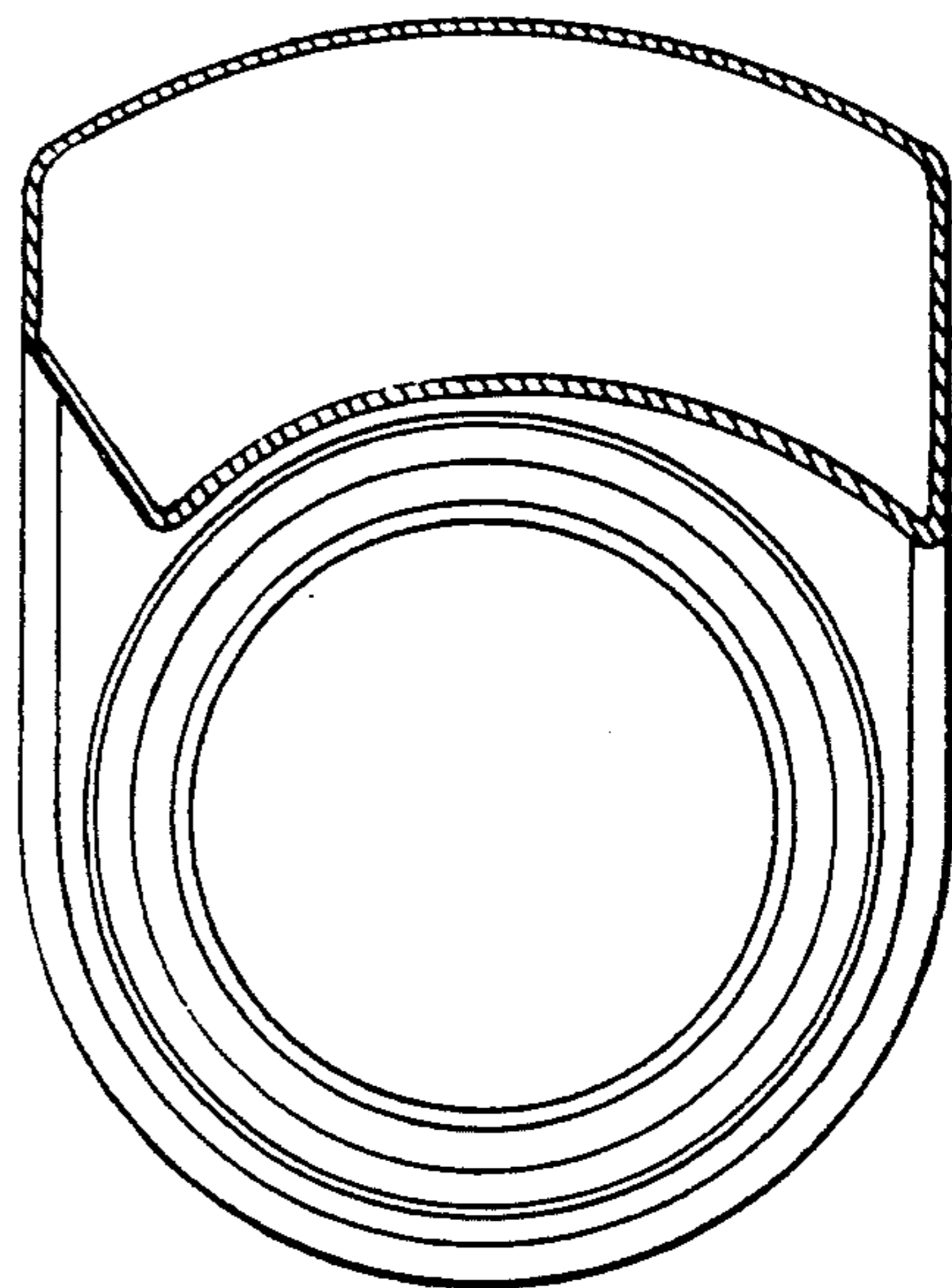


FIG-6

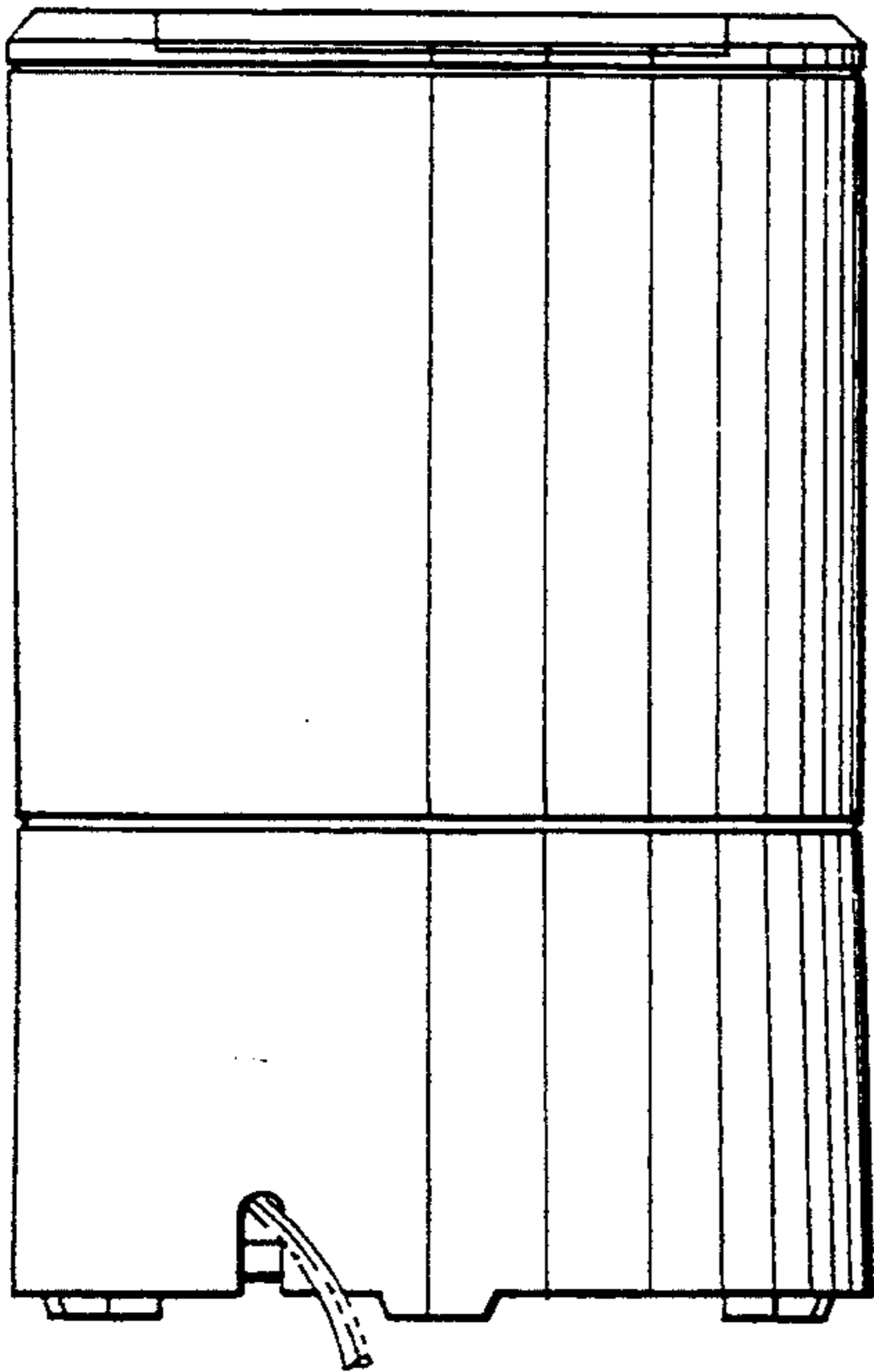


FIG-7

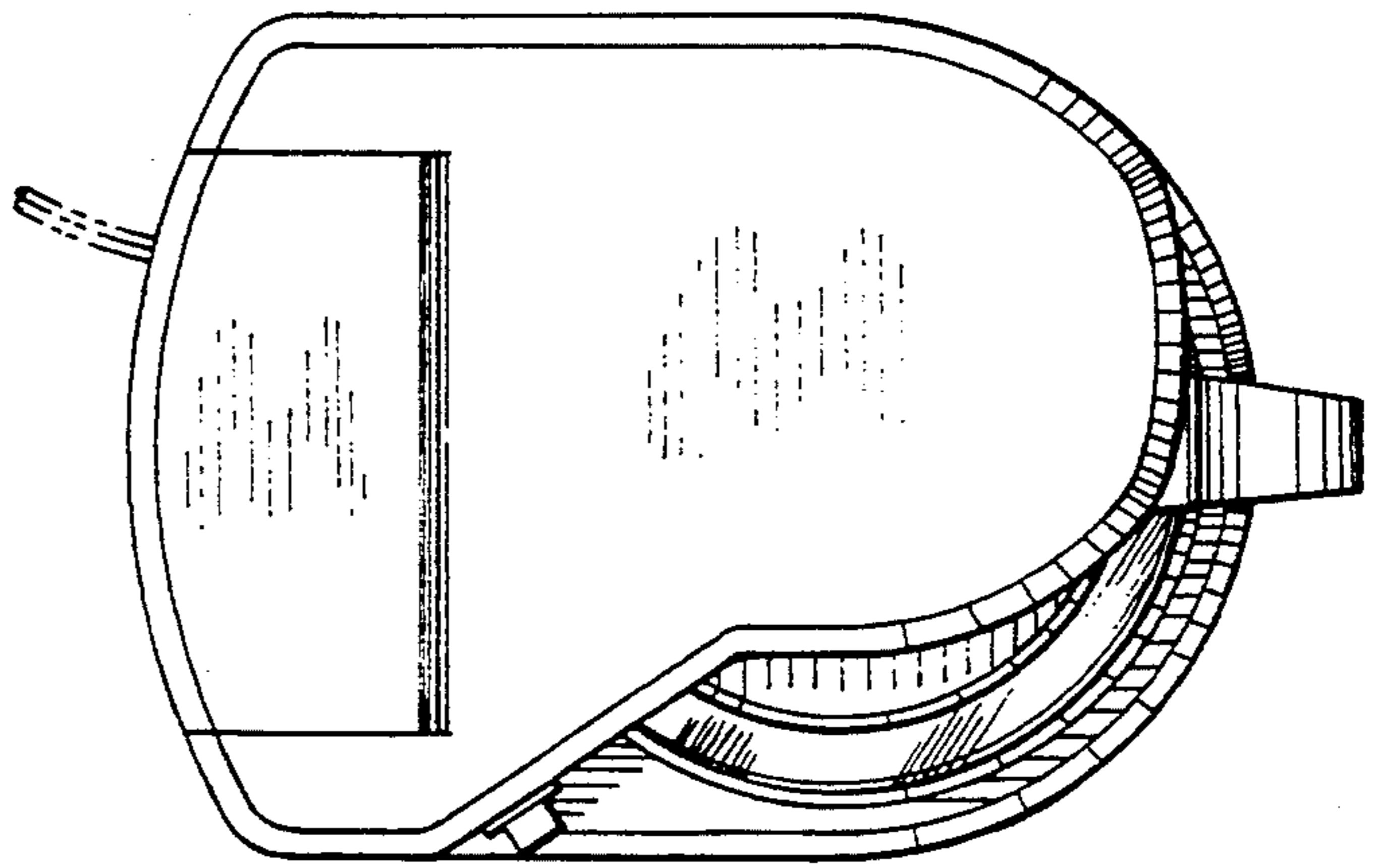


FIG-8

