



US00D356707S

United States Patent [19]

[11] Patent Number: **Des. 356,707**

Morand

[45] Date of Patent: **** Mar. 28, 1995**

[54] **PERFORATED PAPER TOWEL DISPENSER**

[75] Inventor: **Michel Morand, Montreal, Canada**

[73] Assignee: **Wyant & Company Limited, Lachine, Canada**

[**] Term: **14 Years**

[21] Appl. No.: **16,015**

[22] Filed: **Dec. 6, 1993**

[52] U.S. Cl. **D6/522**

[58] Field of Search **D6/515-523;**
211/49.1, 87; 242/55.3, 55.2; 312/34.1, 34.8

4,804,149	12/1989	Murphy	242/55.3
5,131,903	7/1992	Levine et al.	.	
5,205,454	4/1993	Schultz et al.	.	
5,211,308	5/1993	Decker	.	
5,215,211	6/1993	Eberle	.	

FOREIGN PATENT DOCUMENTS

1325923 8/1973 United Kingdom .

Primary Examiner—Brian N. Vinson
Attorney, Agent, or Firm—Larson and Taylor

[57] CLAIM

The ornamental design of a perforated paper towel dispenser, as shown and described.

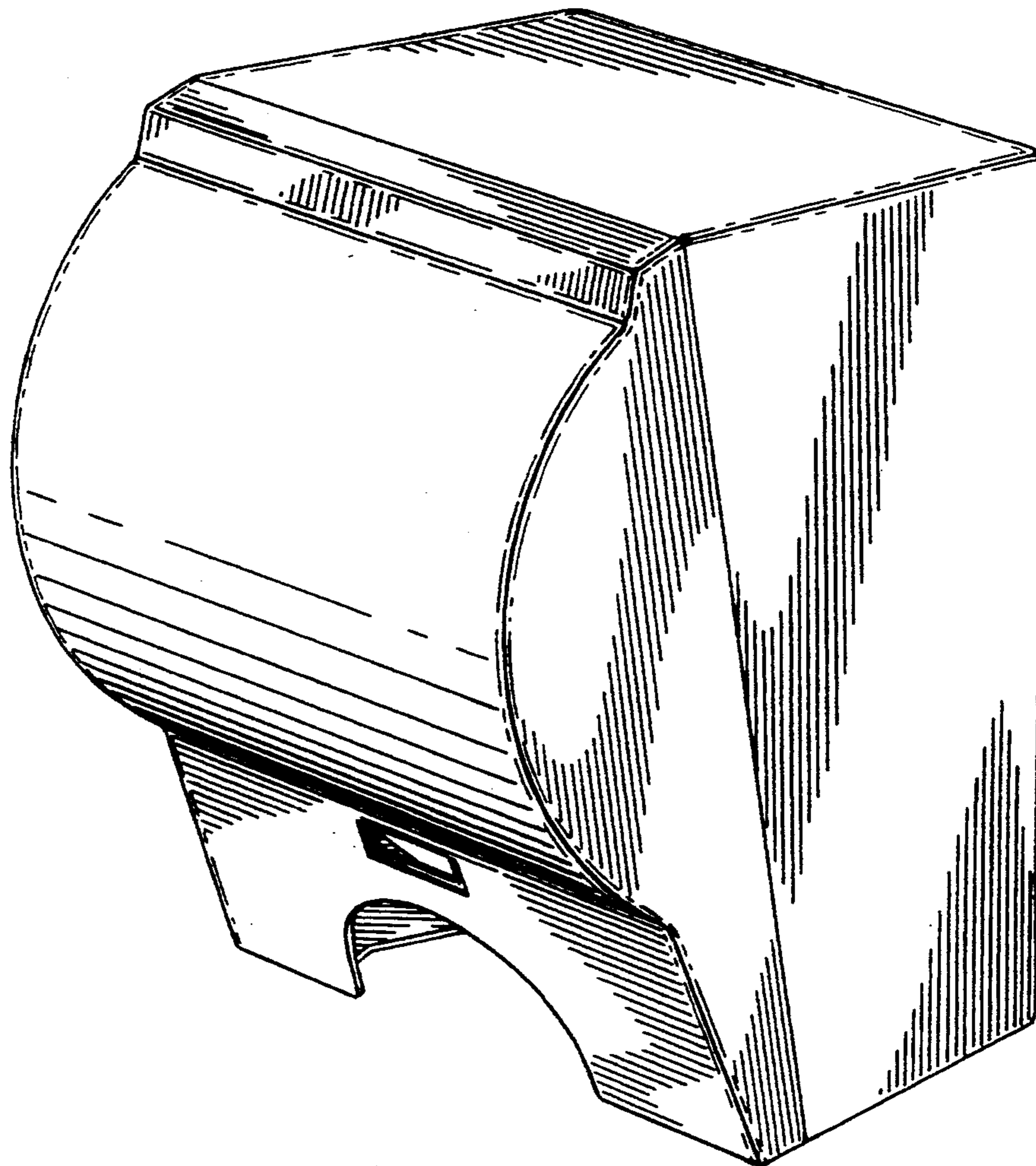
DESCRIPTION

FIG. 1 is a top, front, and right side perspective view of a perforated paper towel dispenser showing my new design;
 FIG. 2 is a front elevational view thereof;
 FIG. 3 is a left side elevational view thereof, the right side being a mirror image of that shown;
 FIG. 4 is a rear elevational view thereof;
 FIG. 5 is a top plan view thereof; and,
 FIG. 6 is a bottom plan view thereof.

[56] References Cited

U.S. PATENT DOCUMENTS

D. 288,161	2/1987	Payne, Jr. et al.	D6/518 X
D. 306,384	3/1990	Morand	D6/522
D. 339,705	9/1993	Morand	D6/522
D. 347,135	5/1994	Morand	D6/522
2,806,591	9/1957	Appleton	.	
3,291,354	12/1966	Ziebarth	.	
4,520,968	6/1985	Shpigelman	.	
4,522,346	6/1985	Jespersen	.	
4,659,028	4/1987	Wren	.	



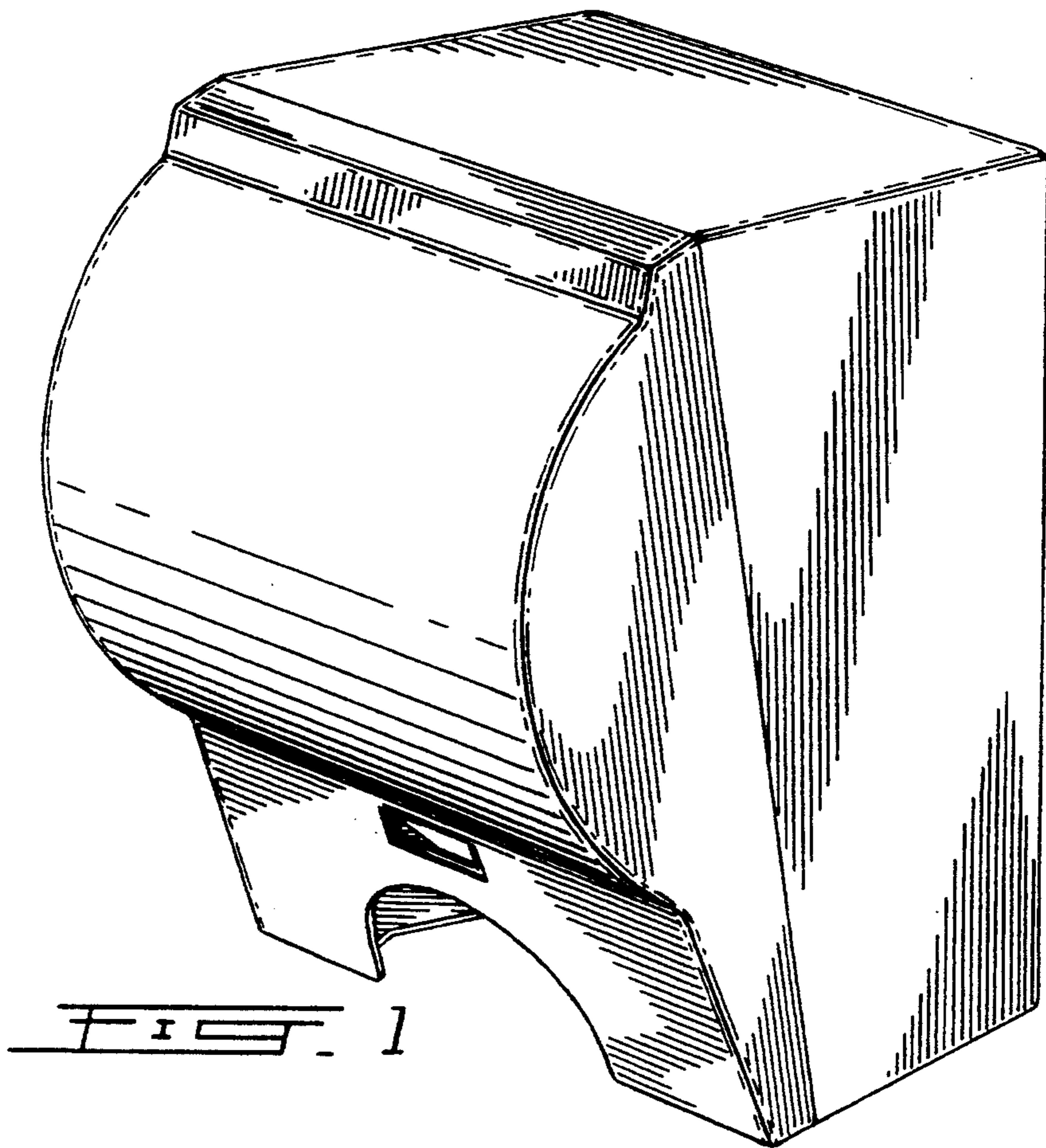


FIG. 1

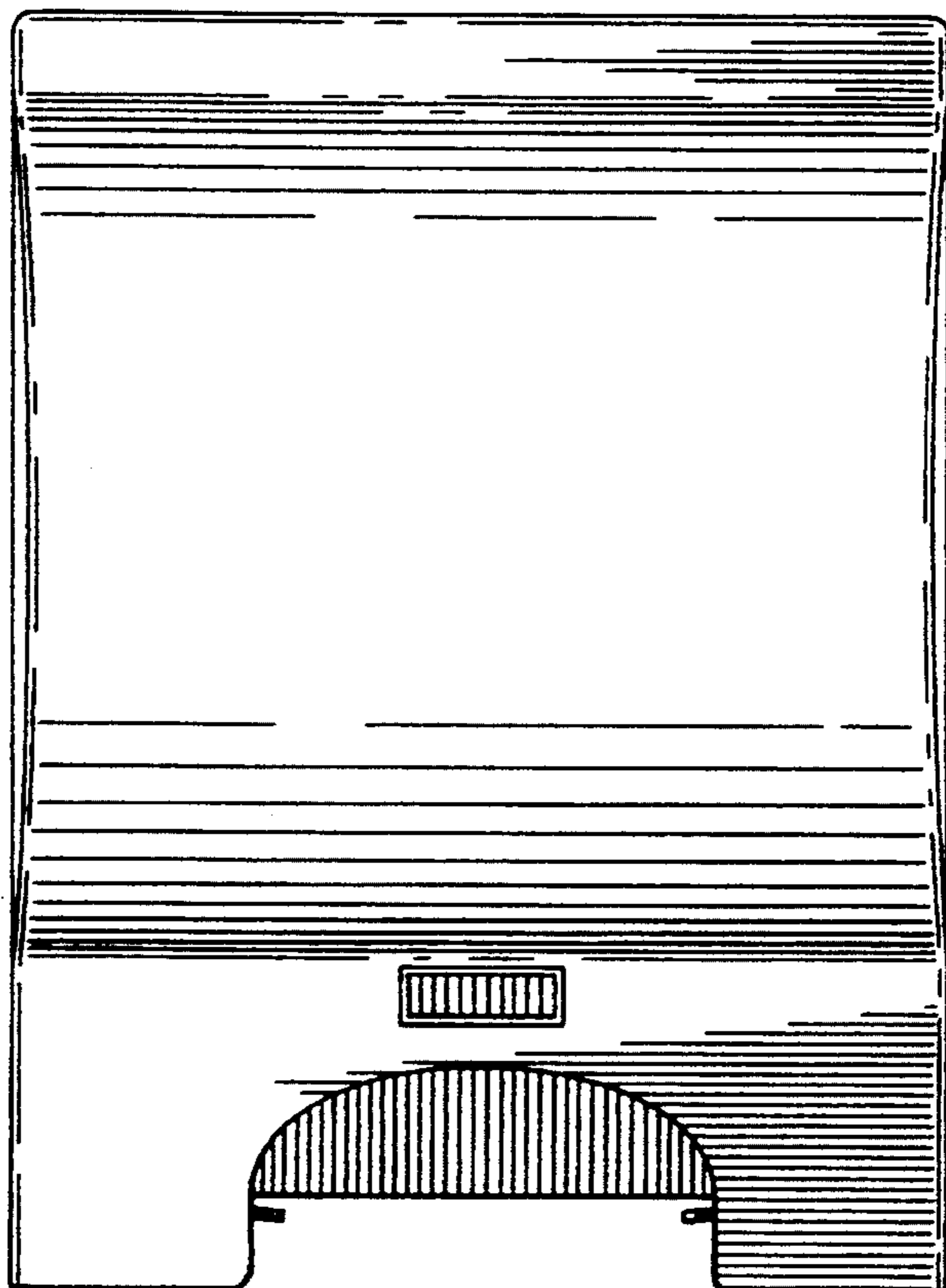


FIG. 2

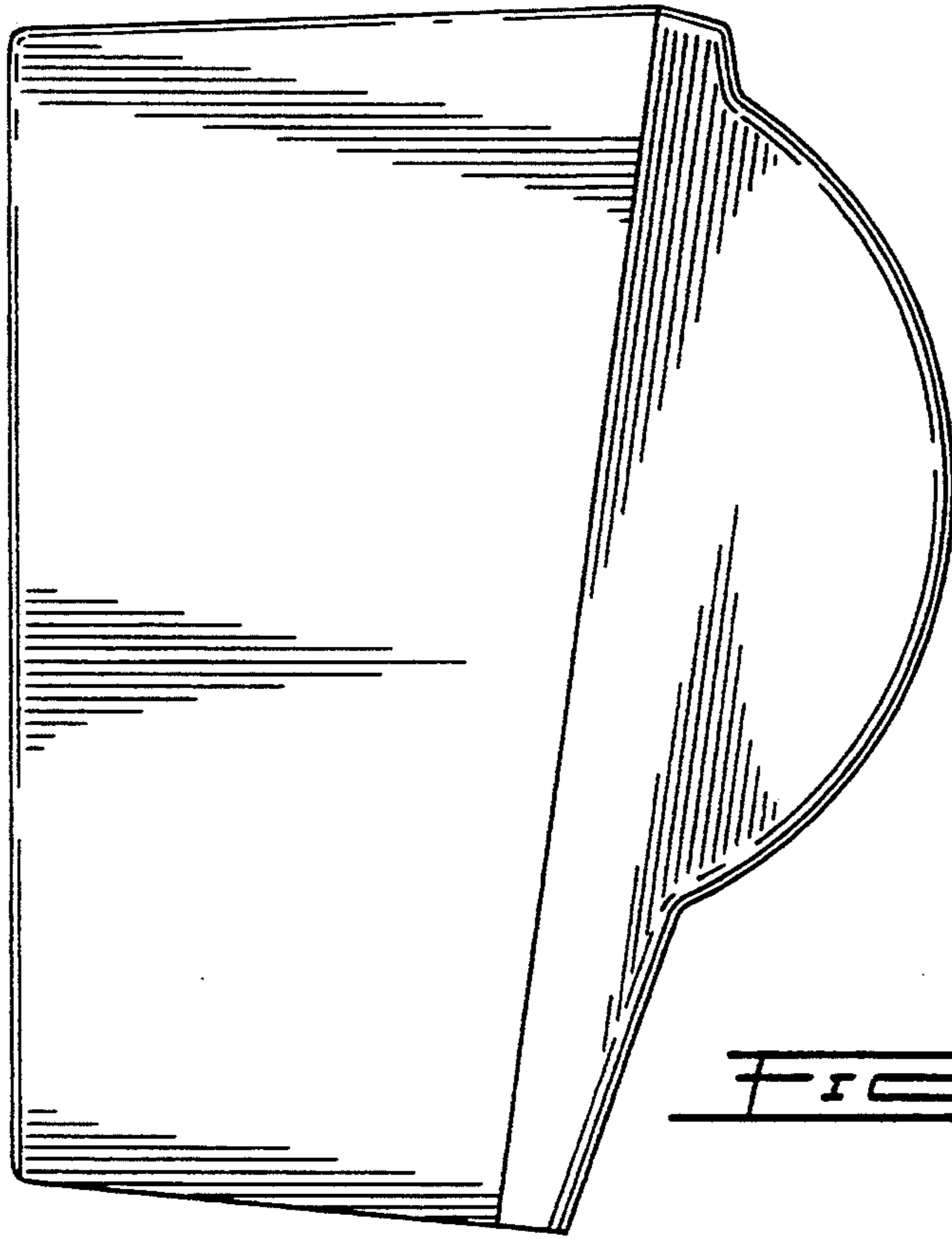


FIG. 3

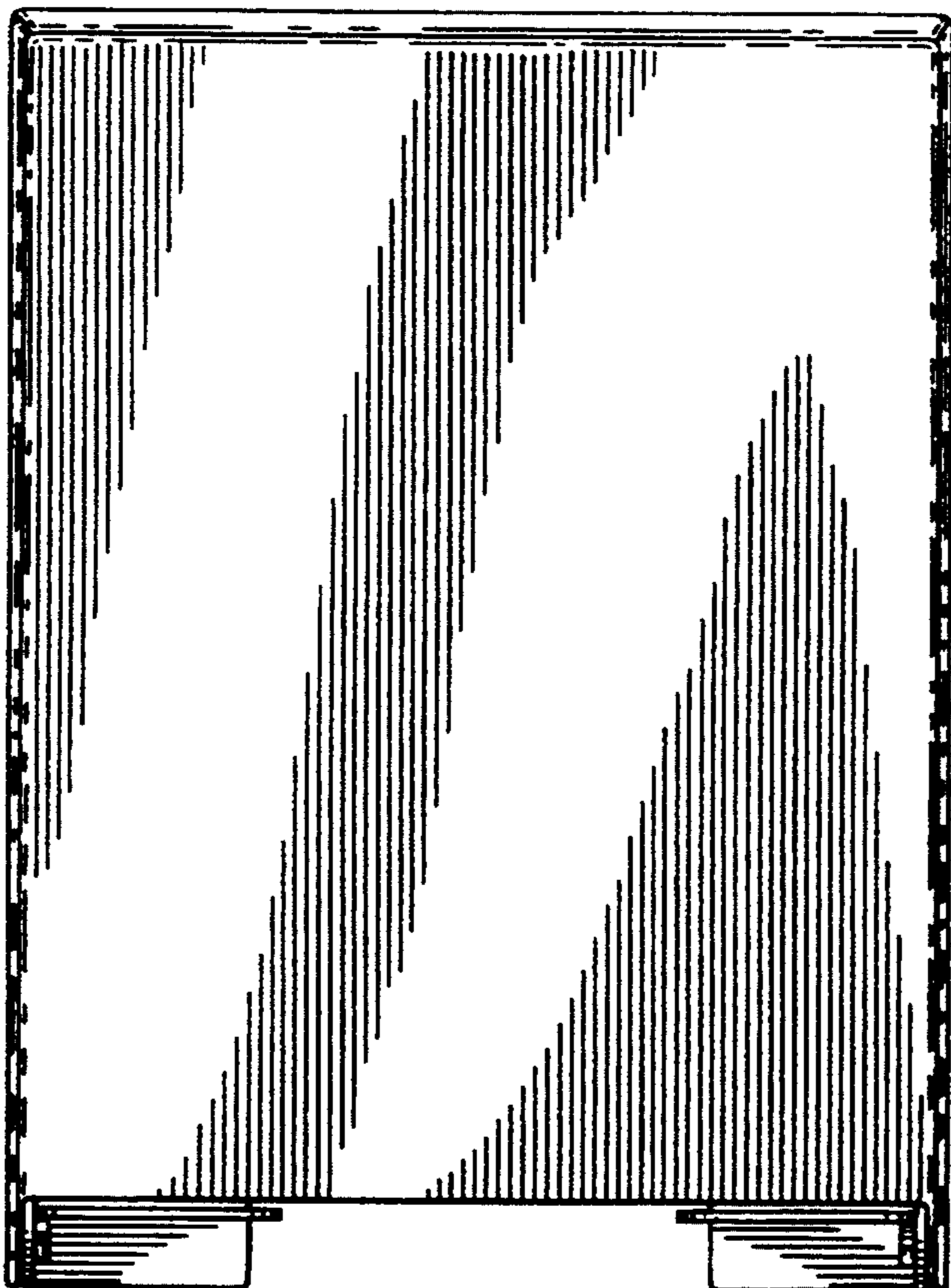


FIG. 4

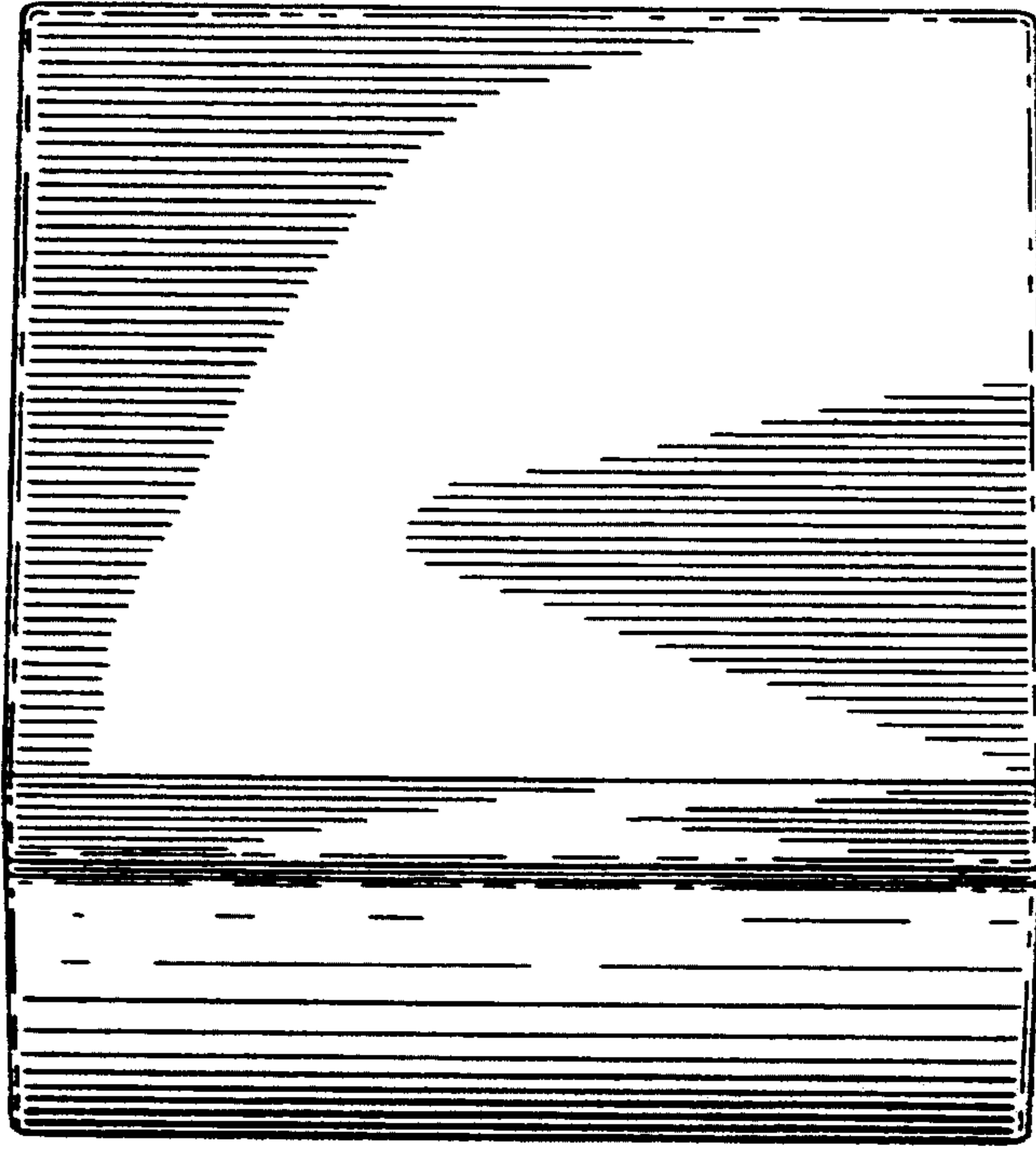


FIG. 5

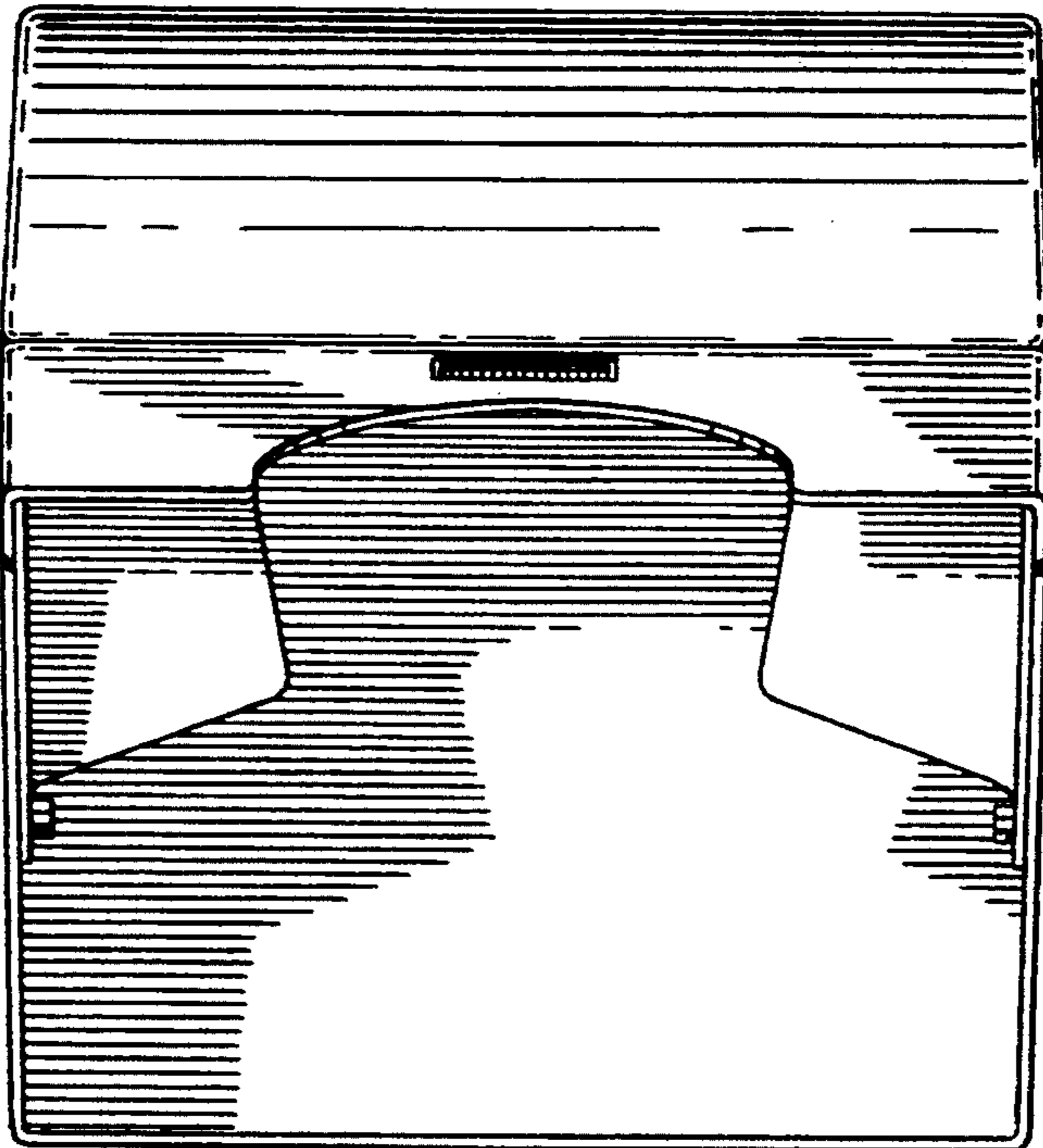


FIG. 6