



US00D356698S

United States Patent [19]

[11] Patent Number: **Des. 356,698**

Chow

[45] Date of Patent: **** Mar. 28, 1995**

[54] **COMPACT DISC CAROUSEL**

3,161,294 12/1964 Meuche 211/41
5,176,264 1/1993 De Palma 211/40

[76] Inventor: **Gary Chow, 207 - 1508 Mariners Walk, Vancouver, Canada, V6J 4X9**

Primary Examiner—Alan P. Douglas
Assistant Examiner—S. Snapp
Attorney, Agent, or Firm—Norman M. Cameron

[**] Term: **14 Years**

[57] **CLAIM**

[21] Appl. No.: **4,672**

The ornamental design for a compact disc carousel, as shown and described.

[22] Filed: **Feb. 11, 1993**

[52] U.S. Cl. **D6/407**

DESCRIPTION

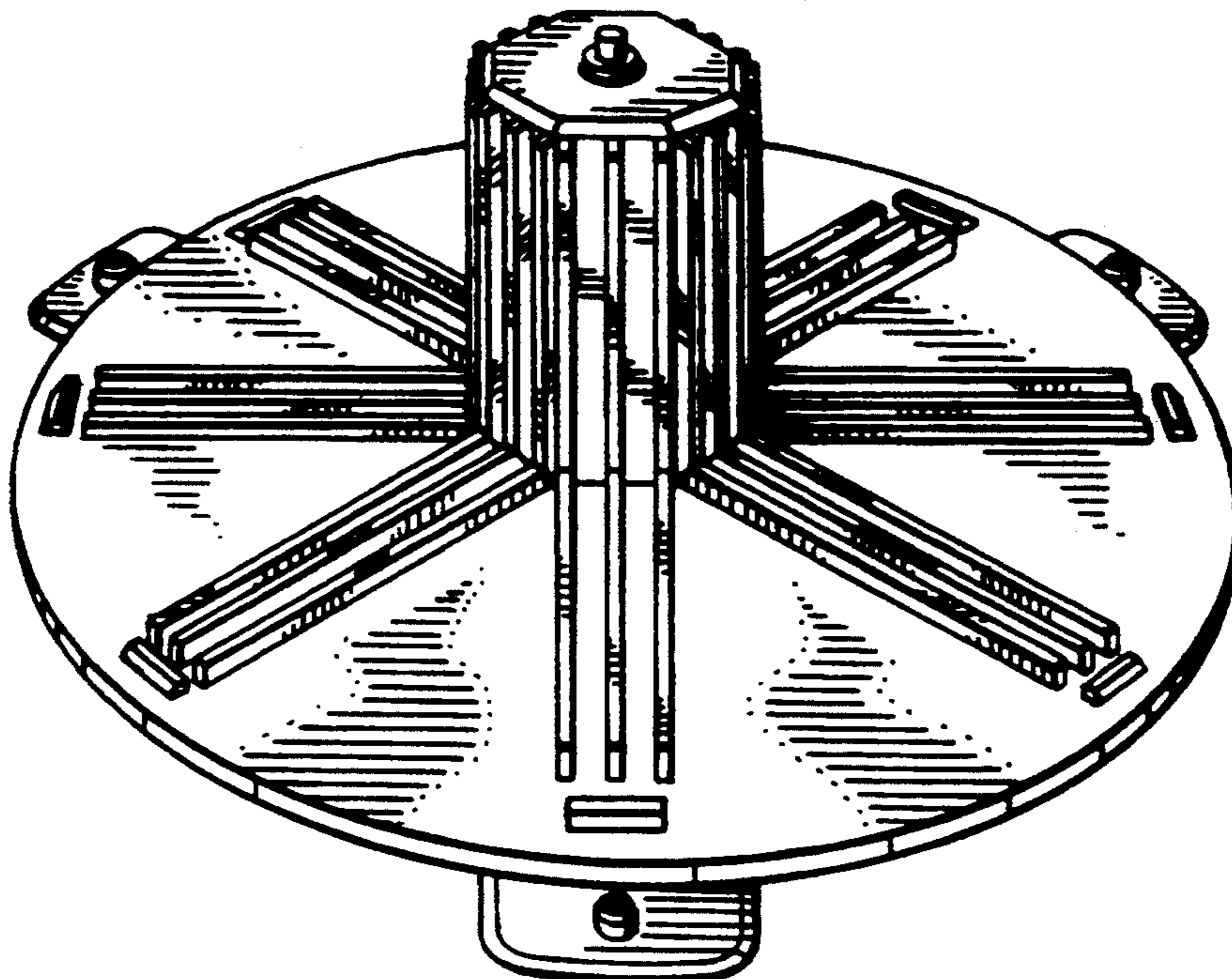
[58] Field of Search D6/396, 405, 406, 407, D6/465, 466, 467, 468, 626-635; D14/121; D19/75, 83, 86, 91; 211/40, 41, 42; 206/387

FIG. 1 is a top, front isometric view of a compact disc carousel according to a first embodiment of the invention;
FIG. 2 is a top plan thereof;
FIG. 3 is a bottom plan thereof;
FIG. 4 is a front elevation thereof;
FIG. 5 is a view of one side thereof;
FIG. 6 is a rear elevation thereof;
FIG. 7 is a view of the side opposite FIG. 5; and,
FIG. 8 is a top, front isometric view of a compact disc carousel according to a second embodiment of the invention.

[56] **References Cited**

U.S. PATENT DOCUMENTS

D. 195,412	6/1963	Vernik	D6/407
D. 221,237	7/1971	Cannon	206/387 X
D. 240,384	7/1976	Rumble	D6/407 X
D. 253,267	10/1979	Perrella	D6/407 X
D. 277,905	3/1985	Barber	D6/457 X
1,381,525	6/1921	Wagoner et al.	211/40
2,906,408	9/1959	Motyka et al.	211/40



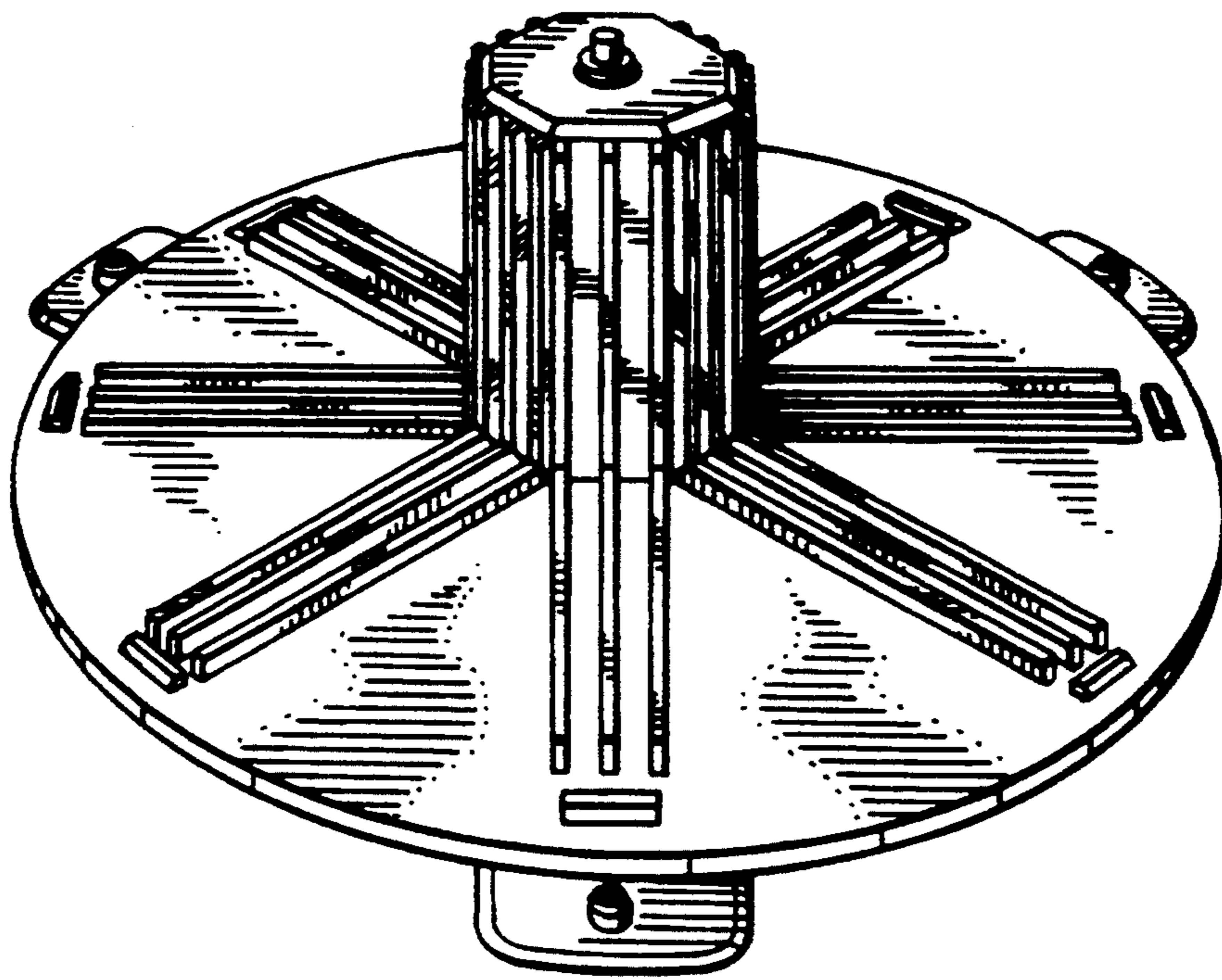


FIG. 1

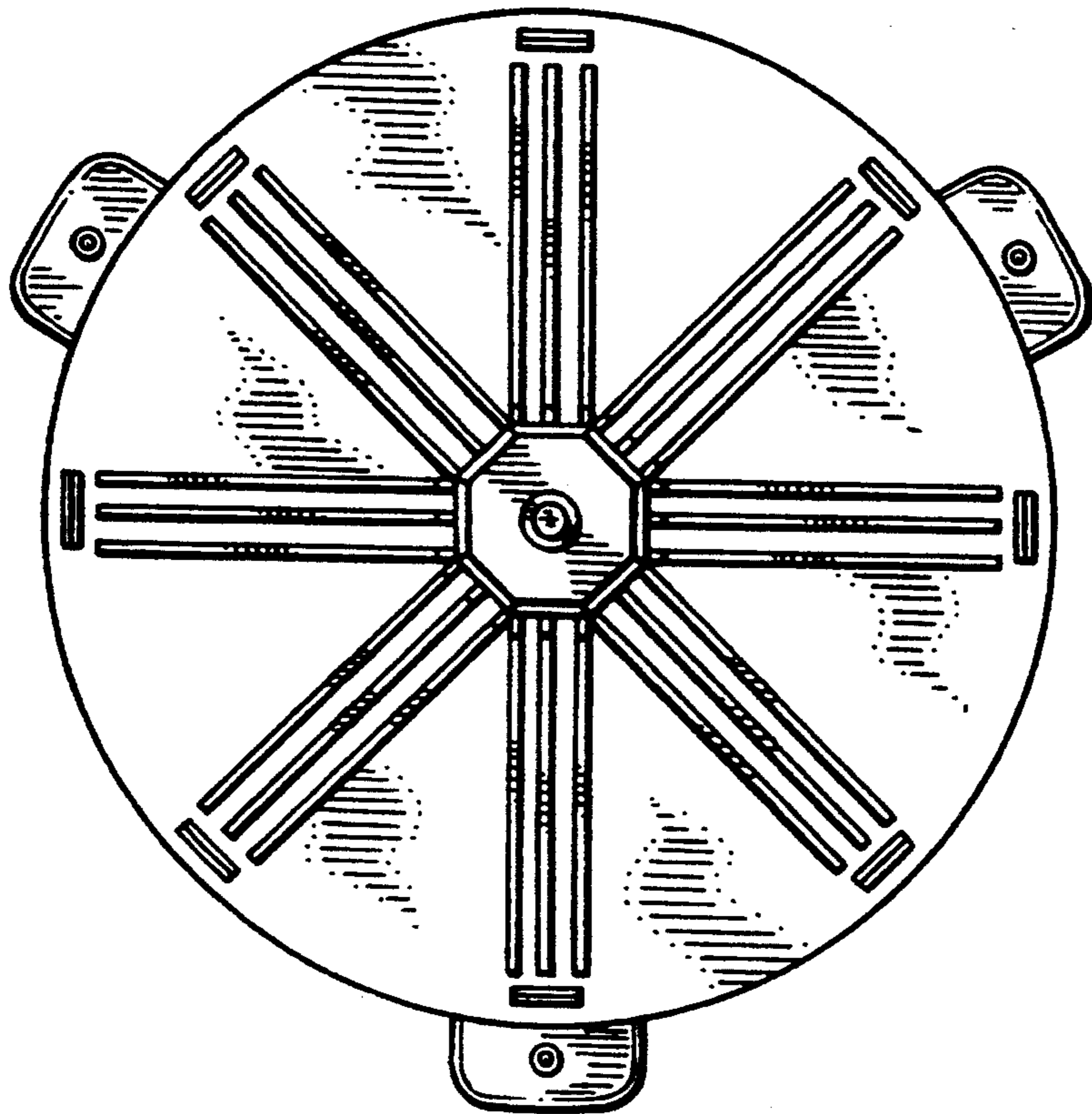


FIG. 2

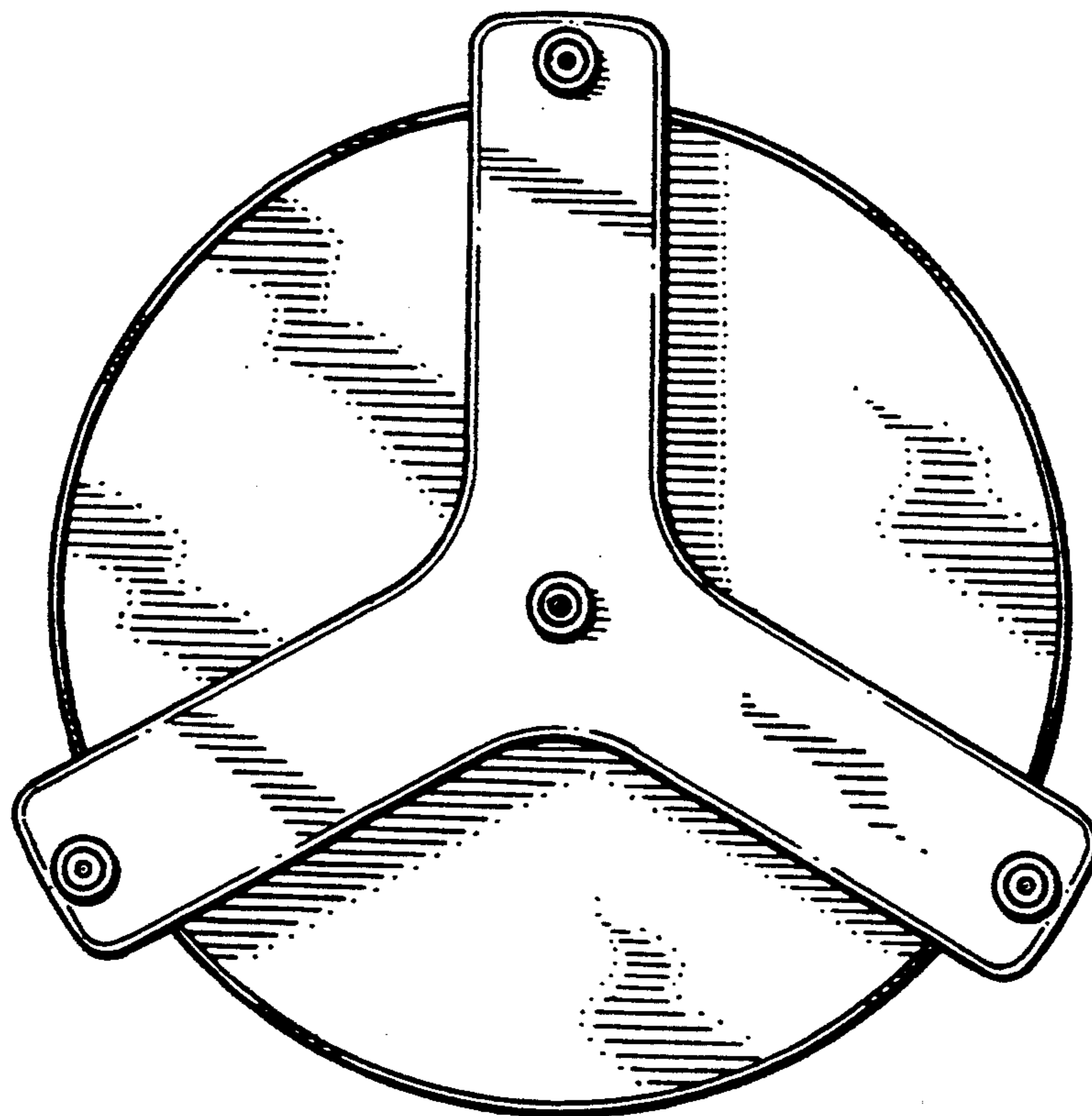


FIG. 3

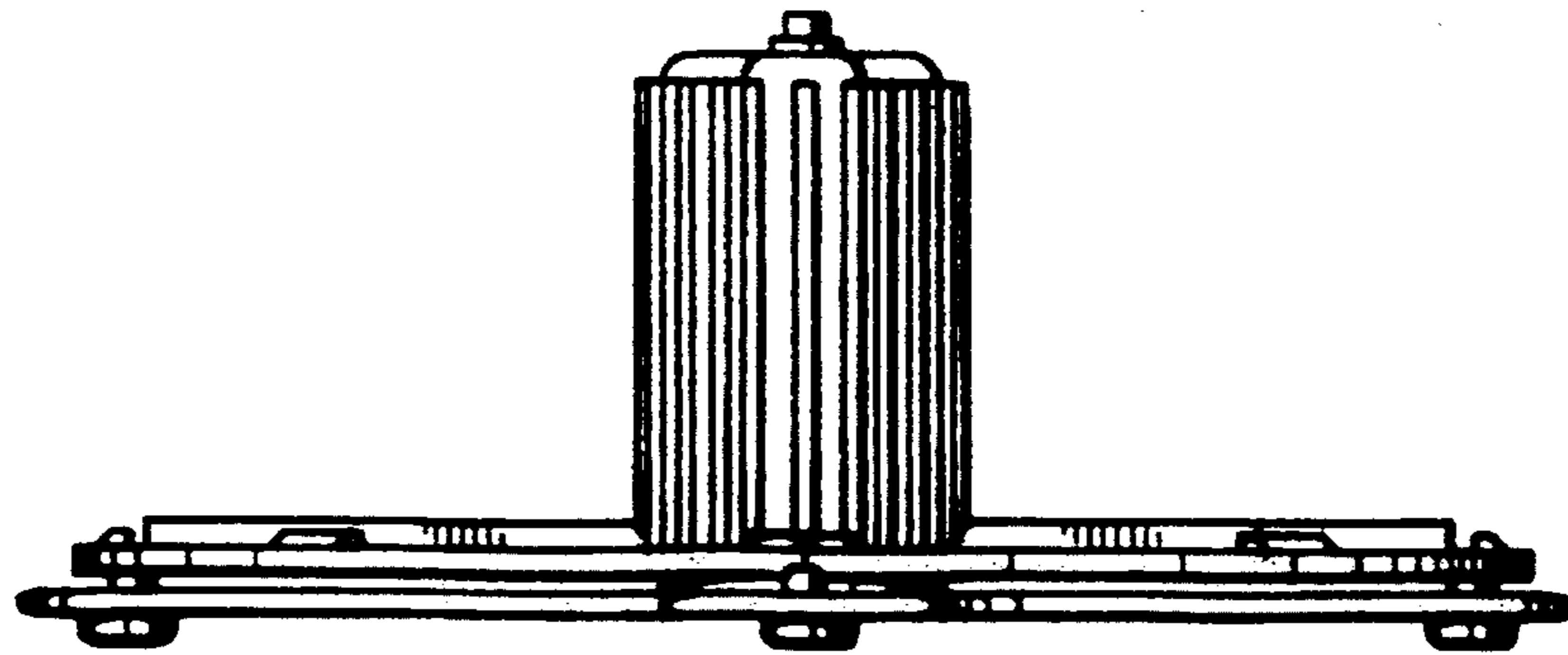


FIG. 4

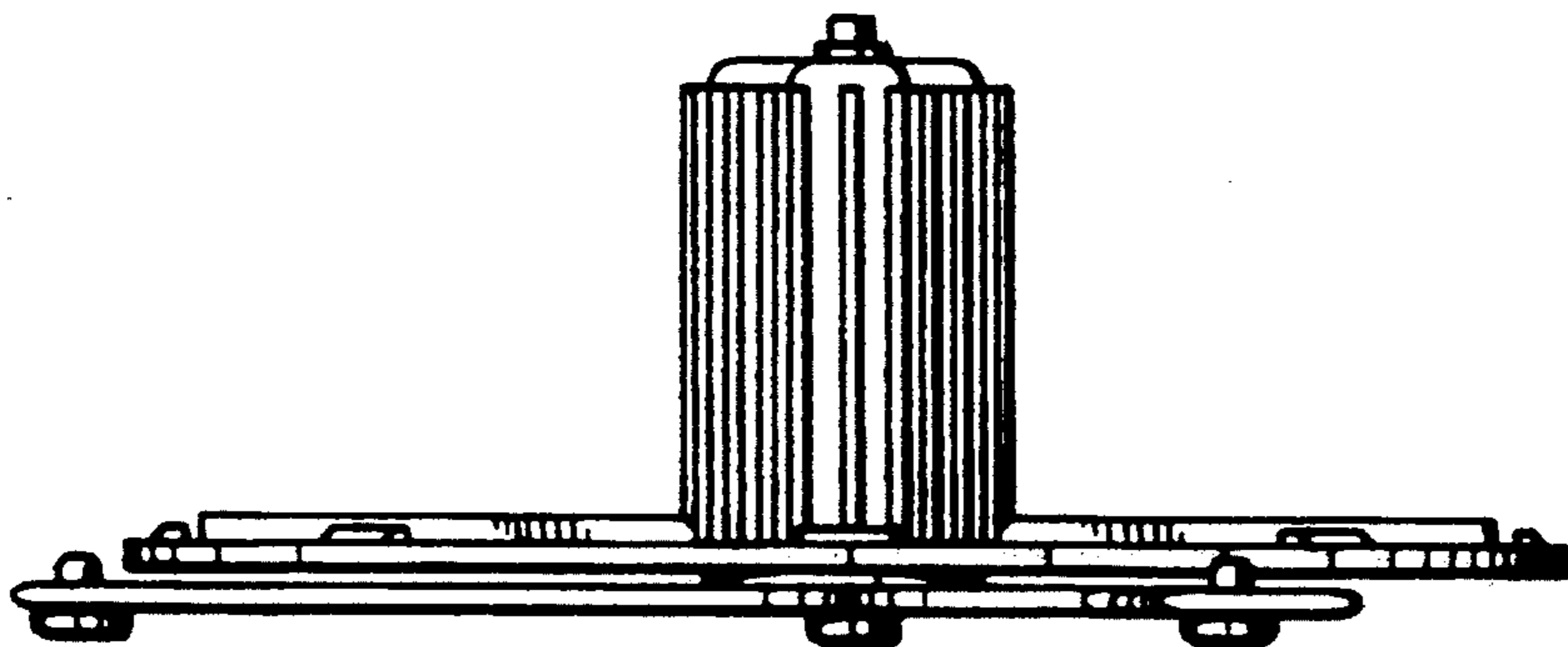


FIG. 5

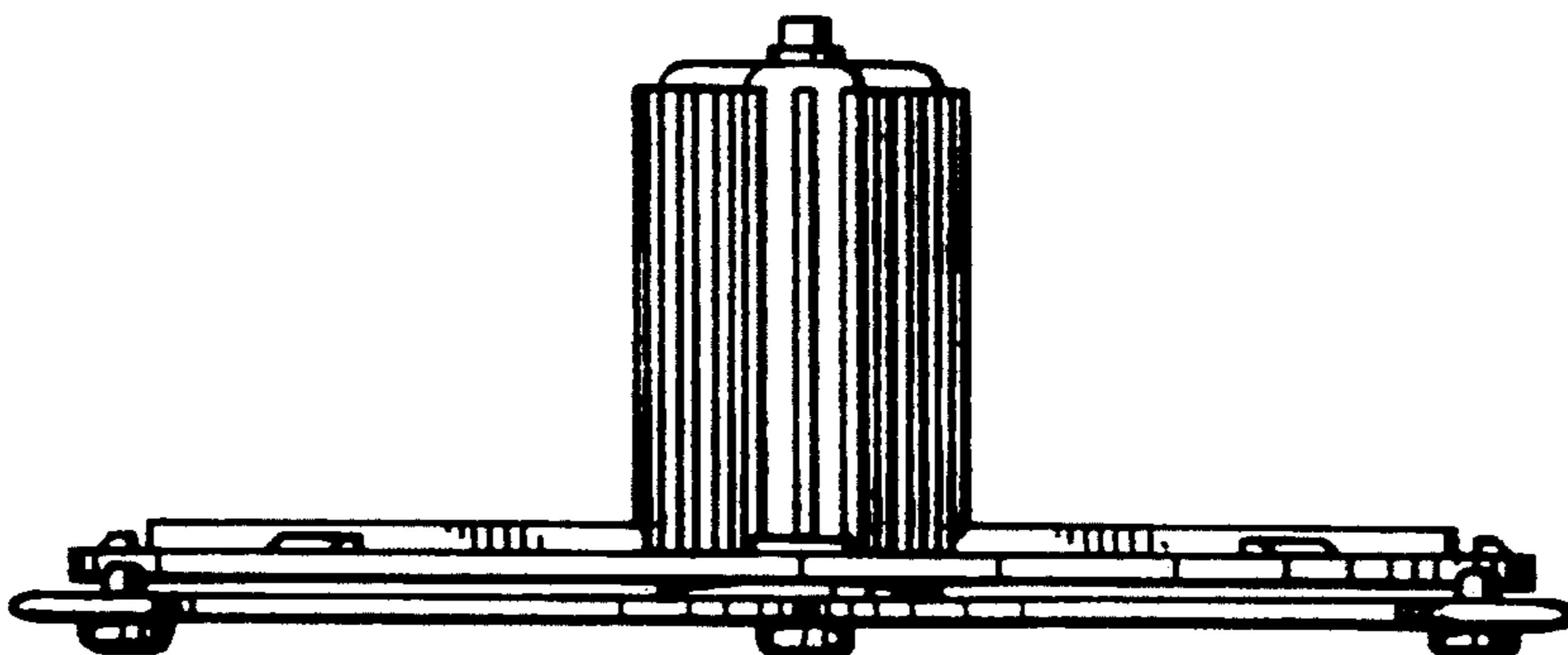


FIG. 6

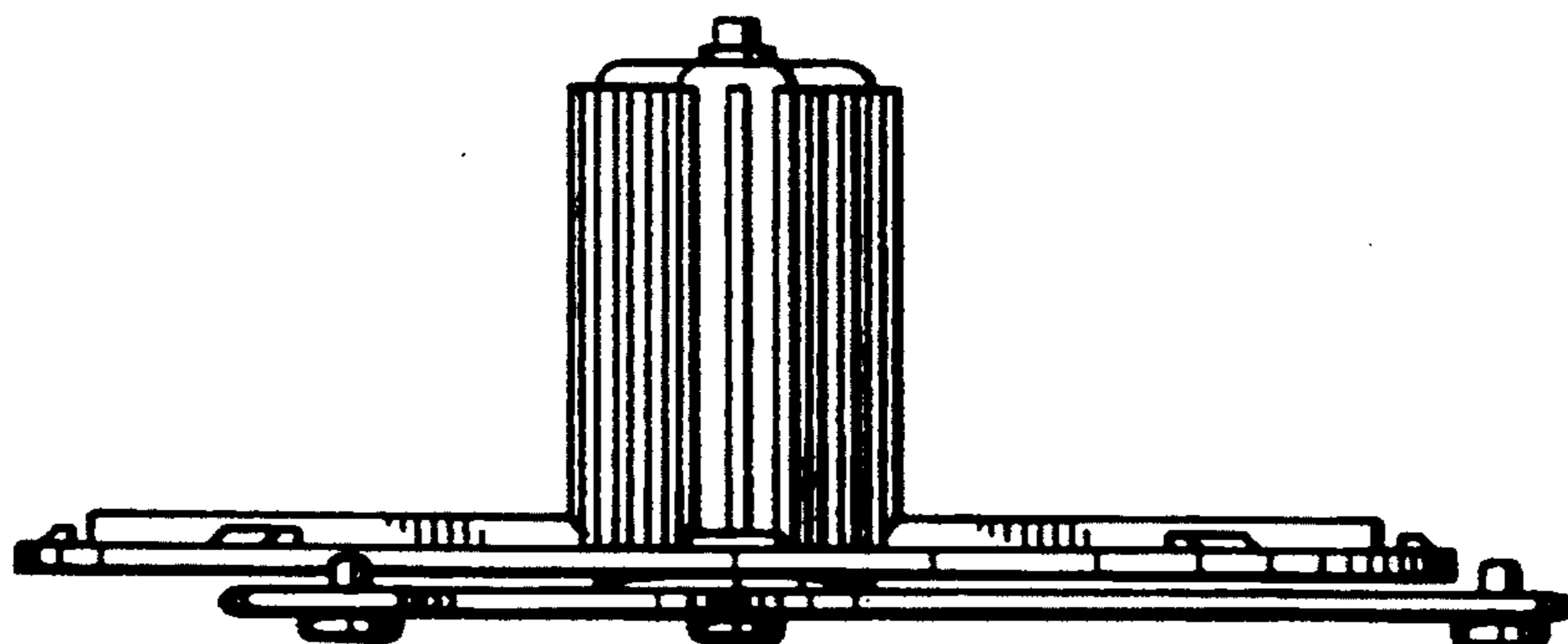


FIG. 7

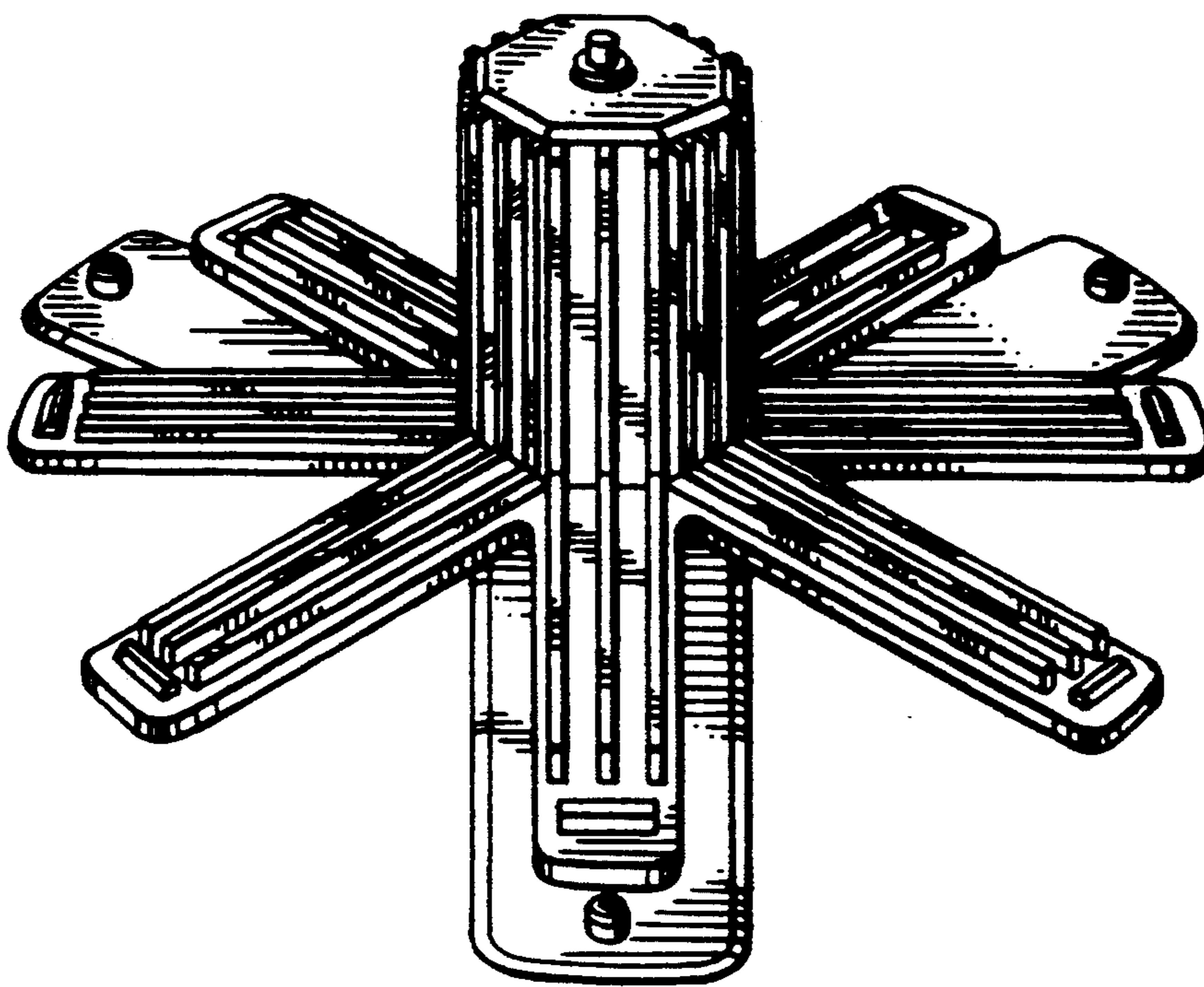


FIG. 8