



US00D356693S

United States Patent [19]

Meier

[11] Patent Number: **Des. 356,693**

[45] Date of Patent: **** Mar. 28, 1995**

[54] **COMBINED TRUCK SEAT, CENTER CONSOLE, AND CUP HOLDER UNIT**

5,161,854 11/1992 Yokoto et al. 297/452.16 X
5,188,442 2/1993 Harty et al. 297/192 X
5,251,963 10/1993 Inayoshi et al. 297/452.12 X

[75] Inventor: **Louis M. Meier, Dubuque, Iowa**

[73] Assignee: **Flexsteel Industries, Inc., Dubuque, Iowa**

Primary Examiner—A. Hugo Word
Assistant Examiner—Monica A. Hannon
Attorney, Agent, or Firm—David C. Brezina

[**] Term: **14 Years**

[57] **CLAIM**

[21] Appl. No.: **13,663**

The ornamental design for a combined truck seat, center console, and cup holder unit, as shown and described.

[22] Filed: **Sep. 29, 1993**

[52] U.S. Cl. **D6/356; D6/335; D6/336**

DESCRIPTION

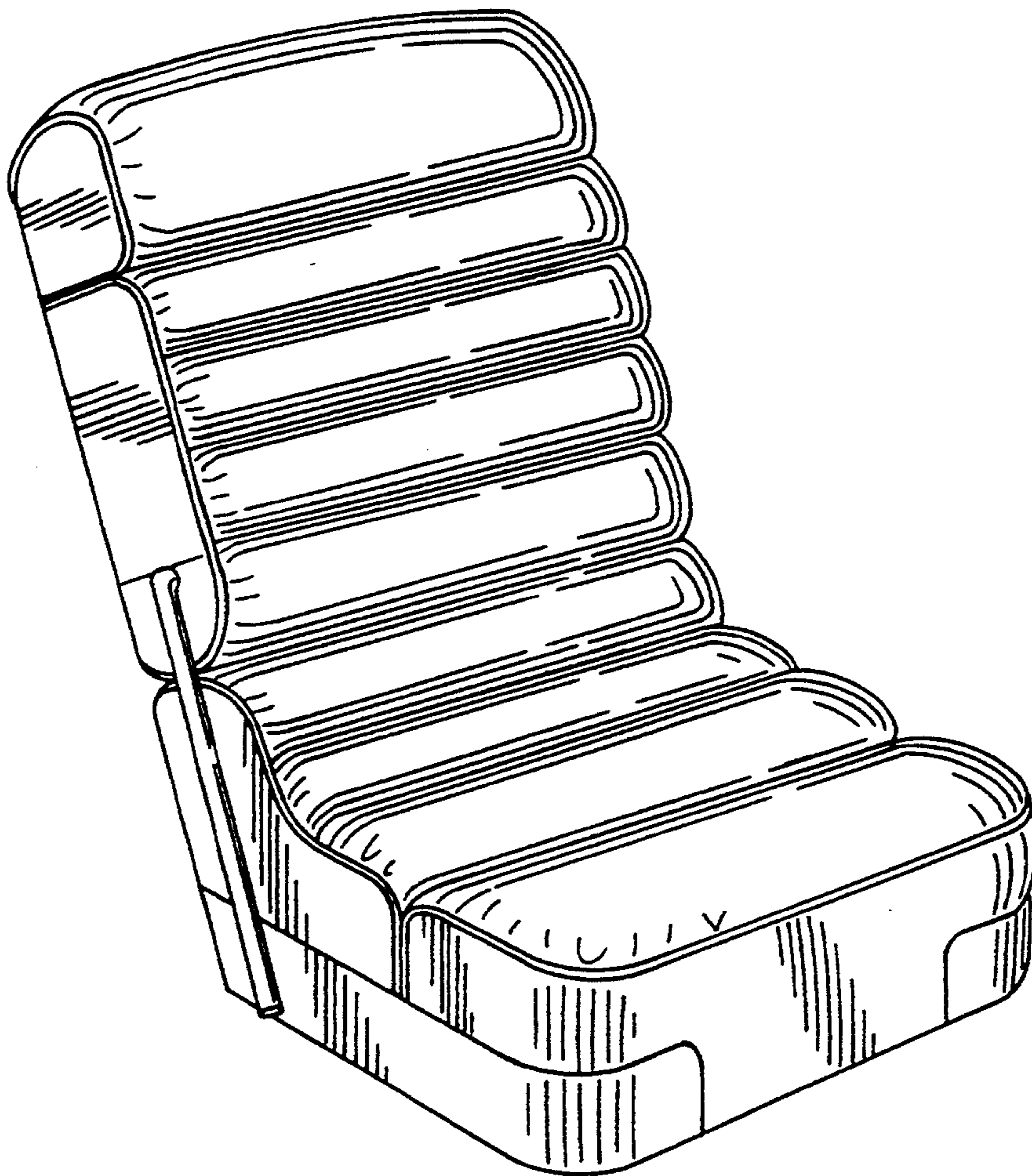
[58] **Field of Search** D6/333, 334, 335, 336, D6/344, 345, 346, 347, 351, 353, 356, 358, 359, 390, 500, 501, 502; 297/181, 191, 192, 193, 184.13, 260, 274, 452.12, 452.15, 452.16, 452.7; 5/481; D12/411, 415, 419

FIG. 1 is a front perspective view of a combined truck seat, center console, and cup holder unit showing my new design;
FIG. 2 is a right side elevational view thereof;
FIG. 3 is a front elevational view thereof;
FIG. 4 is a rear elevational view thereof;
FIG. 5 is a top plan view thereof;
FIG. 6 is a bottom plan view thereof;
FIG. 7 is a rear perspective view thereof; and,
FIG. 8 is a front perspective view in the arm rest position with the front cup holder opened thereof.

[56] **References Cited**

U.S. PATENT DOCUMENTS

D. 268,973 5/1983 White D6/356
D. 341,249 11/1993 Scheurer D12/420
5,029,928 7/1991 Huber 297/191 X



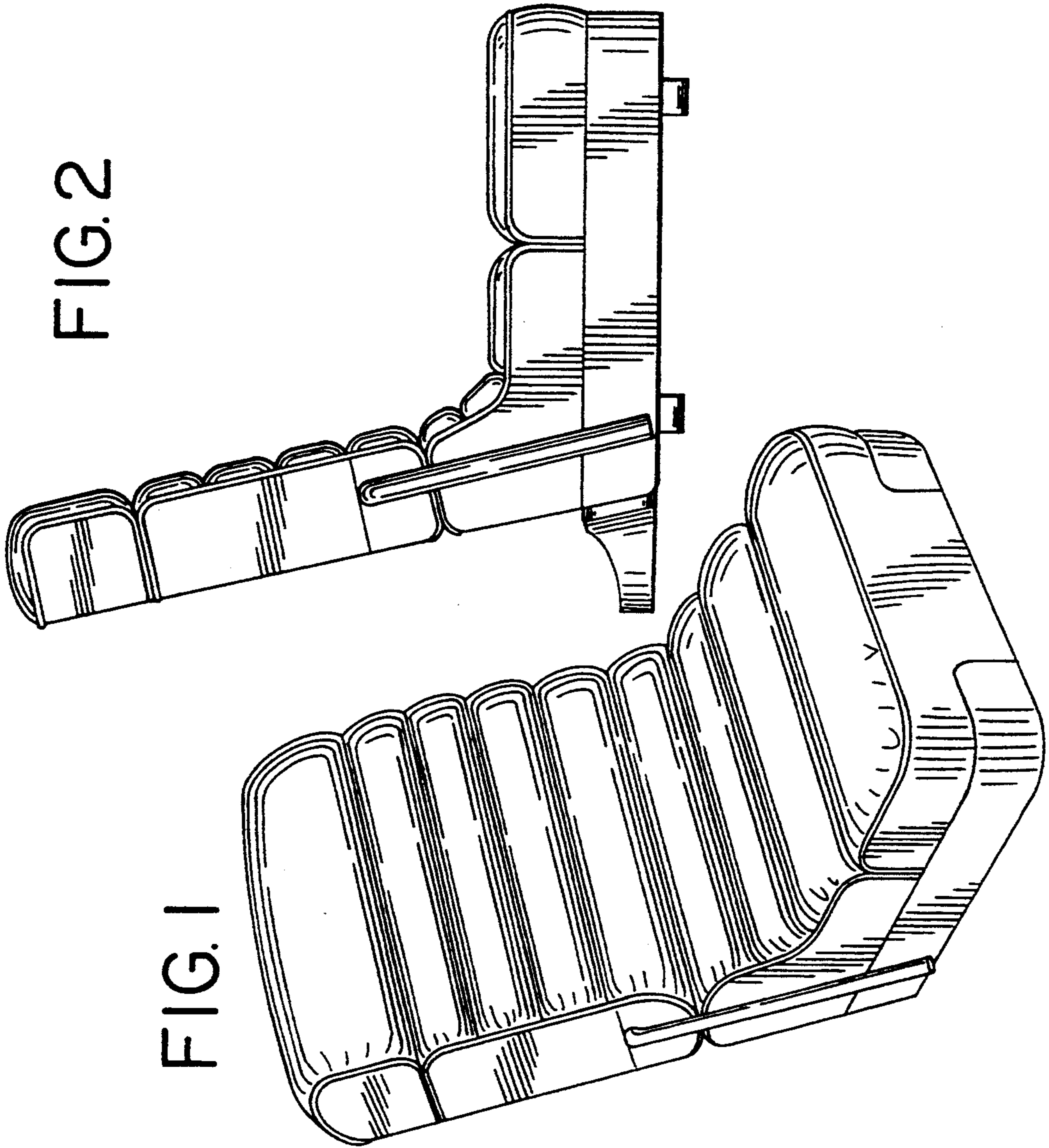


FIG. 3

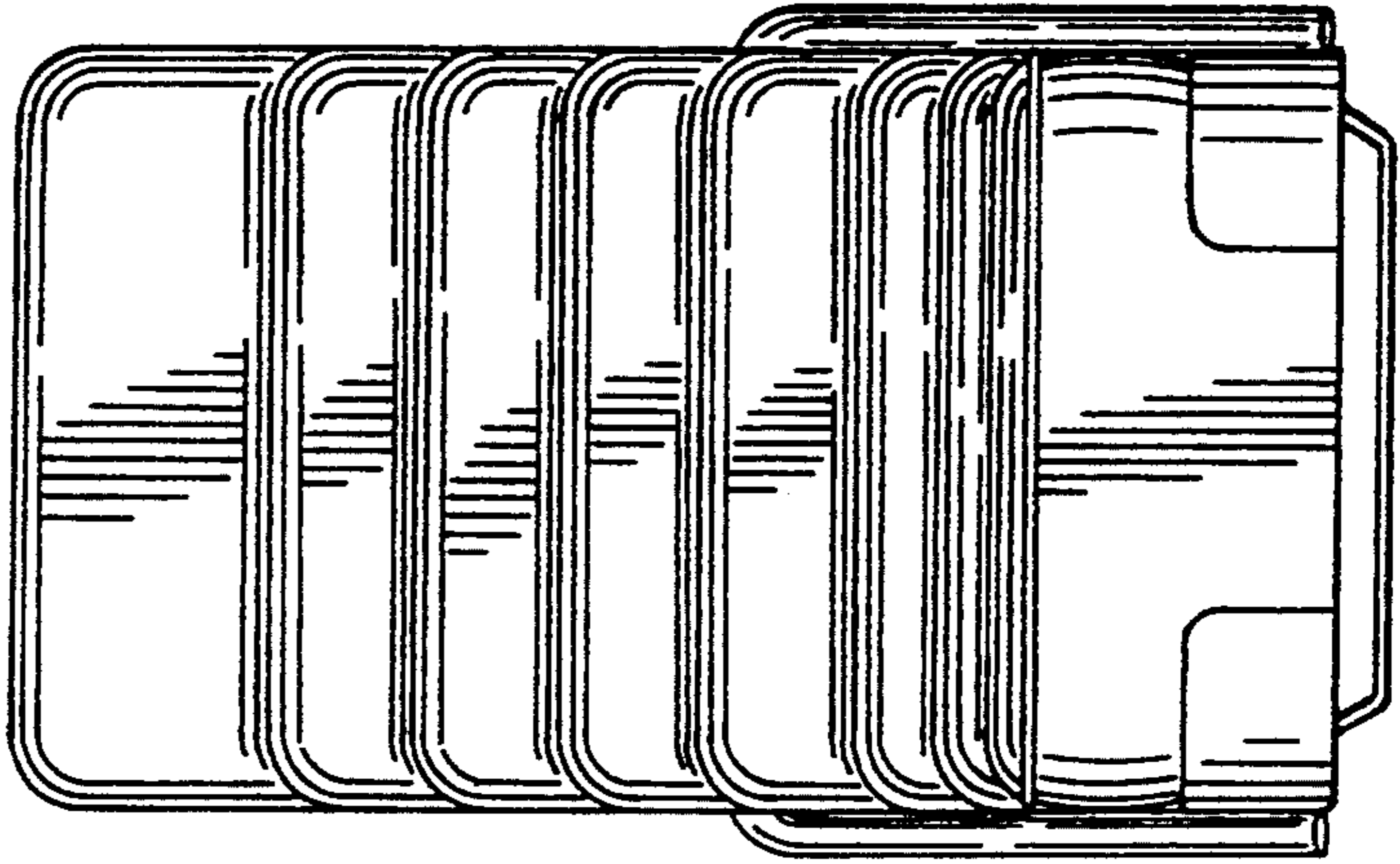


FIG. 5

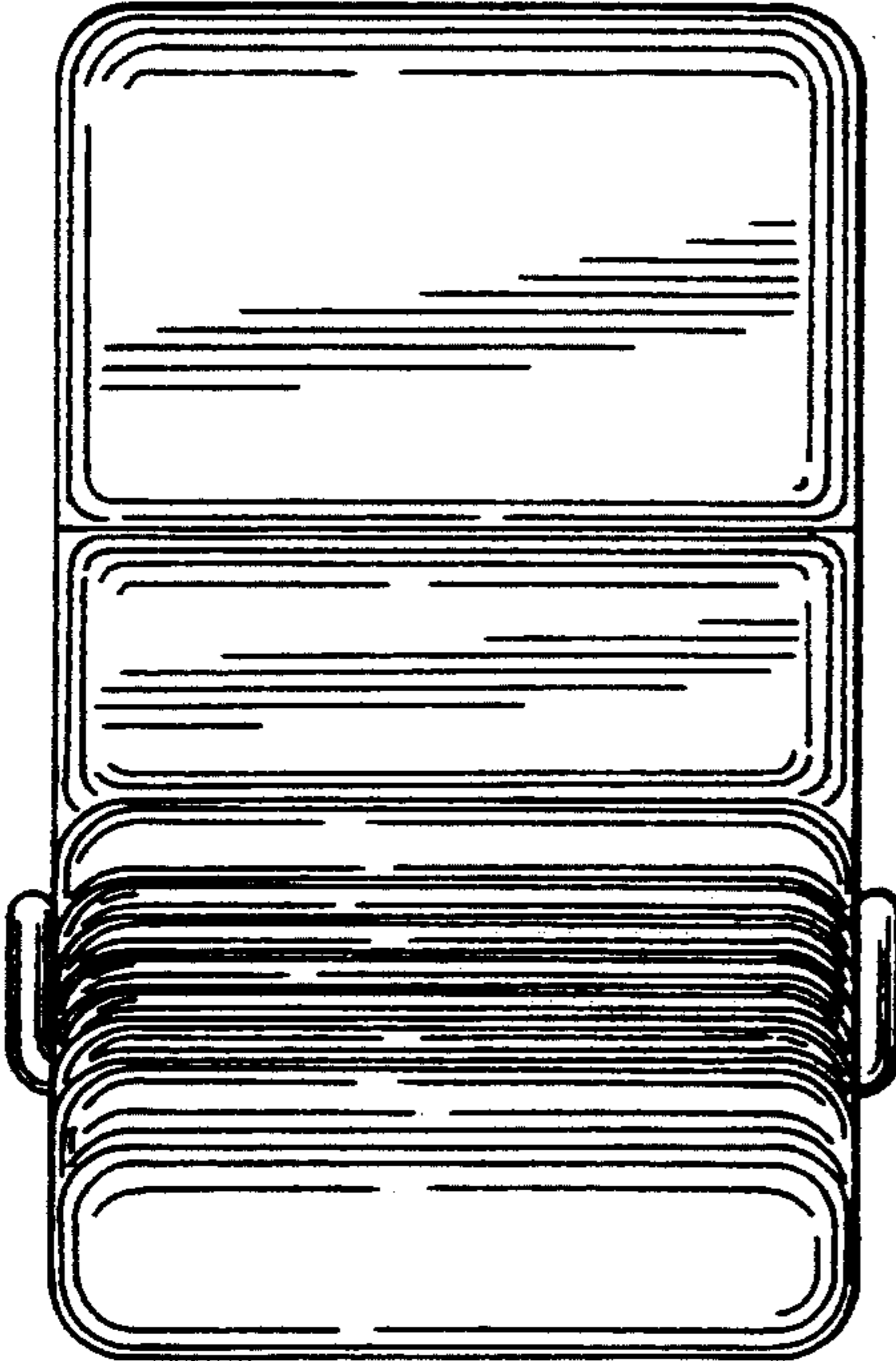


FIG. 6

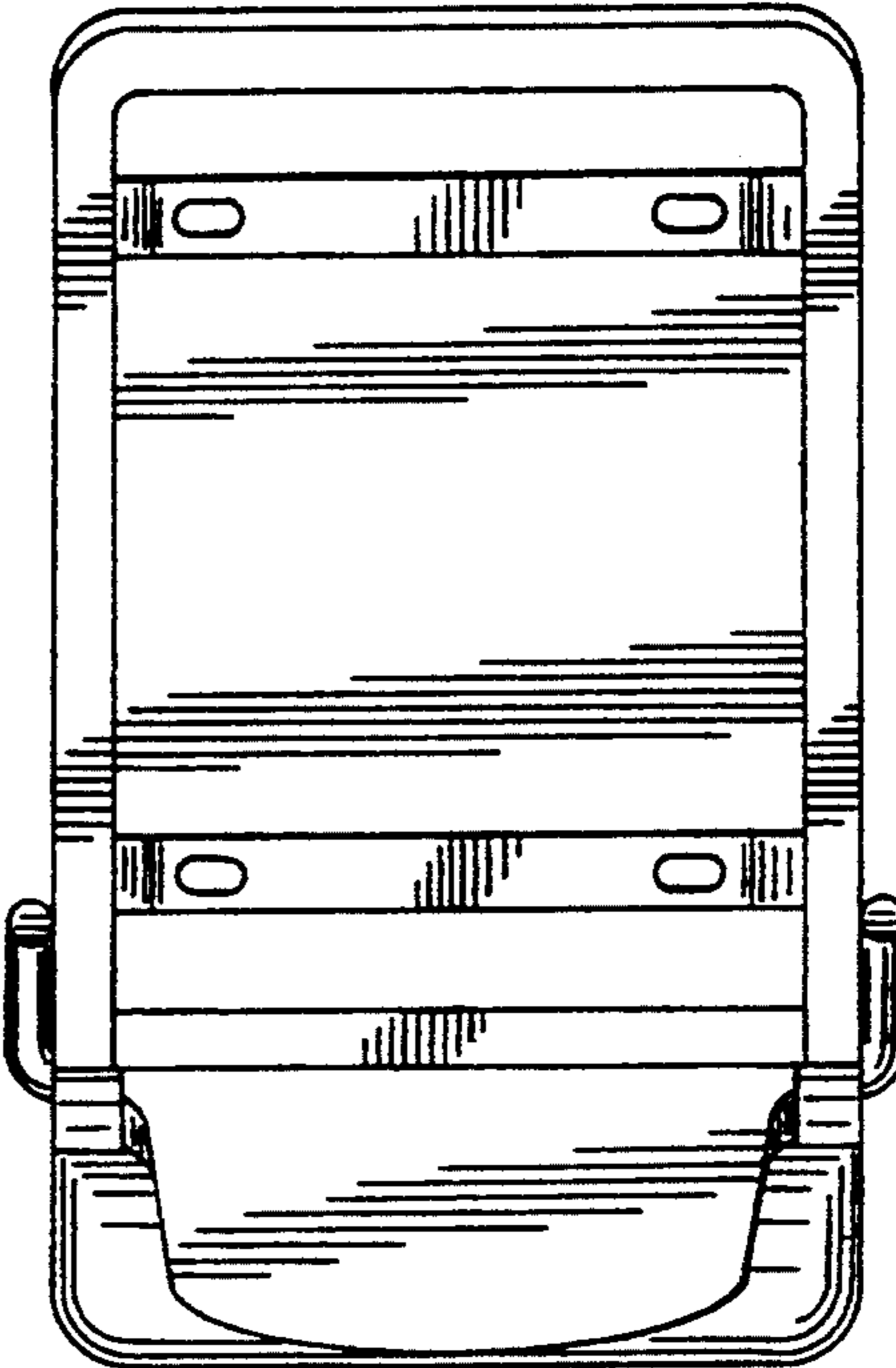


FIG. 4

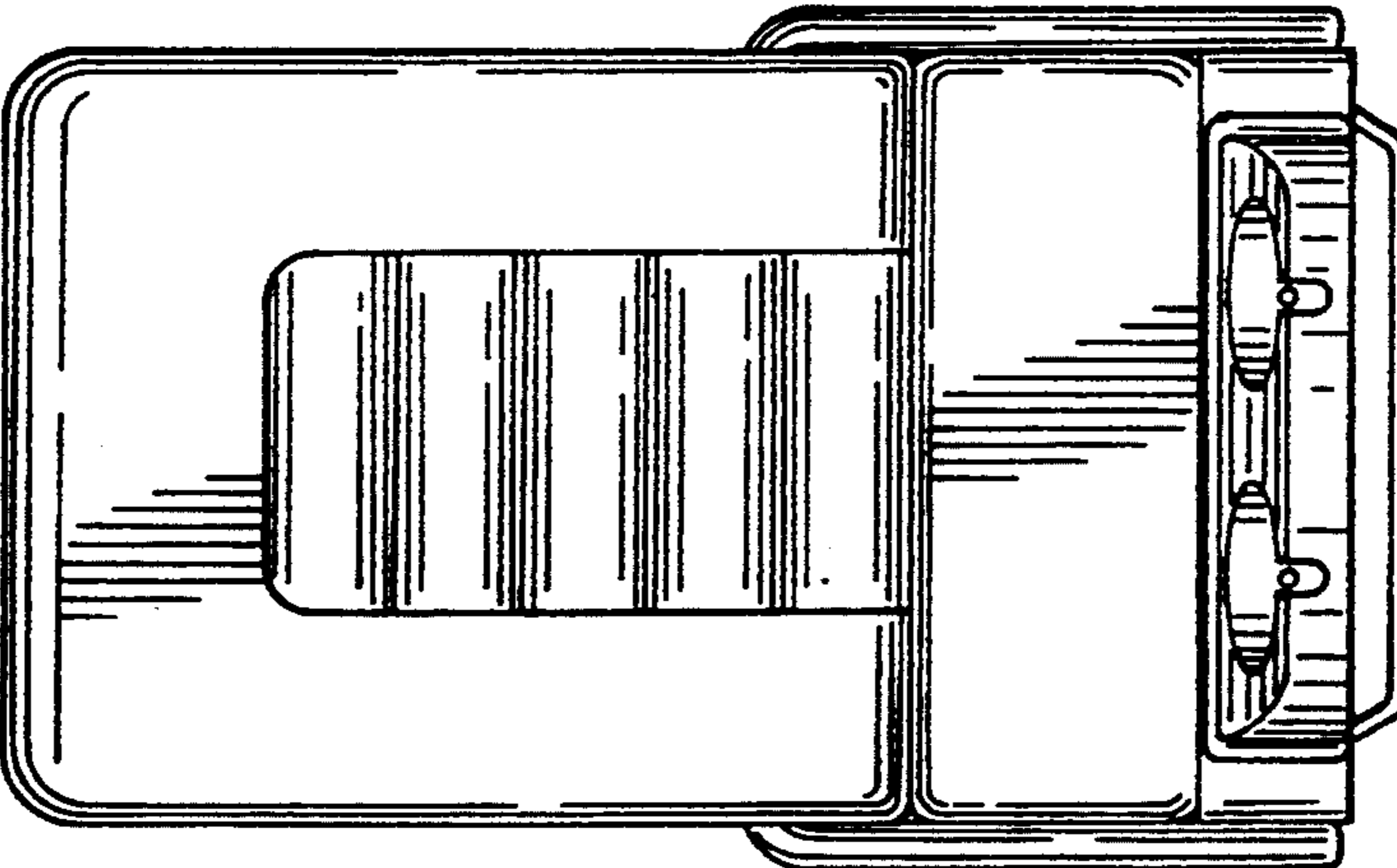


FIG. 7

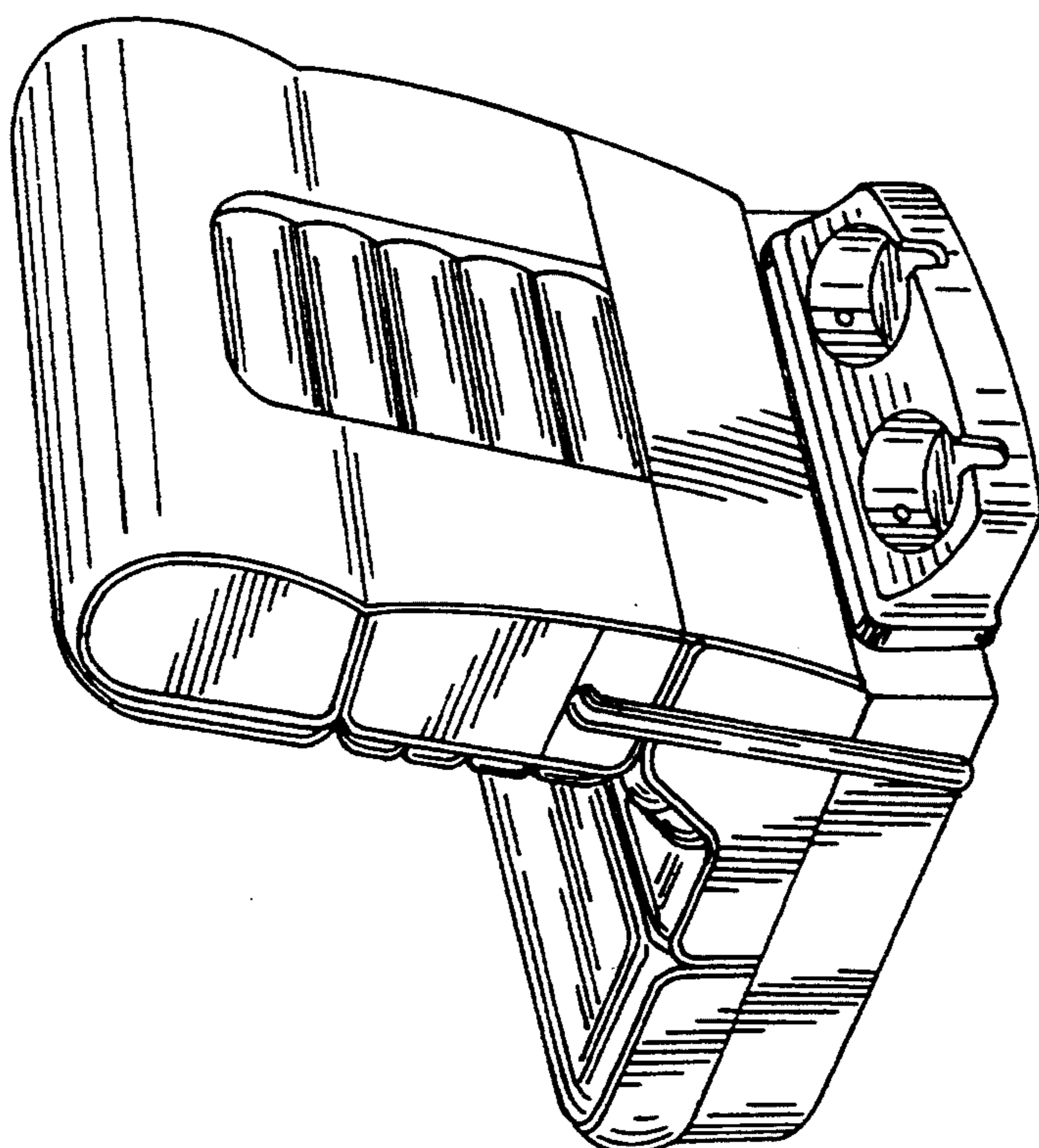


FIG. 8

