



US00D356691S

# United States Patent [19]

[11] Patent Number: **Des. 356,691**

Lin

[45] Date of Patent: **\*\* Mar. 28, 1995**

[54] **CHAIR AND DESK ASSEMBLY**

[76] Inventor: **Hanson Lin**, No. 8, Lane 561, Ming Shen Road, San Fong Tsuen, Da Ya Hsiang, Taichung Hsien, Taiwan, Prov. of China

[\*\*] Term: **14 Years**

[21] Appl. No.: **16,750**

[22] Filed: **Dec. 23, 1993**

[52] U.S. Cl. .... **D6/336**

[58] Field of Search ..... **D6/334, 335, 336, 338, D6/341, 371, 373, 500, 501, 502; 297/135, 170, 232**

[56] **References Cited**

**U.S. PATENT DOCUMENTS**

- D. 148,337 1/1948 Stein ..... D6/336
- D. 161,894 2/1951 Becker, Jr. .... D6/371
- D. 237,026 10/1975 Vogt ..... D6/336

**OTHER PUBLICATIONS**

Taylor Chair Co., Seat #7100-7 shown.

*Primary Examiner*—Alan P. Douglas  
*Assistant Examiner*—Gary D. Watson  
*Attorney, Agent, or Firm*—Charles E. Baxley

[57] **CLAIM**

The ornamental design for a chair and desk assembly, as shown and described.

**DESCRIPTION**

FIG. 1 is a perspective view of a chair and desk assembly showing my new design;

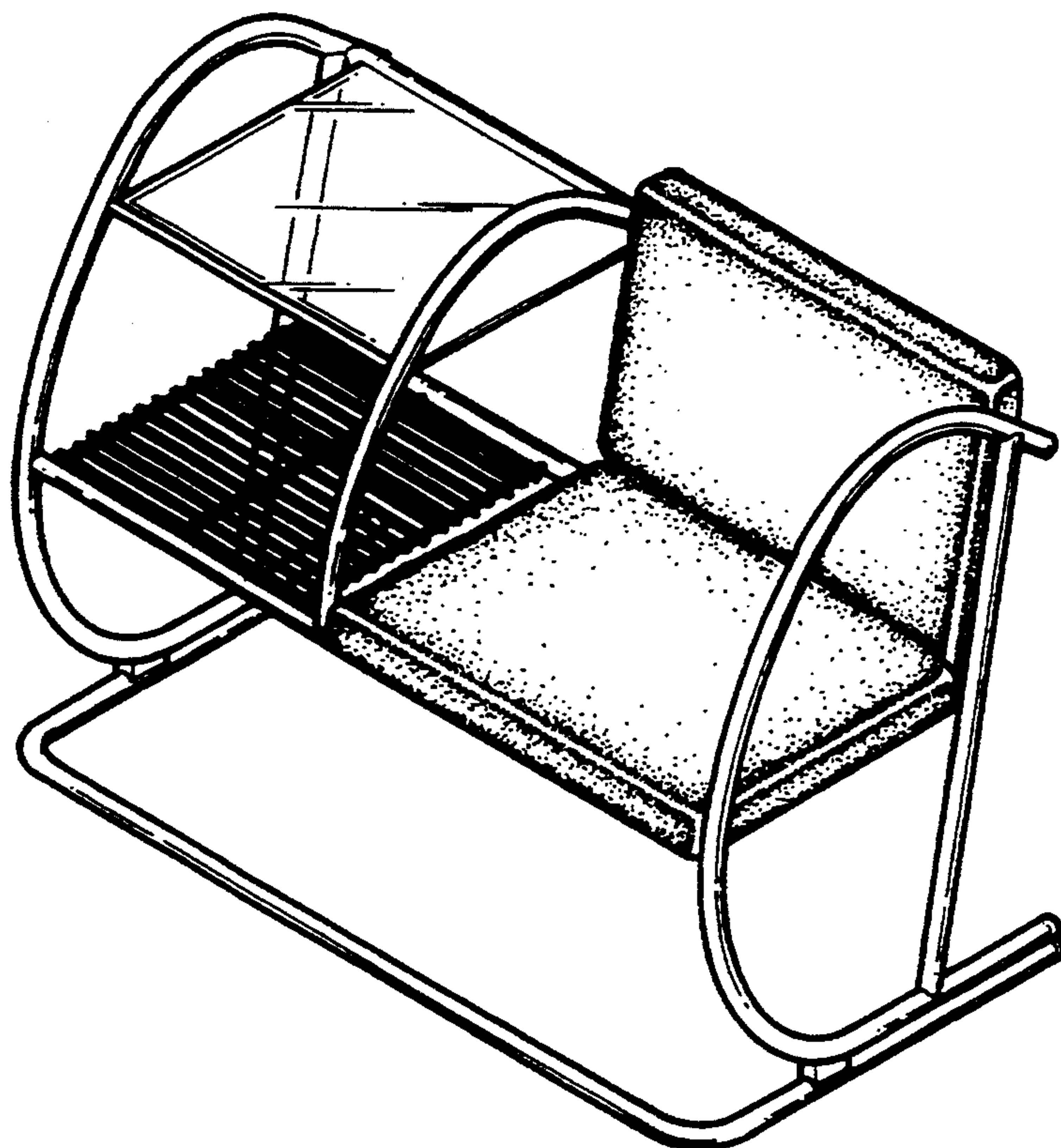
FIG. 2 is a front elevational view thereof;

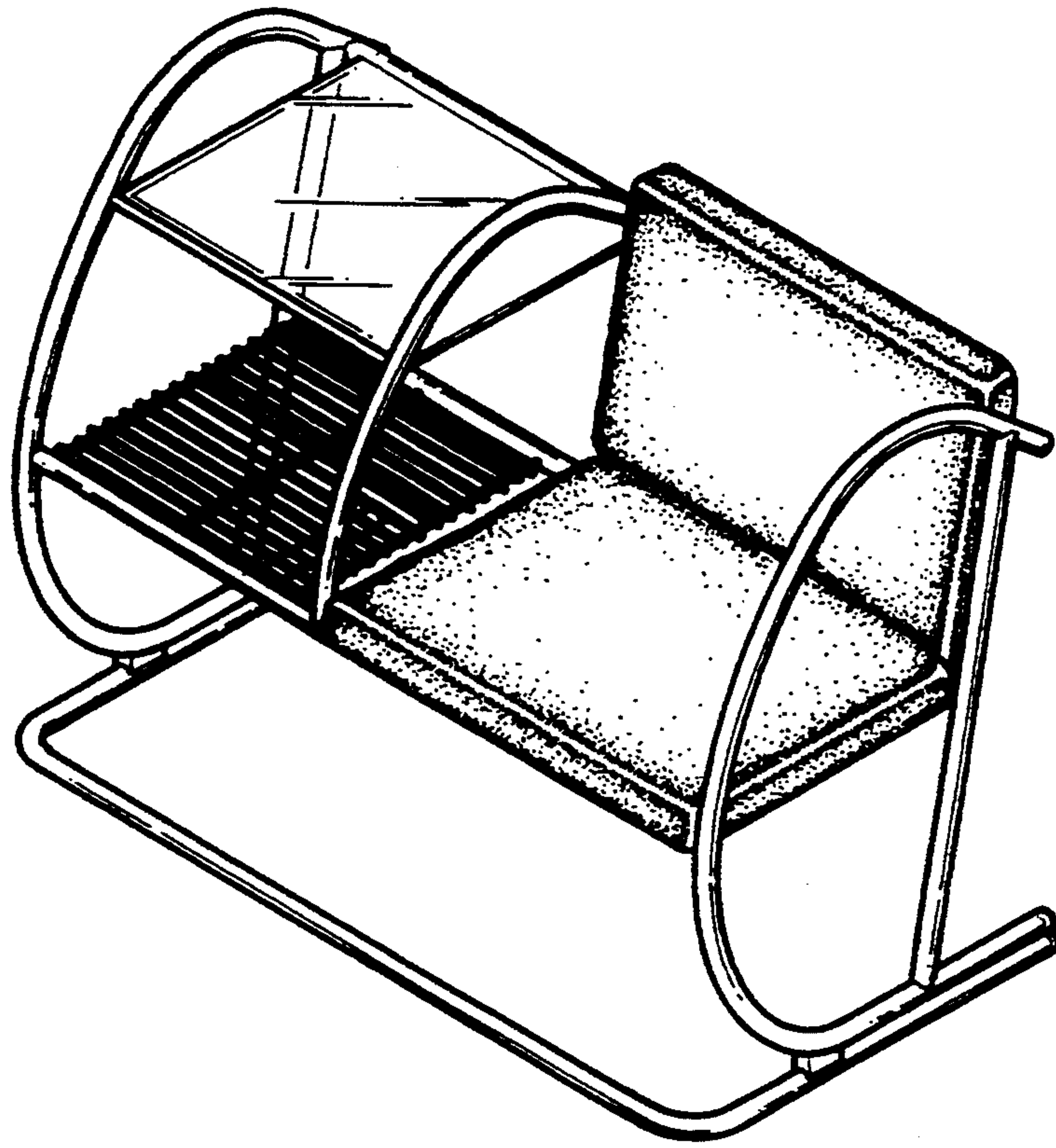
FIG. 3 is a rear elevational view thereof;

FIG. 4 is a right side elevational view thereof, and the left side being a mirror image of that shown;

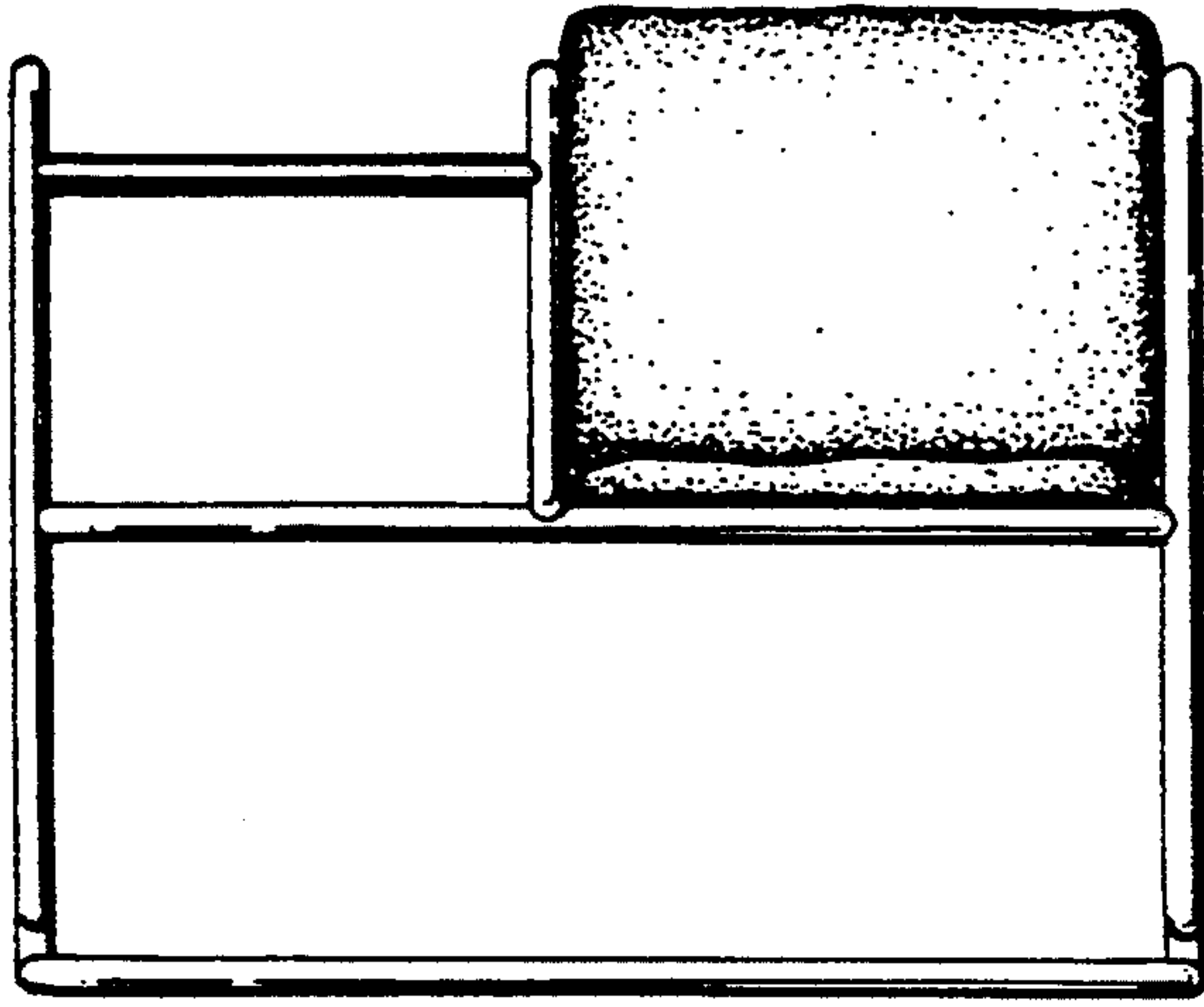
FIG. 5 is a top plan view thereof; and,

FIG. 6 is a bottom plan view thereof.

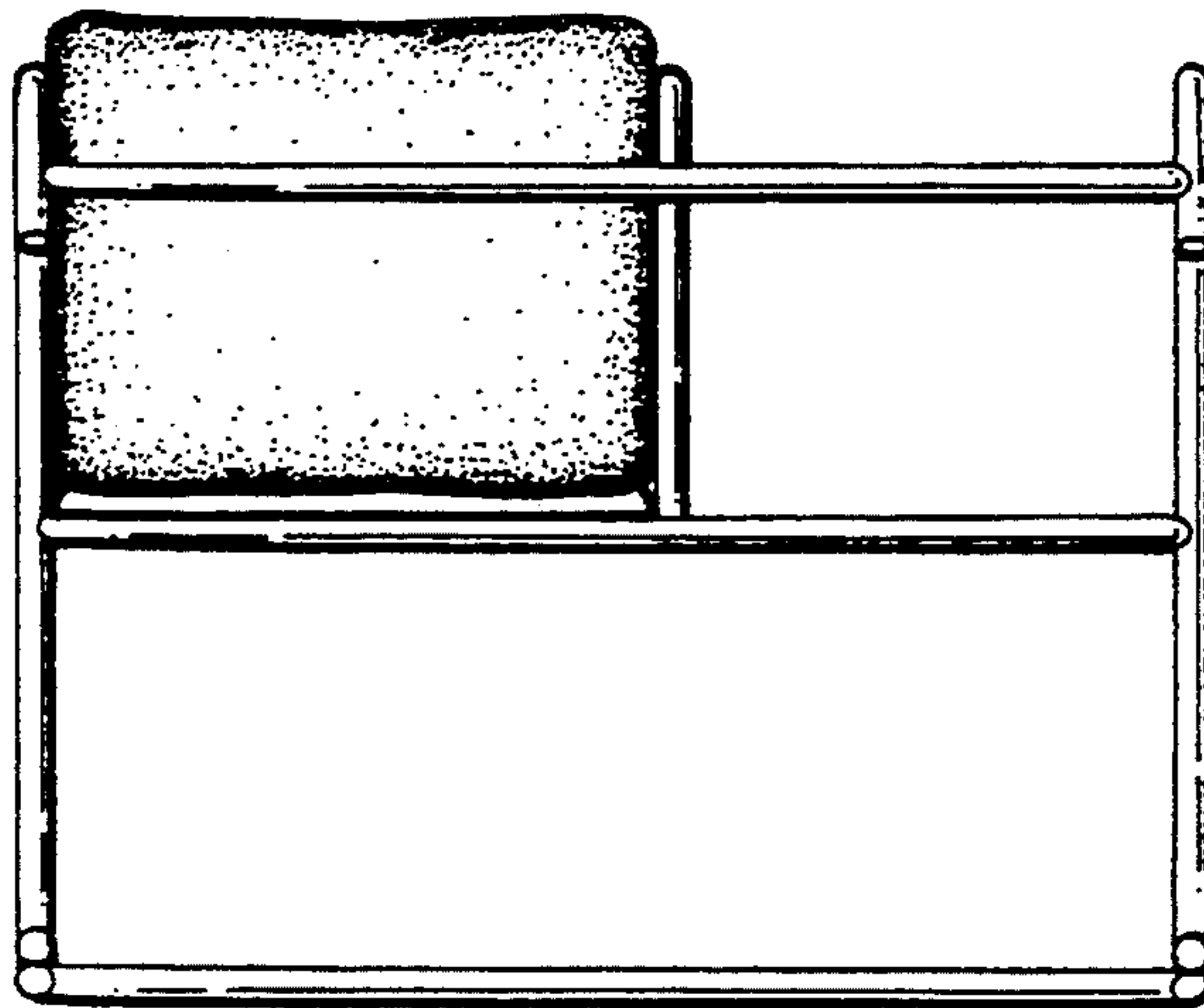




**Fig 1**



**Fig 2**



**Fig 3**

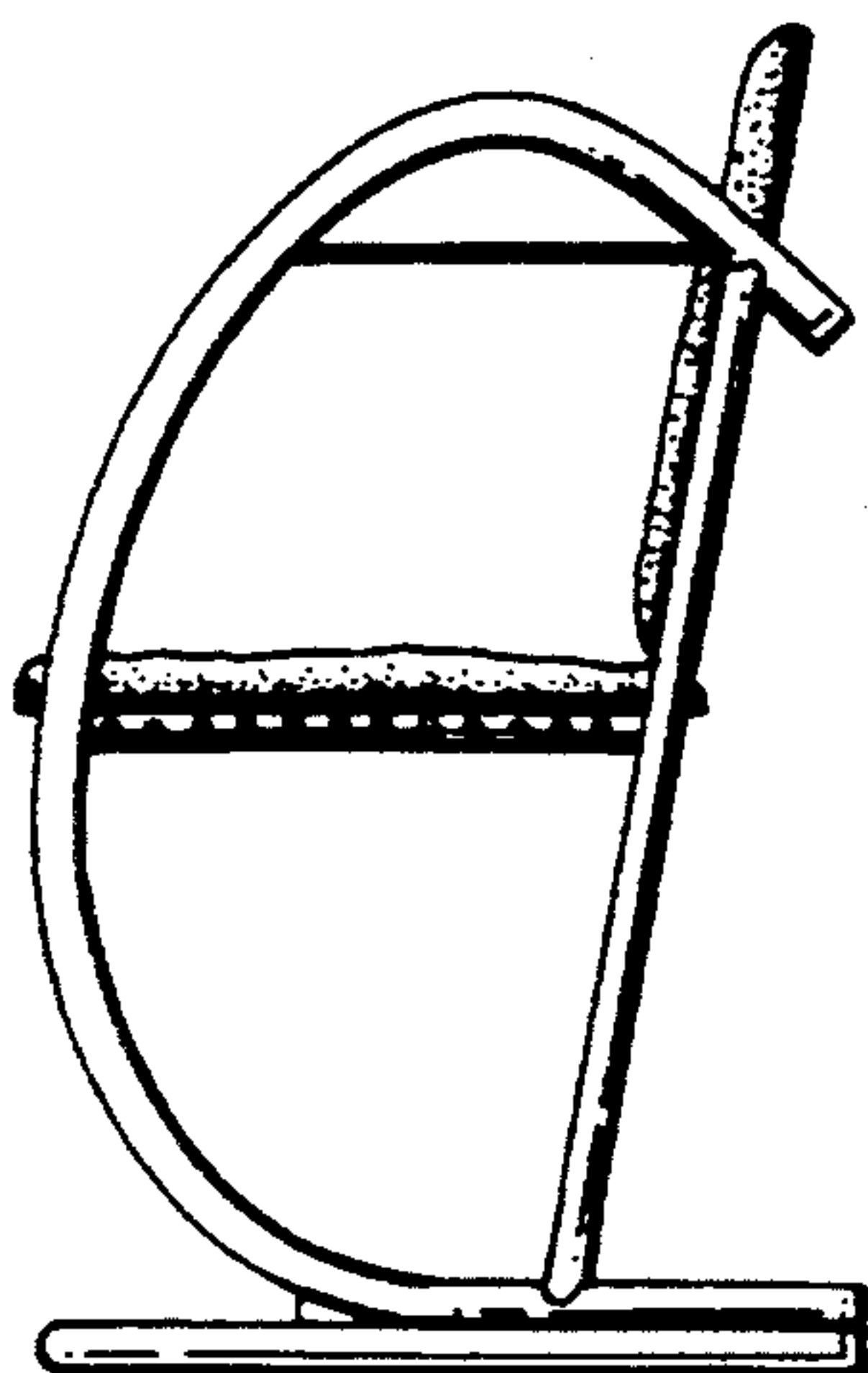


Fig 4

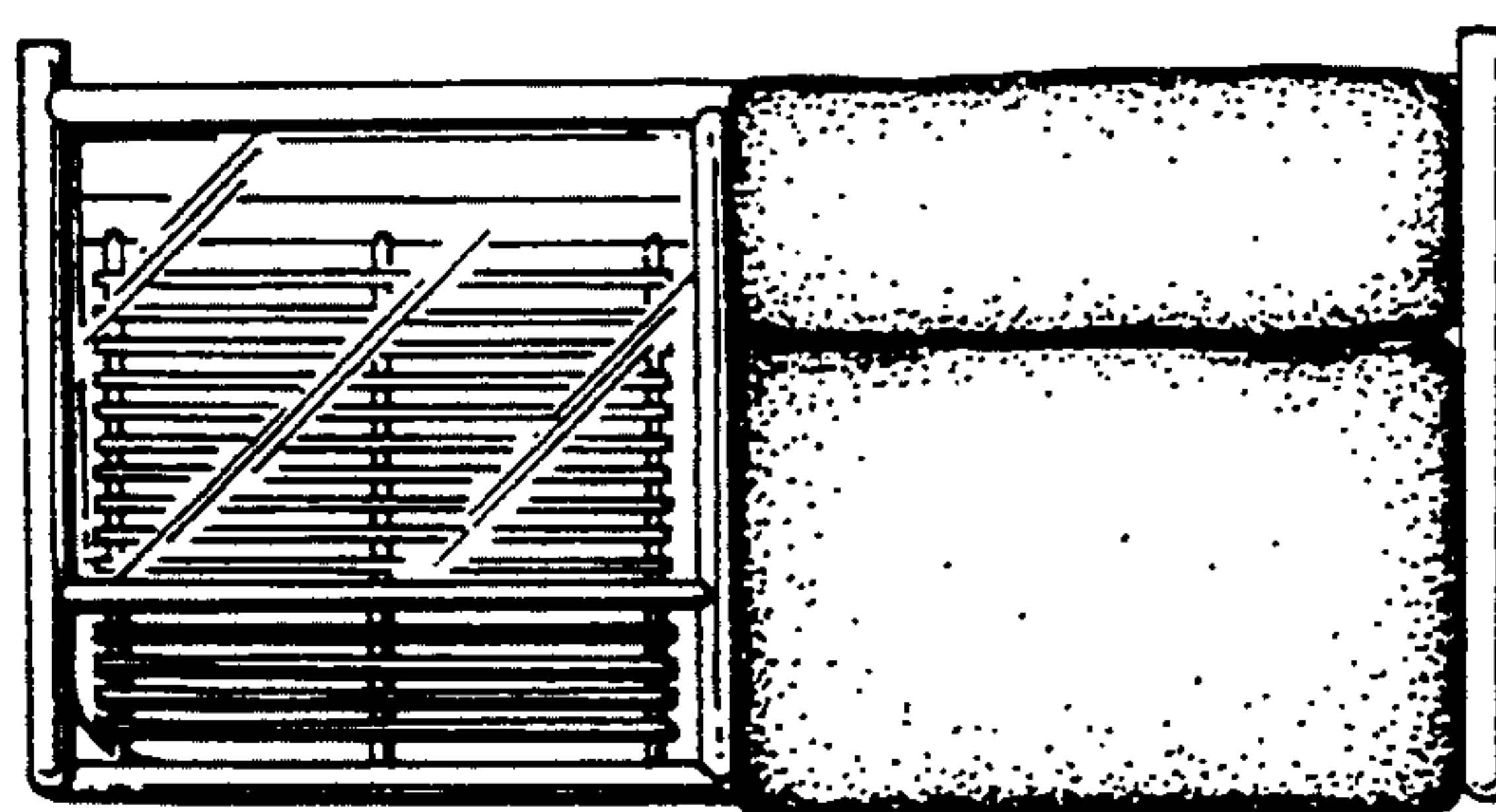


Fig 5

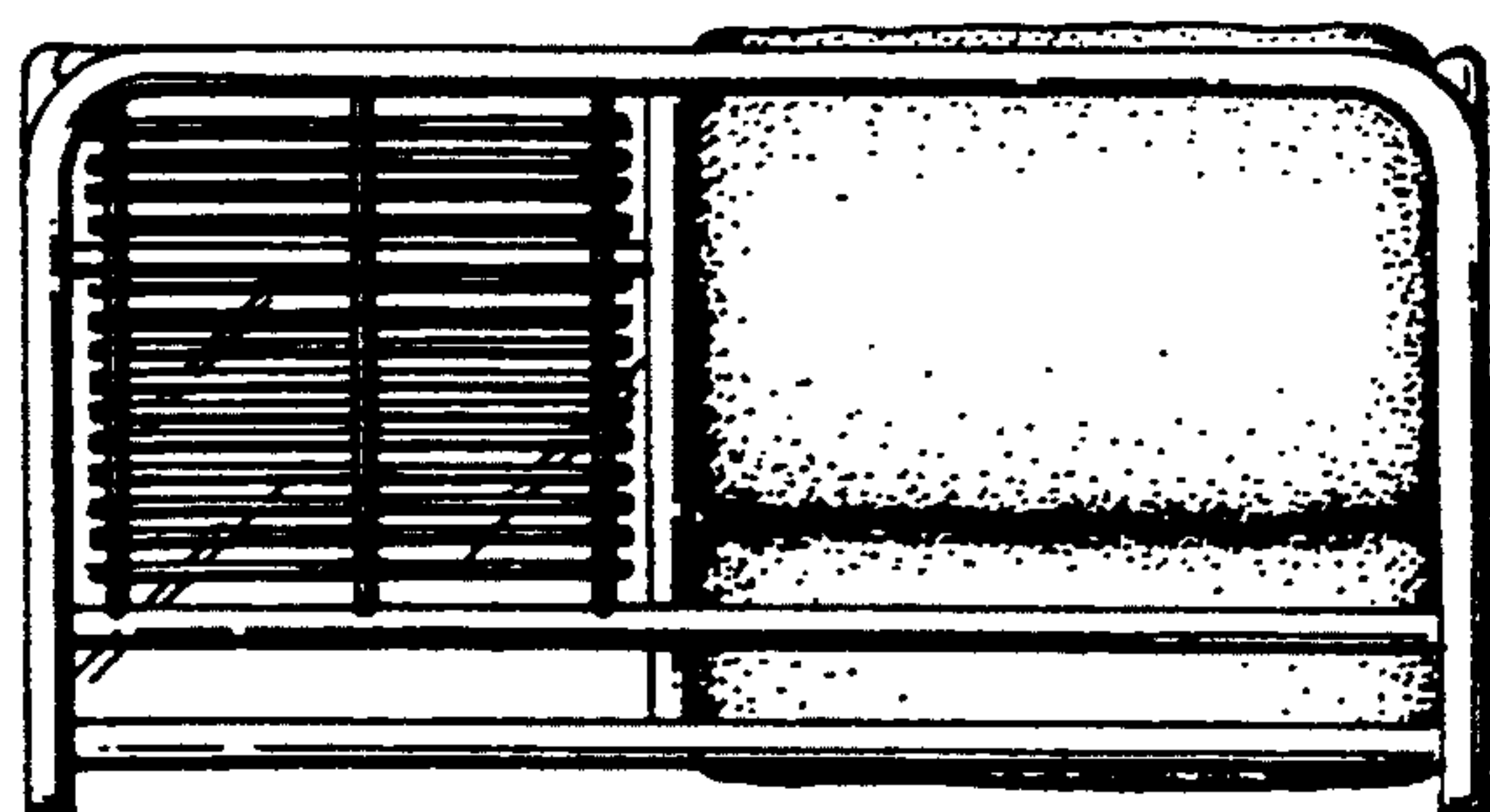


Fig 6