



US00D356684S

United States Patent [19]

[11] Patent Number: **Des. 356,684**

Townsend, Jr.

[45] Date of Patent: **** Mar. 28, 1995**

[54] COMBINATION BRUSH AND BUFFER

[76] Inventor: **Charles E. Townsend, Jr.**, 11 Ranch Rd., Orinda, Calif. 94563

[**] Term: **14 Years**

[21] Appl. No.: **11,646**

[22] Filed: **Aug. 11, 1993**

[52] U.S. Cl. **D4/116; D32/42**

[58] Field of Search **D4/116, 136, 137; D28/63; D32/40, 42, 50-51; 15/105, 107, 114, 159.1, 160, 209.1, 210.1, 244.1, 111**

[56] **References Cited**

U.S. PATENT DOCUMENTS

- D. 287,430 12/1986 Kaufman D4/116
- D. 345,036 3/1994 Townsend, Jr. D32/51
- 3,467,978 9/1969 Golden 15/111

Primary Examiner—James M. Gandy

Assistant Examiner—Lavone D. Tabor
Attorney, Agent, or Firm—Charles E. Townsend, Jr.

[57] **CLAIM**

The ornamental design for a combination brush and buffer, as shown and described.

DESCRIPTION

FIG. 1 is a longitudinal perspective view of my new design as shown;

FIG. 2 is a front end view of my new design;

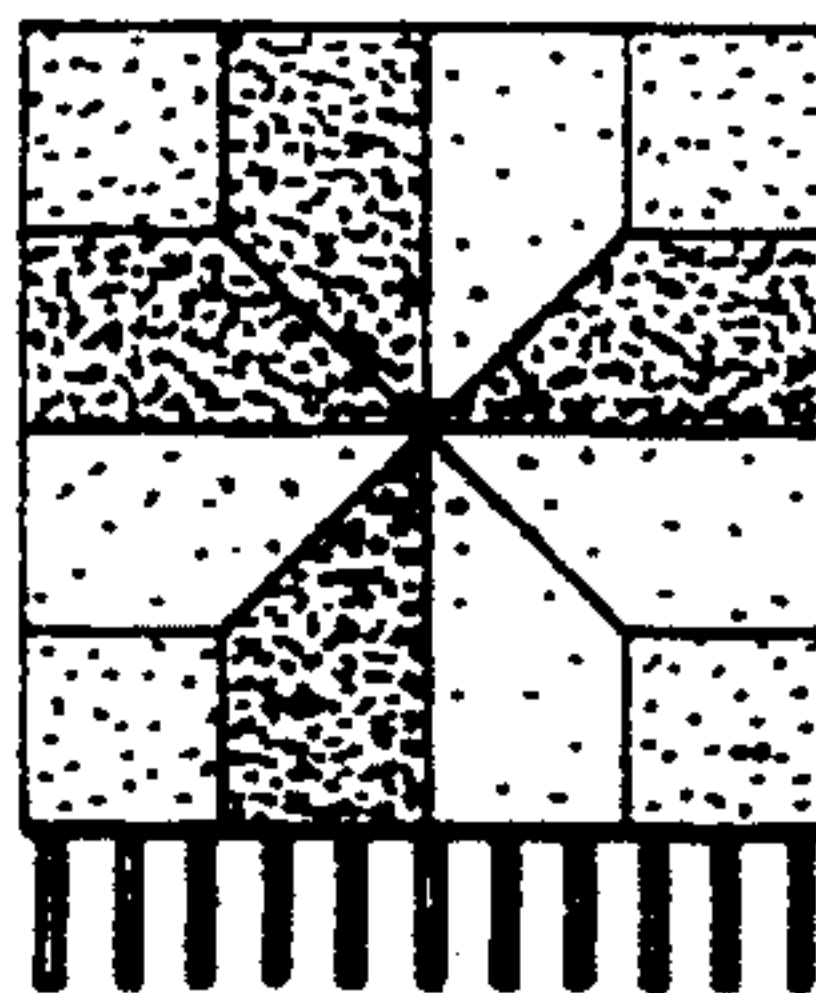
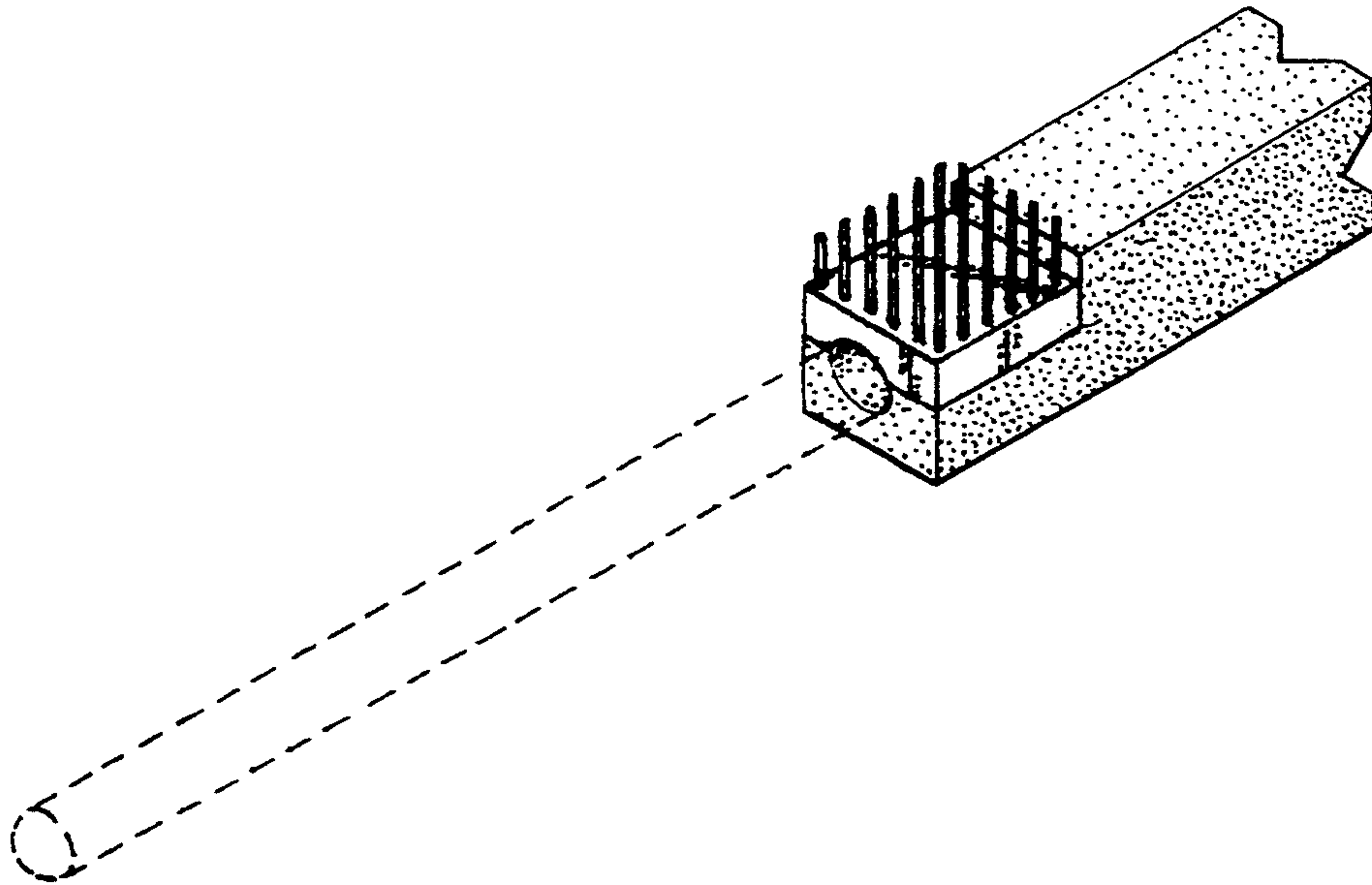
FIG. 3 is a longitudinal bottom plan view of my new design;

FIG. 4 is a longitudinal side view of my new design;

FIG. 5 is a longitudinal top plan view of my new design; and,

FIG. 6 is a rear end view of my design.

The broken line showing of a handle in FIGS. 1, 3, 4, and 5 is for illustrative purposes only and forms no part of the claimed design.



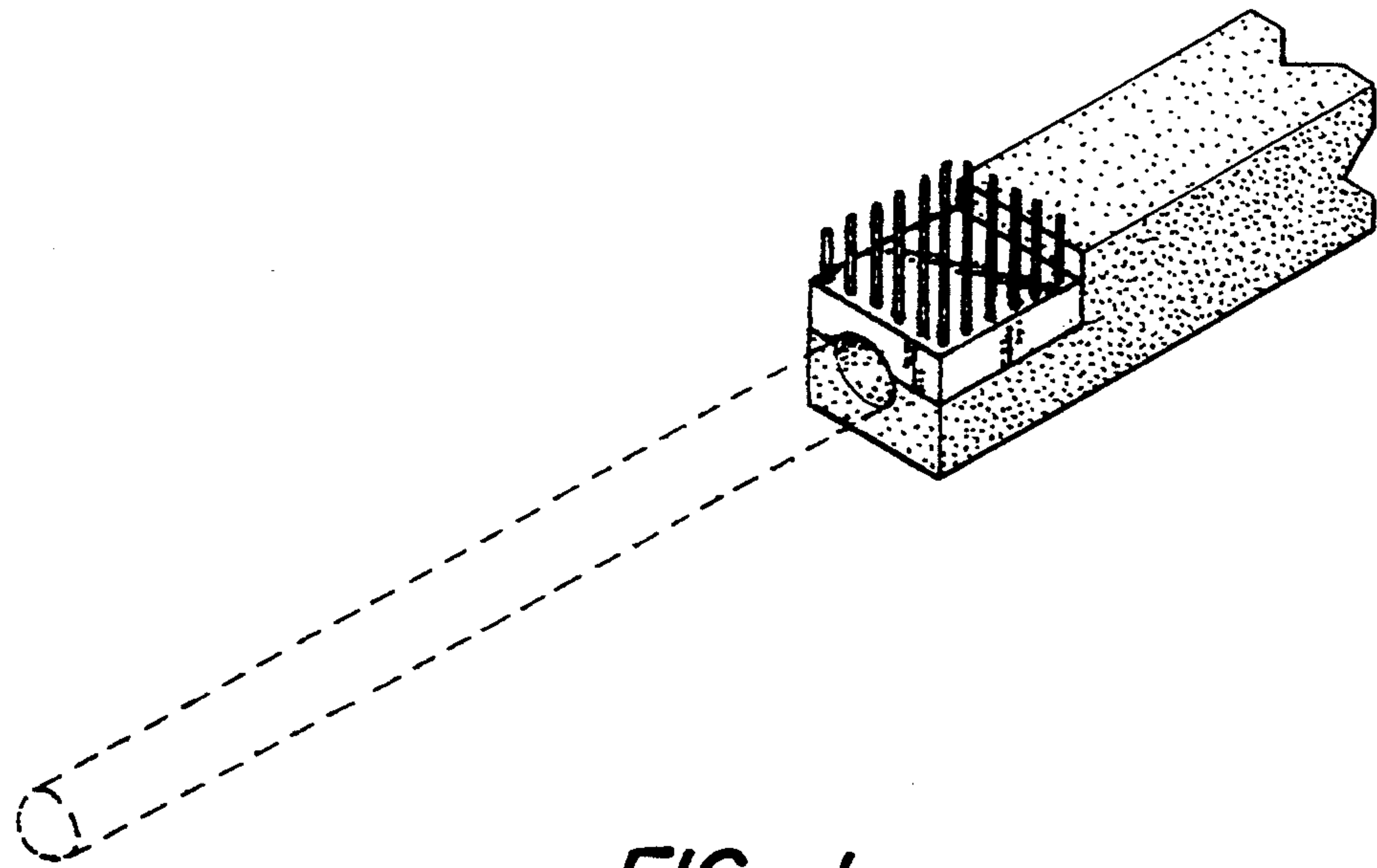


FIG. 1.

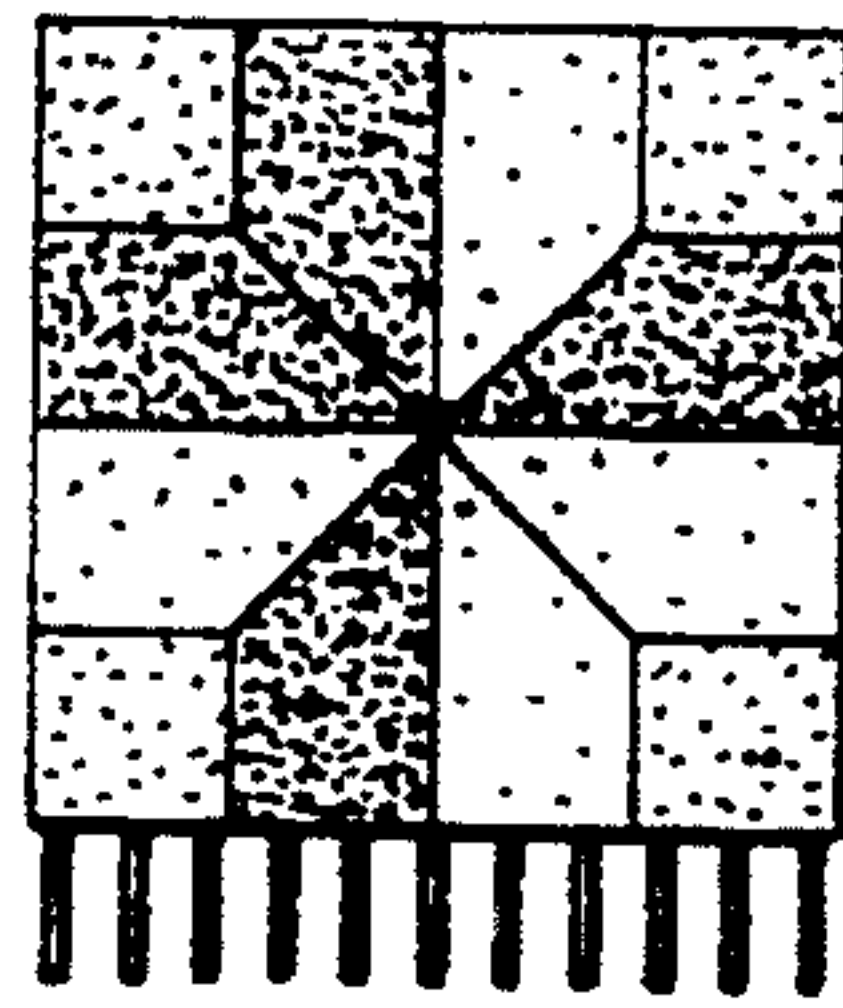


FIG. 2.

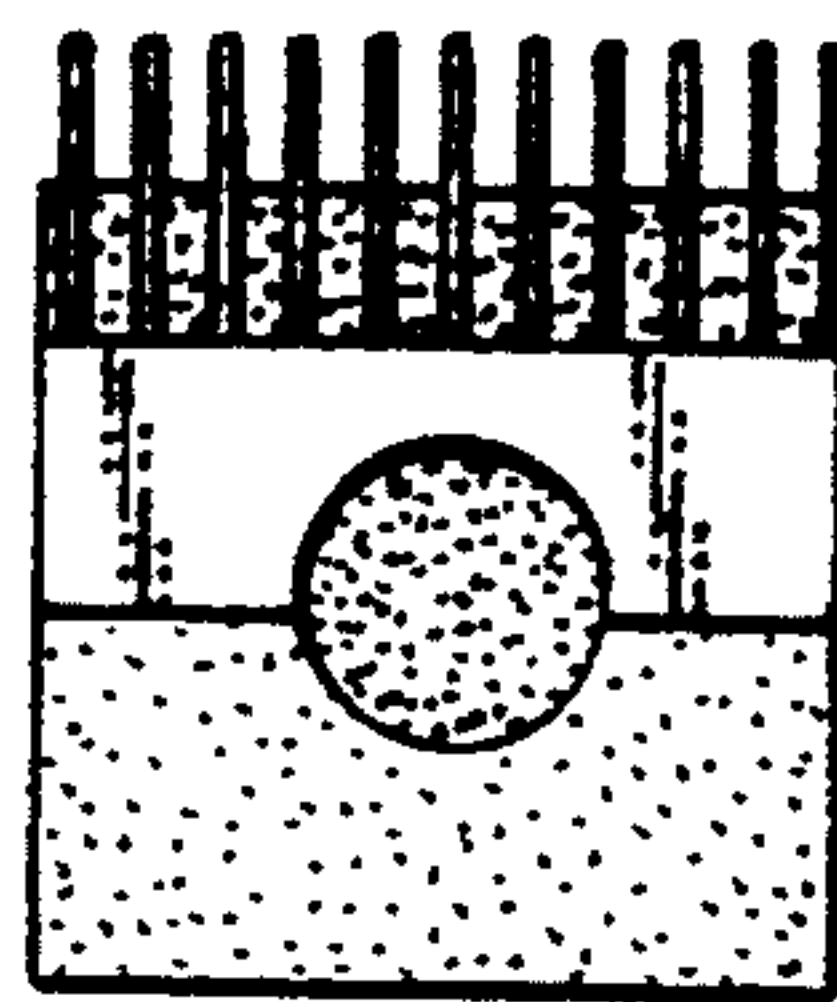


FIG. 6.

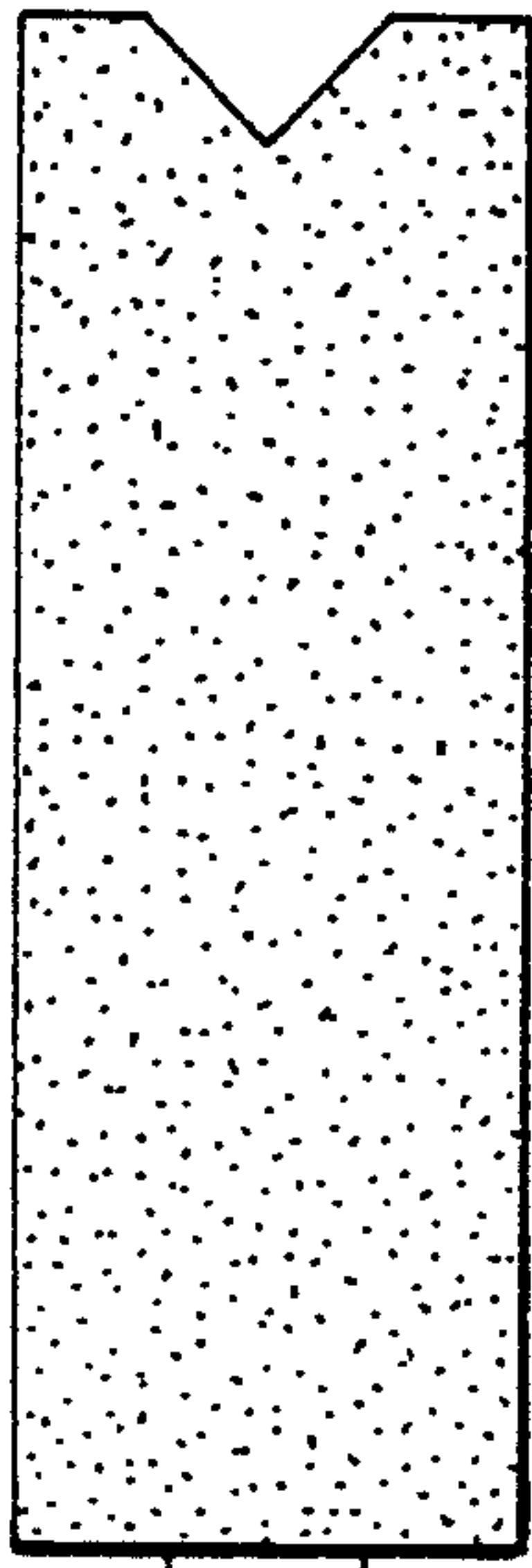


FIG. 5.

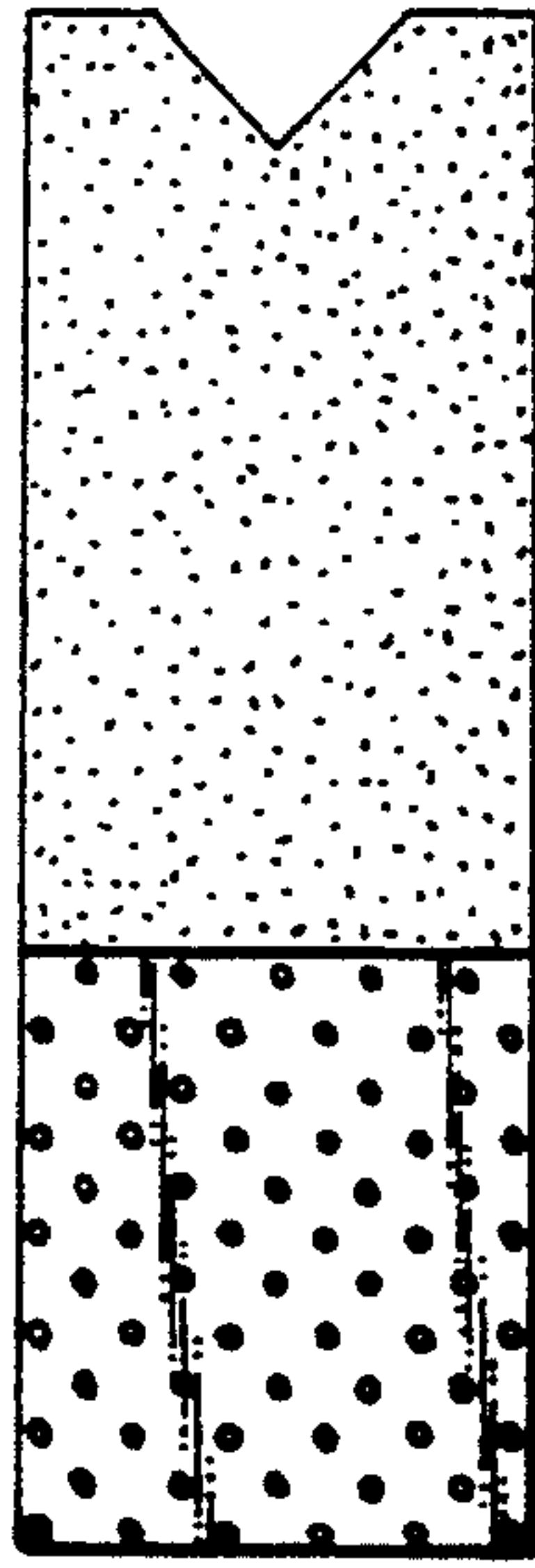


FIG. 3.

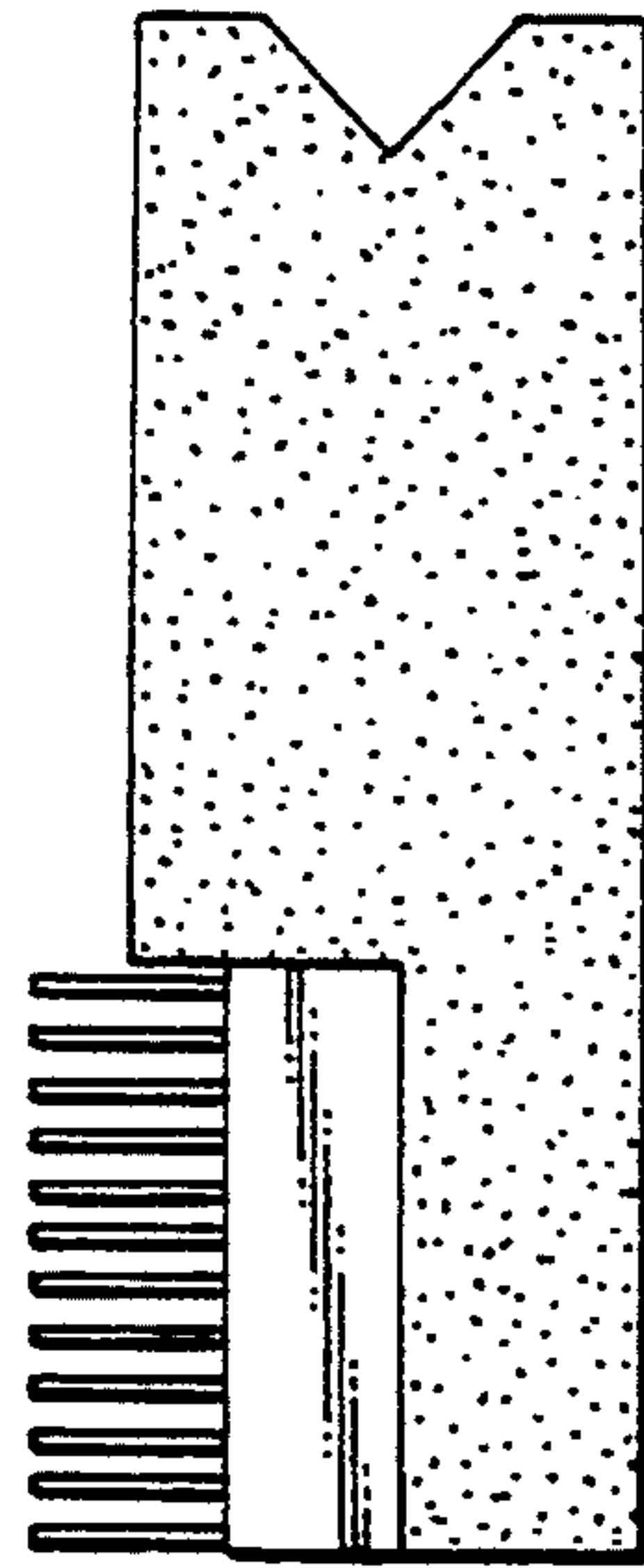


FIG. 4.