



US00D356682S

United States Patent [19]

[11] Patent Number: **Des. 356,682**

Sherman et al.

[45] Date of Patent: **** Mar. 28, 1995**

[54] TOOTHBRUSH

[75] Inventors: **Adam Sherman**, Brooklyn, N.Y.;
Robert Moskovich, East Brunswick,
N.J.; **James Petronio**, New York,
N.Y.

[73] Assignee: **Colgate-Palmolive Company**, New
York, N.Y.

[**] Term: **14 Years**

[21] Appl. No.: **6,468**

[22] Filed: **Mar. 30, 1993**

FOREIGN PATENT DOCUMENTS

5111092	5/1991	Australia .	
1005685	4/1952	France .	
2468330	5/1991	France .	
0317056	8/1992	France	4/2
0317057	8/1992	France	4/2
94752	8/1979	Spain .	
103623	6/1983	Spain .	
109665	4/1986	Spain .	
113754	11/1987	Spain .	
122671	10/1990	Spain .	
2010195	2/1991	United Kingdom .	
2010196	2/1991	United Kingdom .	
2010197	2/1991	United Kingdom .	
2010198	2/1991	United Kingdom .	
2010199	2/1991	United Kingdom .	

Related U.S. Application Data

[63] Continuation-in-part of Ser. No. 41, Oct. 5, 1992.
[52] U.S. Cl. **D4/104**
[58] Field of Search **D4/104-112,**
D4/132-134, 136, 138; 15/143.1, 159.1, 160,
167.1-167.2

OTHER PUBLICATIONS

Photocopy of "Continent" toothbrush and package
(publication date unknown).

Primary Examiner—Wallace R. Burke
Assistant Examiner—Lavone D. Tabor
Attorney, Agent, or Firm—Robert C. Sullivan; Richard
J. Ancel

[56] References Cited

U.S. PATENT DOCUMENTS

D. 45,572	4/1914	Sarrazin	D4/104
D. 209,736	1/1968	Halm	D4/104
D. 279,838	7/1985	Hjelle	D4/104
D. 285,263	8/1986	Hill	D4/104
D. 318,760	8/1991	Kreisher et al.	D4/104
D. 324,775	3/1992	Kreisher et al.	D4/104
D. 328,392	8/1992	Holstein	D4/104
D. 328,977	9/1992	Halm	D4/104
D. 334,288	3/1993	Witzig-Jaggi	D4/104
2,267,670	12/1941	Rosenwasser	15/143.1
4,488,328	12/1984	Hyman	15/167.1
4,672,706	6/1987	Hill	15/167.1
5,052,071	10/1991	Halm	15/167.1
5,054,154	10/1991	Schiffer et al.	15/167.1

[57] CLAIM

The ornamental design for a toothbrush, as shown and
described.

DESCRIPTION

FIG. 1 is a plan view of the top of a toothbrush showing
our new design;
FIG. 2 is a side elevational view thereof;
FIG. 3 is a plan view of the bottom thereof;
FIG. 4 is an end elevational view from the handle end;
FIG. 5 is an end elevational view from the head end;
and,
FIG. 6 is an enlarged perspective view thereof.

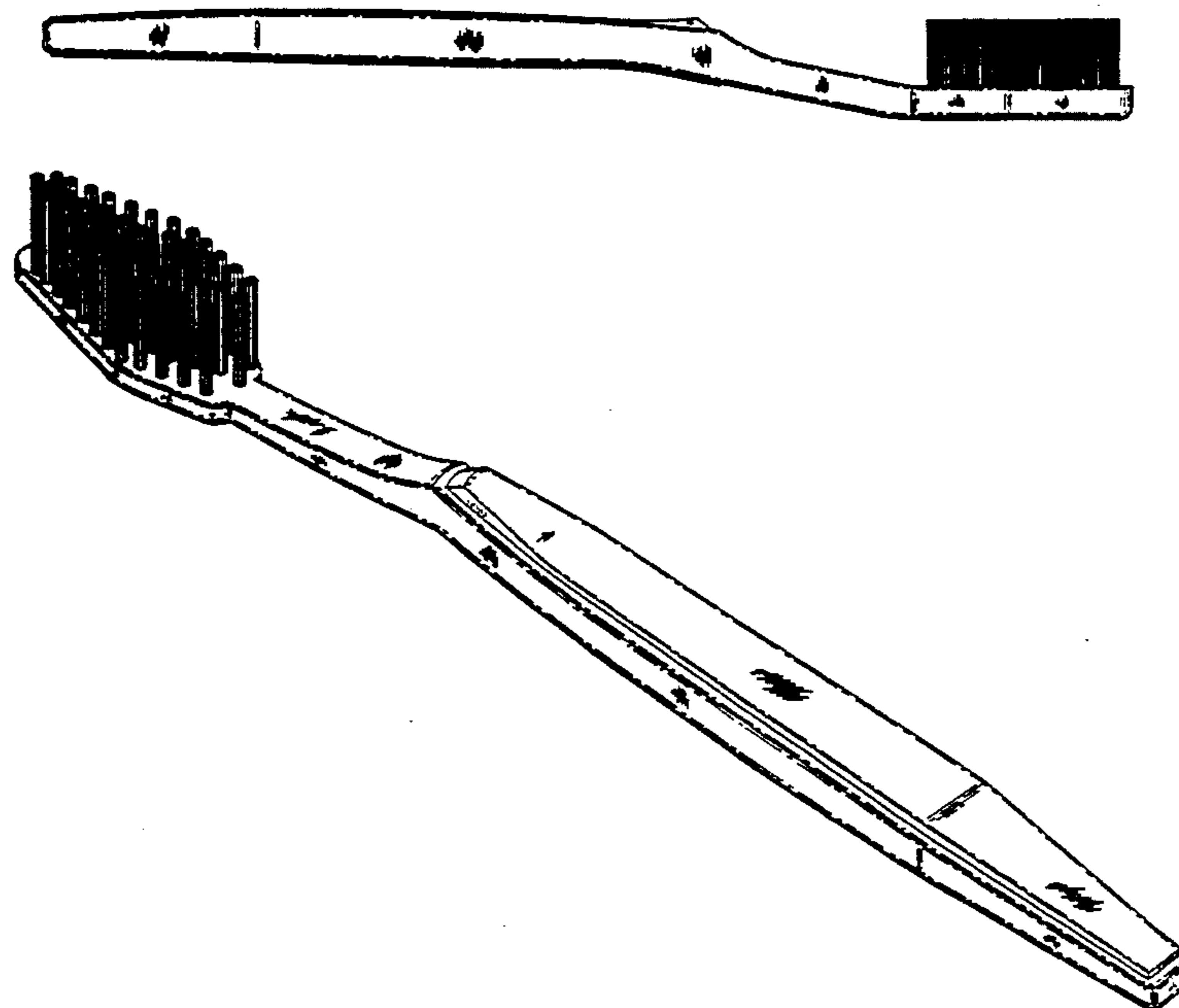


FIG. 1

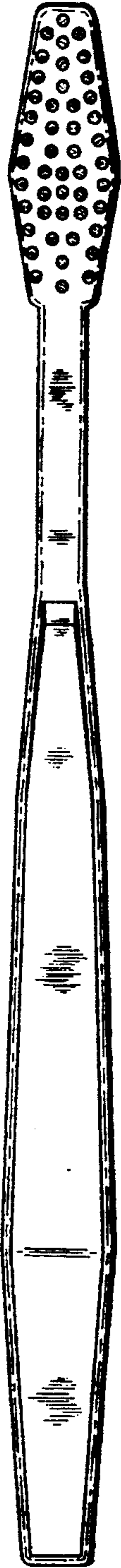


FIG. 2



FIG. 4

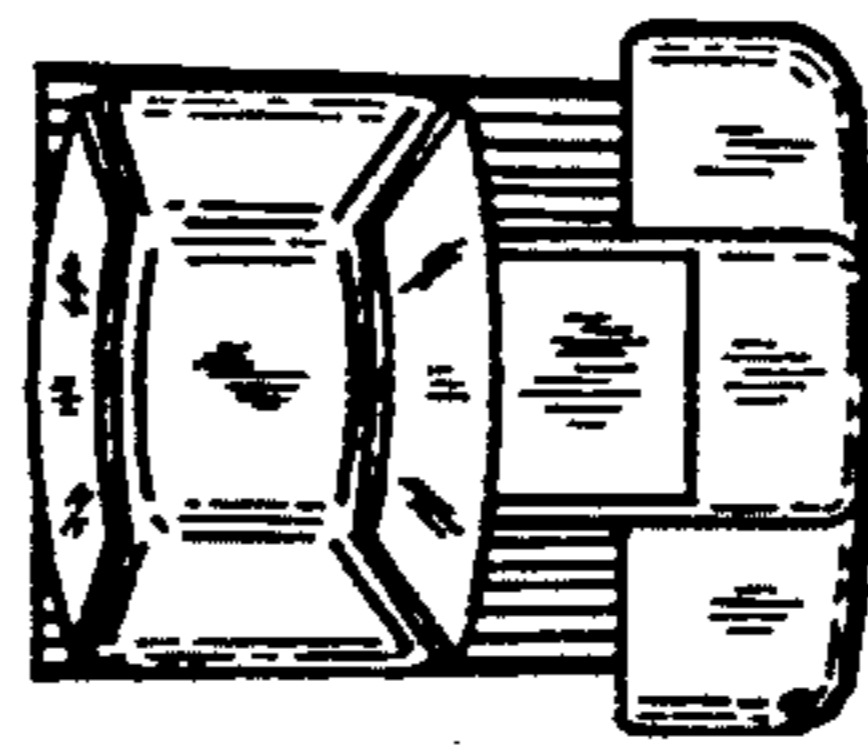


FIG. 5

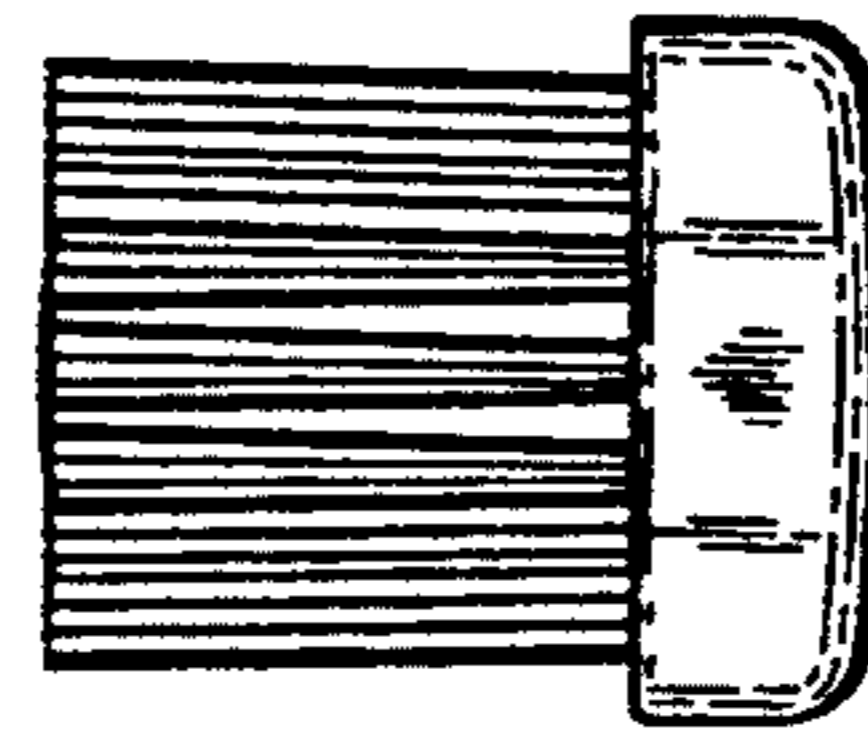
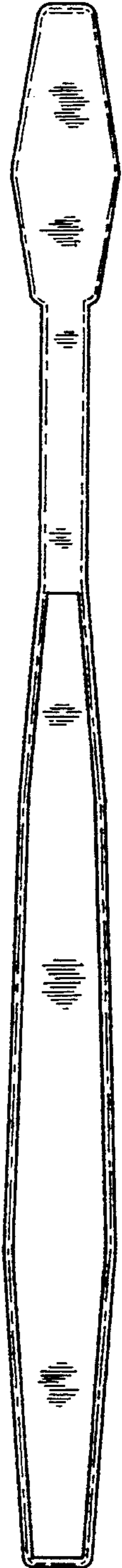


FIG. 3



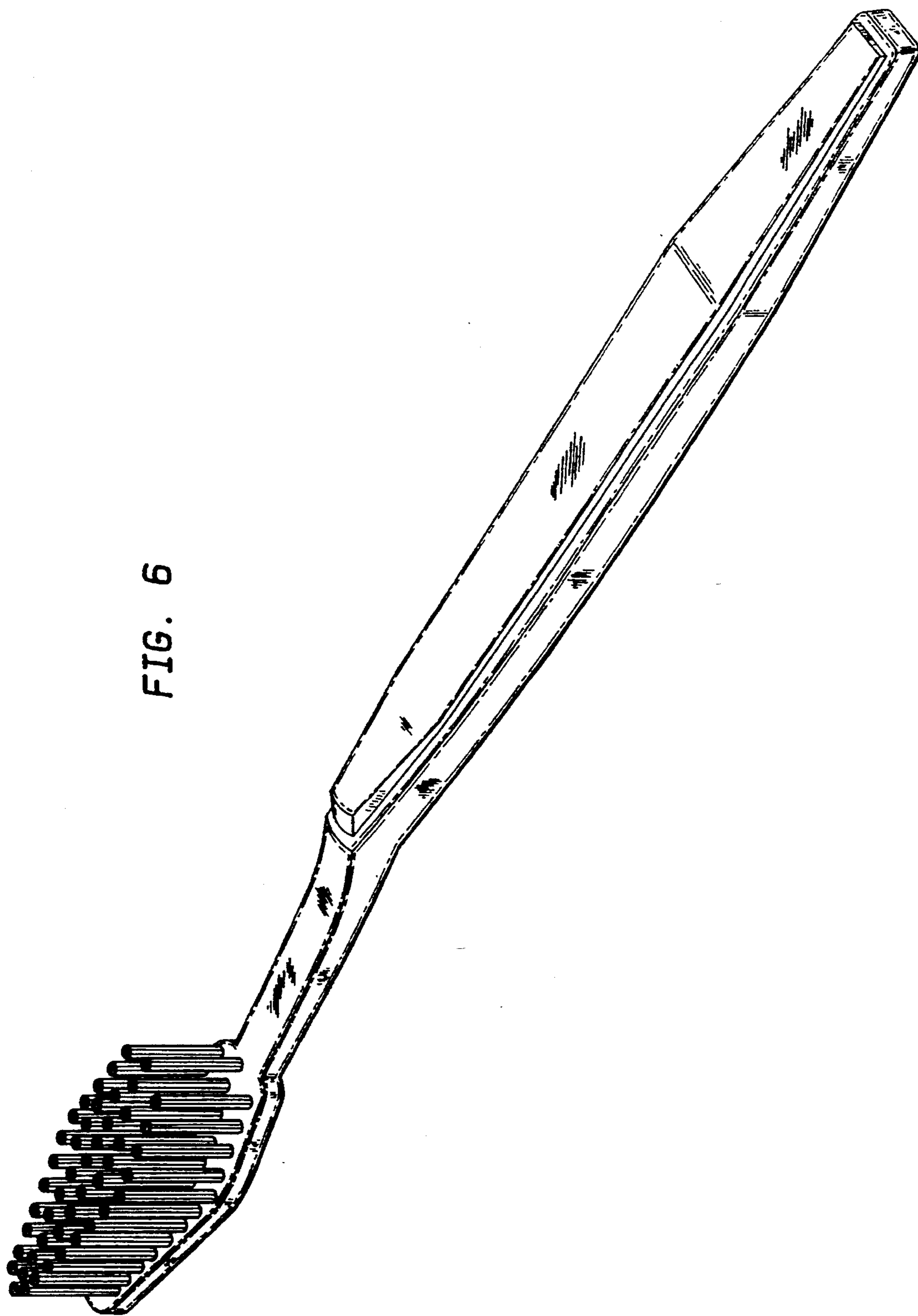


FIG. 6