



US00D356678S

United States Patent [19]

[11] Patent Number: Des. 356,678

Tawil

[45] Date of Patent: ** Mar. 28, 1995

[54] BRIEFCASE

[76] Inventor: Abraham I. Tawil, 2334 Ocean Pkwy., Brooklyn, N.Y. 11223

[**] Term: 14 Years

[21] Appl. No.: 3,598

[22] Filed: Jan. 11, 1993

[52] U.S. Cl. D3/276

[58] Field of Search D3/274, 278, 283, 284, D3/285, 286, 290, 315; 190/115, 119, 127, 902

[56] References Cited

U.S. PATENT DOCUMENTS

D. 132,618	6/1942	Russell	D3/284
D. 135,359	3/1943	Boyar	D3/290
D. 254,819	4/1980	Harrison	D3/286
D. 315,985	4/1991	Gerch et al.	D3/283
1,090,553	3/1914	Mashek	190/902 X
2,515,605	7/1950	Lifton	190/127
5,127,500	7/1992	Mitchell	190/902 X

Primary Examiner—Theodore M. Shooman

Assistant Examiner—Catherine Tuttle

Attorney, Agent, or Firm—Ezra Sutton

[57] CLAIM

The ornamental design for a briefcase, as shown and described.

DESCRIPTION

FIG. 1 is a perspective view of a briefcase showing my new design in a partially expanded state;

FIG. 2 is a front elevational view thereof;
 FIG. 3 is a rear elevational view thereof;
 FIG. 4 is a left side elevational view shown in the collapsed state;
 FIG. 5 is a right side elevational view thereof;
 FIG. 6 is a top plan view thereof;
 FIG. 7 is a bottom plan view thereof;
 FIG. 8 is a top perspective view shown with the outer flap folded back and the front pocket bloused open; the undisclosed portions of the interior pockets following the contours of the portions shown;
 FIG. 9 is a front elevational view thereof with the front flap opened;
 FIG. 10 is a right side elevational view thereof with the side pockets in their expanded positions;
 FIG. 11 is a perspective view of a second modified embodiment shown in a partially expanded state;
 FIG. 12 is a front elevational view thereof;
 FIG. 13 is a rear elevational view thereof;
 FIG. 14 is a left side elevational view shown in the collapsed state;
 FIG. 15 is a right side elevational view thereof;
 FIG. 16 is a top plan view thereof;
 FIG. 17 is a bottom plan view thereof;
 FIG. 18 is a top perspective view shown with the outer flap folded back; the undisclosed portions of the interior pockets following the contours of the portions shown; and,
 FIG. 19 is a front elevational view thereof with the front flap opened.
 The outer flap and straps are shown fragmentarily in several of the views for ease of illustration.

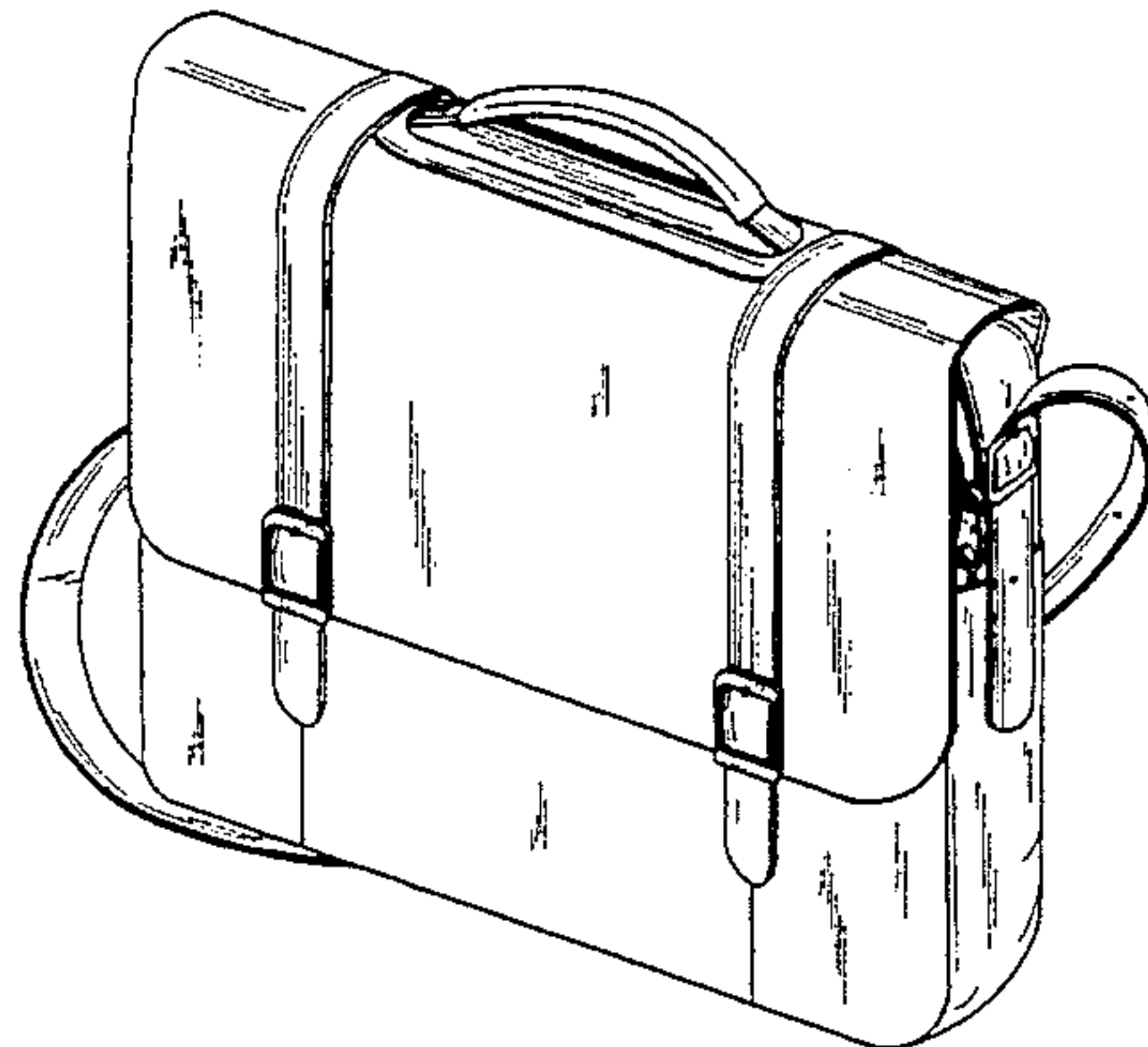
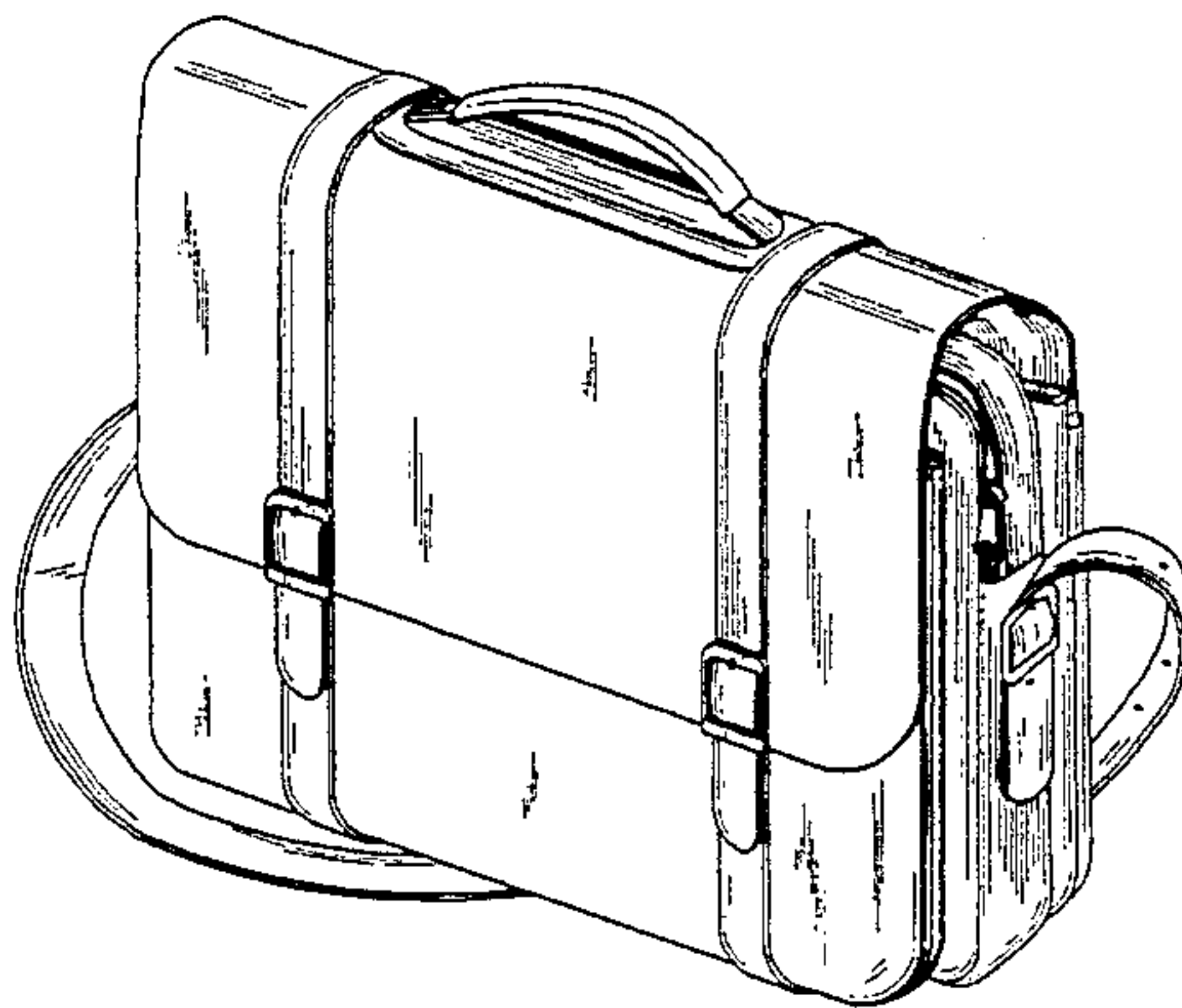




FIG. 1

FIG. 2

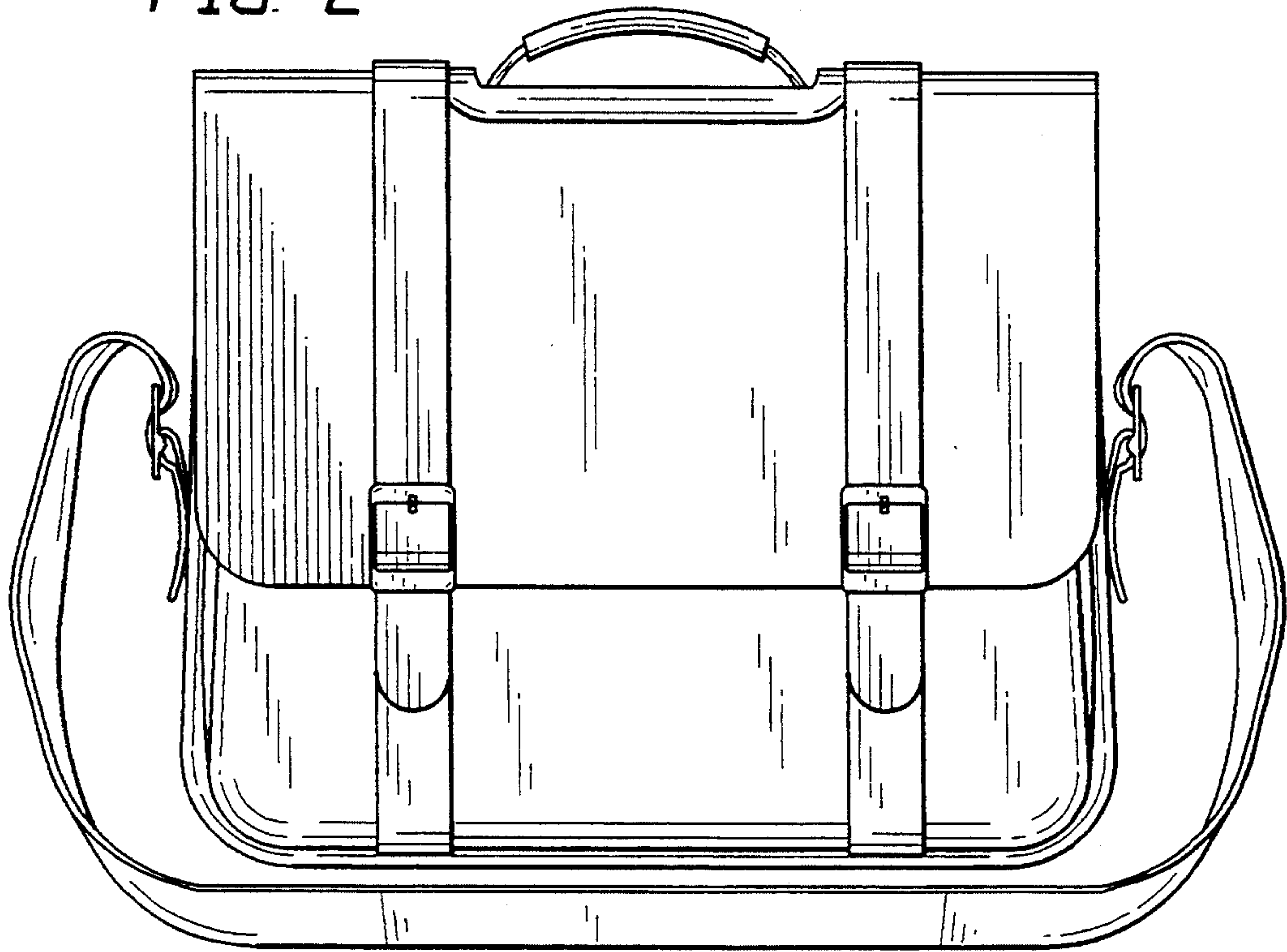


FIG. 3

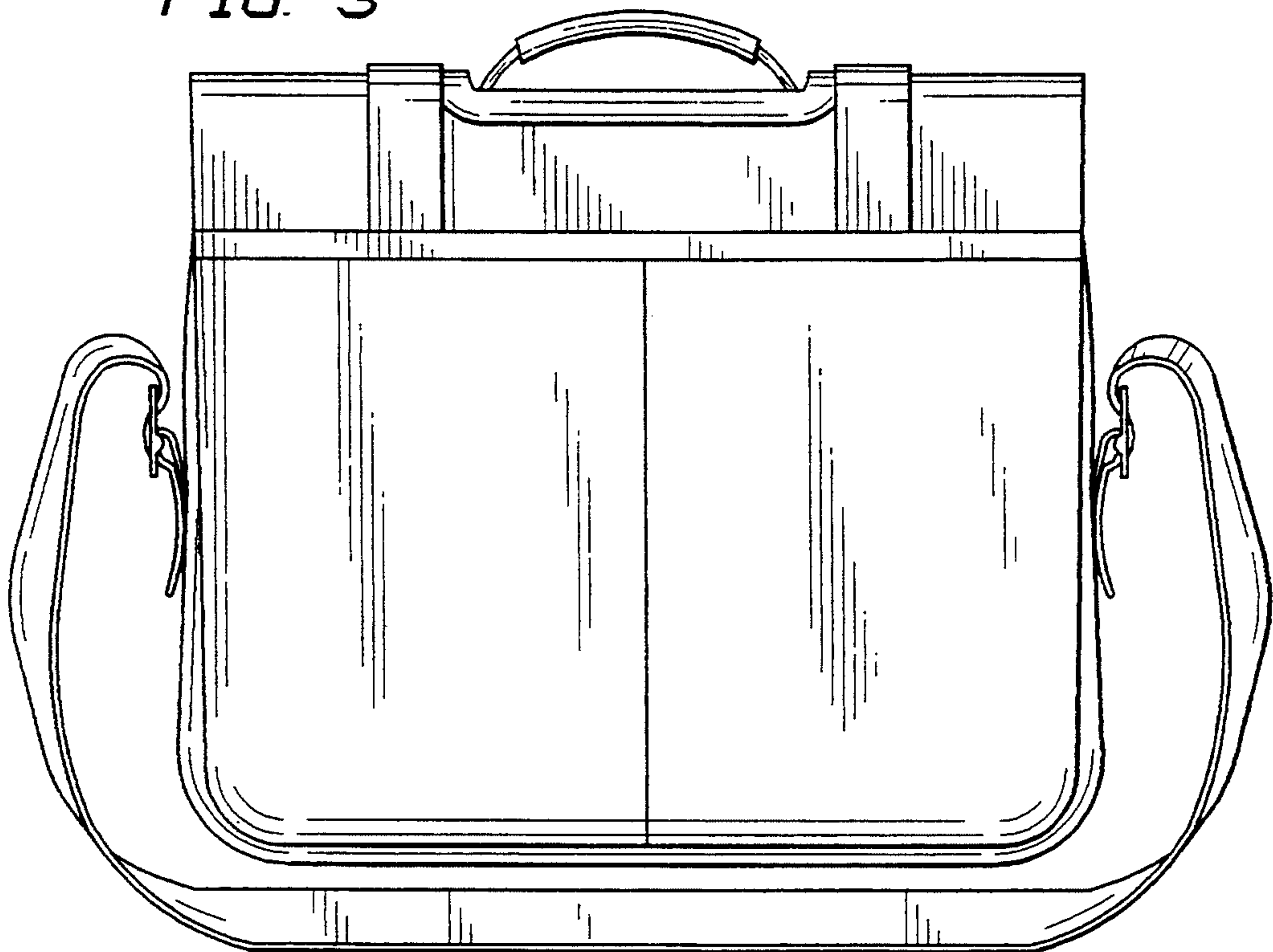


FIG. 4

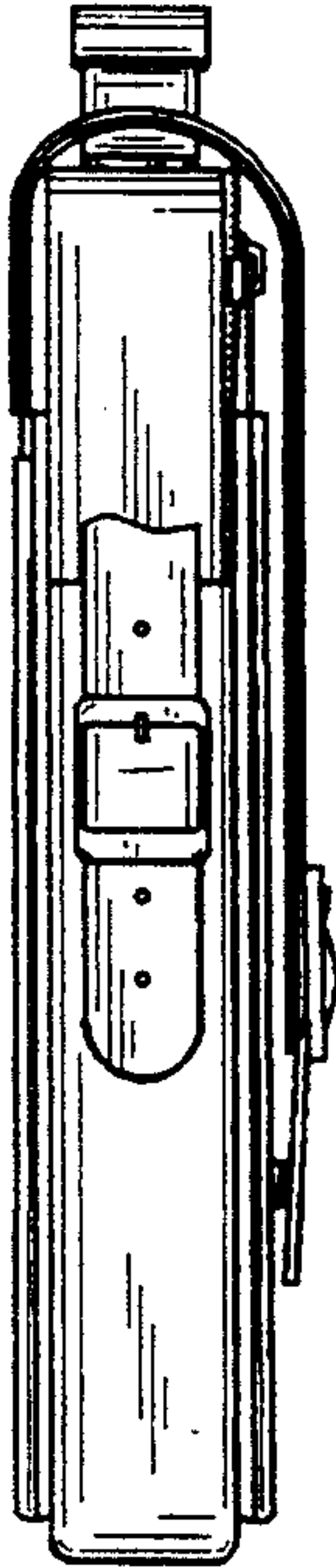


FIG. 5

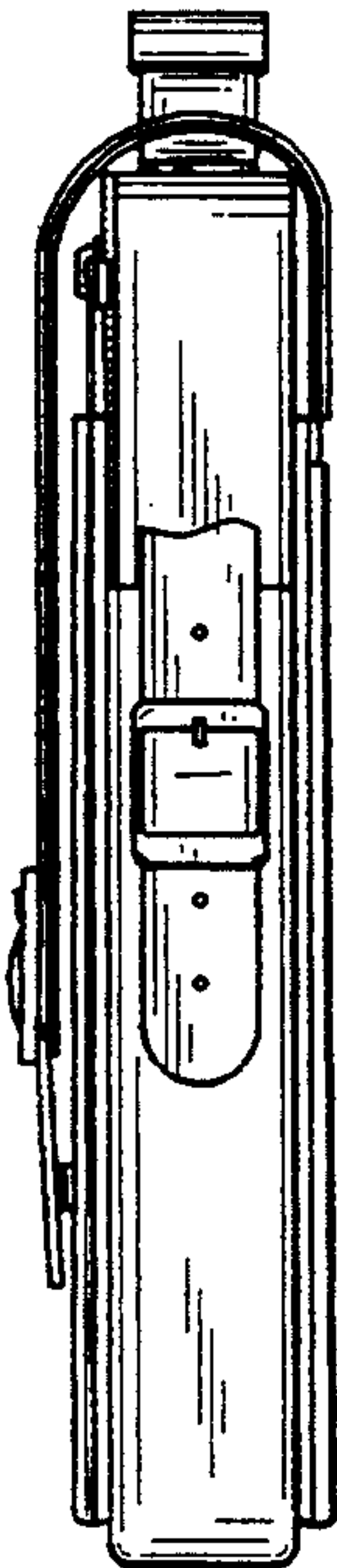


FIG. 10

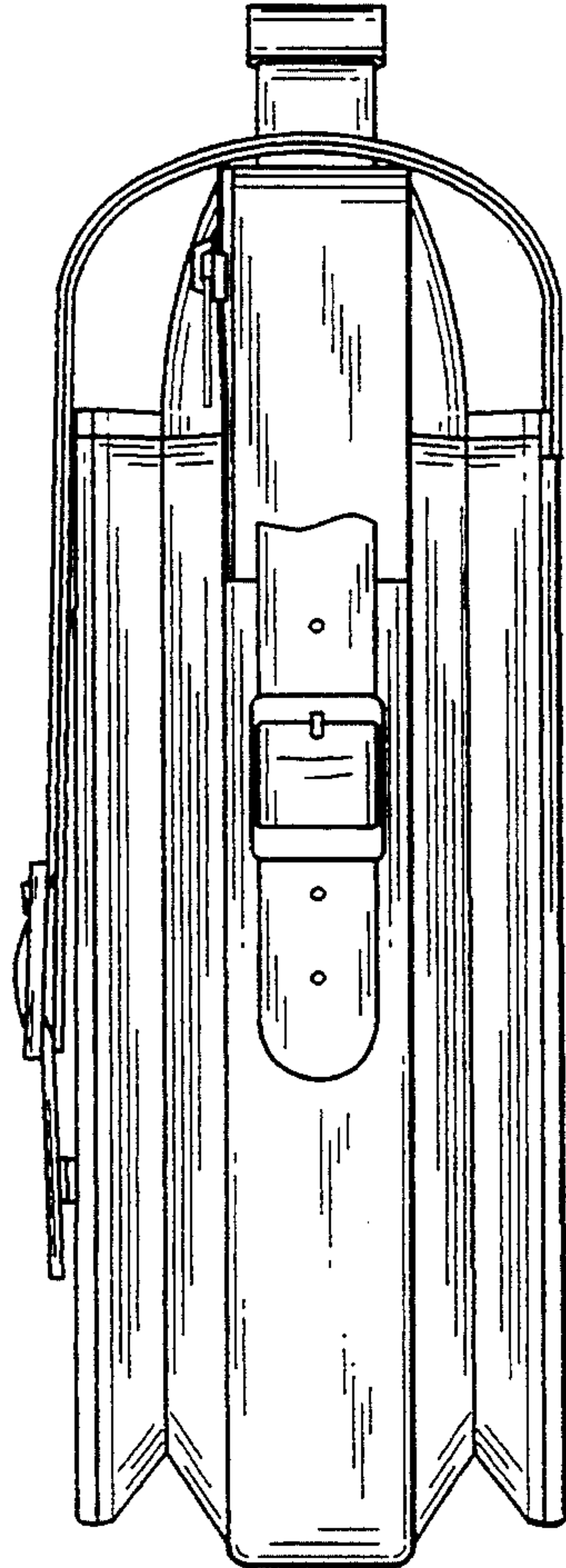


FIG. 6

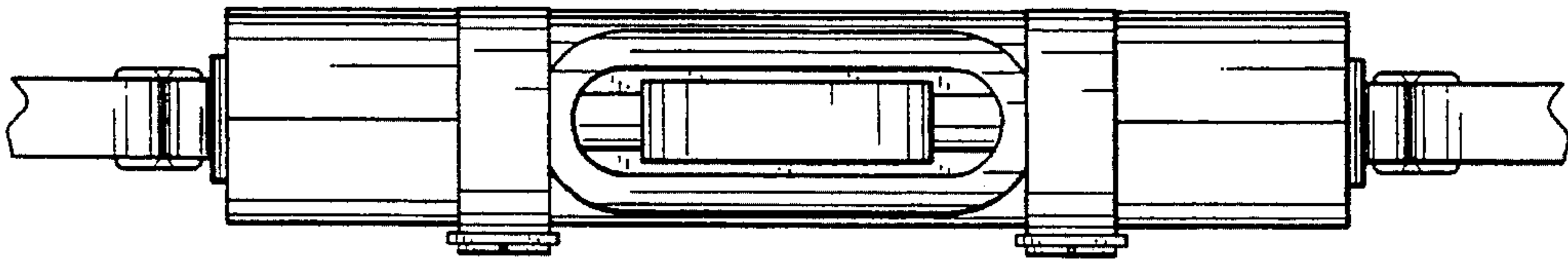


FIG. 7

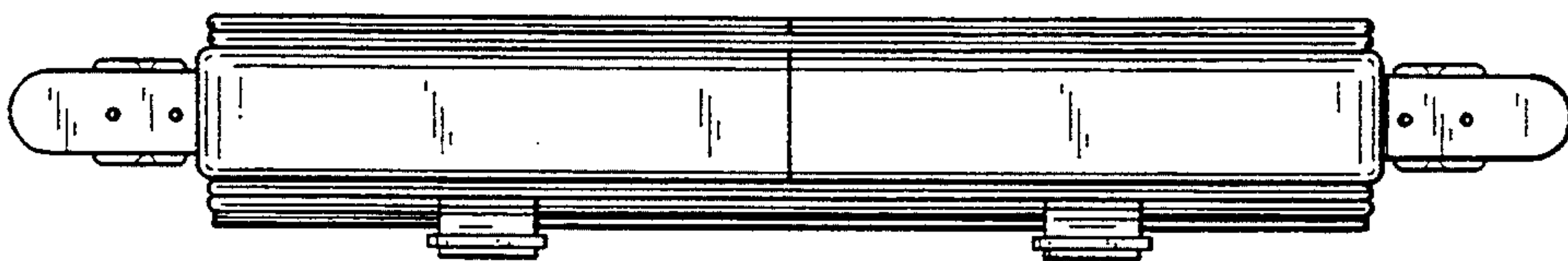


FIG. 8

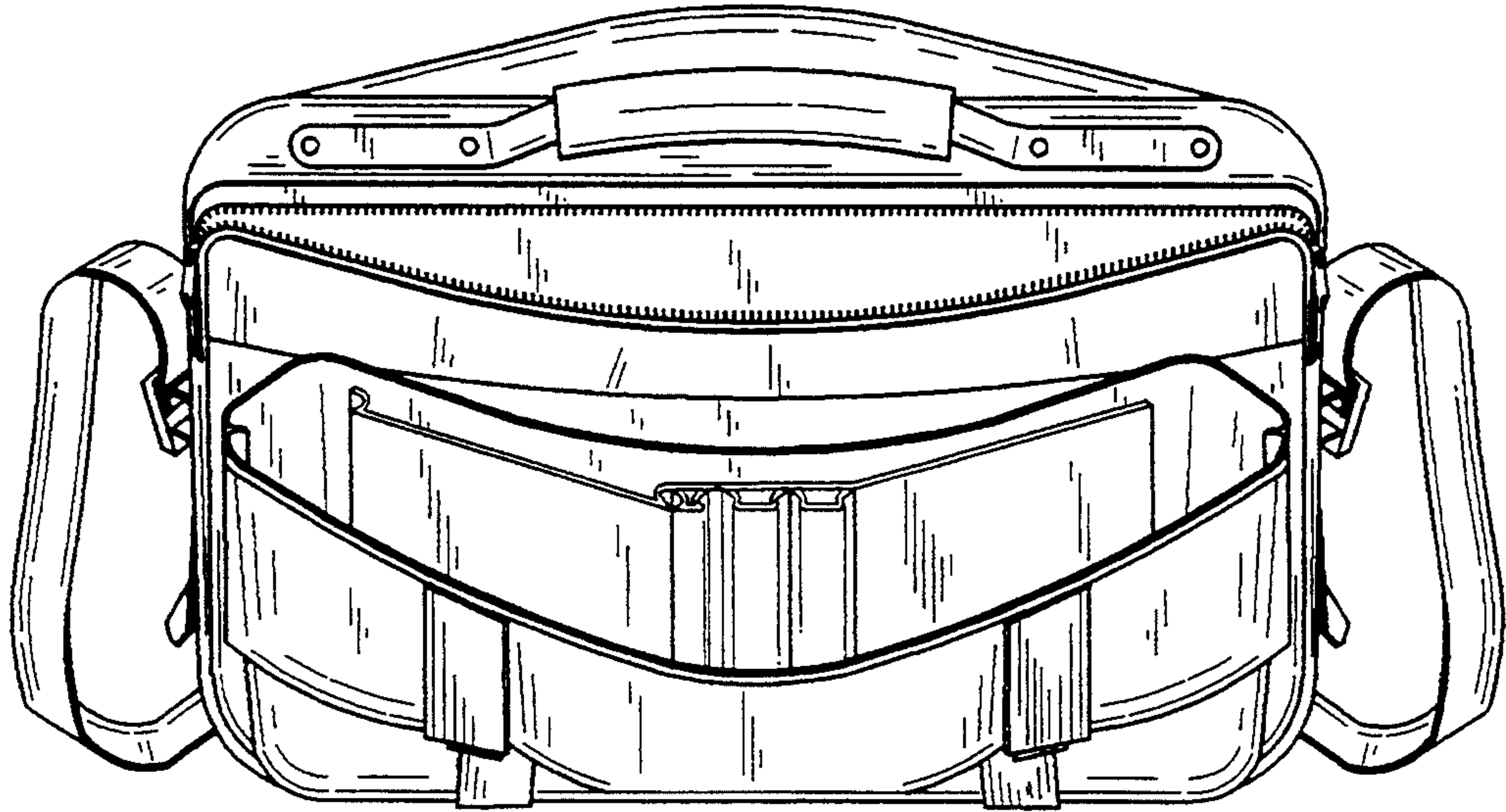
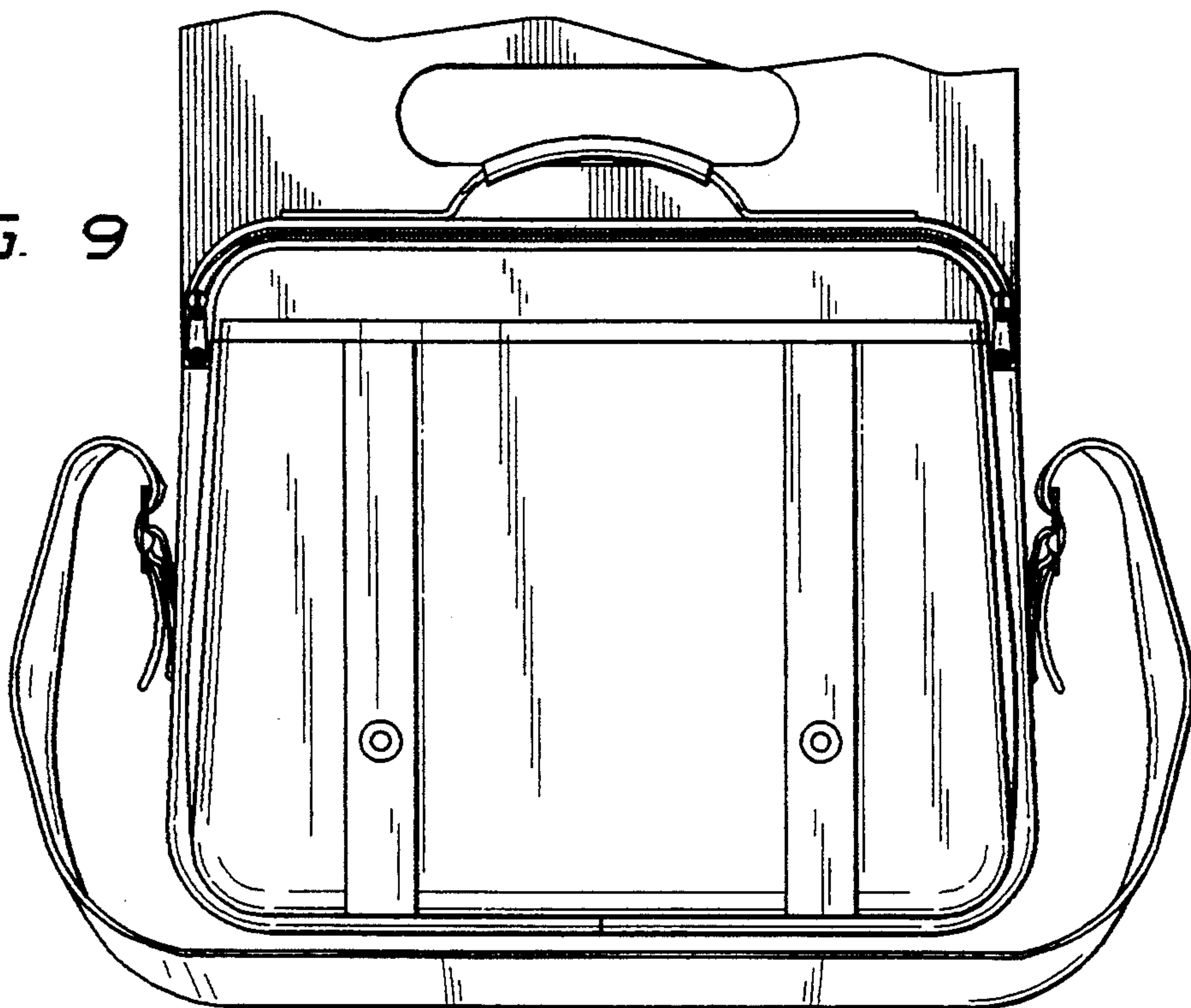


FIG. 9



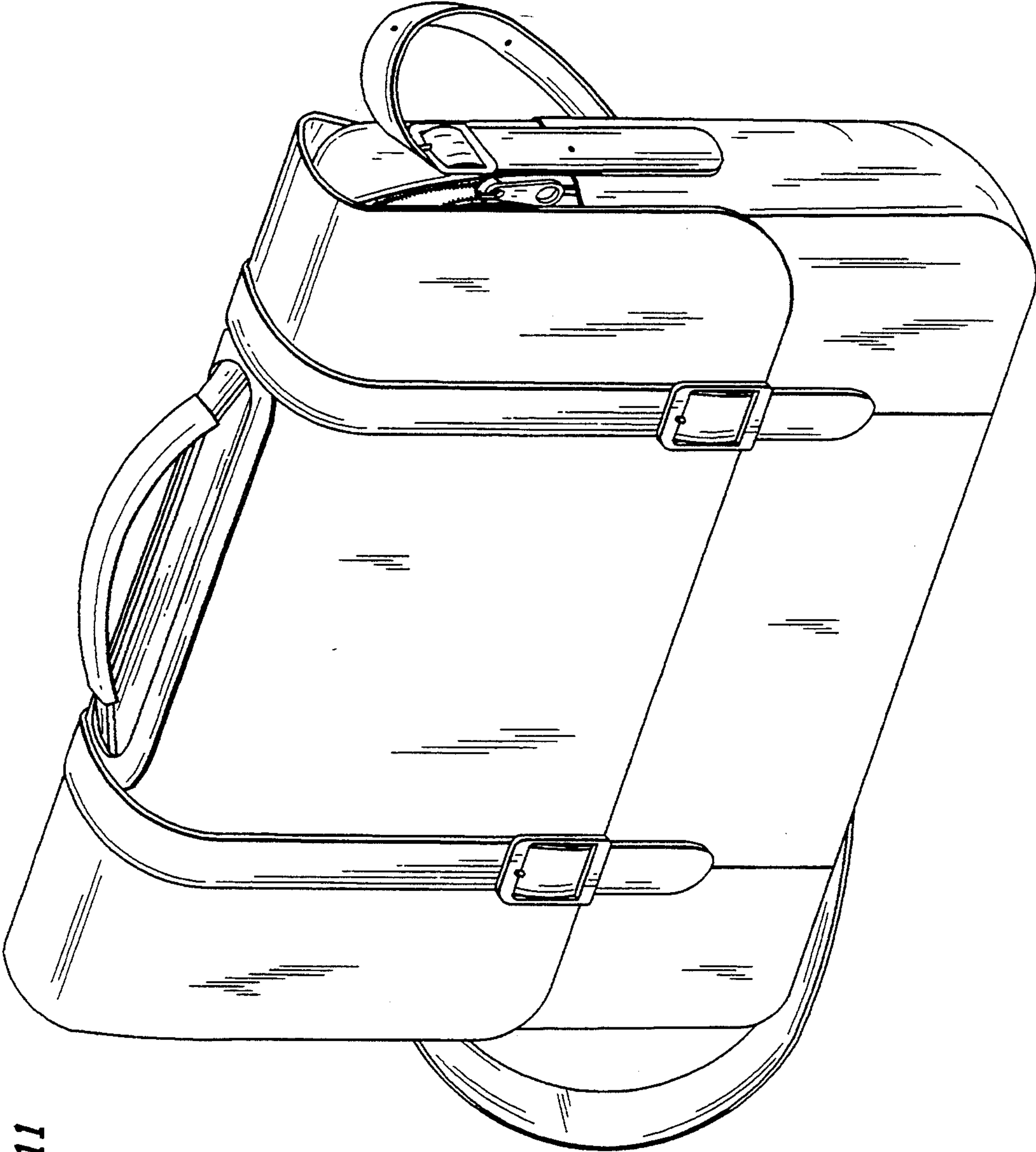


FIG. 11

FIG. 12

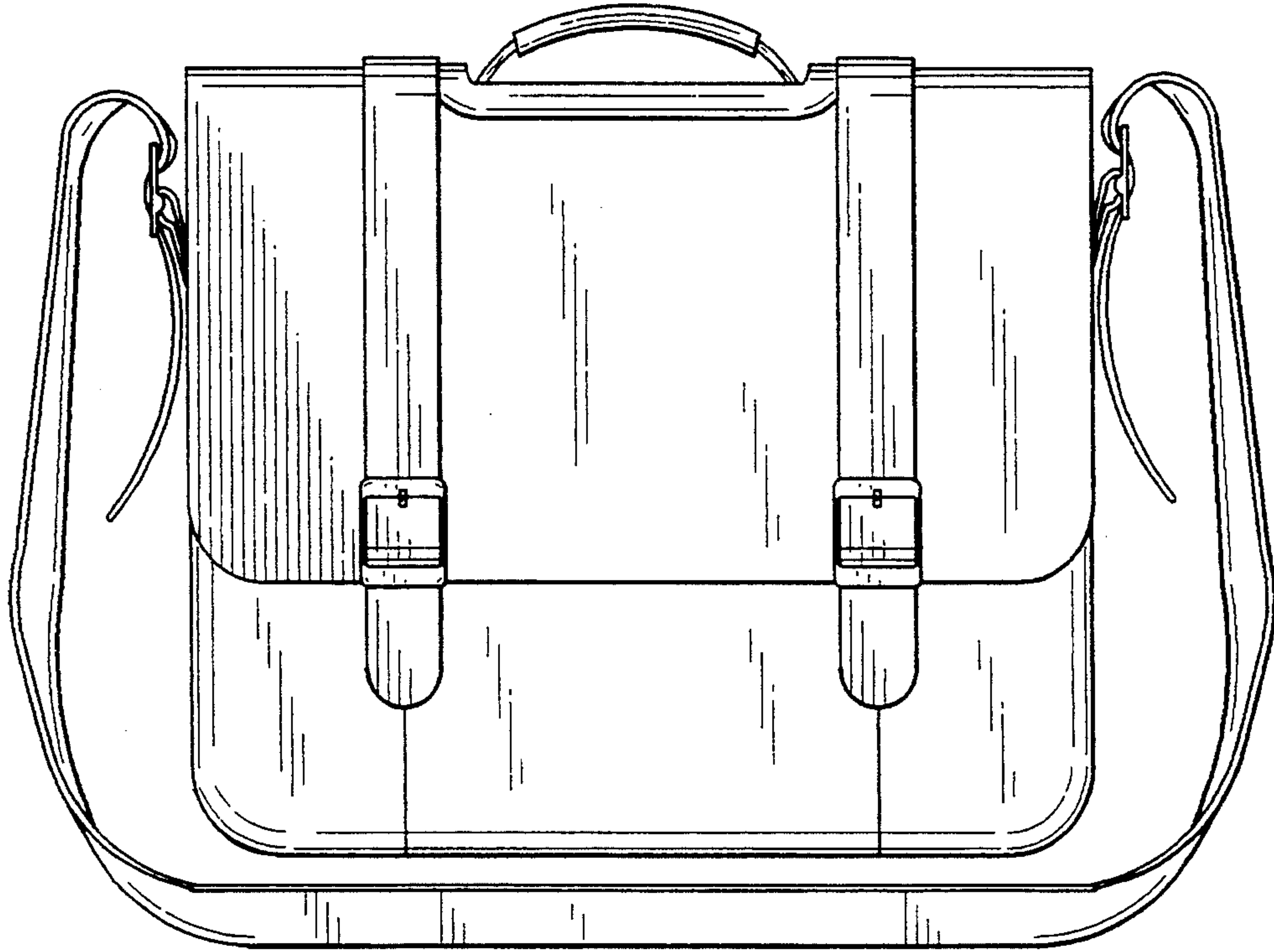


FIG. 13

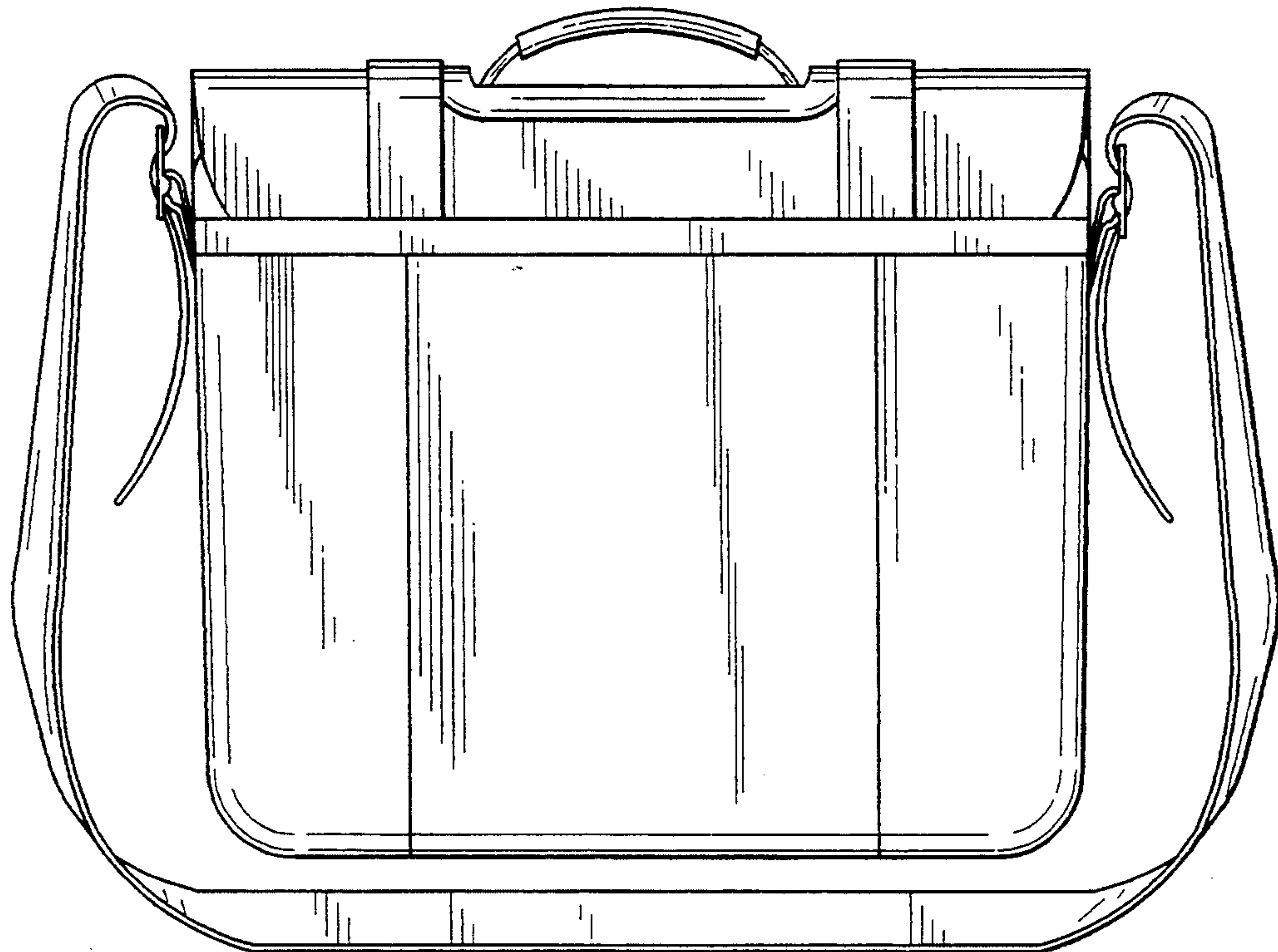


FIG. 14



FIG. 15



FIG. 16

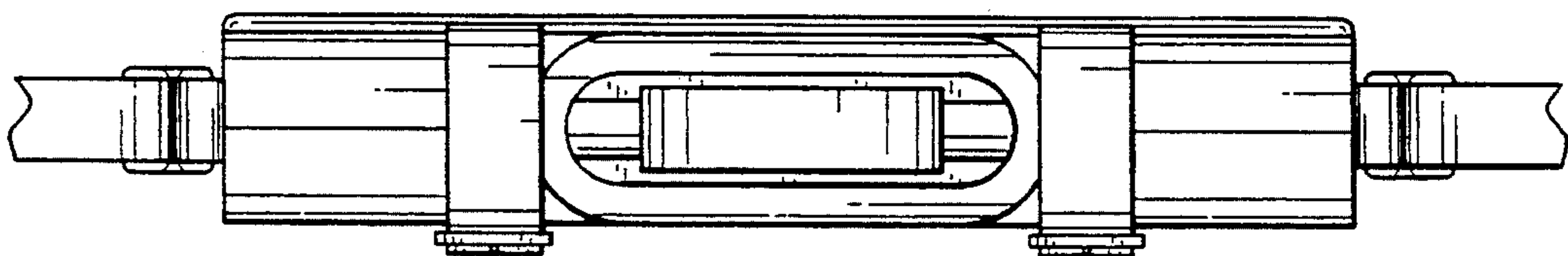


FIG. 17

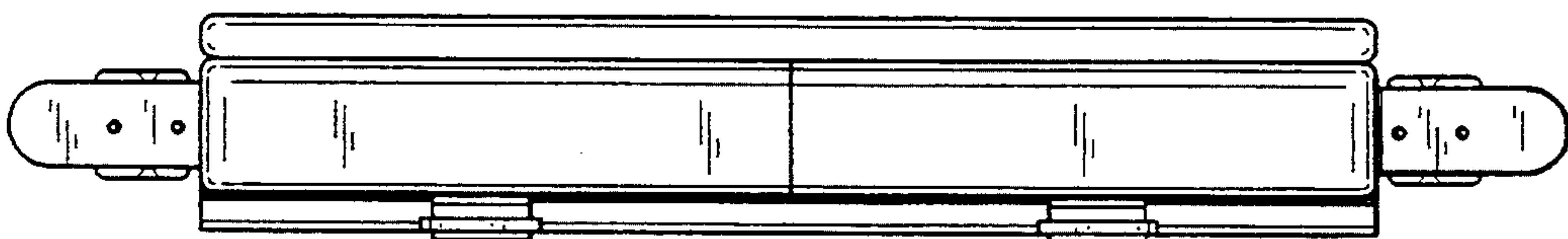


FIG. 18

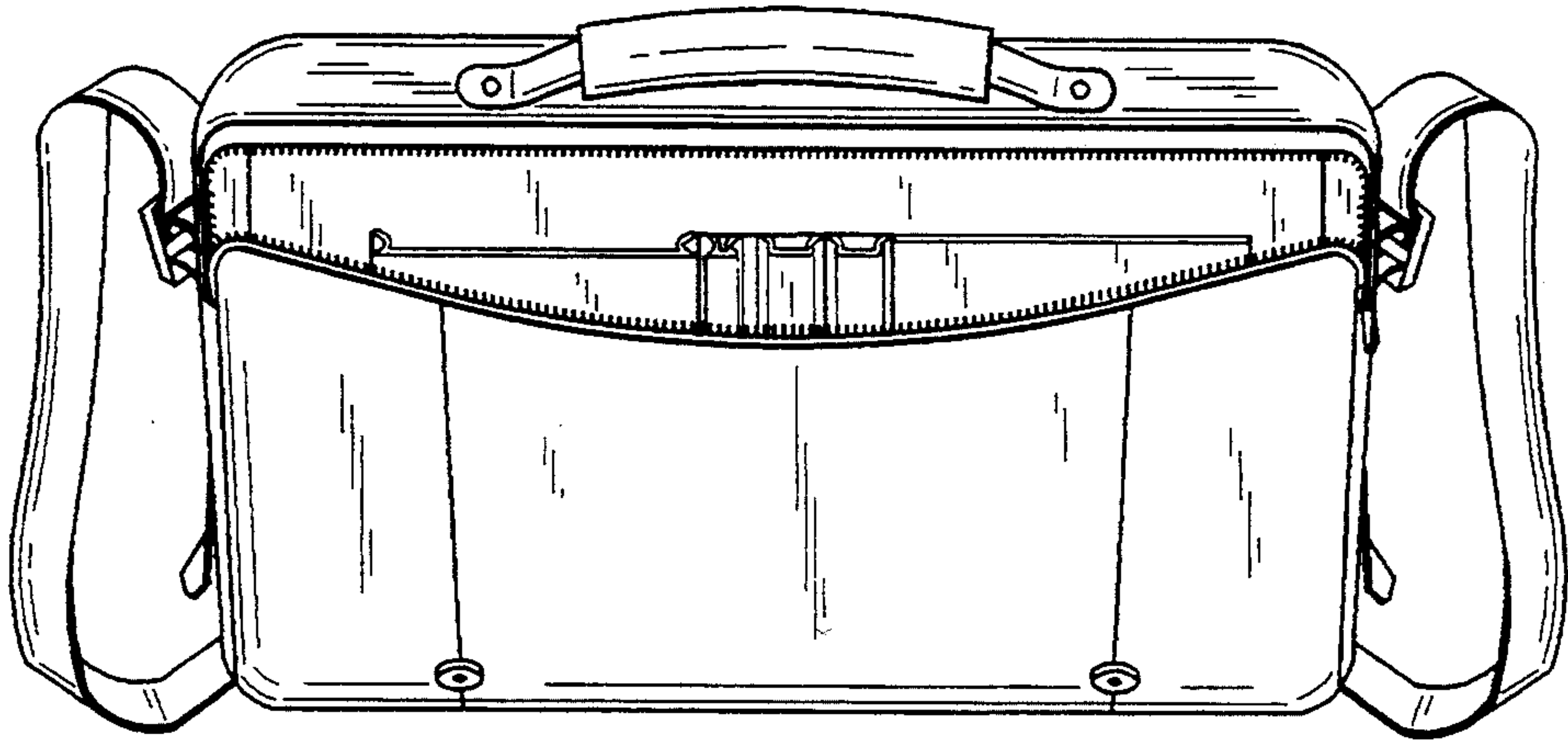


FIG. 19

