



US00D356677S

# United States Patent [19]

[11] Patent Number: **Des. 356,677**

**Kalasountas**

[45] Date of Patent: **\*\* Mar. 28, 1995**

[54] **GUN HOLSTER**

[75] Inventor: **Peter K. Kalasountas**, Renton, Wash.

[73] Assignee: **K & W Enterprises, Inc.**, Renton, Wash.

[\*\*] Term: **14 Years**

[21] Appl. No.: **11,794**

[22] Filed: **Aug. 13, 1993**

[52] U.S. Cl. .... **D3/222**

[58] Field of Search ..... **D3/222, 223, 215, 220, D3/226, 228, 262; 224/192, 193, 196, 197, 198, 232, 233, 234, 235, 236, 237, 238, 240, 243, 252, 901, 904, 911, 912**

3,942,692	3/1976	Chica	.....	224/253
3,955,724	5/1976	Perkins	.	
4,143,798	3/1979	Perkins	.....	224/243
4,273,276	6/1981	Perkins	.....	224/243
4,286,741	9/1981	Rogers	.....	224/193
4,294,385	10/1981	Rogers	.....	224/240
4,424,924	1/1984	Perkins	.....	224/252
4,760,944	8/1988	Hughes	.....	224/901
4,898,310	2/1990	Remington	.....	224/240
5,236,113	8/1993	Wisser	.....	224/242

*Primary Examiner*—A. Hugo Word  
*Assistant Examiner*—Catherine R. Oliver  
*Attorney, Agent, or Firm*—Seed and Berry

### [57] CLAIM

The ornamental design for a gun holster, as shown and described.

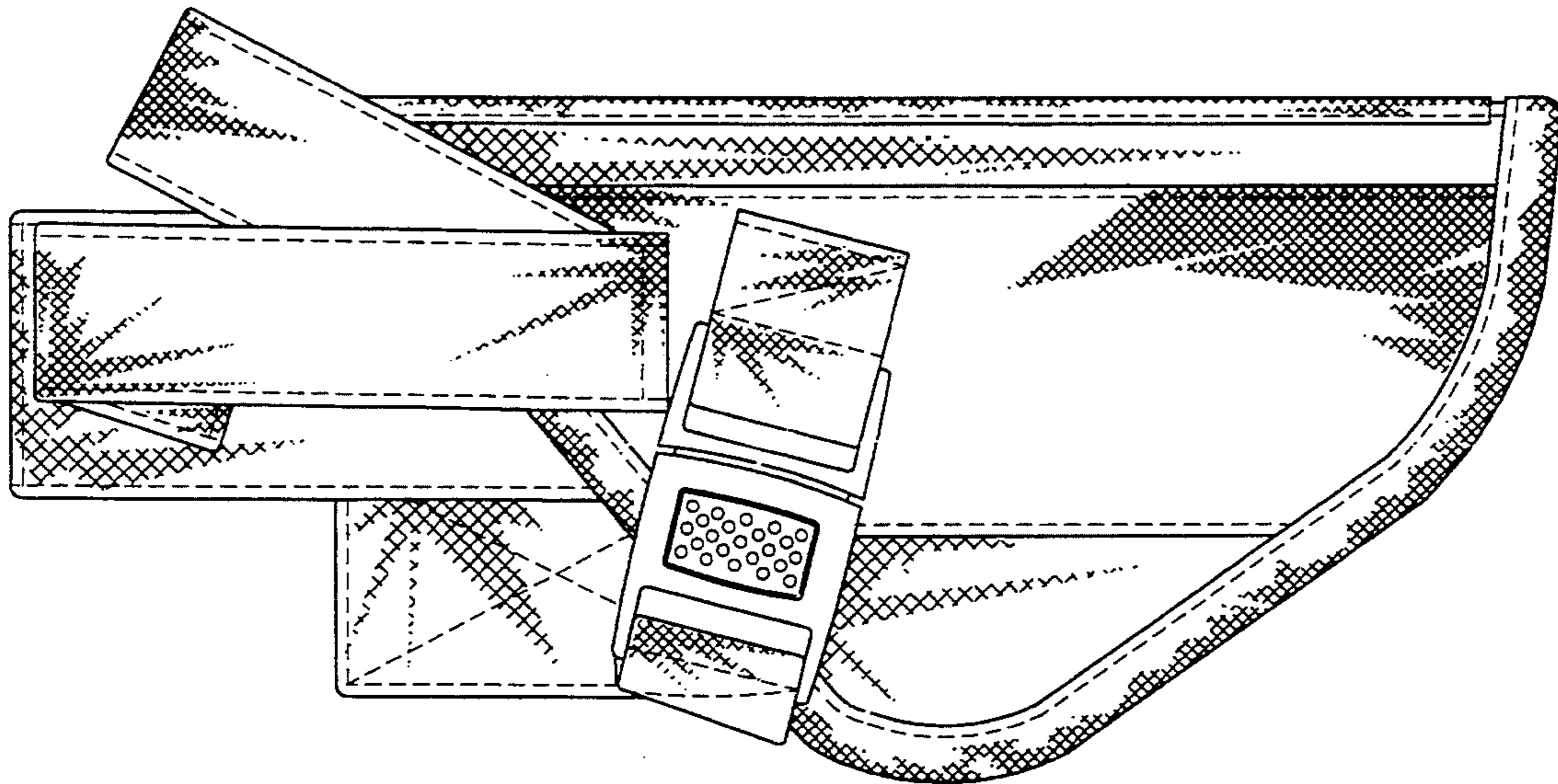
### [56] References Cited

#### U.S. PATENT DOCUMENTS

D. 292,751	11/1987	Remington	.....	D3/222
D. 294,198	2/1988	Collins	.....	D3/222
D. 294,199	2/1988	Collins	.....	D3/222
3,406,884	10/1968	Perkins	.	
3,664,560	5/1972	Perkins	.	
3,777,952	12/1973	Theodore	.....	224/253
3,902,639	9/1975	Rogers	.	
3,915,361	10/1975	Perkins	.	

#### DESCRIPTION

FIG. 1 is a front elevational view of a gun holster showing my new design;  
 FIG. 2 is a rear elevational view thereof;  
 FIG. 3 is a bottom plan view thereof;  
 FIG. 4 is a top plan view thereof;  
 FIG. 5 is a right end elevational view thereof; and,  
 FIG. 6 is a left end elevational view thereof.



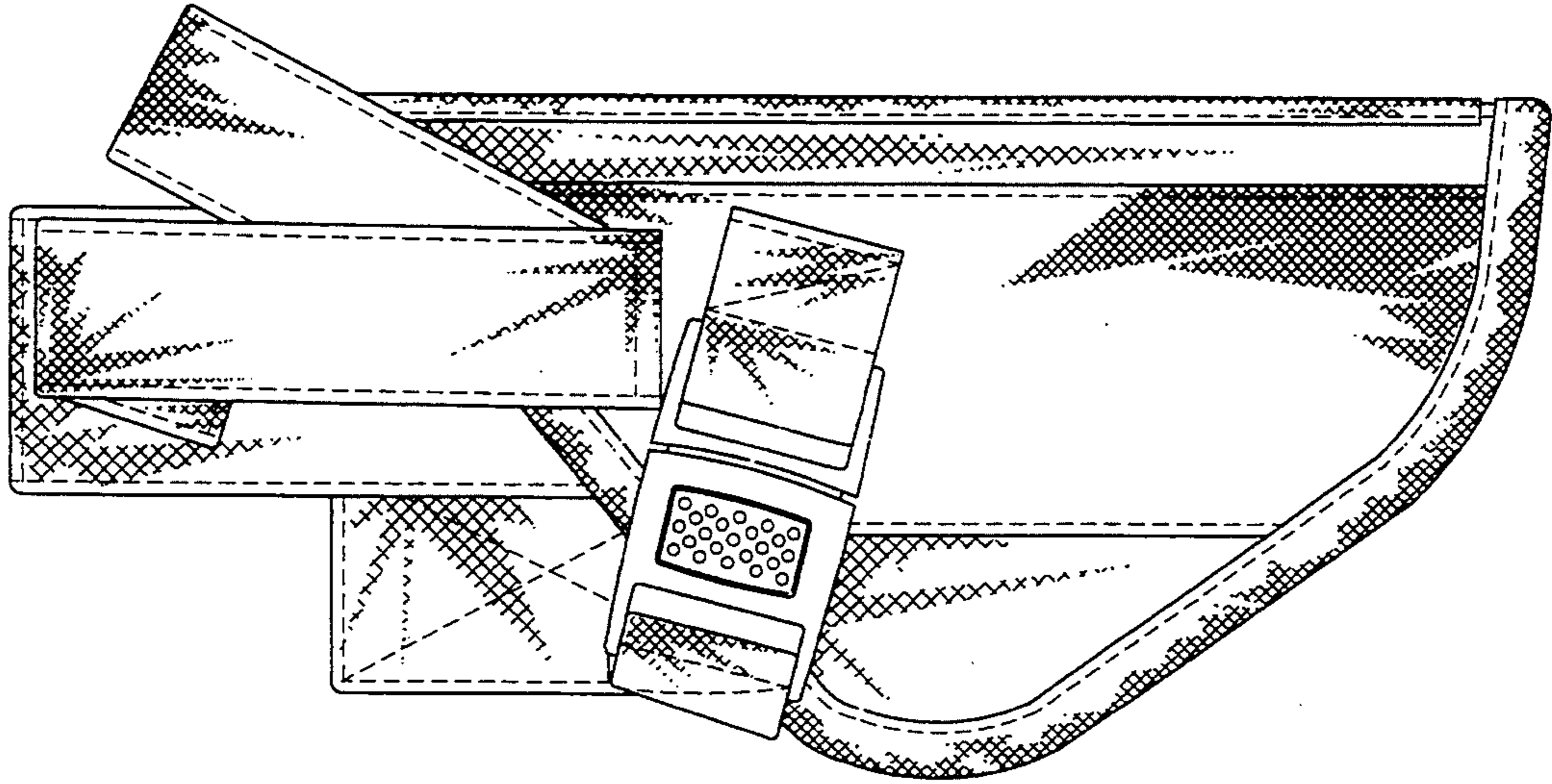


Figure 1

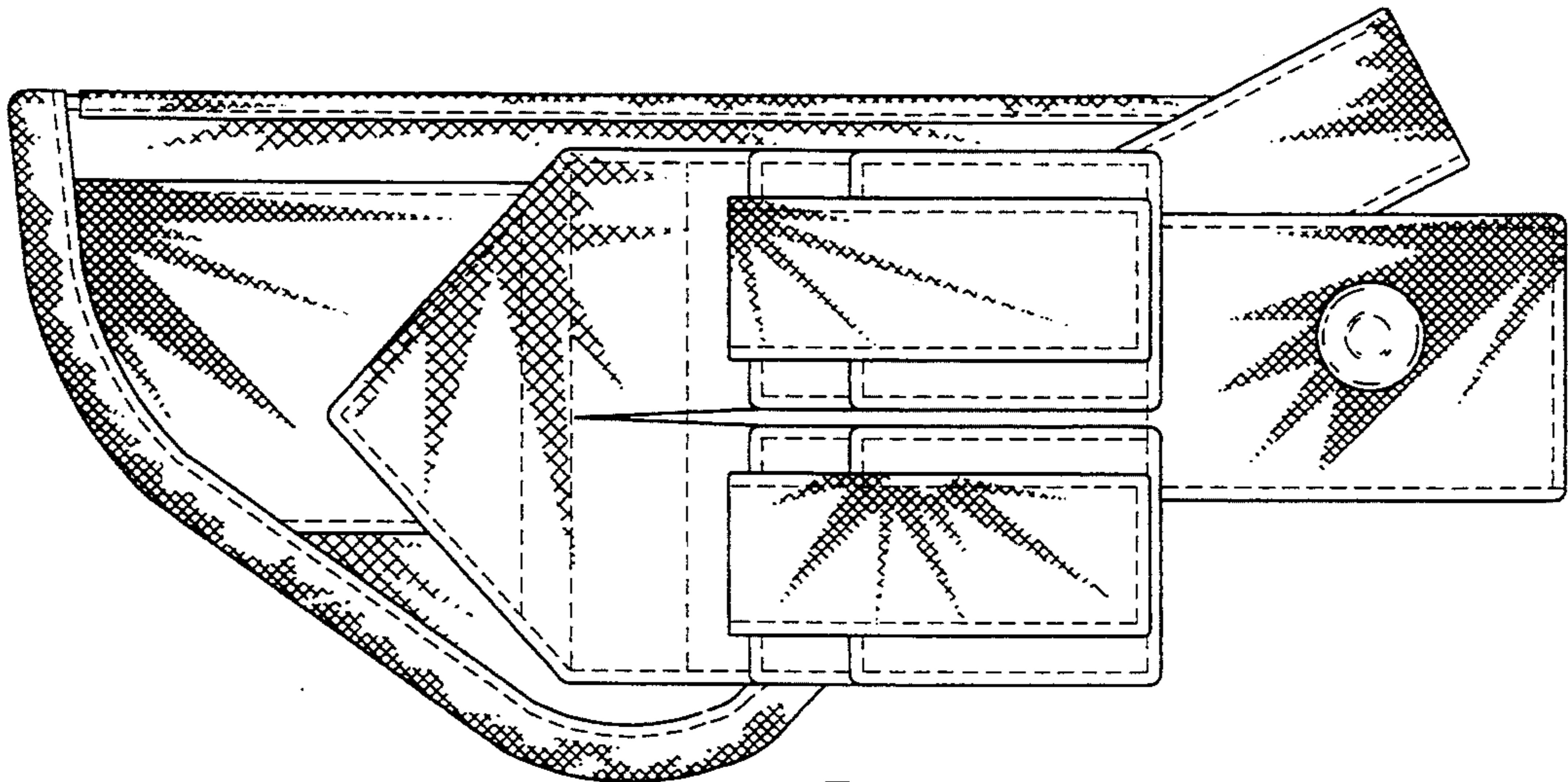


Figure 2

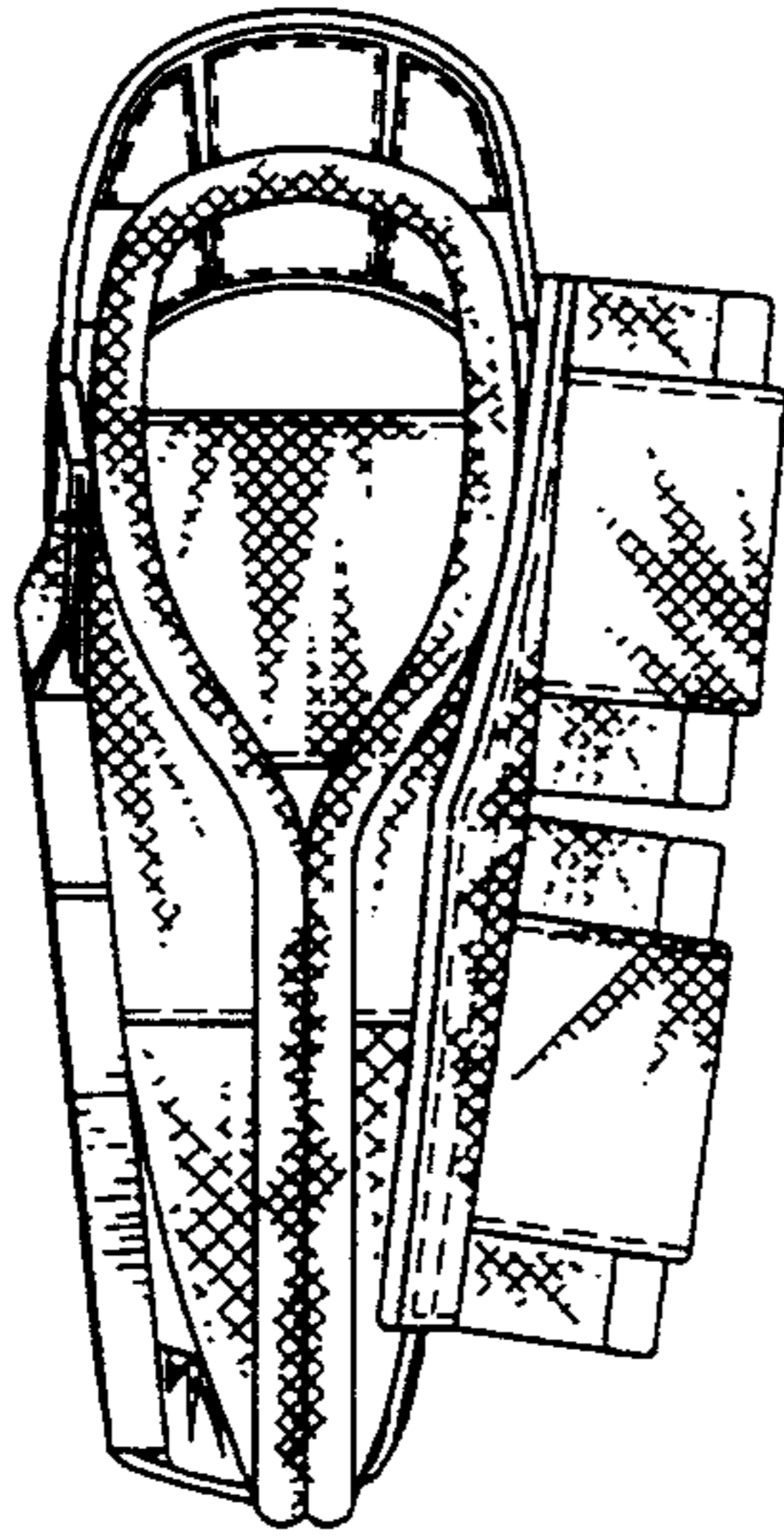


Figure 3

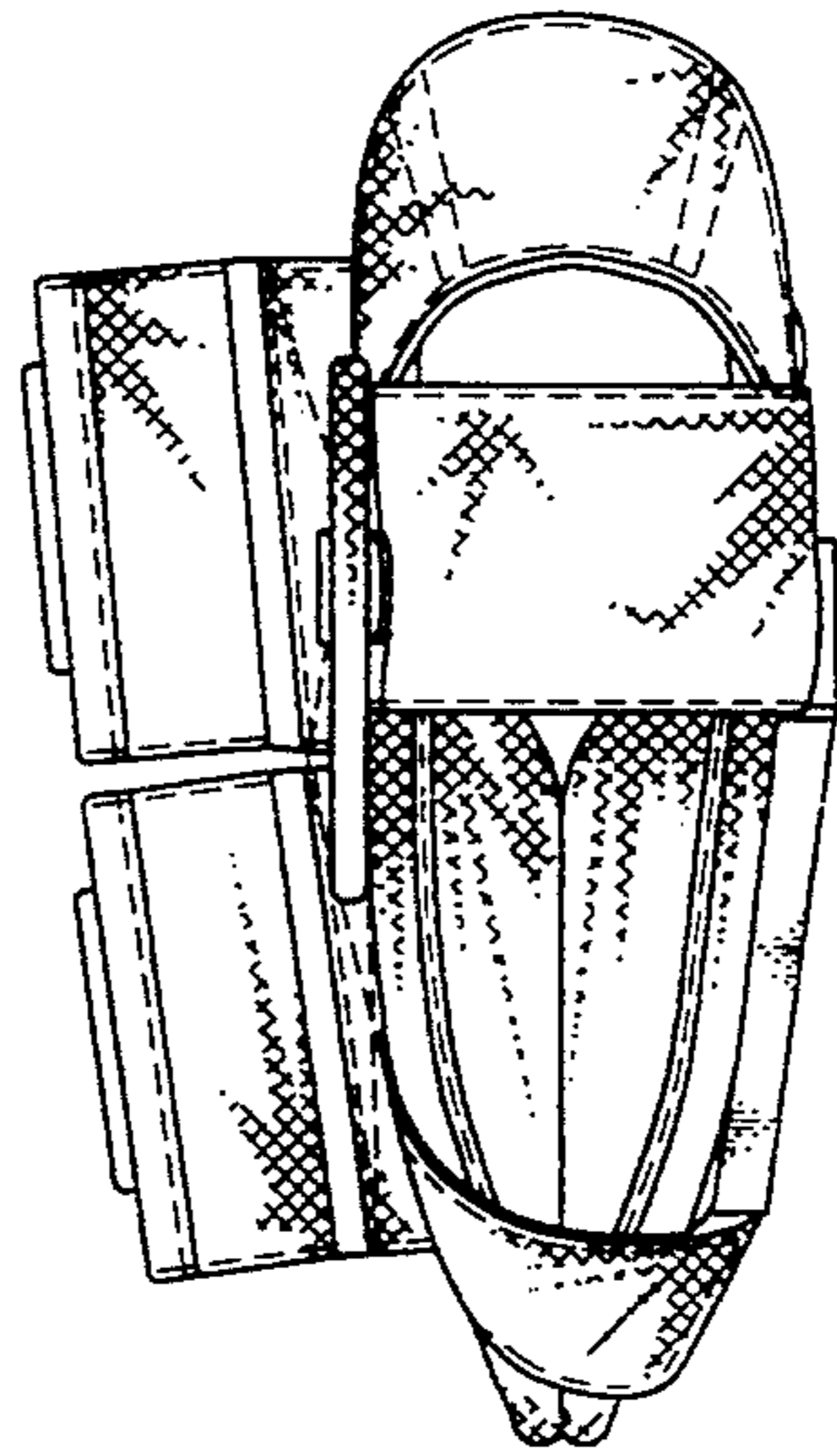


Figure 4

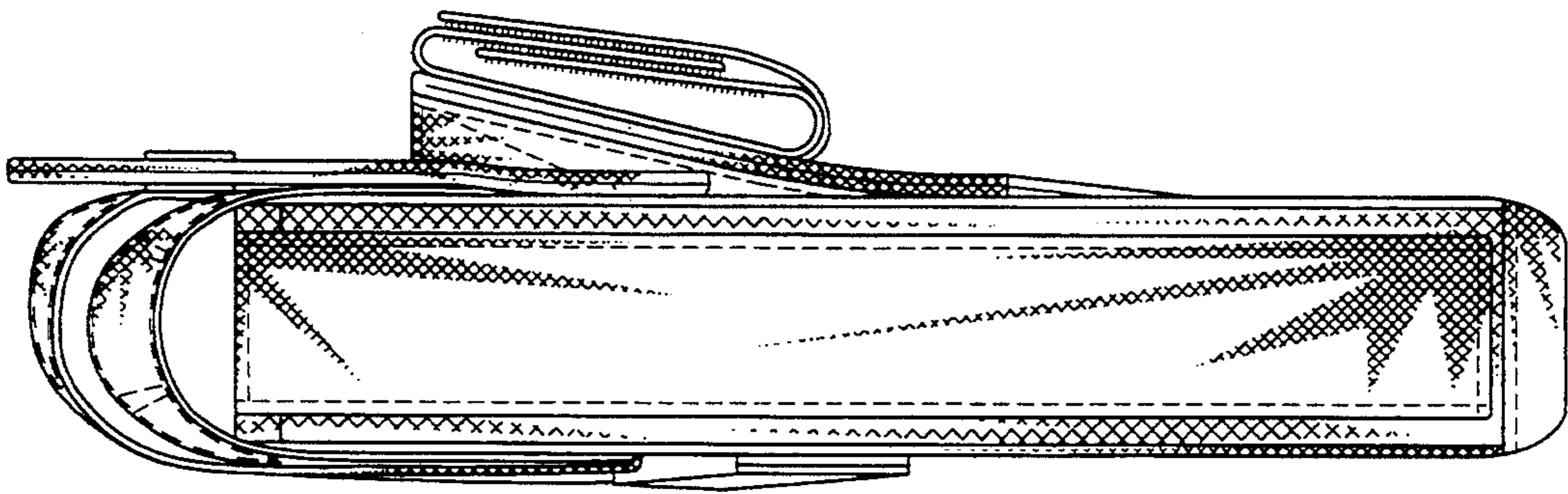


Figure 5

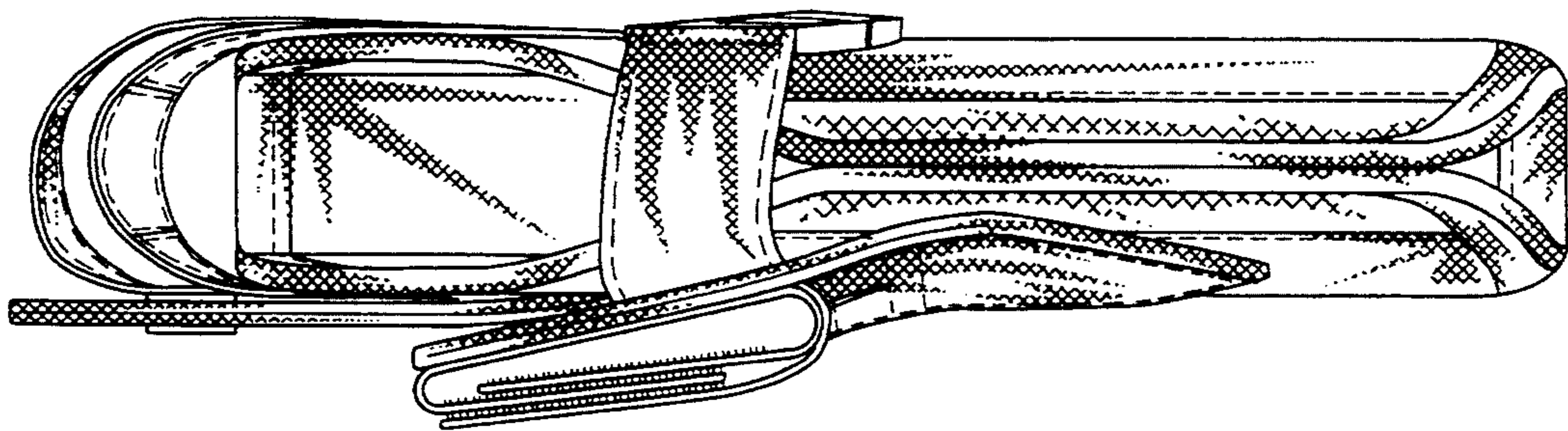


Figure 6