



US00D356654S

United States Patent [19] Chiang

[11] Patent Number: **Des. 356,654**

[45] Date of Patent: **** Mar. 21, 1995**

[54] **ADJUSTABLE DESK LAMP**

[75] Inventor: **Randy Chiang**, Taipei, Taiwan, Prov. of China

[73] Assignee: **Kar Bow Industries Co., Ltd.**, Taipei, Taiwan, Prov. of China

[**] Term: **14 Years**

[21] Appl. No.: **7,622**

[22] Filed: **Apr. 27, 1993**

[52] U.S. Cl. **D26/97; D26/65**

[58] Field of Search **D26/60, 61, 63, 64, D26/65, 97; 362/269, 277, 413, 418, 419, 427, 806; D21/131, 132, 135**

[56] **References Cited**

U.S. PATENT DOCUMENTS

D. 288,341 2/1987 Ohno D21/132 X

OTHER PUBLICATIONS

Taylor Gift Catalog, p. 96, Fire Engine Lamp/Night Light.

Washington Post, Nov. 17, 1966, p. A22, Lansburgh's Engine Hi-Intensity Lamp.

Primary Examiner—Susan J. Lucas

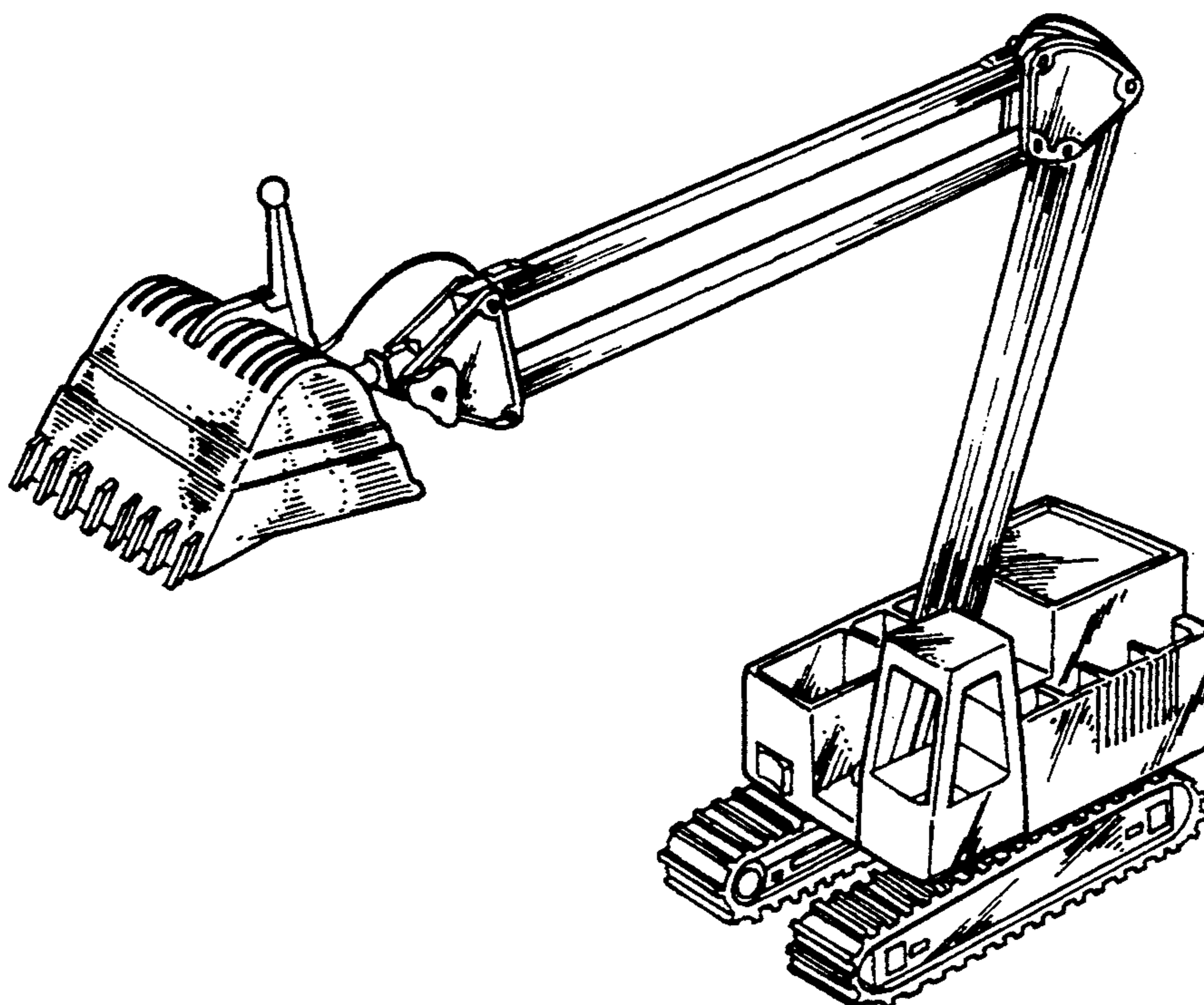
Attorney, Agent, or Firm—Pro-Techtor International

[57] **CLAIM**

The ornamental design for adjustable desk lamp, as shown and described.

DESCRIPTION

FIG. 1 is a top, front, right side, perspective view of an adjustable desk lamp showing my new design; FIG. 2 is a front view thereof on an enlarged scale; FIG. 3 is a rear view thereof on an enlarged scale; FIG. 4 is a left view thereof on an enlarged scale; FIG. 5 is a right view thereof on an enlarged scale; FIG. 6 is a top view thereof on an enlarged scale; and, FIG. 7 is a bottom view thereof on an enlarged scale.



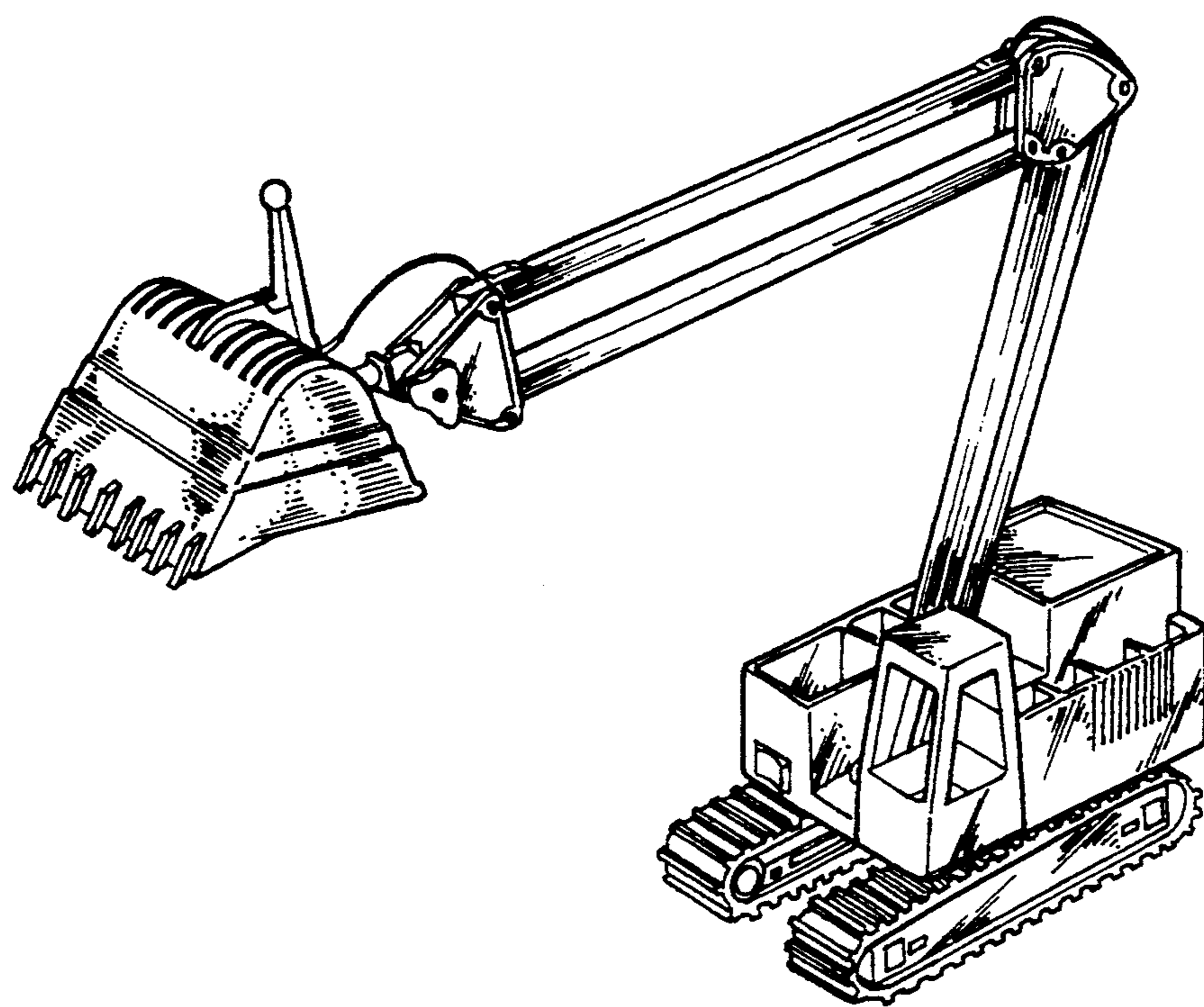


FIG. 1

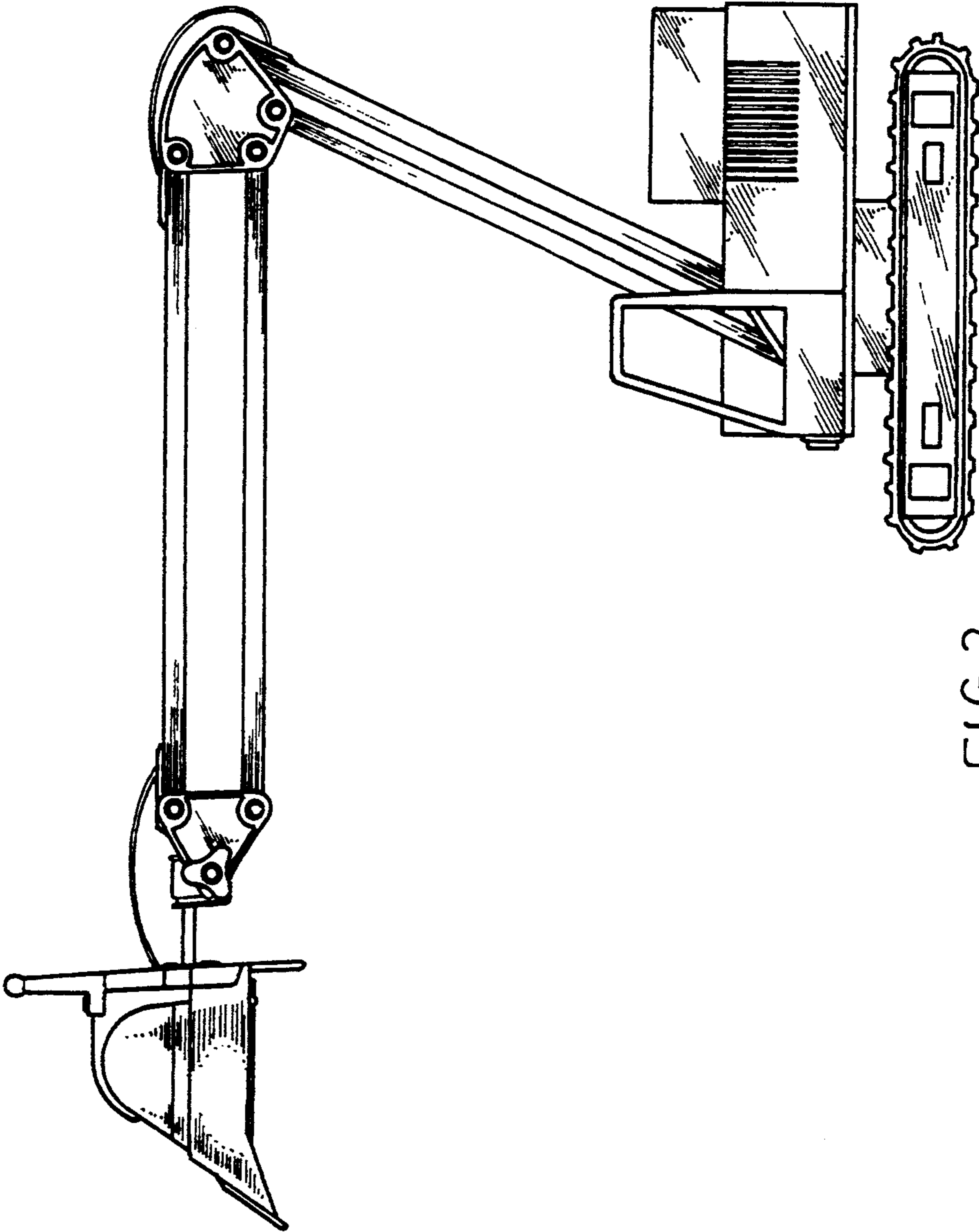


FIG.2

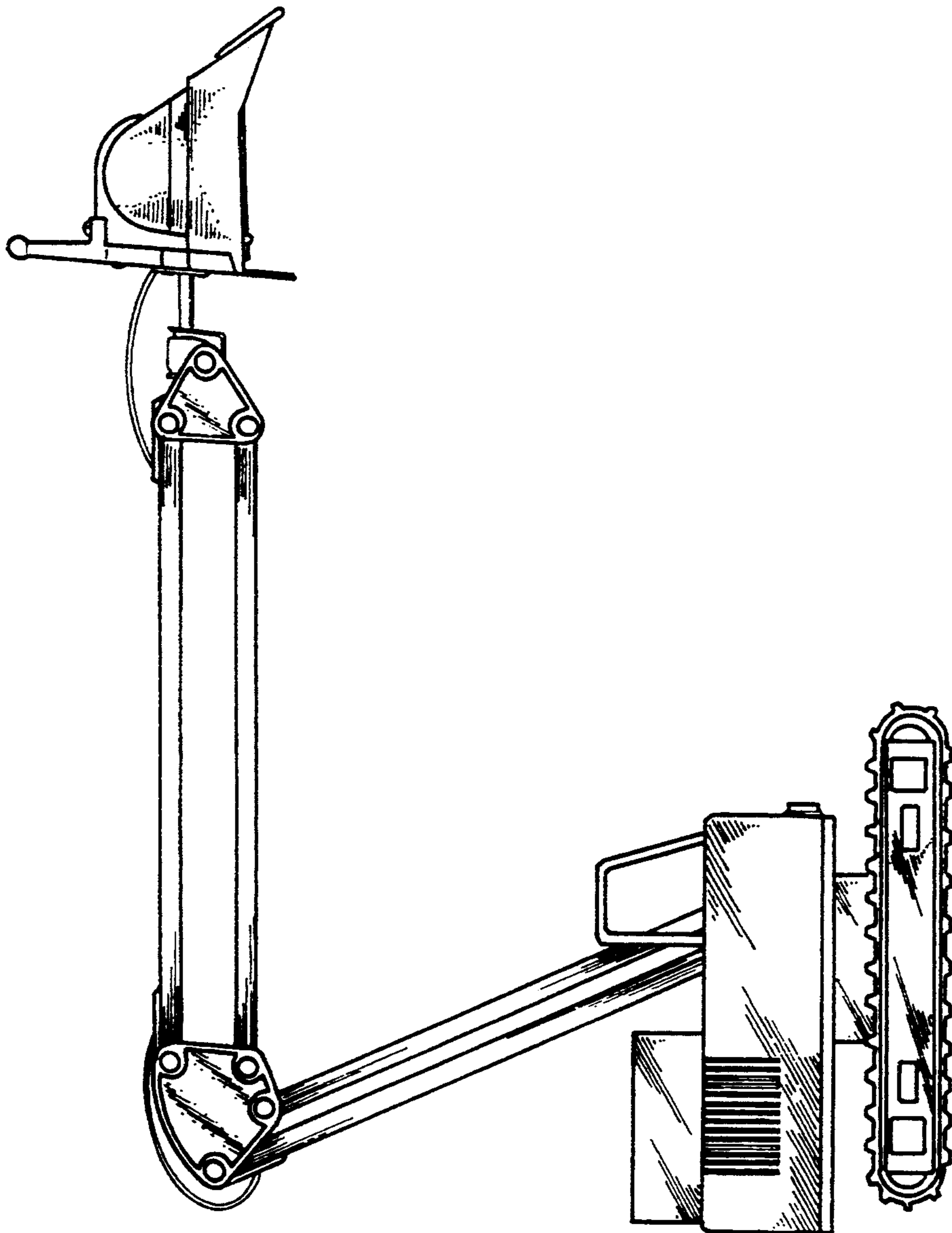


FIG. 3

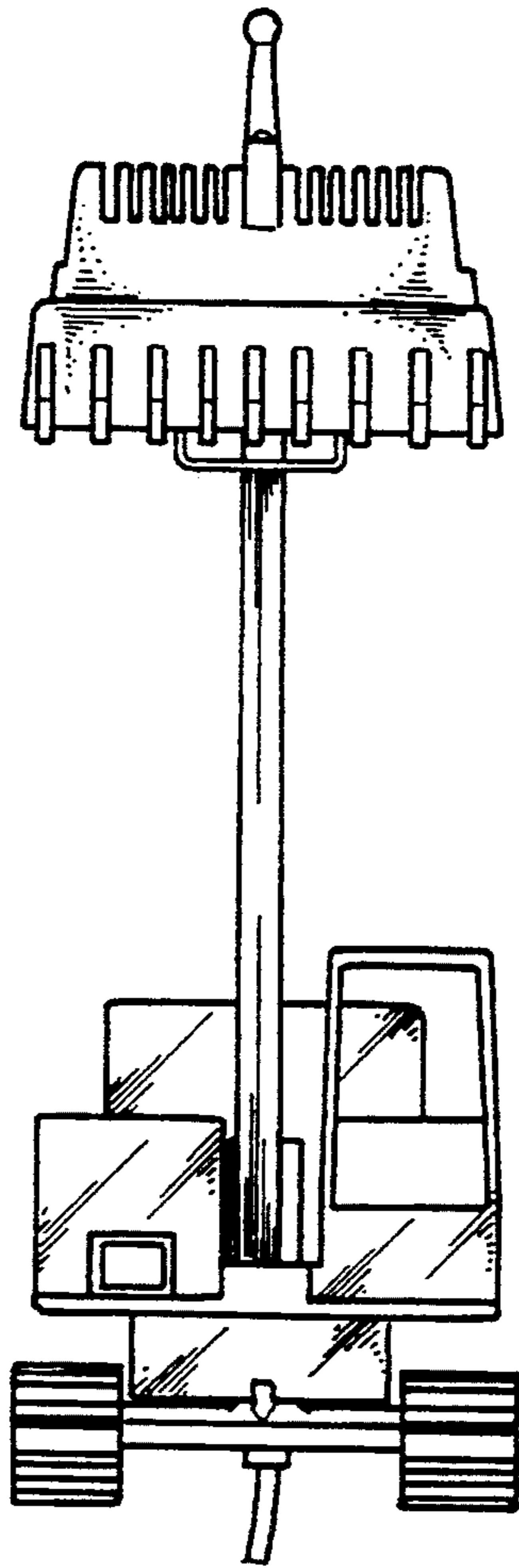


FIG. 4

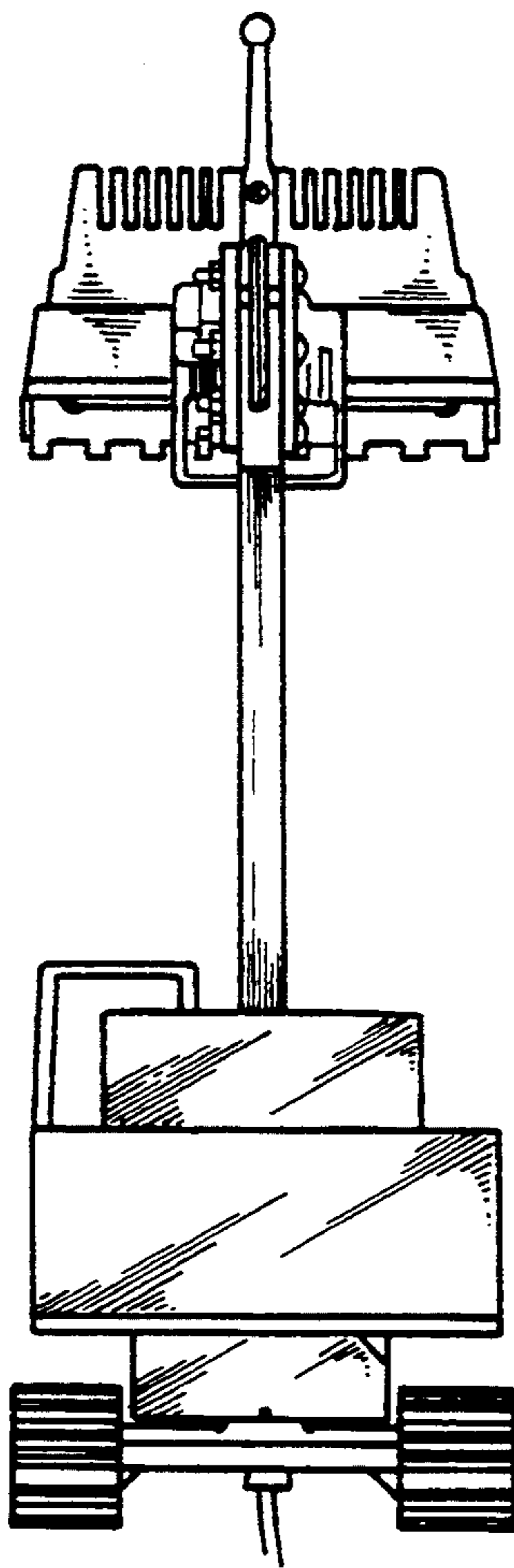


FIG. 5

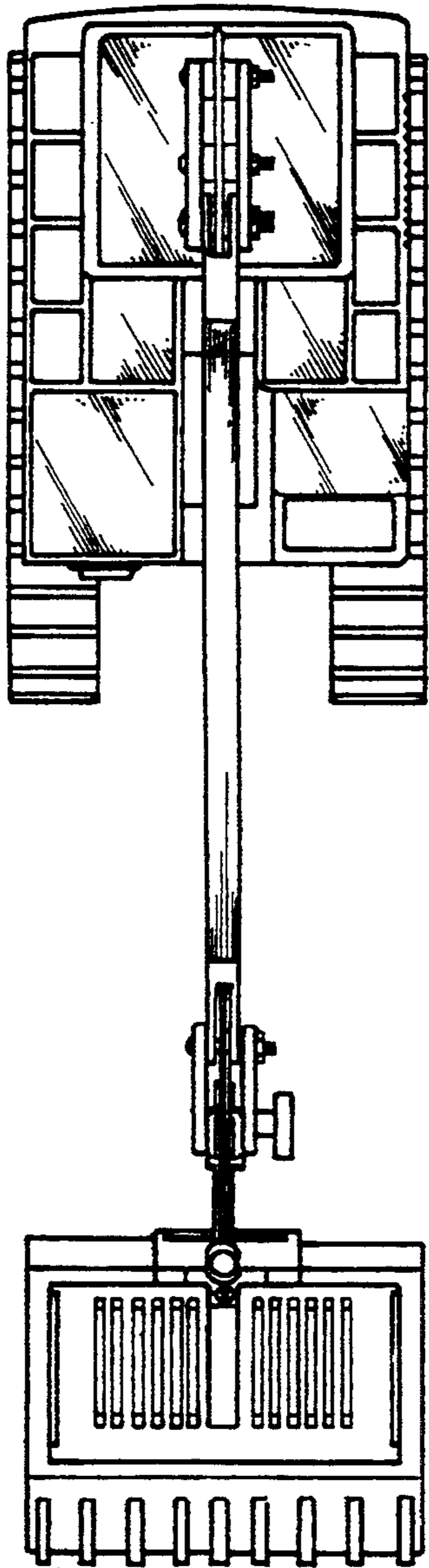


FIG. 6

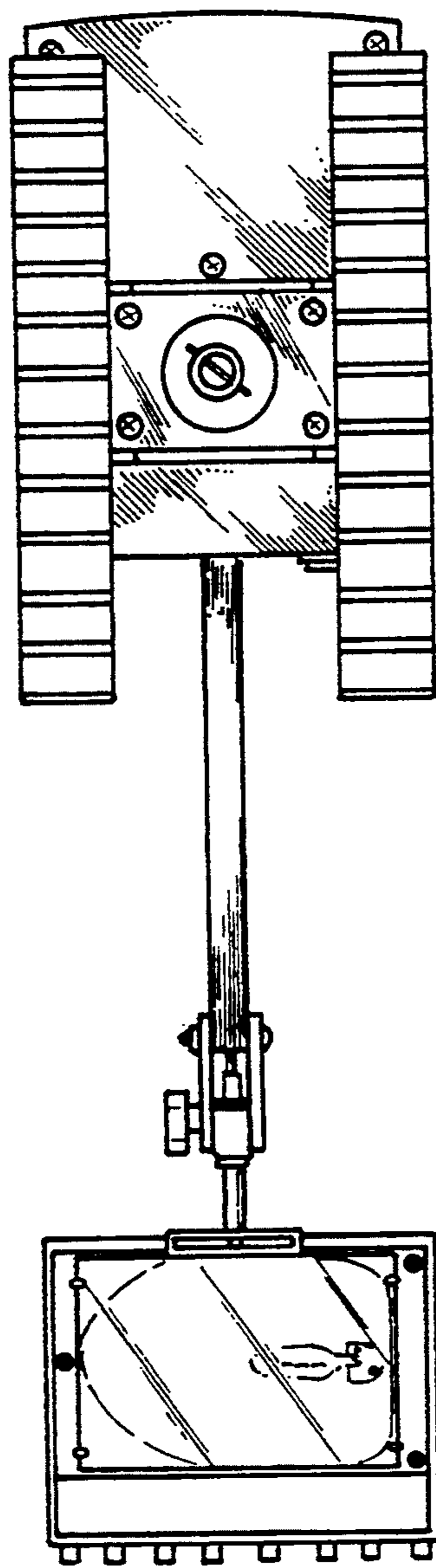


FIG. 7