



US00D356653S

# United States Patent [19]

[11] Patent Number: **Des. 356,653**

McVicker

[45] Date of Patent: **\*\* Mar. 21, 1995**

[54] YARD LIGHT

[57] CLAIM

[76] Inventor: **Richard E. McVicker**, 6521 Orville La., Indianapolis, Ind. 46237

The ornamental design for a yard light, as shown and described.

[\*\*] Term: **14 Years**

### DESCRIPTION

[21] Appl. No.: **7,547**

FIG. 1 is a perspective view of a yard light including the front and right side showing my new design in solid lines;

[22] Filed: **Apr. 26, 1993**

FIG. 2 is a front view thereof with the back view being a mirror image thereof;

[52] U.S. Cl. .... **D26/69; D25/127**

[58] Field of Search ..... **D26/67-71; 362/431, 153, 153.1; D25/126, 127, 128; 52/721; 248/158, 163.1**

FIG. 3 is a right-side elevational view of FIG. 2 with the left-side being a mirror image thereof;

FIG. 4 is a top plan view of FIG. 1;

[56] **References Cited**

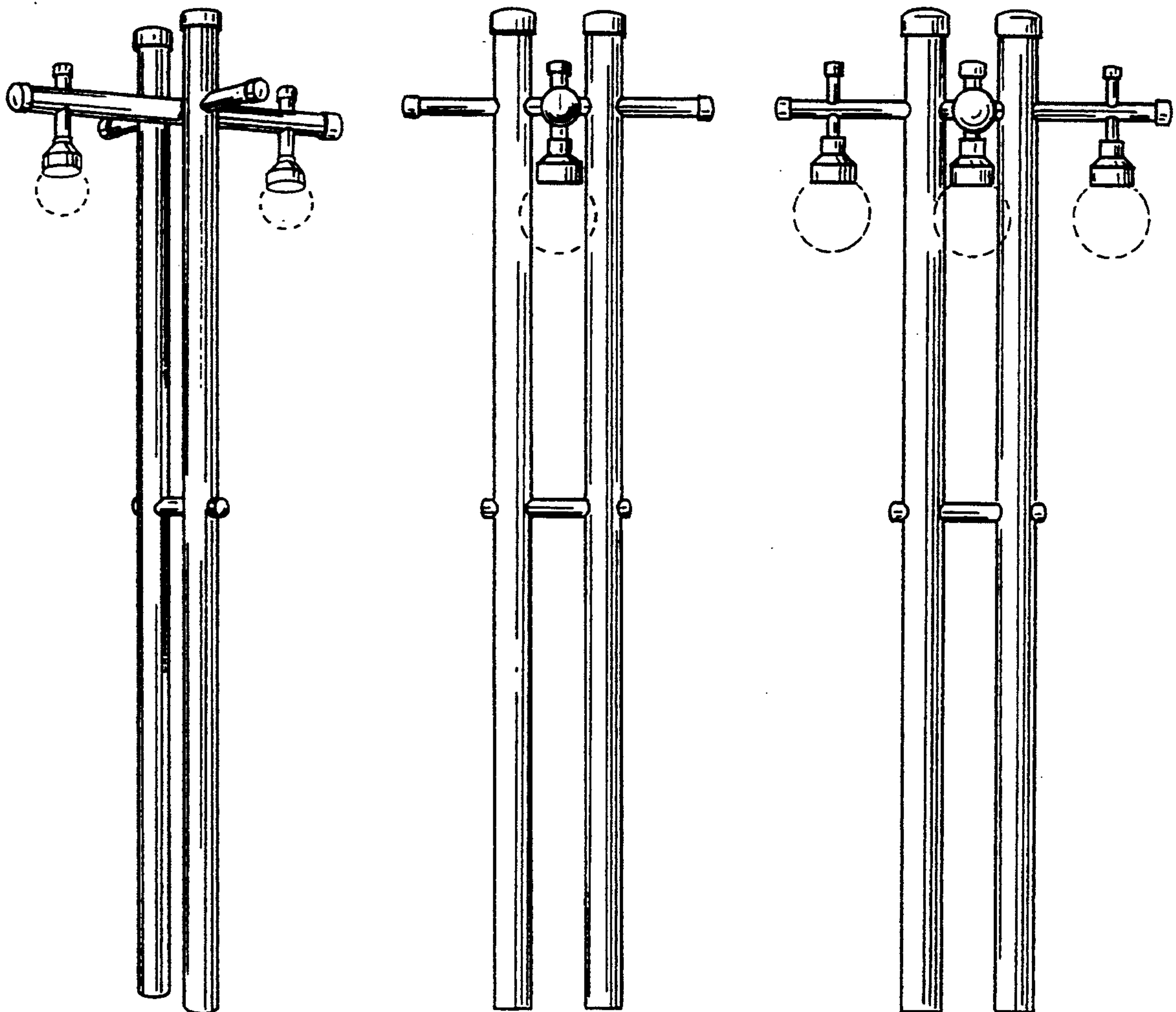
#### U.S. PATENT DOCUMENTS

D. 40,737	6/1910	Munhall	.....	D26/69
D. 220,536	4/1971	Selden	.....	D25/127
2,469,805	5/1949	Wilkinson et al.	.....	52/721 X

FIG. 5 is a front elevational view of a second embodiment of a yard light showing my new design in solid lines with the back view being a mirror image thereof; FIG. 6 is a right-side elevational view of FIG. 5 with the left-side being a mirror image thereof; and, FIG. 7 is a top plan view of FIG. 5.

Broken lines illustrated in the drawings are not part of the design sought to be patented.

Primary Examiner—Susan J. Lucas



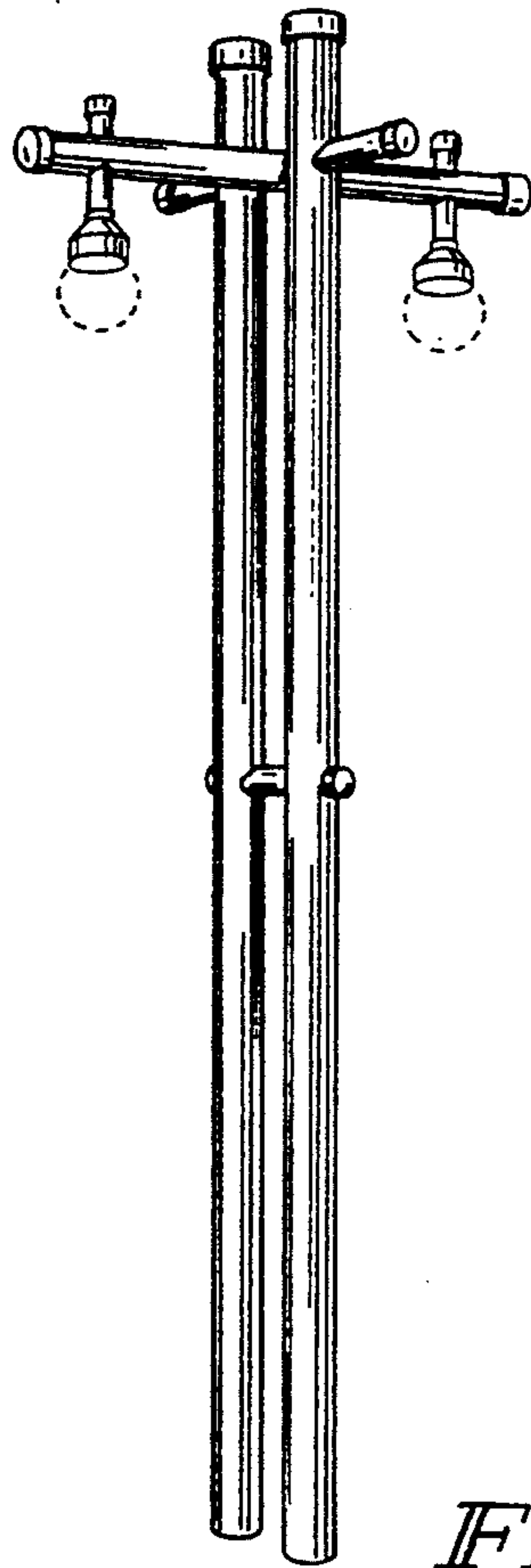


FIG. 1

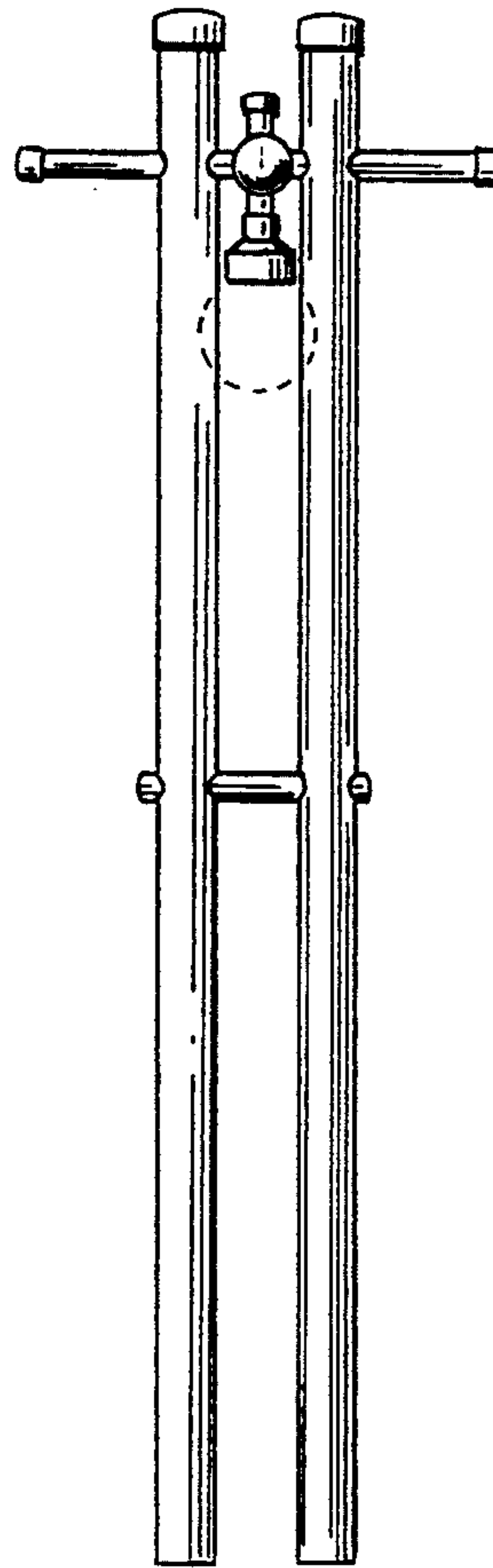


FIG. 2

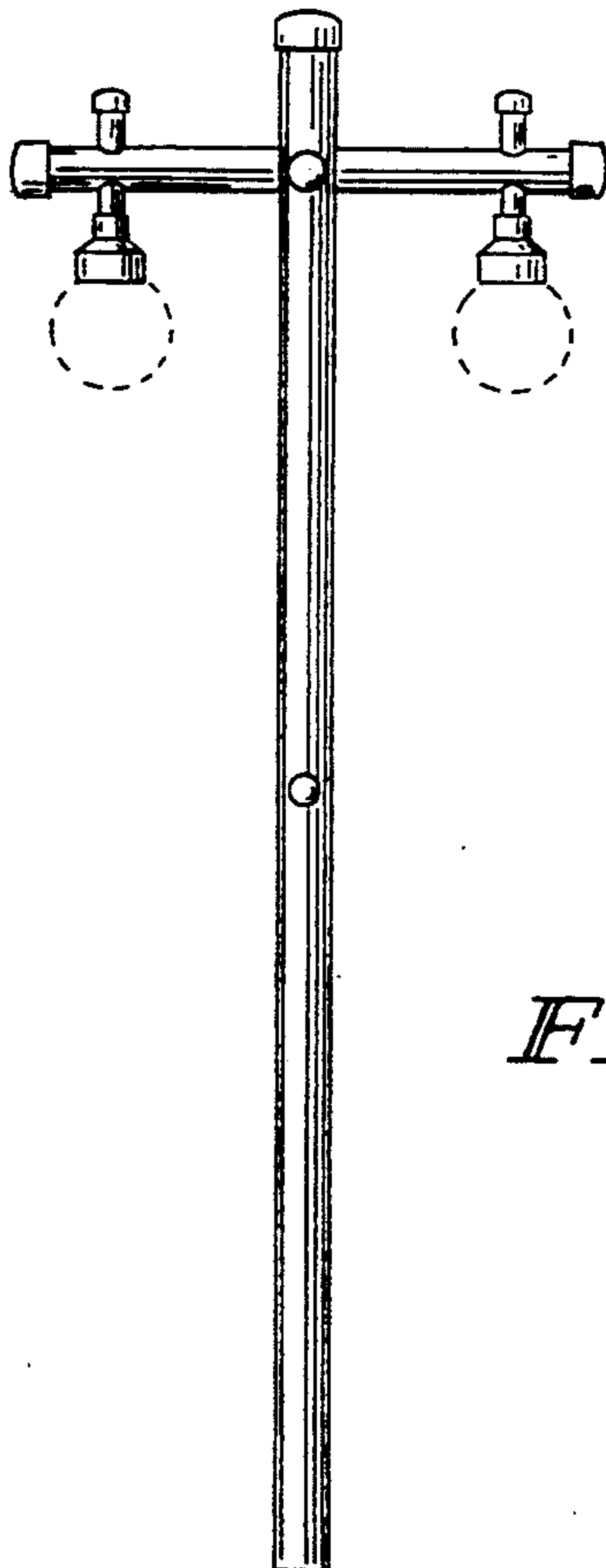


FIG. 3

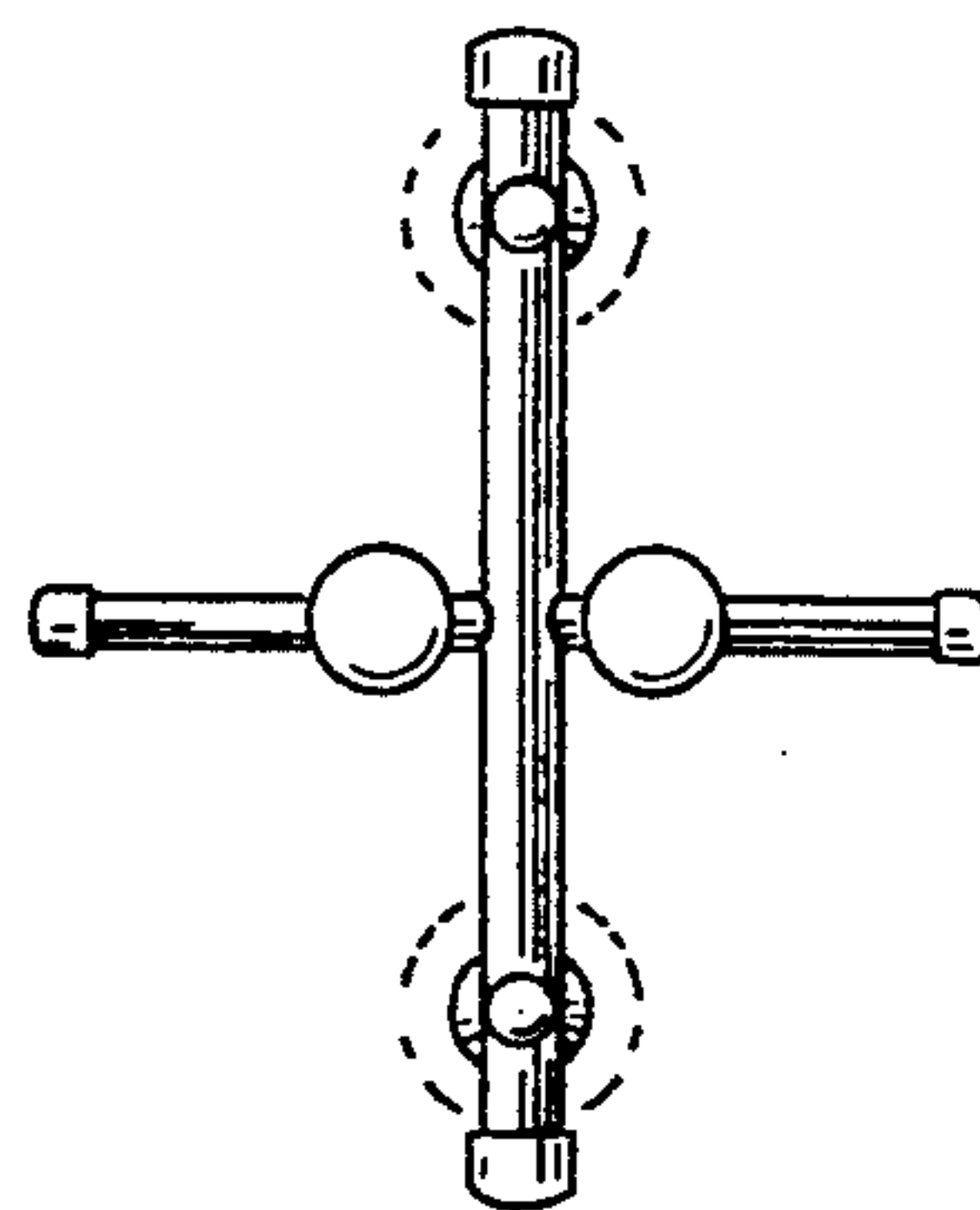
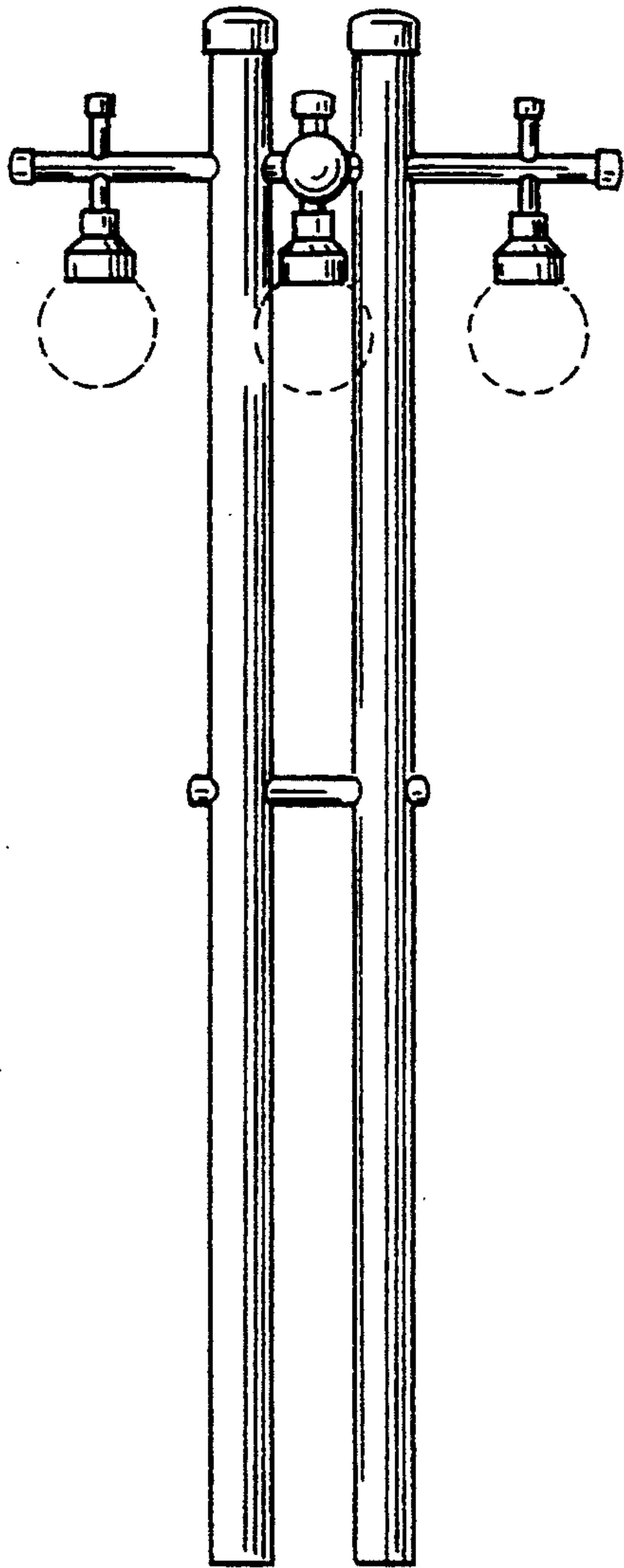
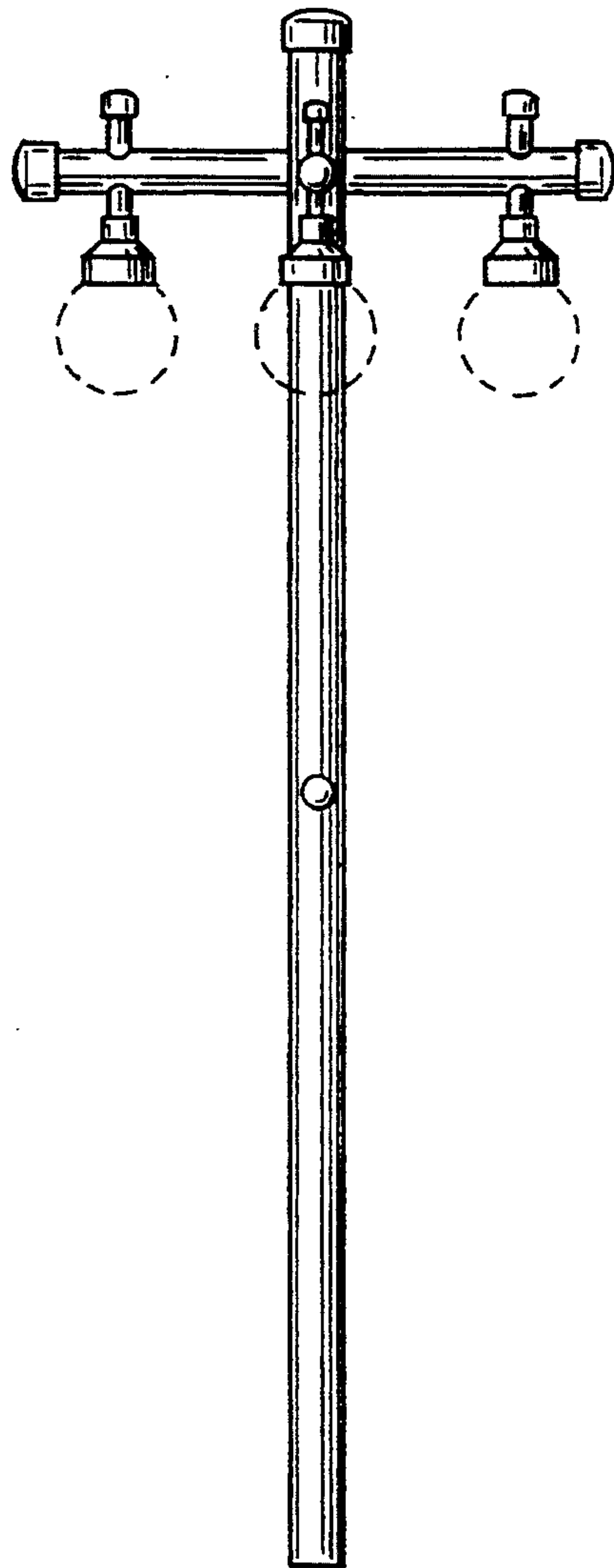


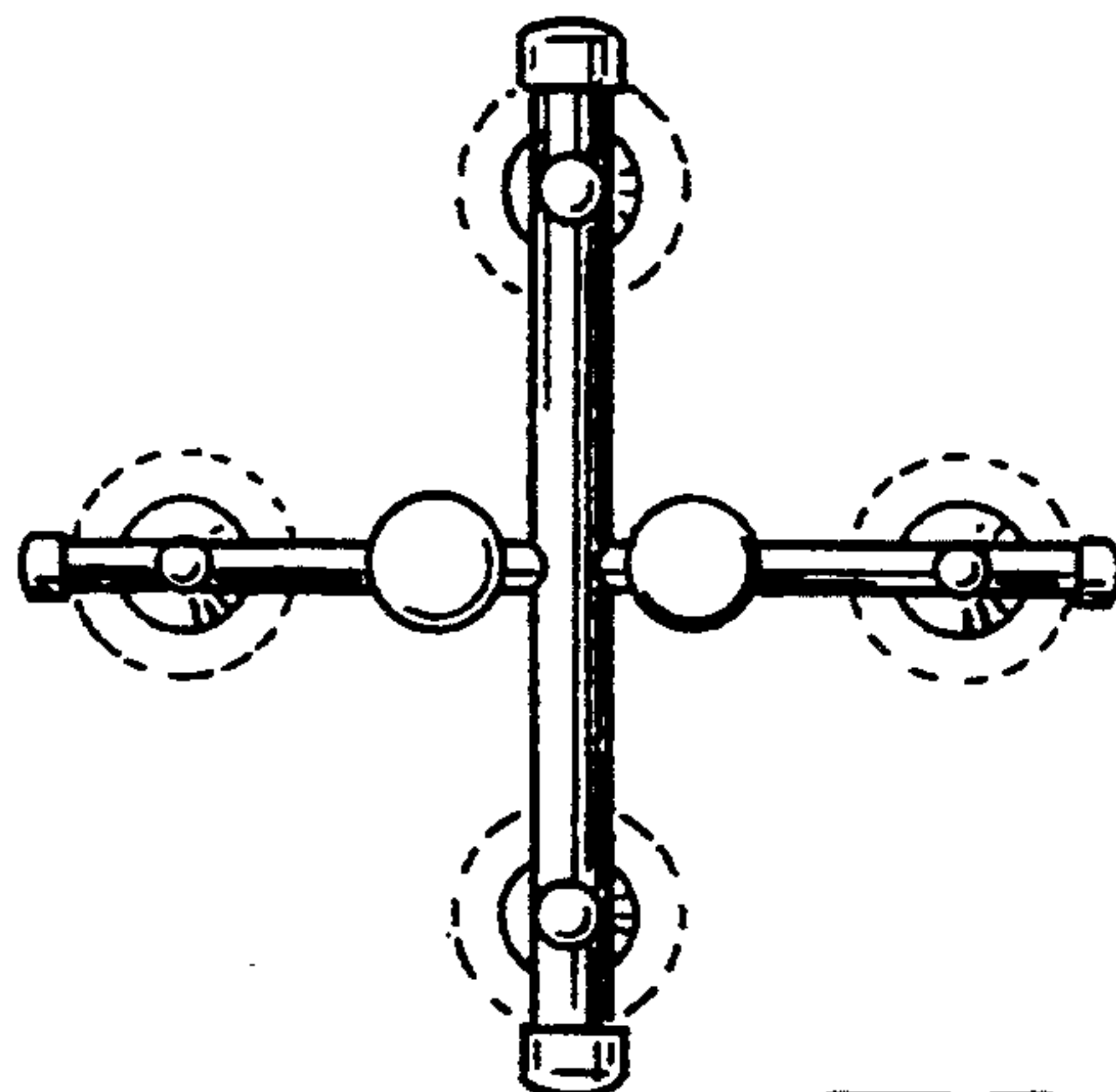
FIG. 4



*FIG. 5*



*FIG. 6*



*FIG. 7*