



US00D356651S

**United States Patent** [19]  
**Stephen**

[11] **Patent Number: Des. 356,651**  
[45] **Date of Patent: \*\* Mar. 21, 1995**

[54] **FLASHLIGHT**

[56] **References Cited**

[75] **Inventor: Law Y. F. Stephen, Tuen Mun, Hong Kong**

**U.S. PATENT DOCUMENTS**

D. 307,057 4/1990 Seok ..... D26/49  
D. 312,138 11/1990 Burns ..... D26/49  
D. 333,527 2/1993 Leung ..... D26/49

[73] **Assignee: Value Pool Manufacturing Company Limited, Hong Kong**

*Primary Examiner*—Susan J. Lucas  
*Attorney, Agent, or Firm*—Klarquist Sparkman  
Campbell Leigh & Winston

[\*\*] **Term: 14 Years**

[57] **CLAIM**

The ornamental design for a flashlight, as shown and described.

[21] **Appl. No.: 16,777**

**DESCRIPTION**

[22] **Filed: Dec. 23, 1993**

FIG. 1 is a perspective view of a flashlight in accordance with the present invention as viewed from in front thereof;

[30] **Foreign Application Priority Data**

Jun. 24, 1993 [GB] United Kingdom ..... 2031983

FIG. 2 is a side elevation thereof;

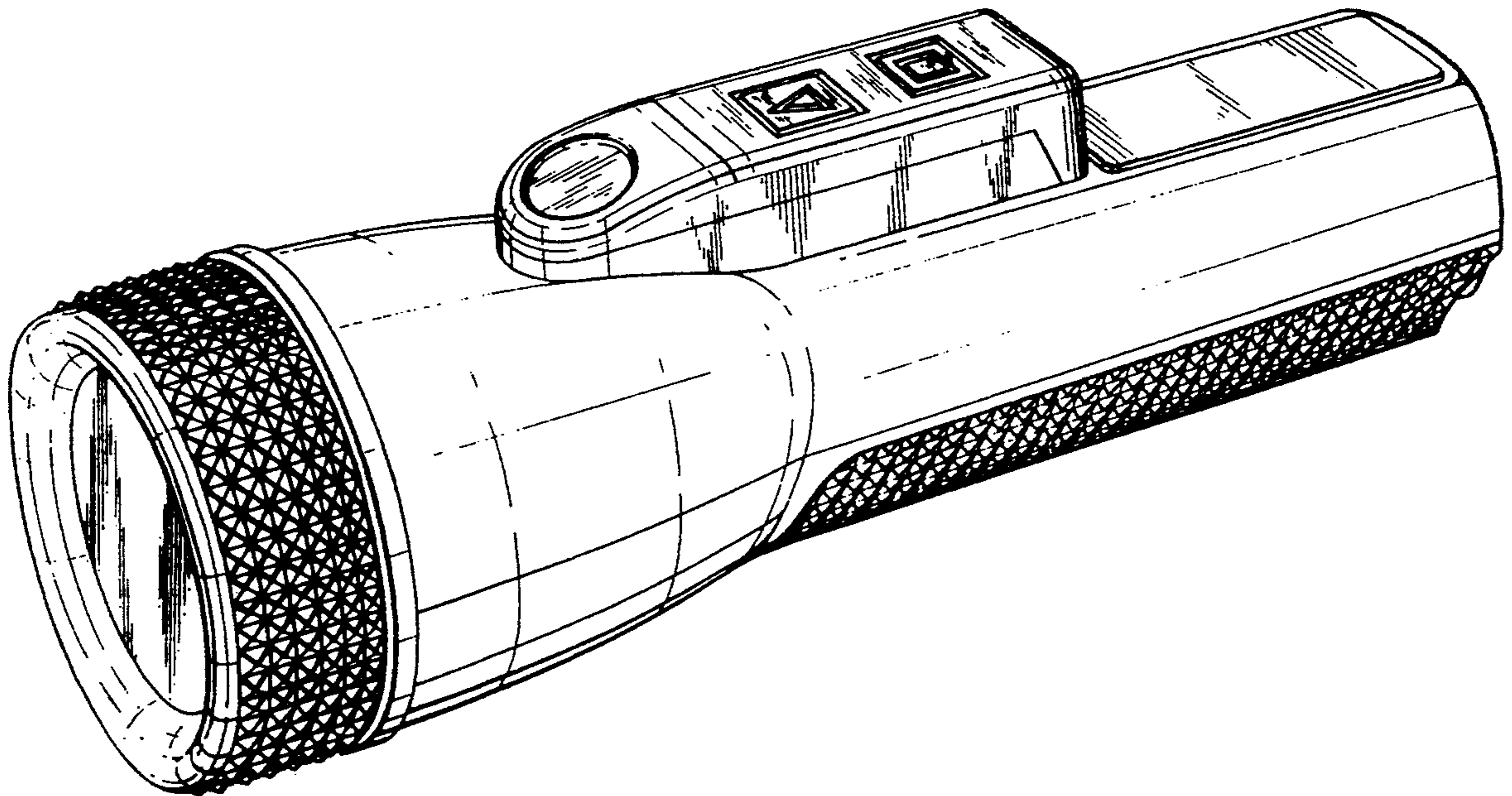
[52] **U.S. Cl. .... D26/49**

FIG. 3 is a side elevation thereof rotated 90° from its position in FIG. 2;

[58] **Field of Search .... D26/37-50;  
362/157, 158, 183, 184, 187-191, 197-200, 202**

FIG. 4 is a rear elevation view thereof; and,

FIG. 5 is a fragmentary perspective view as viewed from the rear thereof.



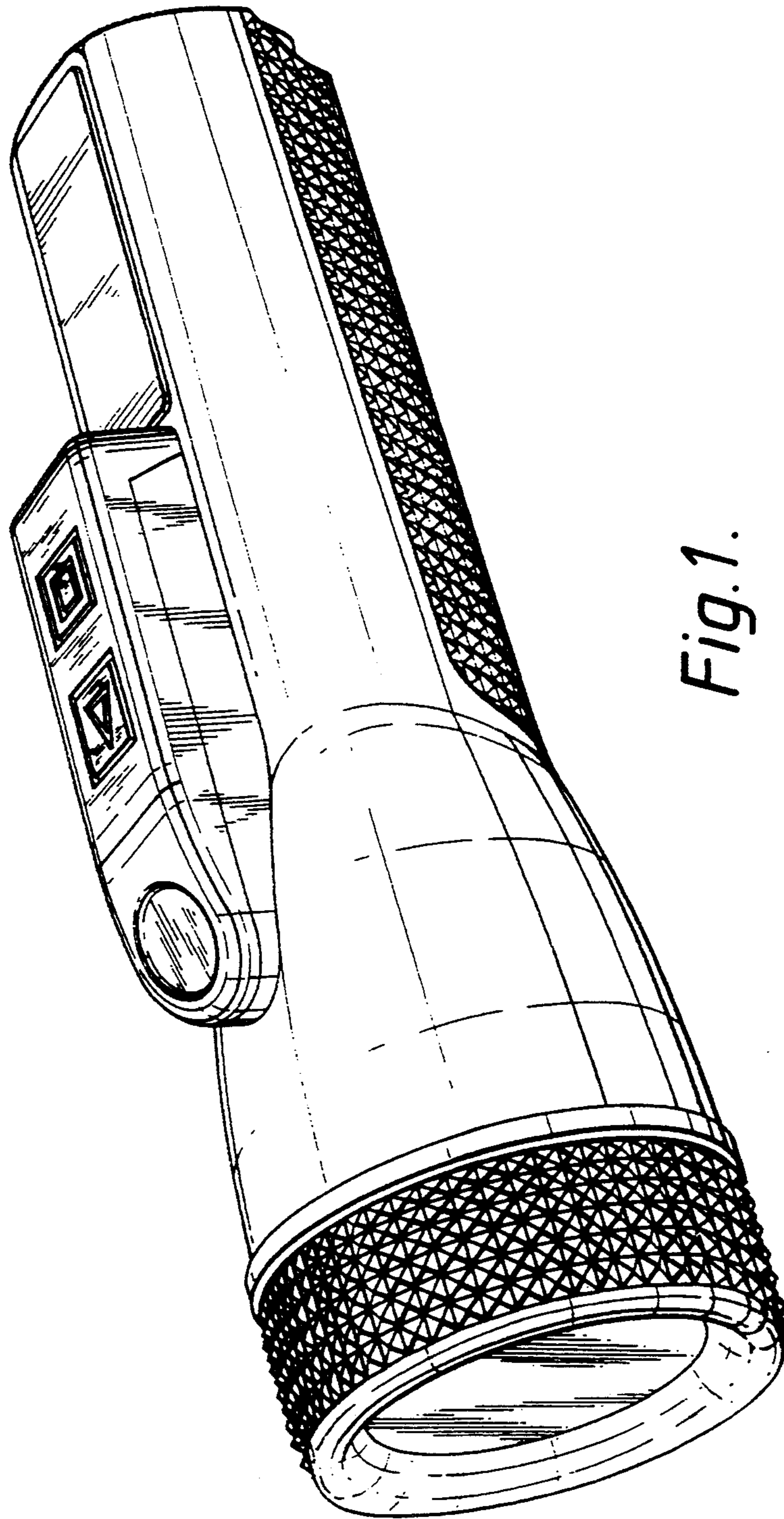
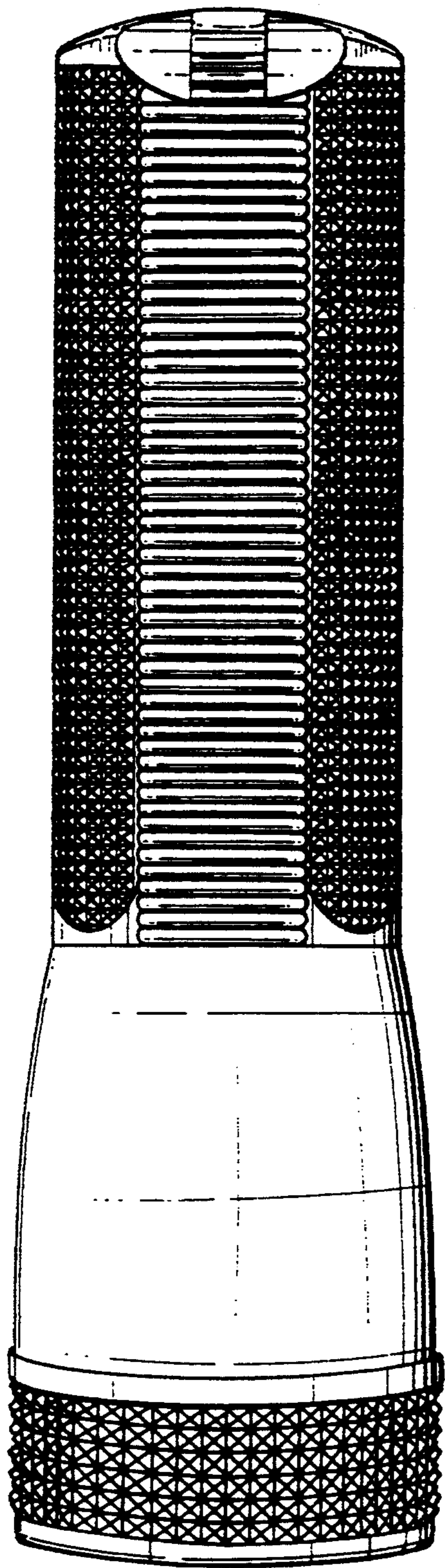
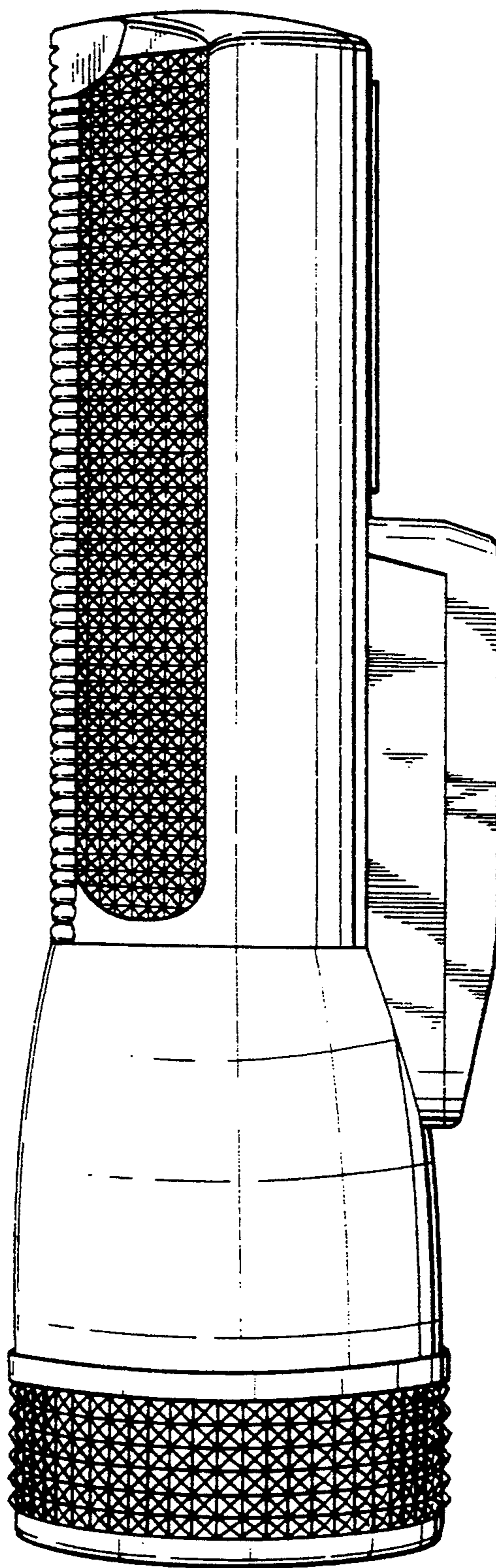


Fig. 1.

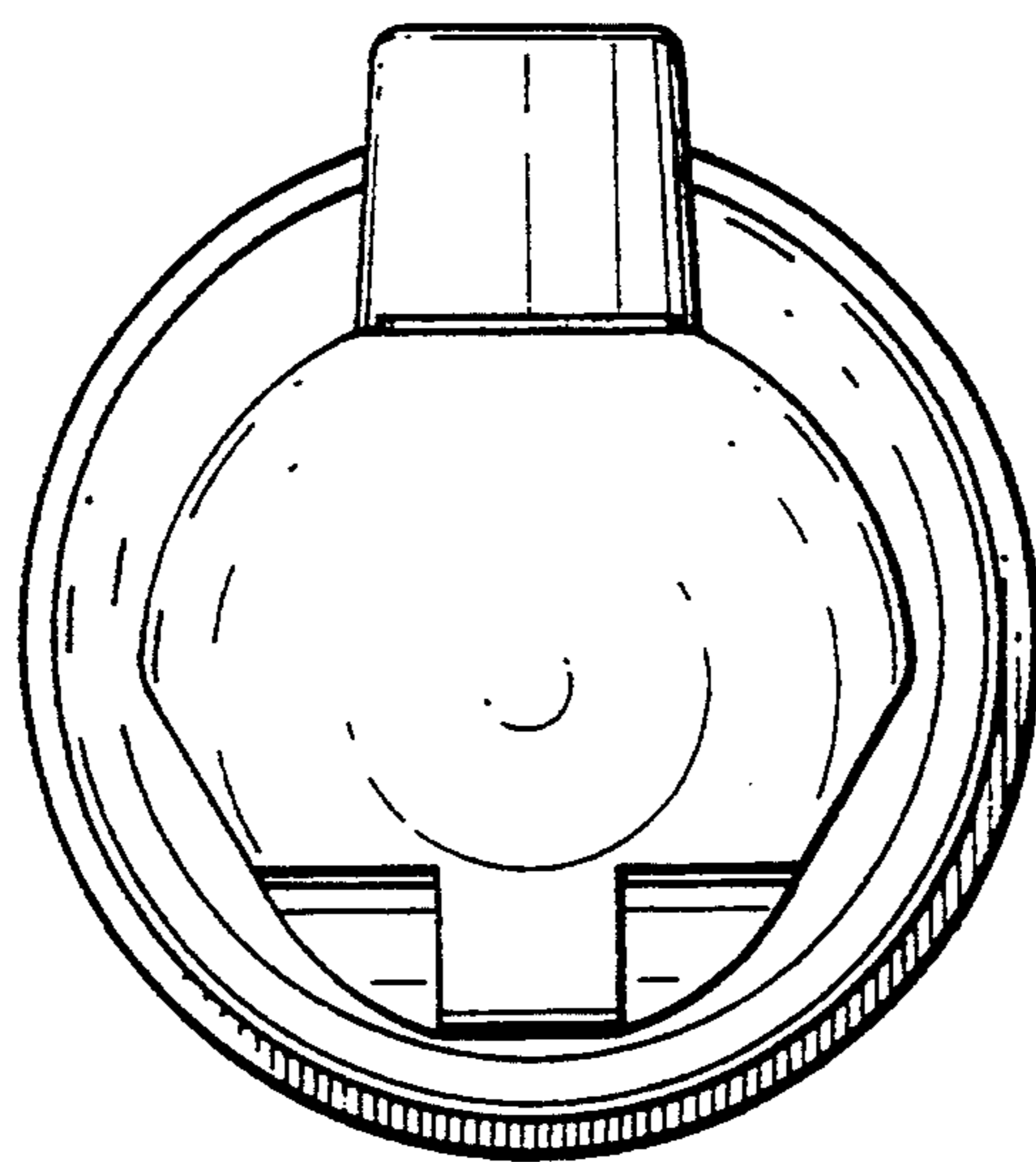
*Fig. 2.*



*Fig. 3.*



*Fig. 4.*



*Fig. 5.*

