



US00D356650S

United States Patent [19]

[11] Patent Number: Des. 356,650

Petterson et al.

[45] Date of Patent: ** Mar. 21, 1995

[54] FLASHLIGHT

[75] Inventors: **Tor H. Petterson**, Rancho Palos Verdes; **Jean T. McGregor**, West Covina, both of Calif.; **Steven A. Johnson**, Hartland, Wis.

[73] Assignee: **Rayovac Corporation**, Madison, Wis.

[**] Term: **14 Years**

[21] Appl. No.: **1,317**

[22] Filed: **Nov. 10, 1992**

[52] U.S. Cl. **D26/48**

[58] Field of Search **D26/37-50;**
362/157, 158, 183, 184, 188-203

[56] **References Cited**

U.S. PATENT DOCUMENTS

- D. 280,936 10/1985 Dismore et al. D26/48
- D. 290,171 6/1987 Lam D26/48
- 3,535,506 10/1970 Moore et al. 362/184

Primary Examiner—Susan J. Lucas

Attorney, Agent, or Firm—Lathrop & Clark; Theodore J. Long; Thomas F. Woods; David R. J. Stienon

[57] **CLAIM**

The ornamental design for a flashlight, as shown and described.

DESCRIPTION

FIG. 1 is a right side perspective view of a flashlight embodying our new design;

FIG. 2 is is a right side elevational view thereof on an enlarged scale;

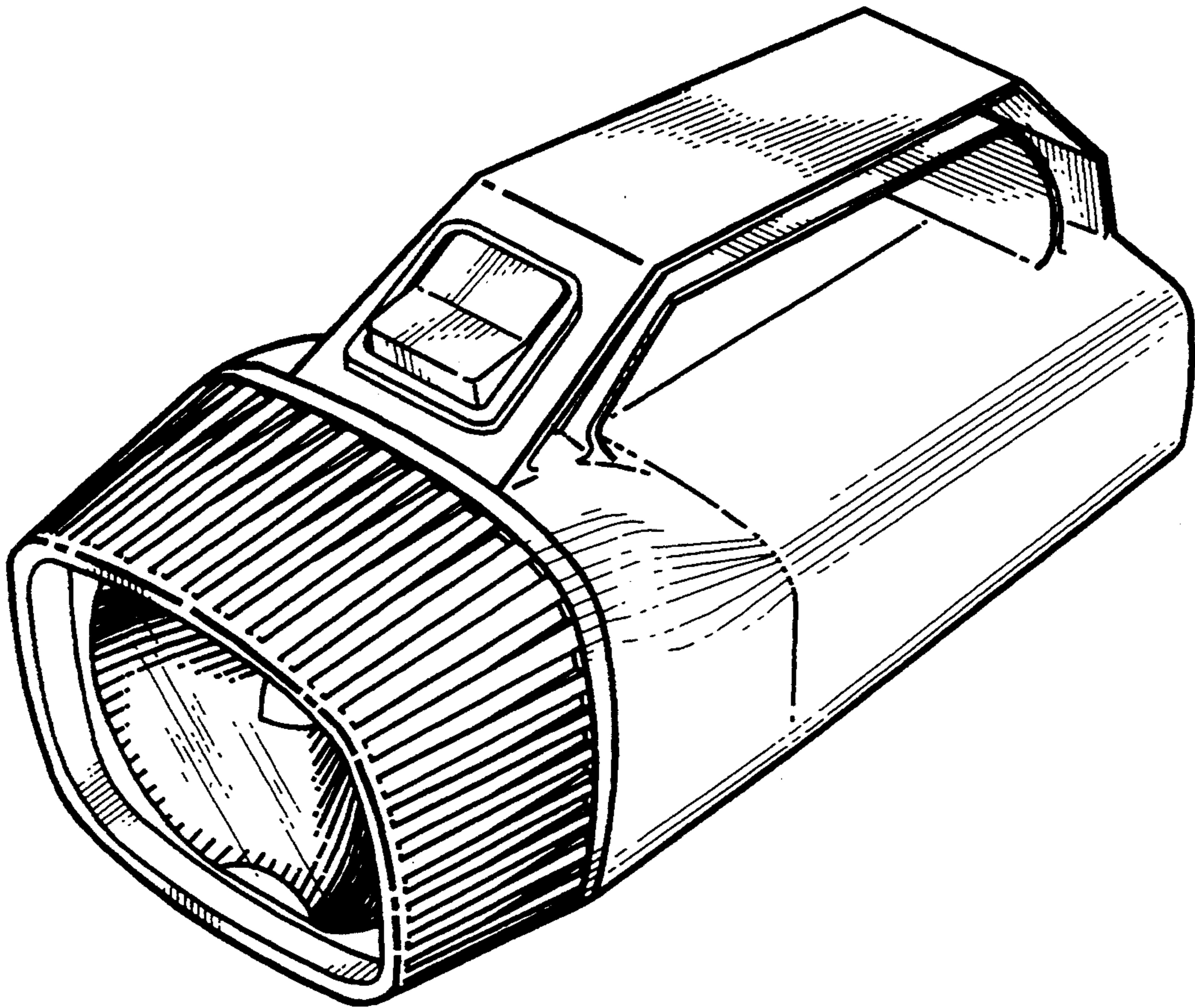
FIG. 3 is a left side elevational view thereof on an enlarged scale;

FIG. 4 is is a rear elevational view thereof on an enlarged scale;

FIG. 5 is is a front elevational view thereof on an enlarged scale;

FIG. 6 is a top plan view thereof on an enlarged scale; and,

FIG. 7 is a bottom plan view thereof on an enlarged scale.



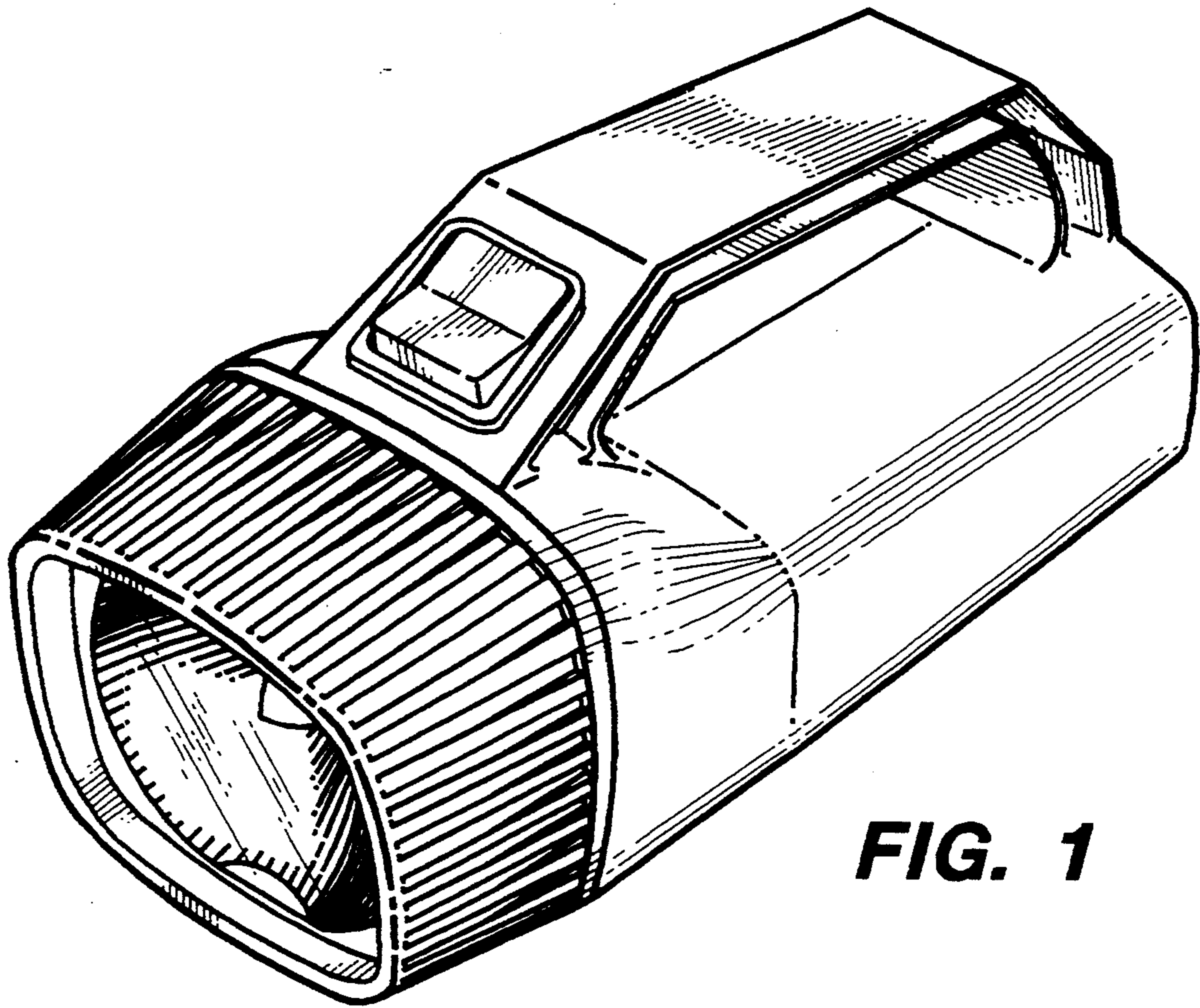


FIG. 1

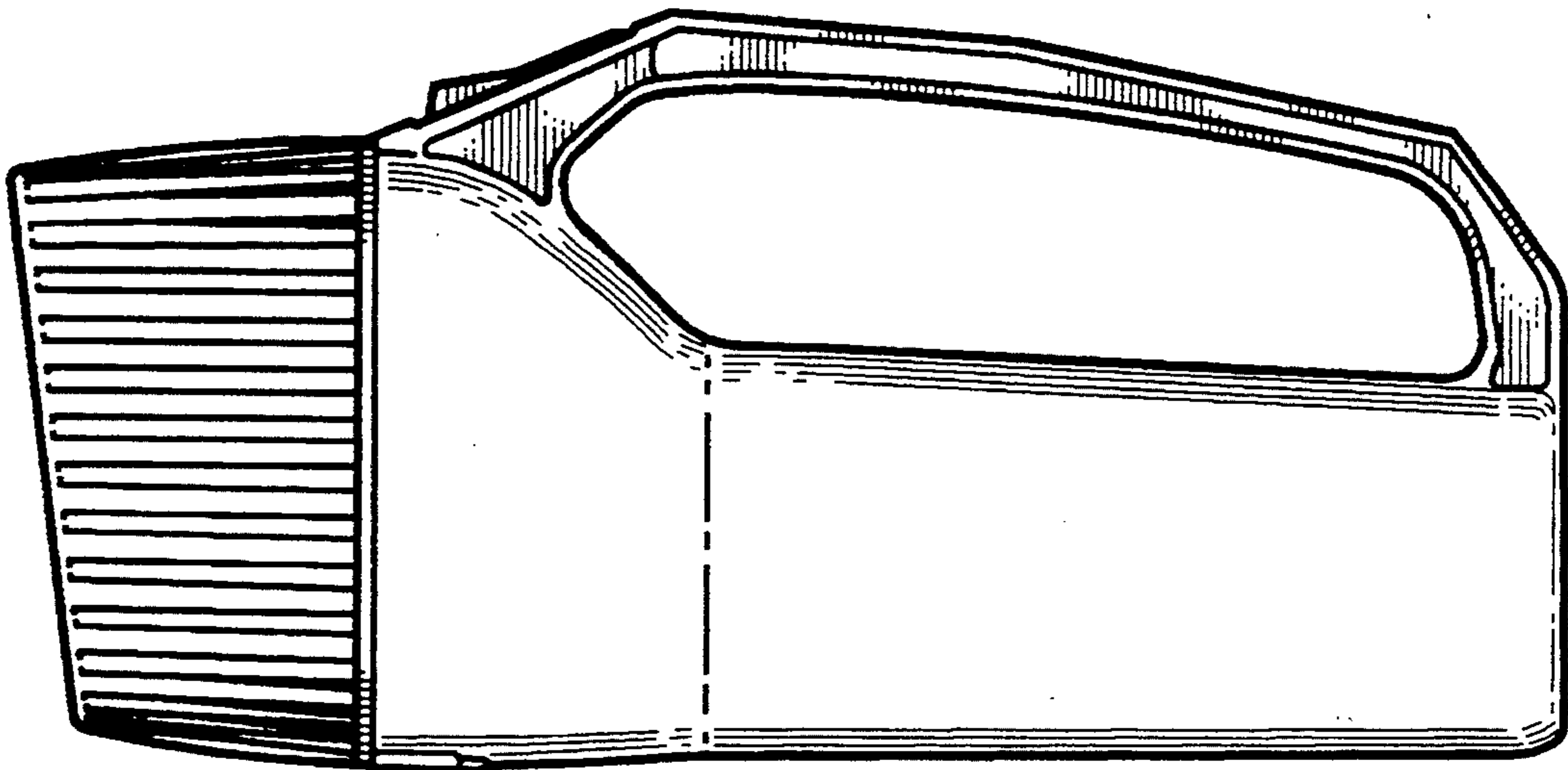


FIG. 2

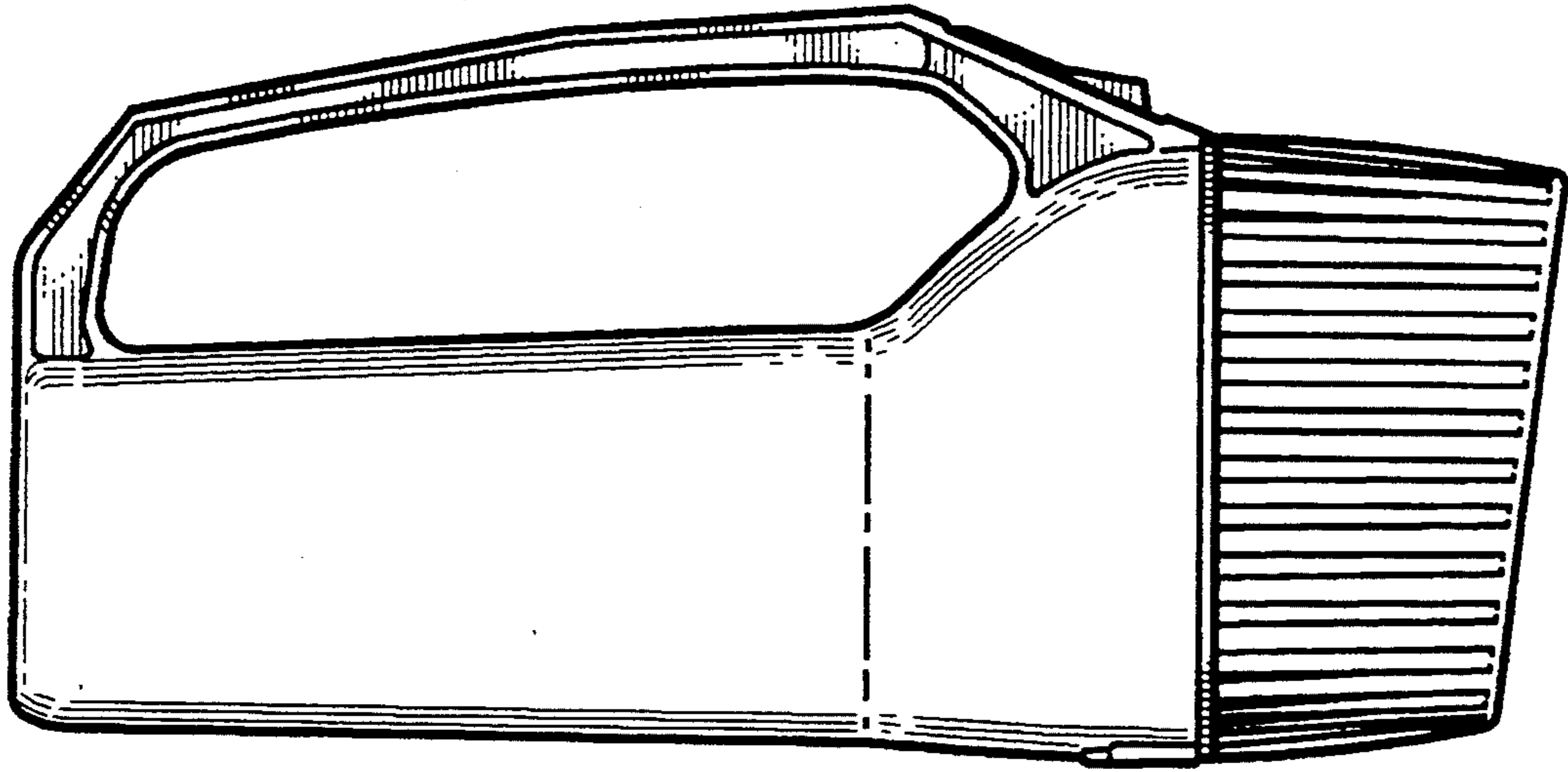


FIG. 3

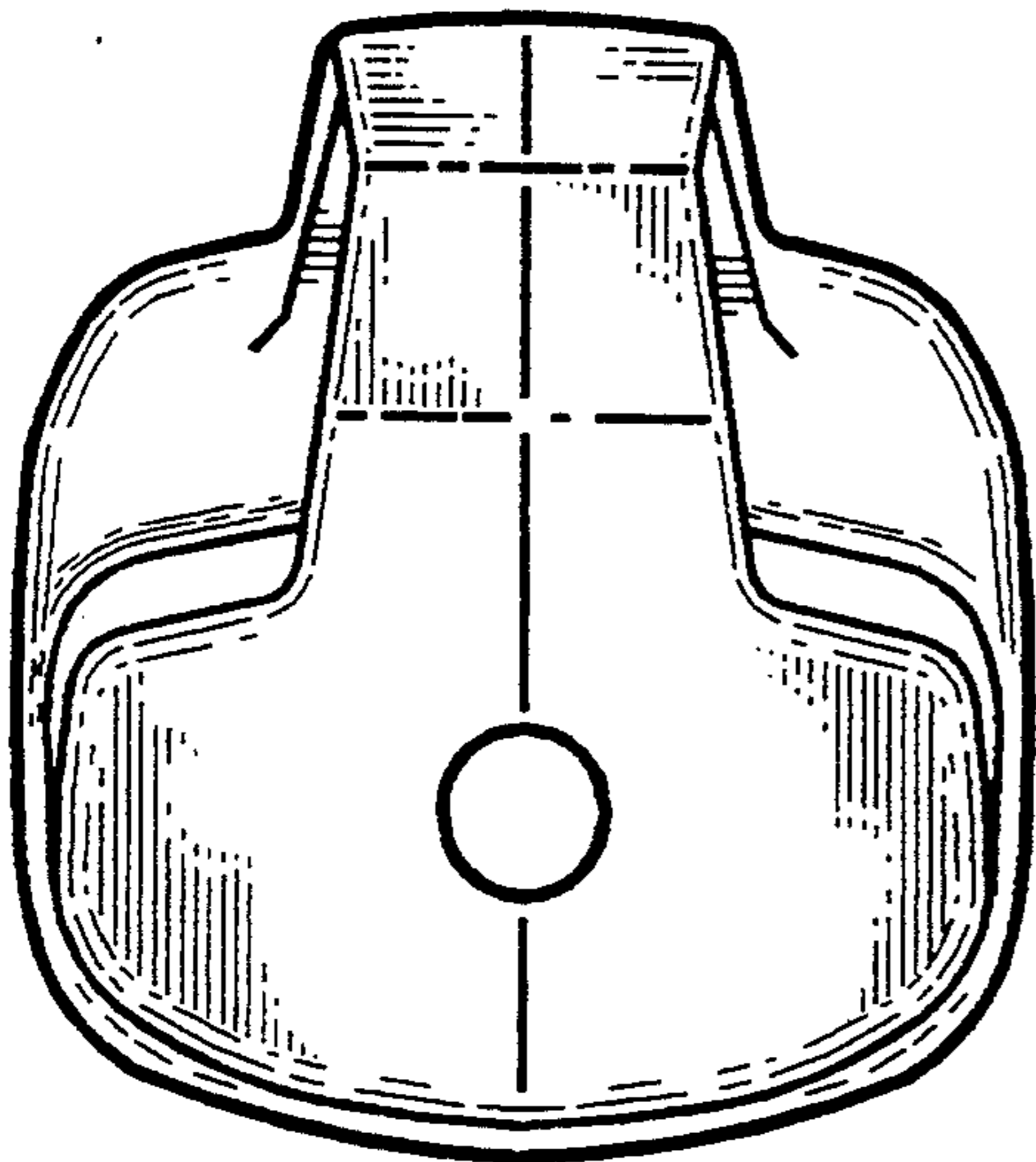


FIG. 4

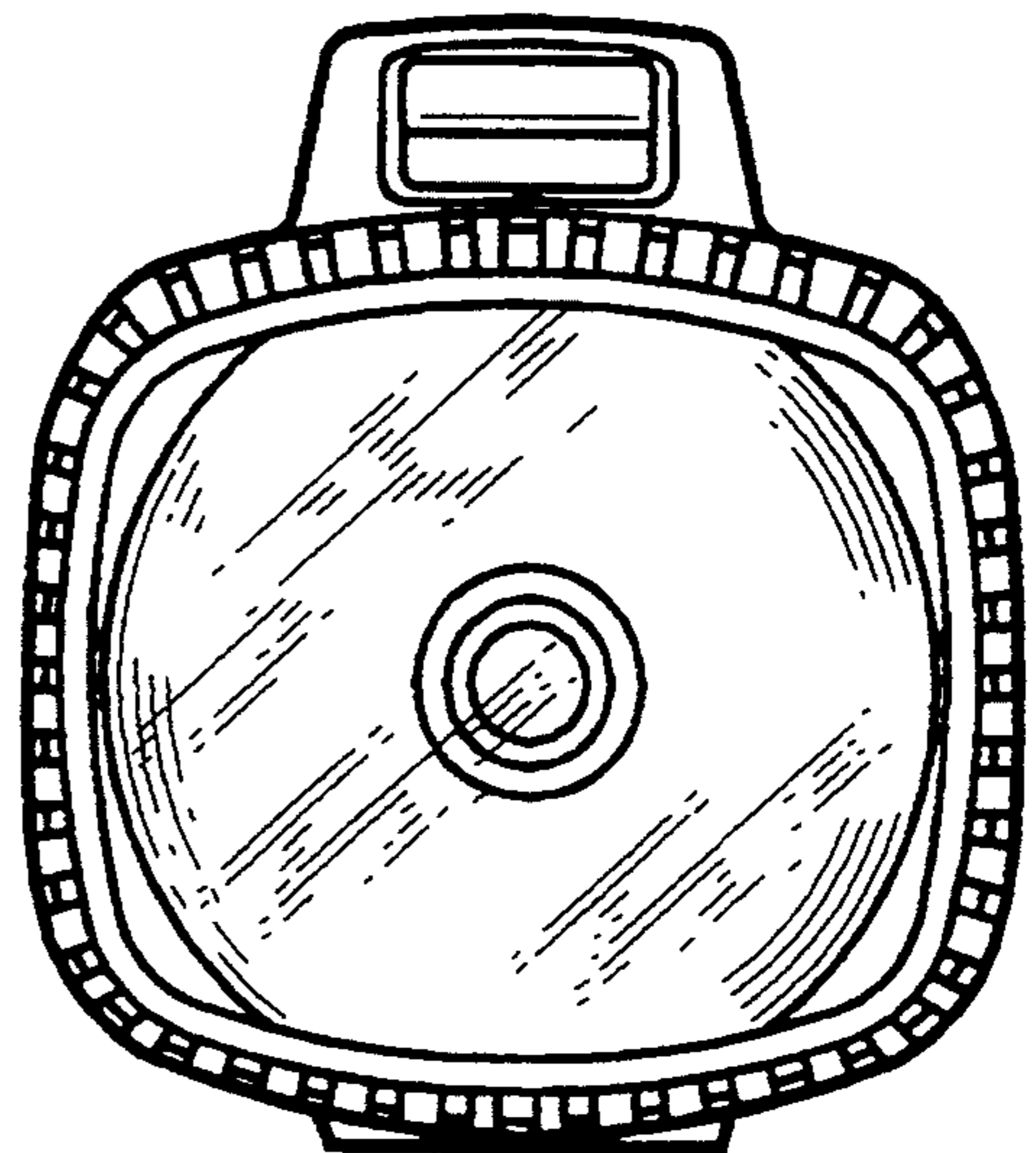


FIG. 5

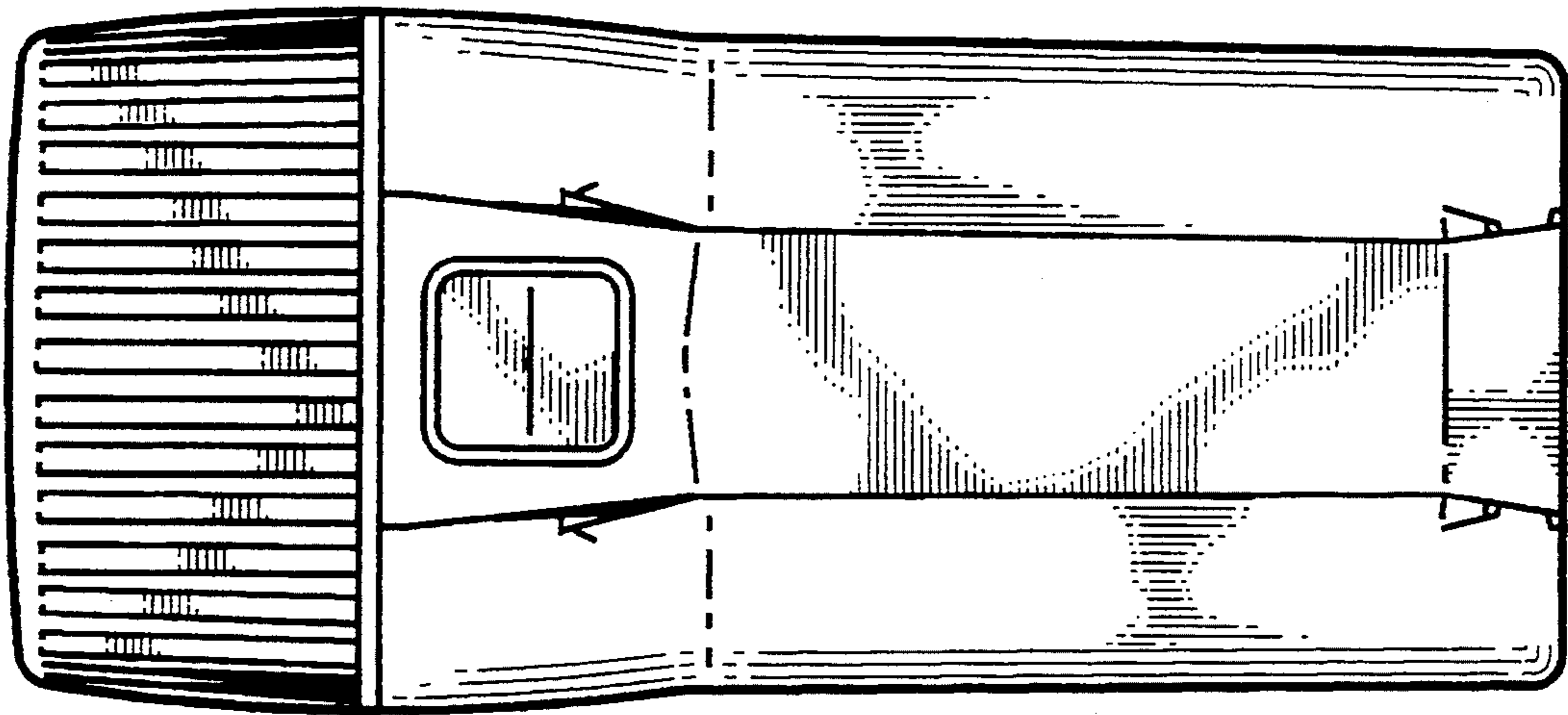


FIG. 6

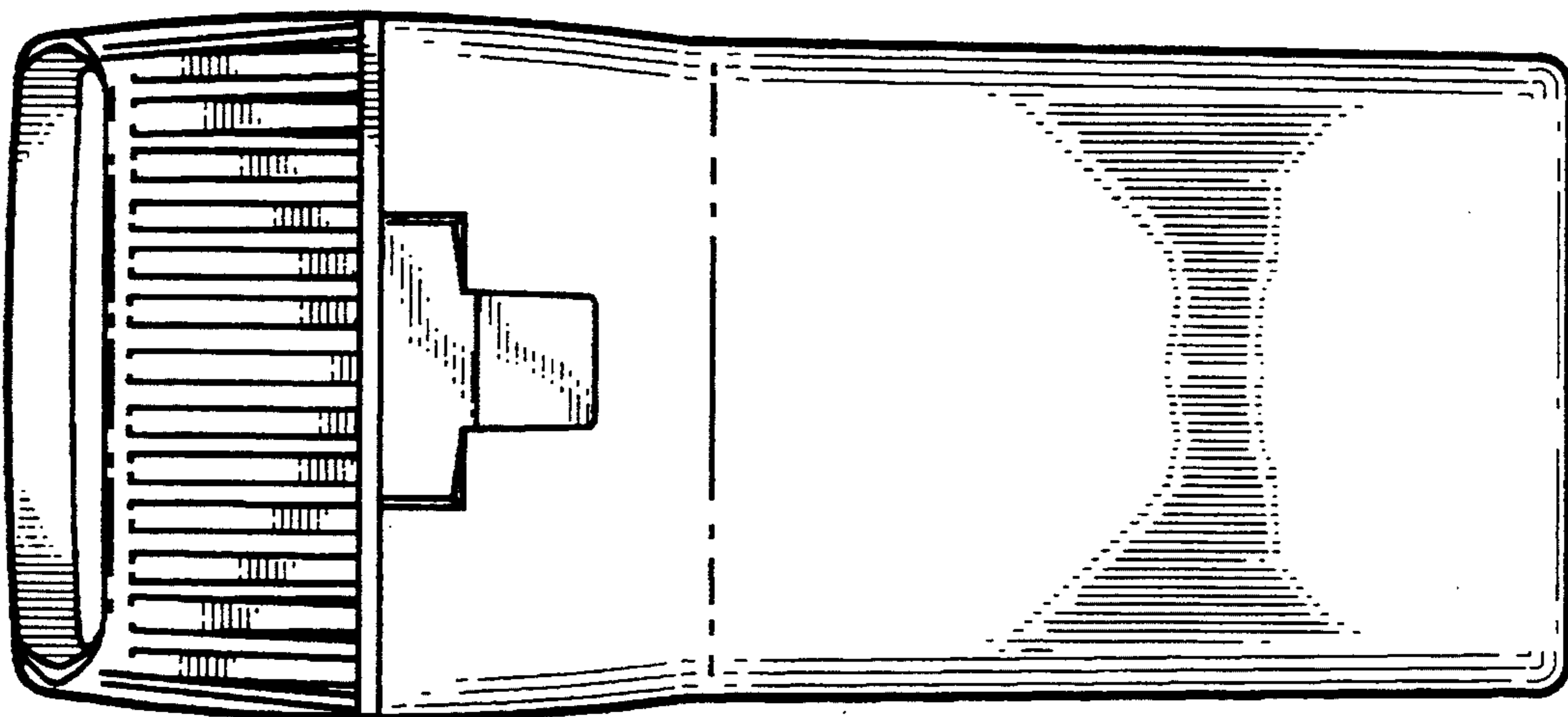


FIG. 7