



US00D356647S

# United States Patent [19]

[11] Patent Number: **Des. 356,647**

**Jung**

[45] Date of Patent: **\*\* Mar. 21, 1995**

[54] **NEON LAMP**

D. 183,068 6/1958 Spaulding ..... D26/24  
D. 311,588 10/1990 Juhnke ..... 362/235

[76] Inventor: **Huang H. Jung**, P. O. Box 82-144,  
Taipei, Taiwan, Prov. of China

*Primary Examiner*—James M. Gandy  
*Assistant Examiner*—Marcus Jackson  
*Attorney, Agent, or Firm*—Alfred Lei

[\*\*] Term: **14 Years**

[21] Appl. No.: **22,910**

[57] **CLAIM**

[22] Filed: **May 16, 1994**

The ornamental design for a neon lamp, as shown and described.

[52] U.S. Cl. .... **D26/24**

[58] Field of Search ..... D26/2, 3, 24, 25, 26,  
D26/71, 72, 80; 362/236, 238, 240, 241, 244,  
246, 249, 432

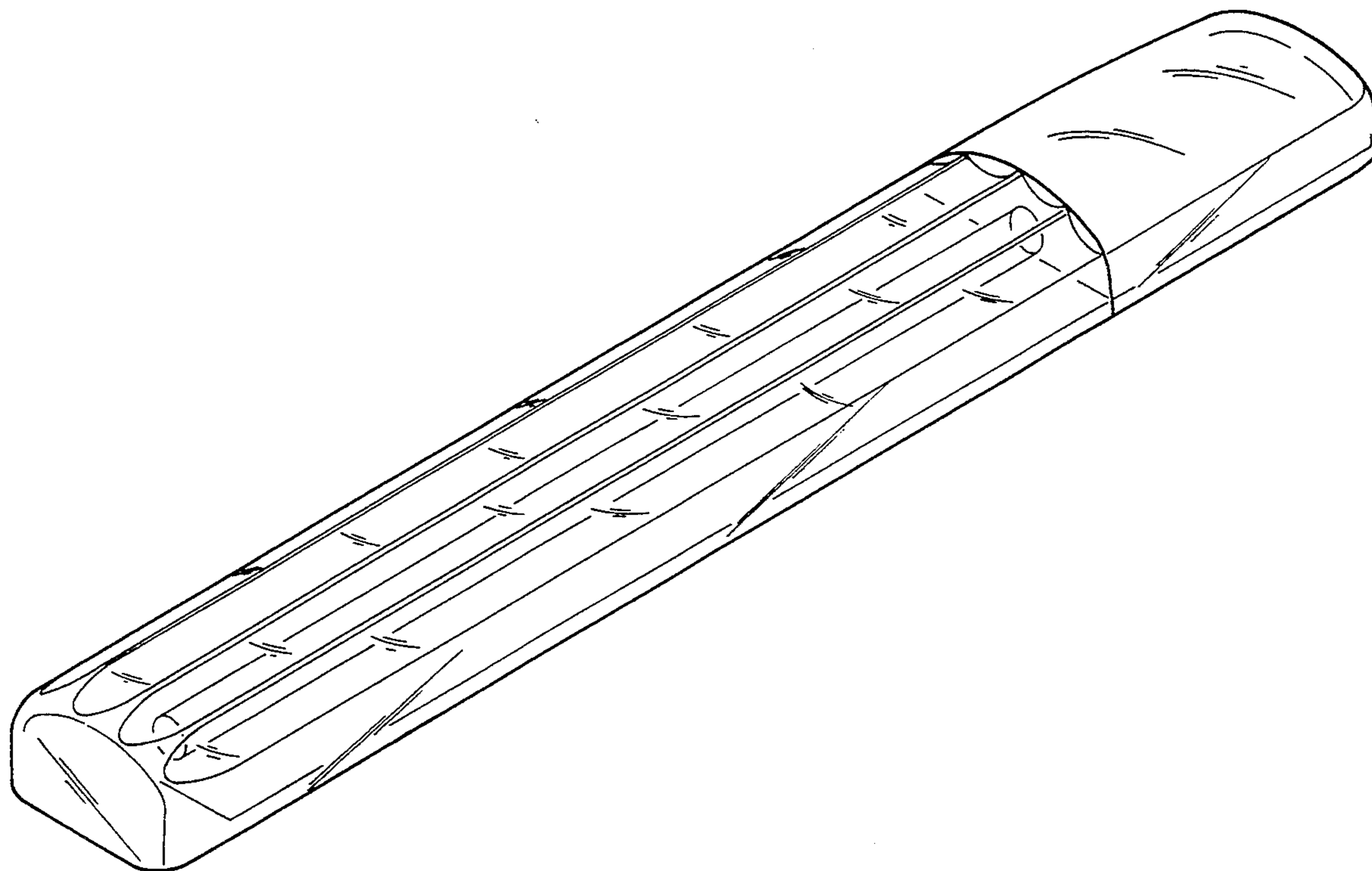
**DESCRIPTION**

[56] **References Cited**

**U.S. PATENT DOCUMENTS**

D. 123,761 12/1940 Pieper ..... D26/24  
D. 123,887 12/1940 Koehler ..... D26/24  
D. 125,468 2/1941 Dreyfuss ..... D26/24  
D. 180,535 6/1957 Brooks ..... D26/24

FIG. 1 is a perspective view of a neon lamp my new design;  
FIG. 2 is a right side elevational view thereof;  
FIG. 3 is a left side elevational view thereof;  
FIG. 4 is a front view thereof;  
FIG. 5 is a rear view thereof;  
FIG. 6 is a top plan view thereof; and,  
FIG. 7 is a bottom plan view thereof.



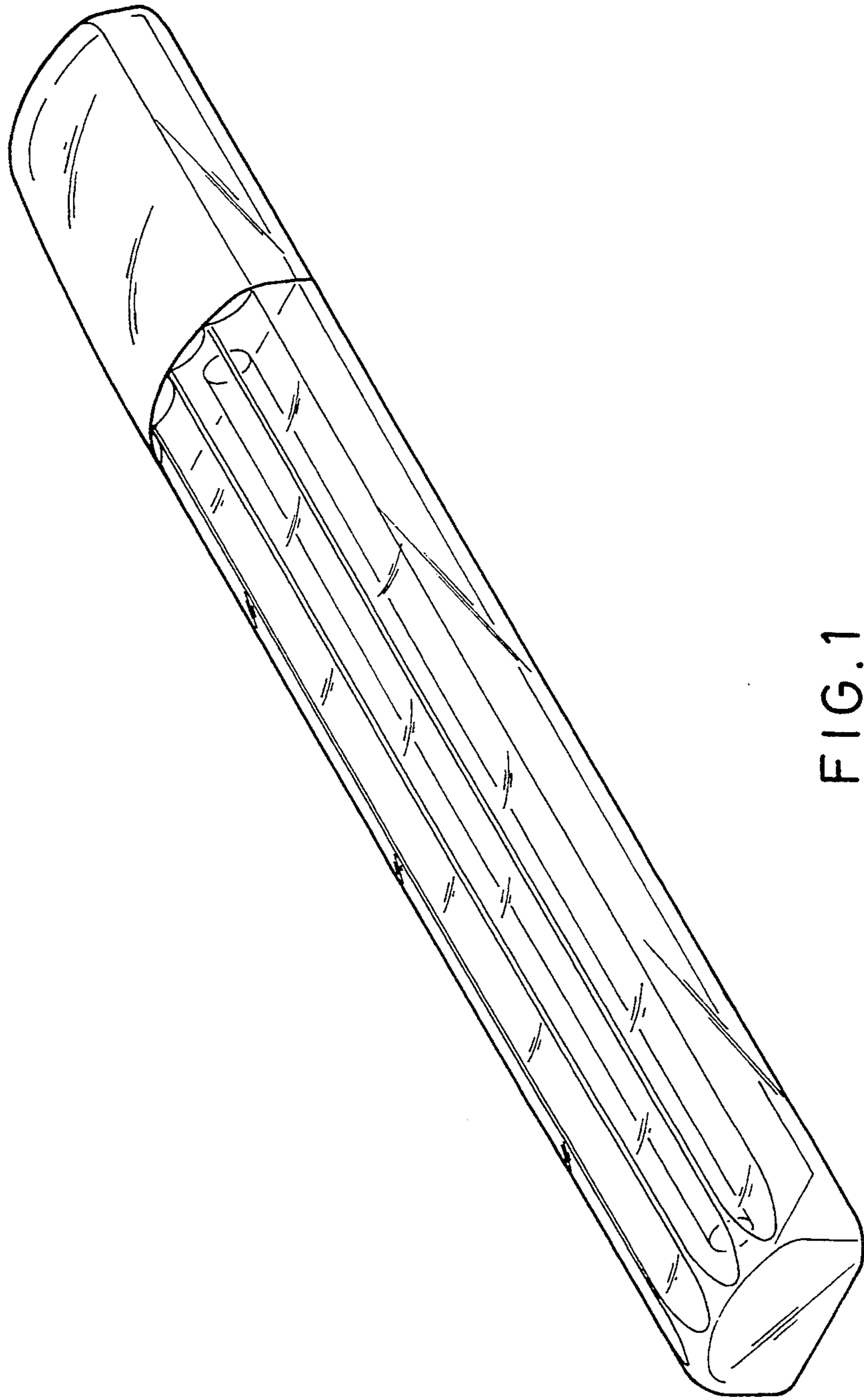


FIG. 1



FIG. 2



FIG. 3



FIG. 5



FIG. 4

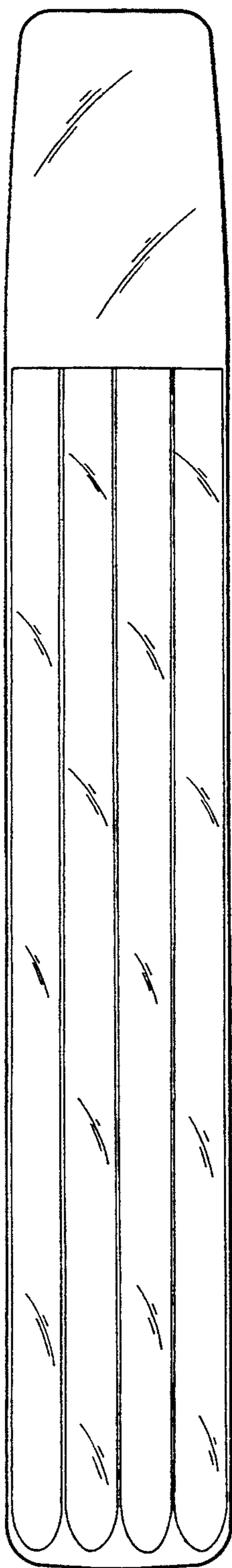


FIG. 6

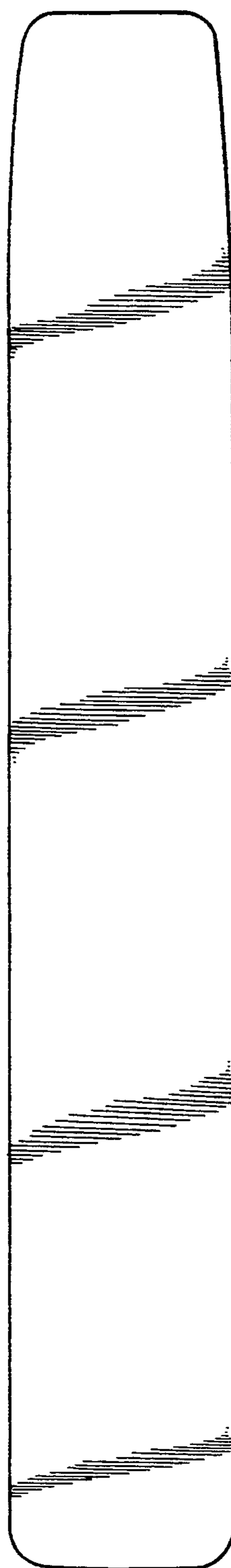


FIG. 7