



US00D356646S

United States Patent [19] Cole

[11] Patent Number: **Des. 356,646**

[45] Date of Patent: **** Mar. 21, 1995**

[54] WINDOW COMPONENT EXTRUSION

[75] Inventor: **Douglas L. Cole**, Seattle, Wash.

[73] Assignee: **Mikron Industries**, Kent, Wash.

[*] Notice: The portion of the term of this patent subsequent to Oct. 18, 2008 has been disclaimed.

[**] Term: **14 Years**

[21] Appl. No.: **10,517**

[22] Filed: **Jul. 8, 1993**

[52] U.S. Cl. **D25/124**

[58] Field of Search **D25/52, 124; 49/DIG. 2, 49/504-505; 52/204.1, 204.5**

[56] **References Cited**

U.S. PATENT DOCUMENTS

D. 327,745 7/1992 Valentin D25/124
4,974,364 12/1990 Dorham, Jr. 49/DIG. 2

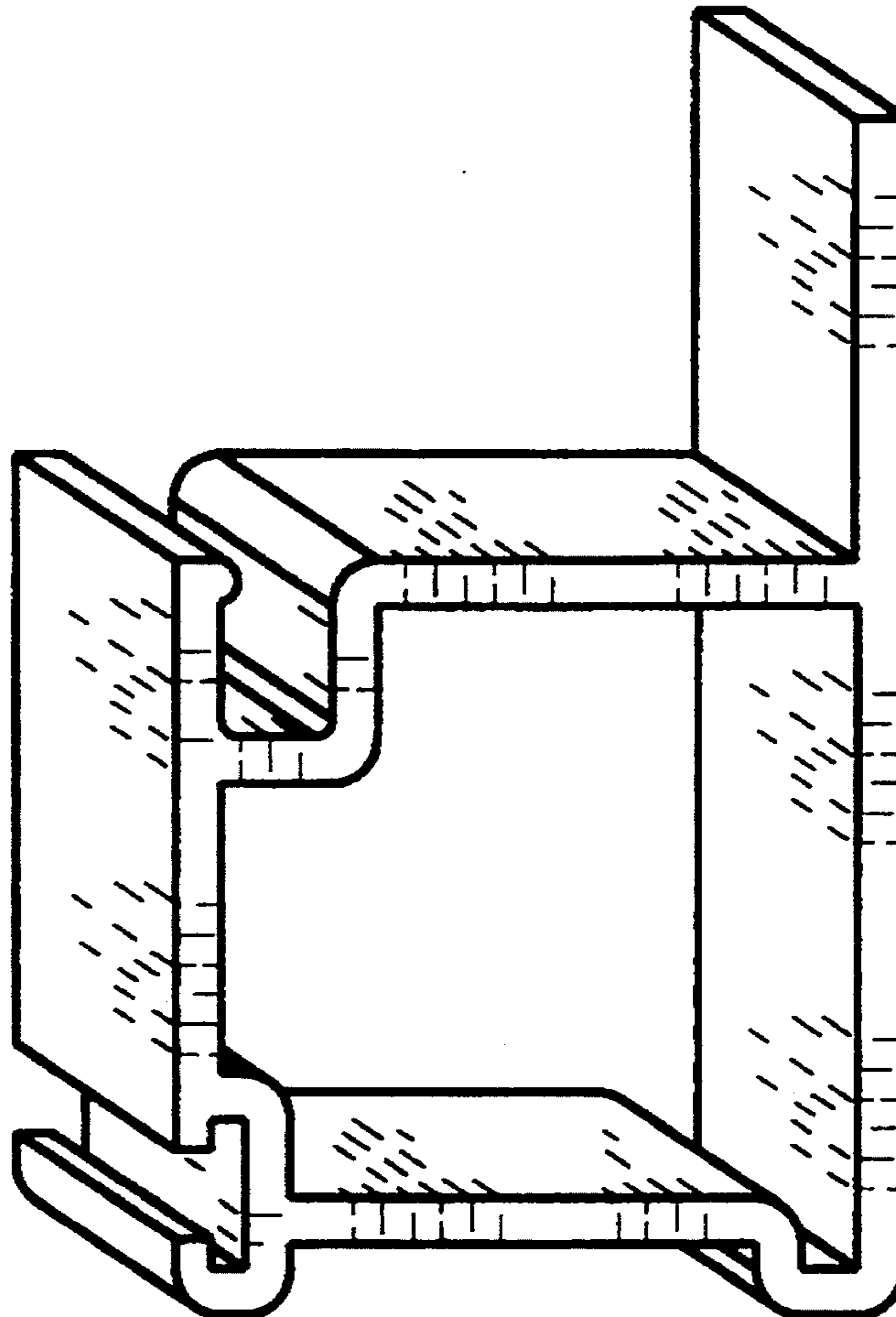
Primary Examiner—Doris Clark
Attorney, Agent, or Firm—Seed and Berry

[57] **CLAIM**

The ornamental design for a window component extrusion, as shown and described.

DESCRIPTION

FIG. 1 is a top right perspective view of a window component extrusion showing my new design, the window component extrusion being of indefinite length; and, FIG. 2 is a bottom left perspective view thereof.



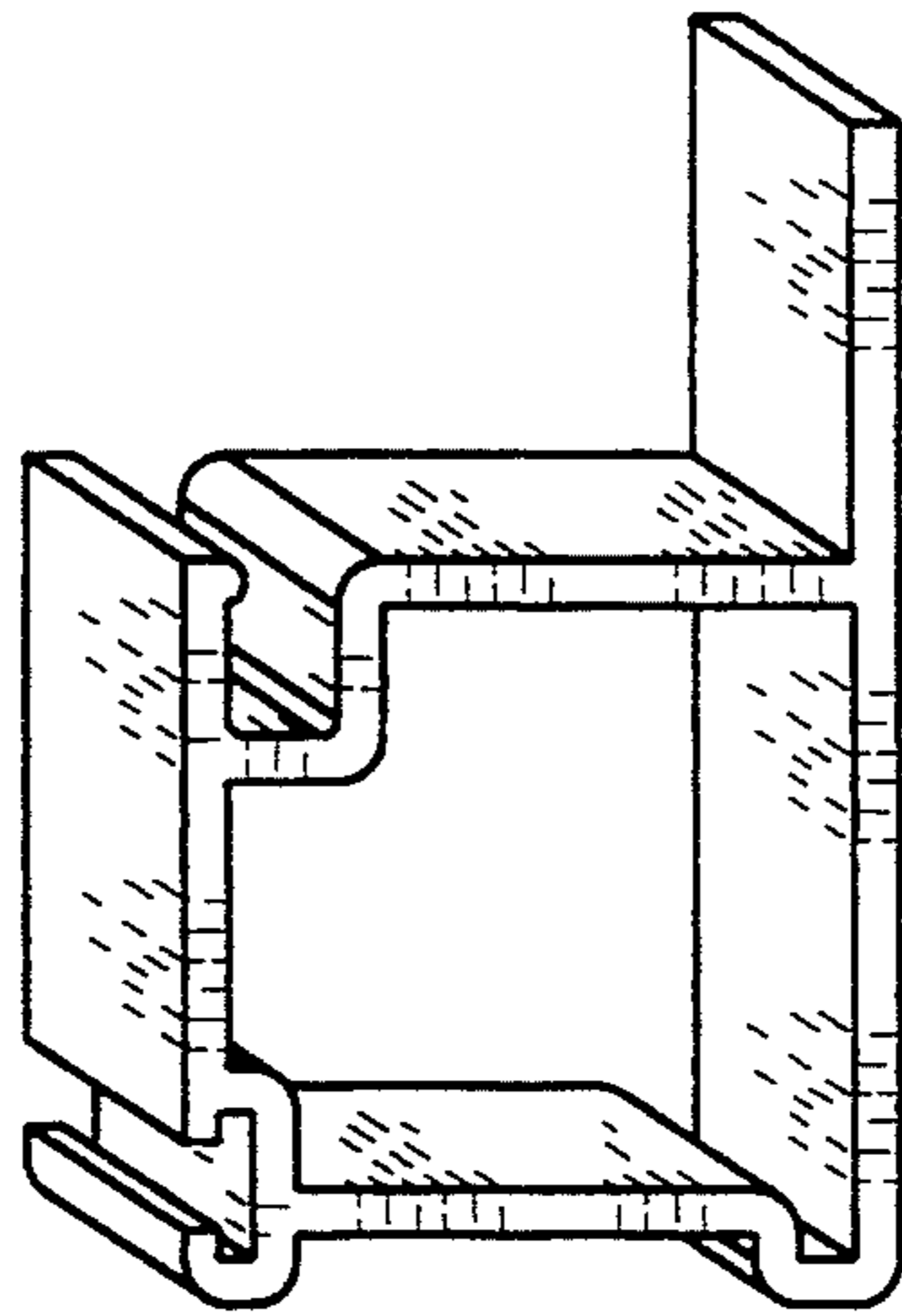


FIG. 1

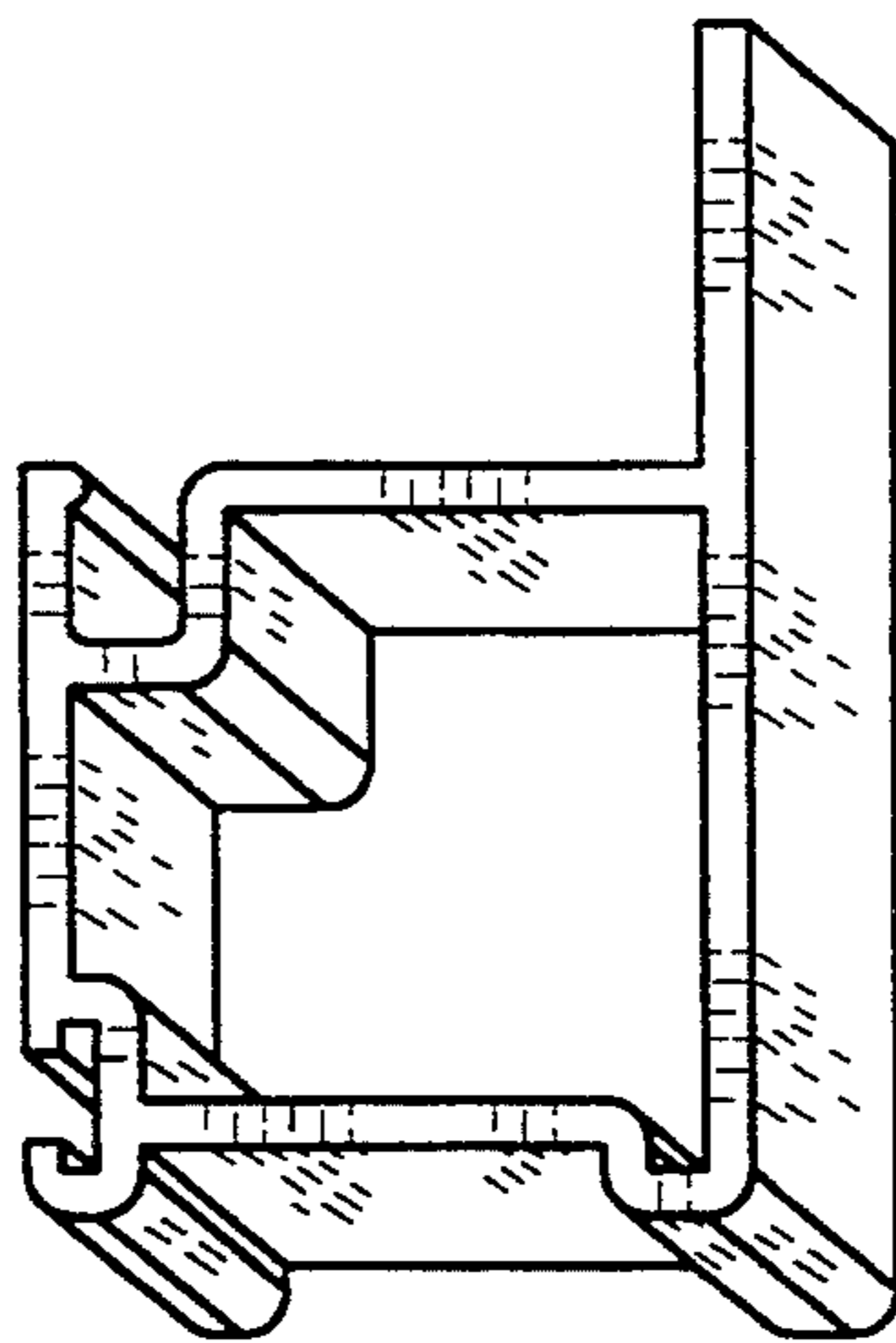


FIG. 2