



US00D356644S

**United States Patent** [19]  
**Henderson**

[11] **Patent Number: Des. 356,644**

[45] **Date of Patent: \*\* Mar. 21, 1995**

[54] **WINDOW COVERING SAFETY NET**  
[76] **Inventor: Michael A. Henderson, 230 W. Marshall Rd., Lansdowne, Pa. 19050**

3,126,052 3/1964 Tomon ..... D25/53  
3,805,916 4/1974 Milam ..... 182/138  
4,838,382 6/1989 Nusbaum ..... 182/138  
4,986,389 1/1991 Halligan, Sr. et al. .... 182/138

[\*\*] **Term: 14 Years**

*Primary Examiner—Doris Clark*  
*Attorney, Agent, or Firm—Terry M. Gernstein*

[21] **Appl. No.: 14,896**

[57] **CLAIM**

[22] **Filed: Nov. 4, 1993**

The ornamental design for a window covering safety net, as shown and described.

[52] **U.S. Cl. .... D25/53**

[58] **Field of Search .... D25/53, 62, 52, 152, D25/157; D5/11; 182/137-139, 112, 113; 52/660, 663, 664; 245/1, 2; 49/26, 15; 256/DIG. 6, 45**

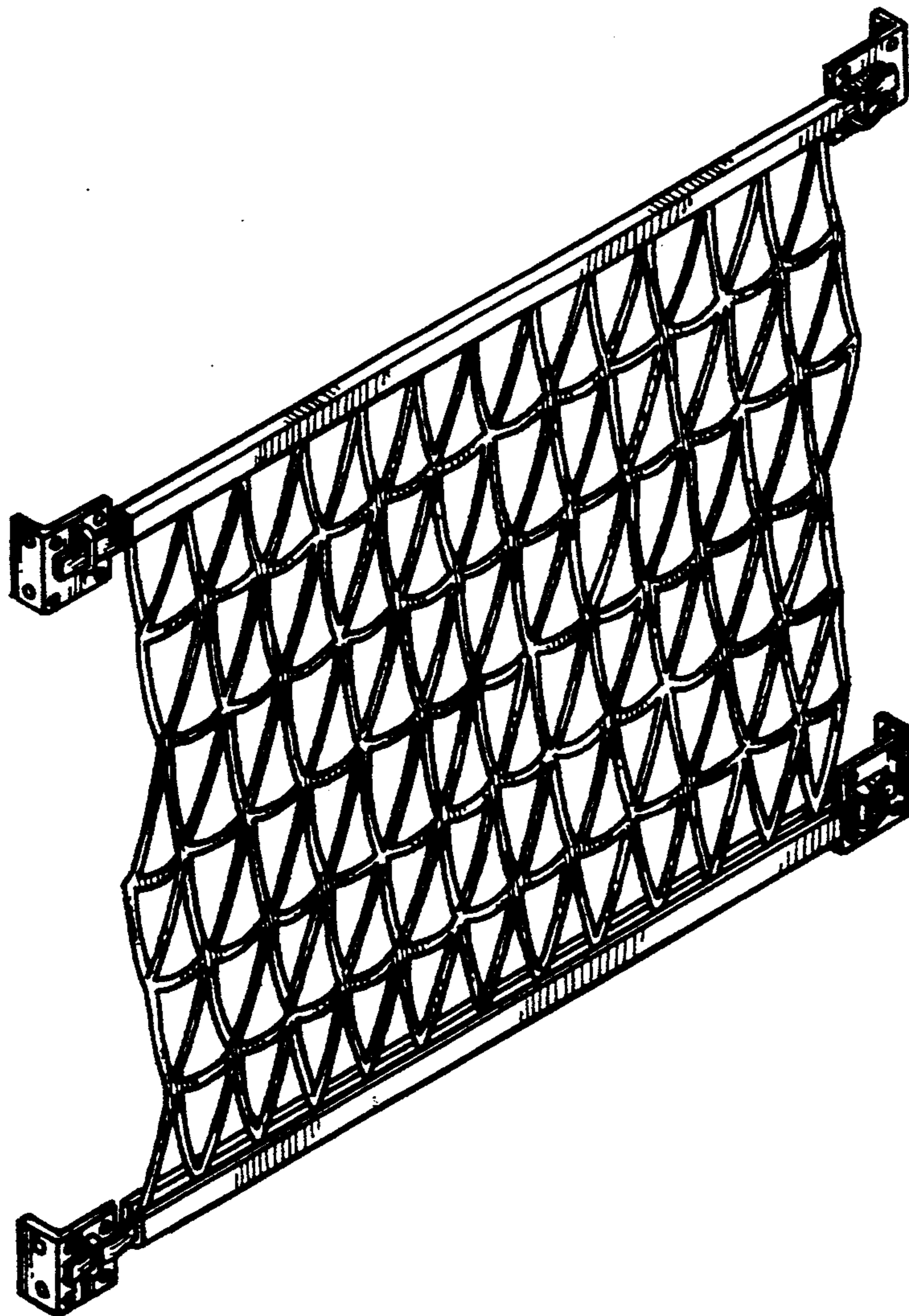
**DESCRIPTION**

FIG. 1 is a front, top and side perspective view of the window covering safety net showing my new design; FIG. 2 is a front elevational view thereof; FIG. 3 is a rear elevational view thereof; FIG. 4 is a side elevational view thereof, the side opposite being a mirror image of the side shown in FIG. 4; FIG. 5 is a top plan view thereof; and, FIG. 6 is a bottom plan view thereof.

[56] **References Cited**

**U.S. PATENT DOCUMENTS**

978,447 12/1910 Glawatzky ..... 182/138  
1,619,518 3/1927 Jonkers ..... 52/660  
2,183,331 12/1939 Farmer ..... 52/664



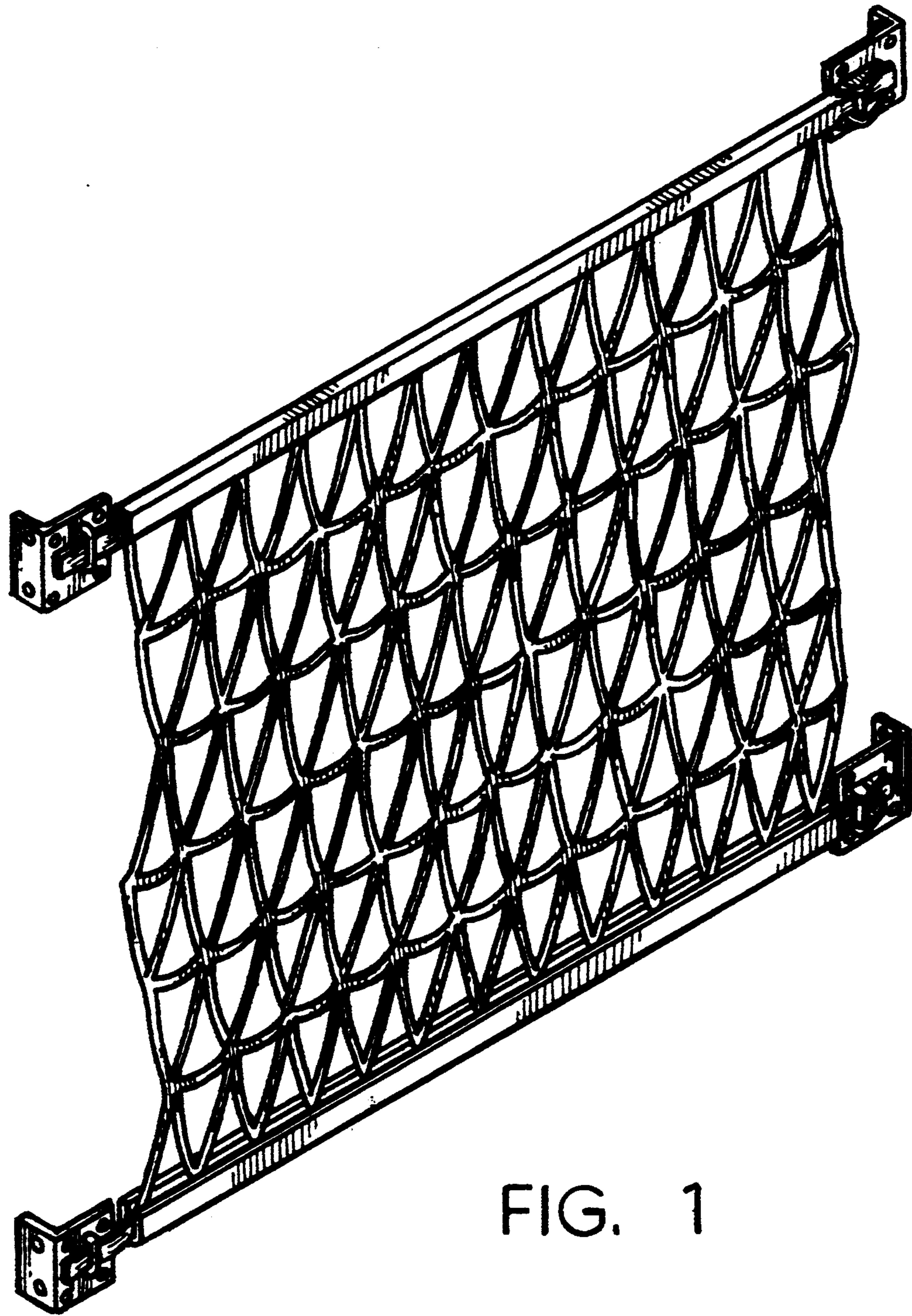


FIG. 1

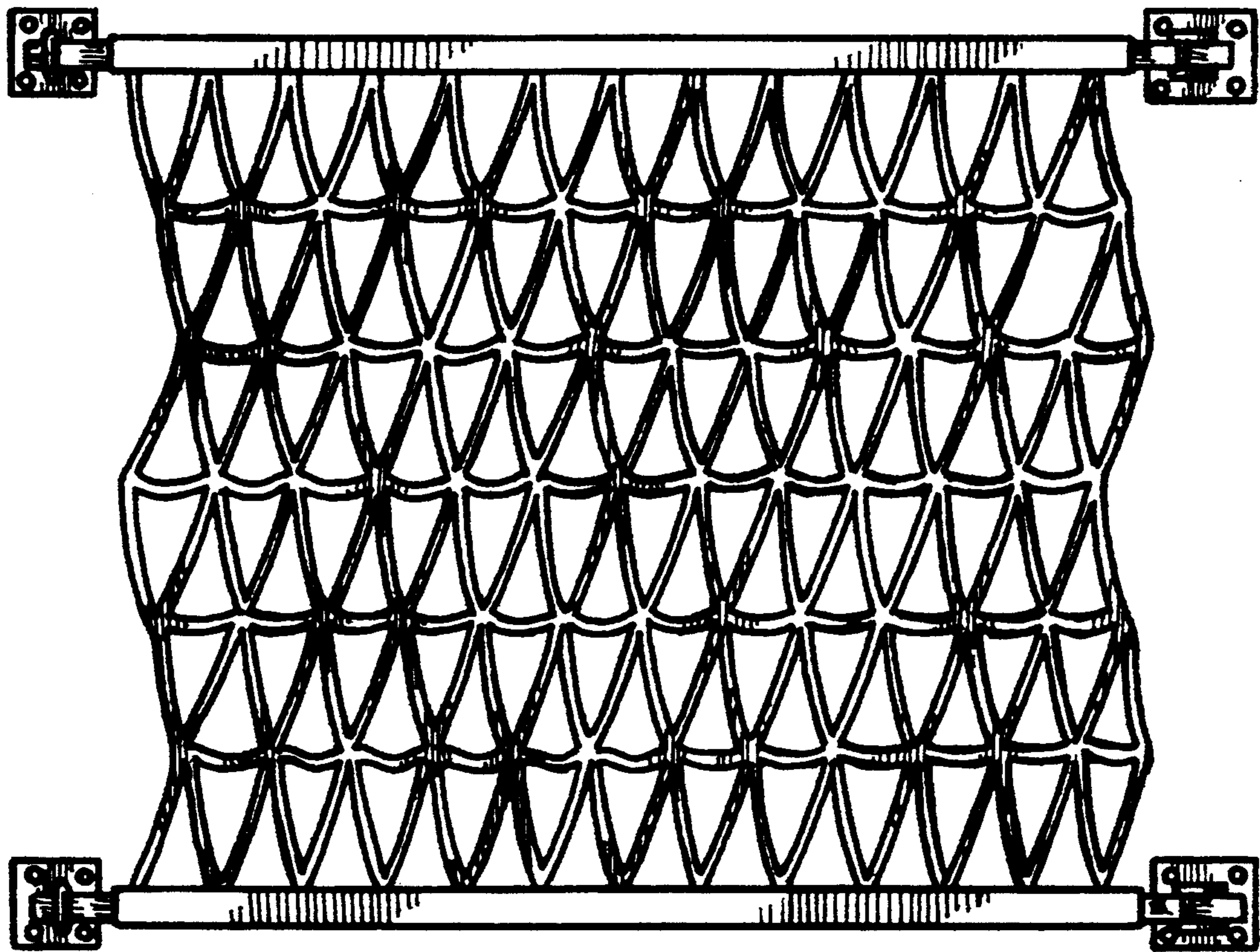


FIG. 2

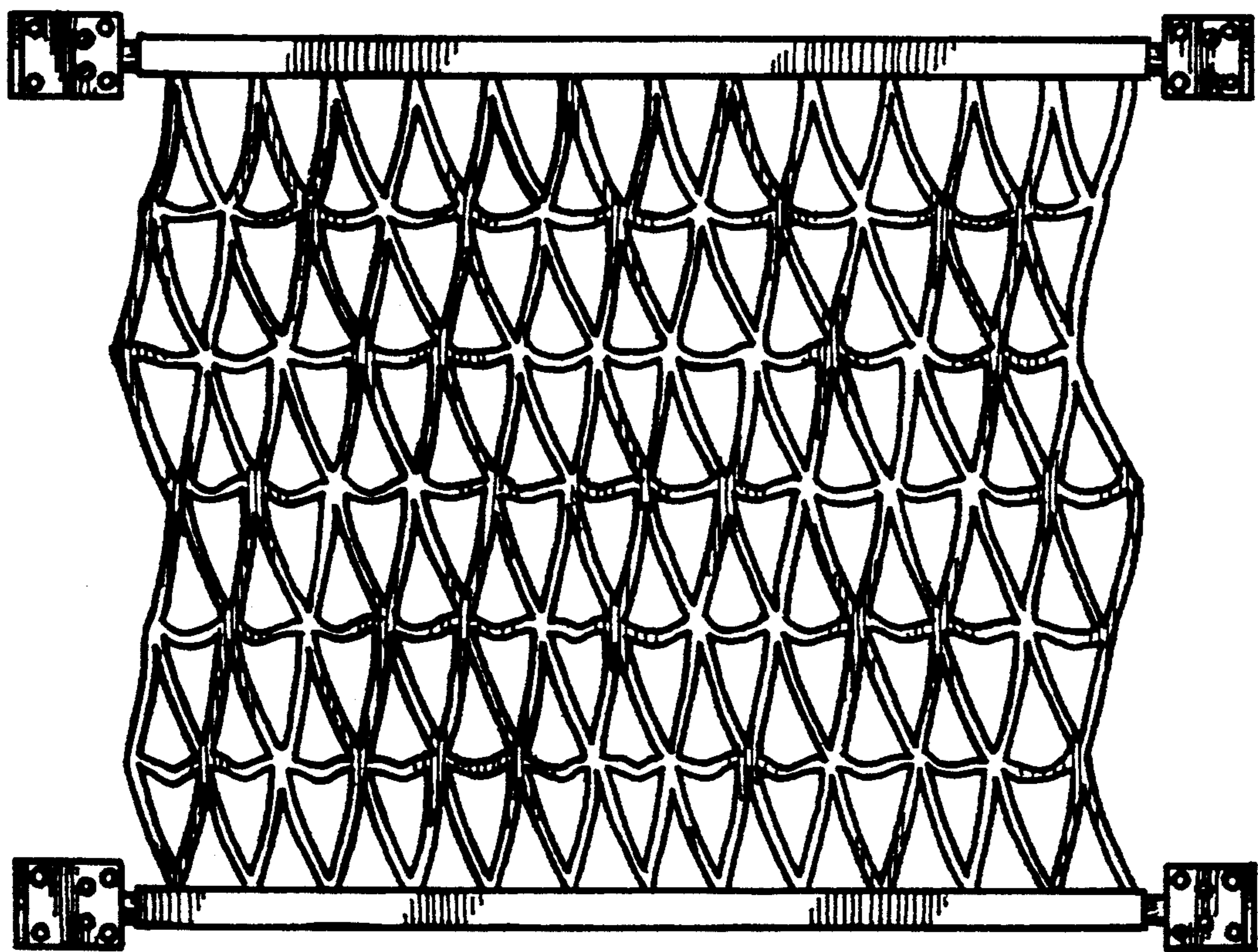


FIG. 3



FIG. 4



FIG. 5



FIG. 6