



US00D356641S

United States Patent [19]

[11] Patent Number: **Des. 356,641**

Stewart et al.

[45] Date of Patent: **** Mar. 21, 1995**

[54] **PIVOTING SUPPORT MOUNT FOR CONNECTING A DENTAL CHAIR TO DENTAL EQUIPMENT**

[75] Inventors: **William R. Stewart, Tigard; J. Rick Halbirt, Hubbard; Carl G. Nordstrom, Lake Oswego, all of Oreg.**

[73] Assignee: **A-Dec, Inc., Newberg, Oreg.**

[**] Term: **14 Years**

[21] Appl. No.: **3,489**

[22] Filed: **Jan. 8, 1993**

[52] U.S. Cl. **D24/176; D8/349; D24/178**

[58] Field of Search **D24/176-178; 433/49-50, 52-53, 77, 79; D8/354, 373-374, 380; 248/218.4, 220.2, 317, 300**

[56] **References Cited**

U.S. PATENT DOCUMENTS

D. 197,406	1/1964	Haas	D24/177
D. 225,855	1/1973	Krantz	D24/177
D. 233,990	12/1974	Booth	D24/177
D. 246,534	11/1977	Buckley	D24/177
D. 258,007	1/1981	Schmidt .	
D. 285,647	9/1986	Sachs	D8/354 X
D. 312,205	11/1990	de Rooij	D8/373
D. 325,866	5/1992	Gary	D8/354
3,650,003	3/1972	Behne et al. .	
3,653,125	4/1972	Heubeck .	
3,718,974	3/1973	Buchtel et al. .	
3,771,226	11/1973	Lieb et al. .	
3,813,147	5/1974	Rick .	
4,332,557	6/1982	Watanabe .	
4,878,709	11/1989	Okamoto .	
4,883,316	11/1989	Austin, Jr. et al. .	
5,176,423	1/1993	Austin, Jr. et al. .	

OTHER PUBLICATIONS

1991 A-Dec Equipment 177-page catalog, cover and pp. 31-54, circa Jan., 1991.
A-Dec "Preference" six-page brochure, Sep. 1982.
A-Dec "Century" one-page advertisement, circa 1977.
Robin Dental Company 40-pg. catalog, cover and pp. 7-11, Feb. 1985.

ETI 3-page brochure circa Jan. 1991.
Marus Dental Equipment 15-page catalog, cover and pp. 4-11, spring 1982.
Robin Dental Company catalog, cover and 1 page, circa Nov. 1980.
Robin Dental Company equipment catalog, cover and 1 page, circa Sep. 1981.
Parkell one-page indexed price list, Feb. 1972.
Weber Dental Criterion-300, cover page only, Apr. 16, 1973.
Parkell Trac 3 Operator's Manual, 2 pages, circa 1979.
A-Dec "Continental System" two-page brochure circa Jan. 1991.
A-Dec "Decade 1015 Chair" eight-page brochure, pp. 1-4, 1990.
Osada "FX Series" 31-page Japanese language brochure, cover and pp. 4, 8, 13, 15, 19 and 21, circa Jan. 1991.
A-Dec two-page compilation of holder devices: 1969, 1974, 1976, 1980, 1987, 1991, circa Jan. 1991.
A-Dec "J-Dec" two-page Japanese language equipment brochure, circa Jan. 1991.

Primary Examiner—James M. Gandy
Assistant Examiner—M. H. Tung
Attorney, Agent, or Firm—Klarquist Sparkman
Campbell Leigh & Whinston

[57] **CLAIM**

The ornamental design for a pivoting support mount for connecting a dental chair to dental equipment, as shown and described.

DESCRIPTION

FIG. 1 is a perspective view of a pivoting support mount for connecting a dental chair to dental equipment showing our new design;
FIG. 2 is a front elevational view of the pivoting support mount for connecting a dental chair to dental equipment of FIG. 1;
FIG. 3 is a rear elevational view of the pivoting support mount for connecting a dental chair to dental equipment of FIG. 1;
FIG. 4 is a top plan view of the pivoting support mount for connecting a dental chair to dental equipment of FIG. 1;

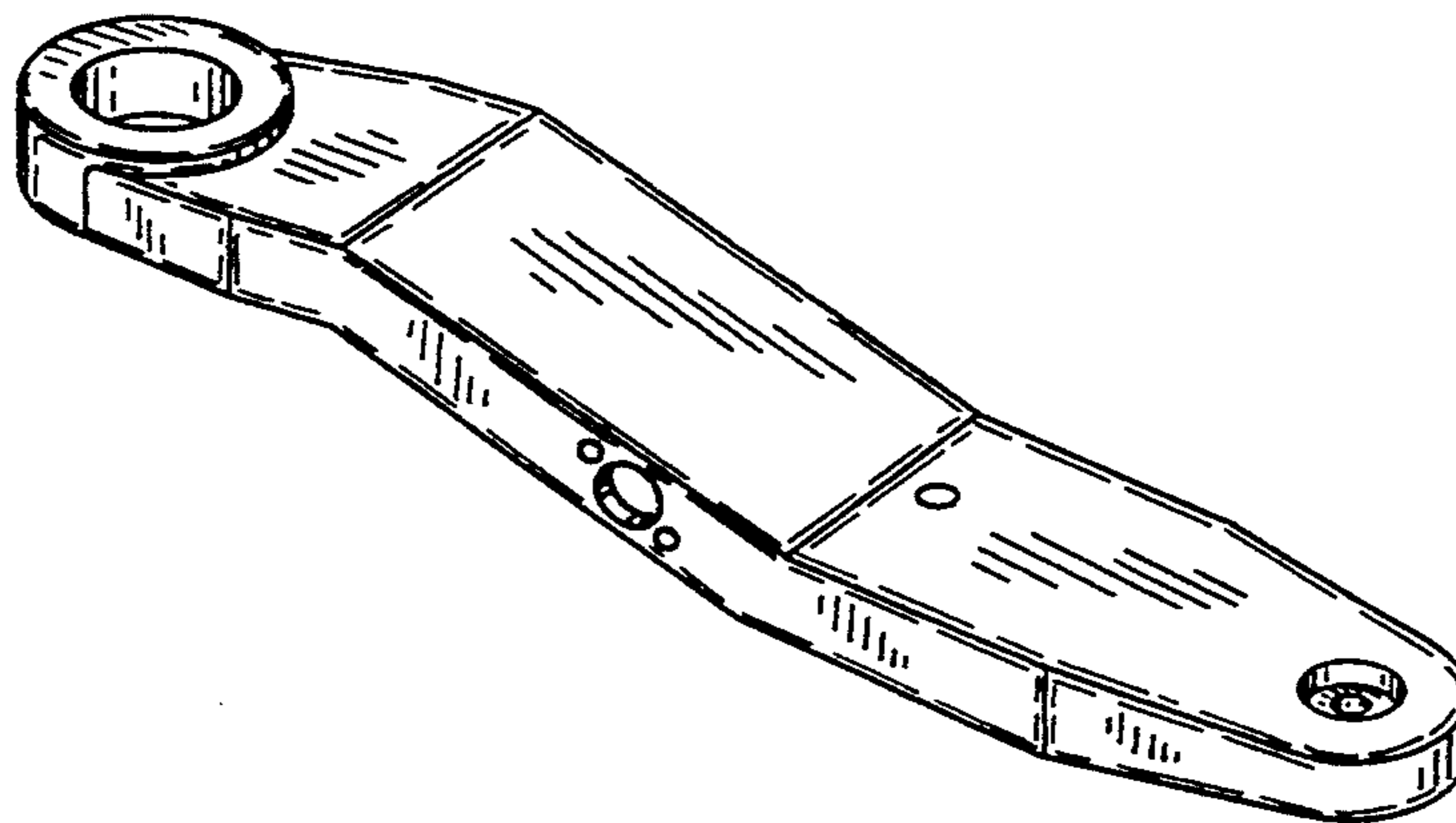


FIG. 5 is a left-side elevational view of the pivoting support mount for connecting a dental chair to dental equipment of FIG. 1, the right-side elevational view being the mirror image thereof;
FIG. 6 is a bottom plan view of the pivoting support

mount for connecting a dental chair to dental equipment of FIG. 1;
FIG. 7 is a cross-sectional view taken along line 7—7 of FIG. 4; and,
FIG. 8 is a cross-sectional view taken along line 8—8 of FIG. 7.

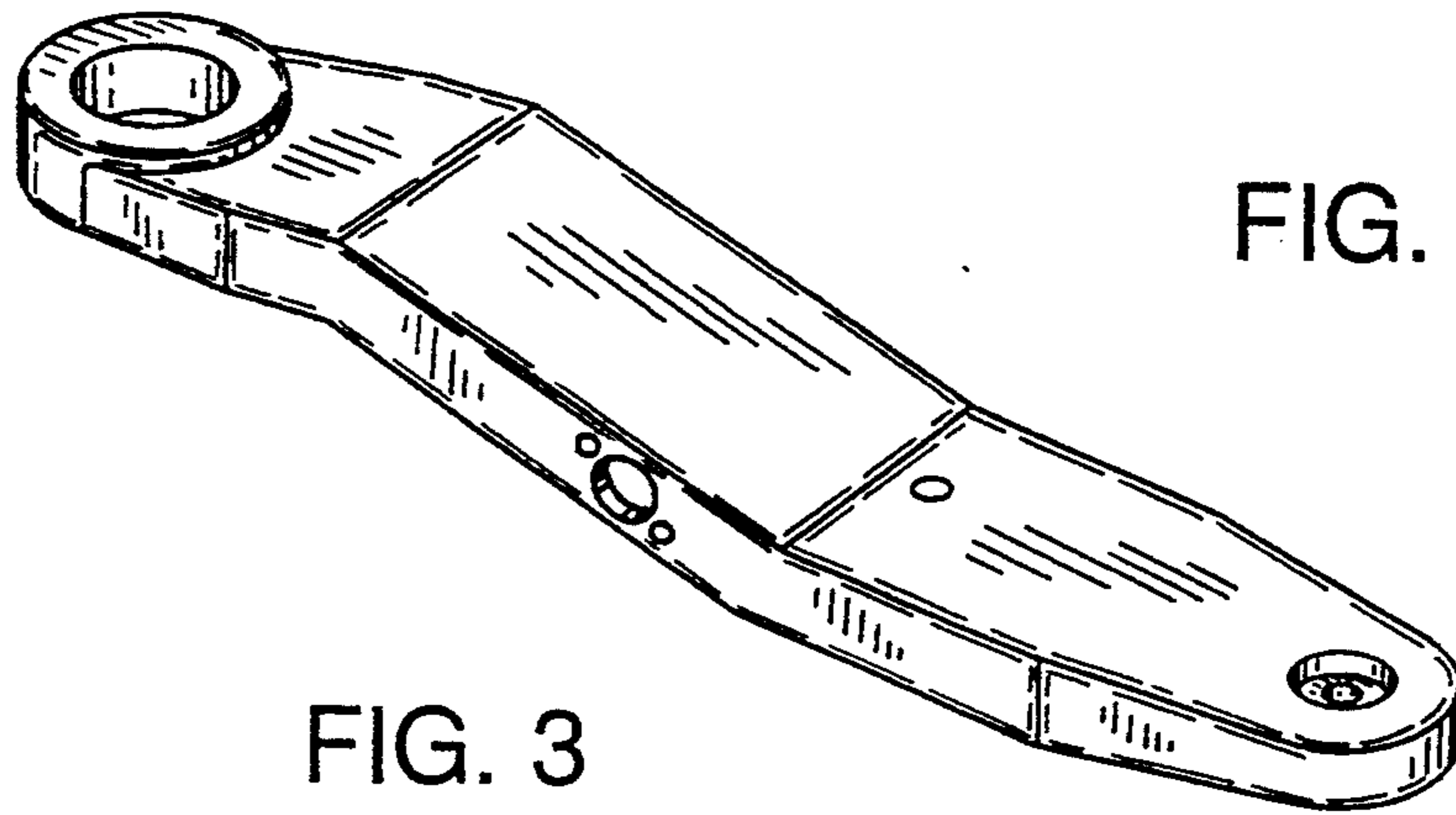


FIG. 2

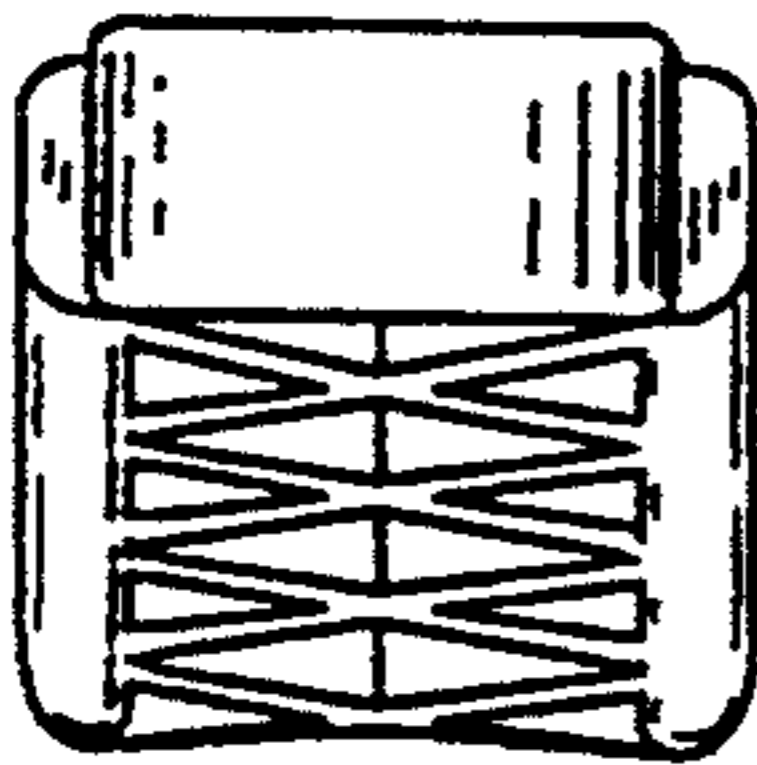


FIG. 3

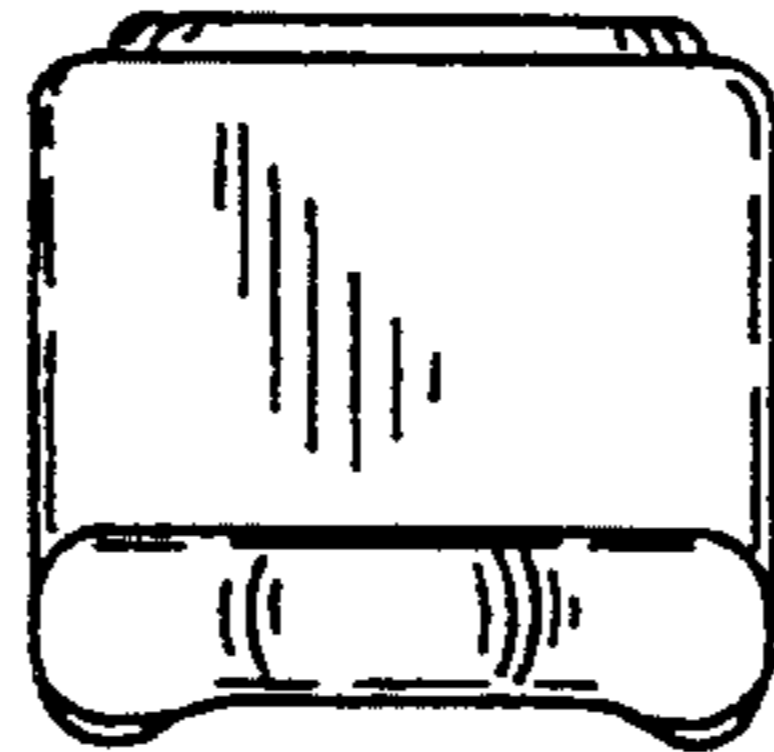


FIG. 4

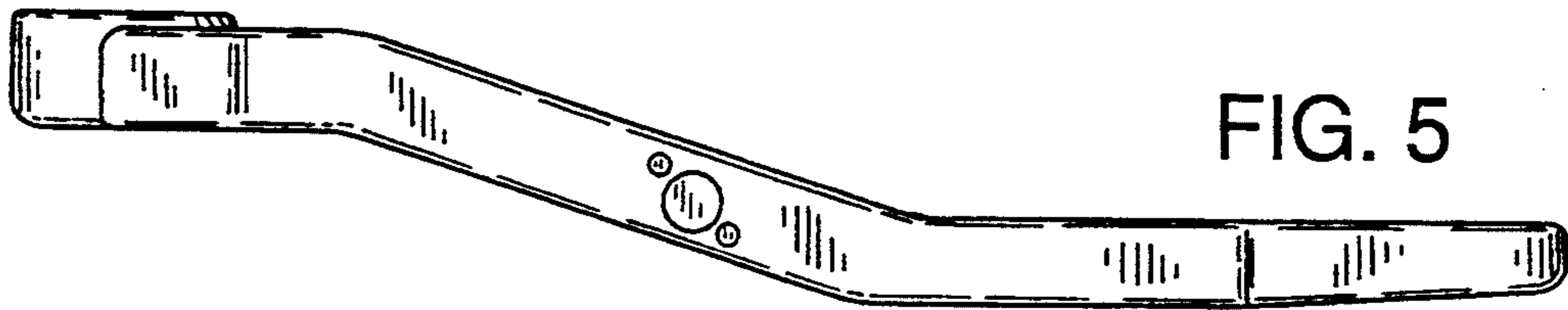
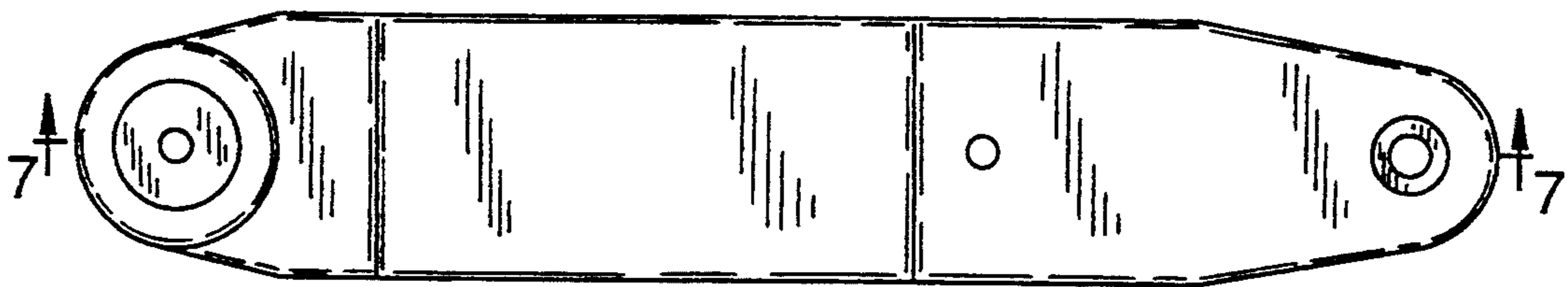


FIG. 5

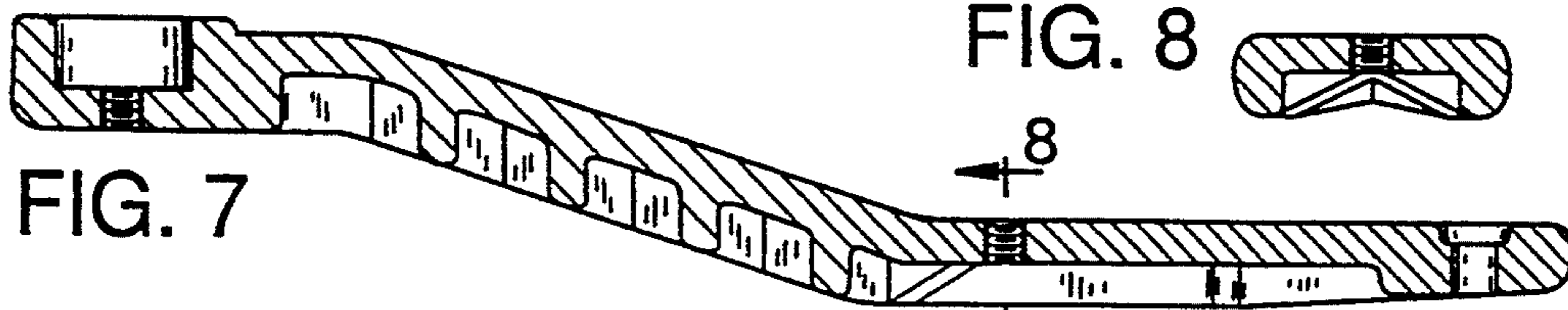


FIG. 7

FIG. 6

FIG. 8

