



US00D356638S

United States Patent [19]

[11] Patent Number: Des. 356,638

Mohr

[45] Date of Patent: ** Mar. 21, 1995

[54] **COMBINED URINE RELIEF AND STORAGE TUBE**

[57] **CLAIM**

[76] Inventor: **Harold R. Mohr**, 3489 Saddle Dr., Hayward, Calif. 94541

The ornamental design for a combined urine relief and storage tube, as shown and described.

[**] Term: **14 Years**

DESCRIPTION

[21] Appl. No.: **10,279**

FIG. 1 is a top plan view in its open position, of the combined storage tube shown in FIG. 7, the center portion thereof being broken away for convenience of illustration;

[22] Filed: **Jul. 6, 1993**

[52] U.S. Cl. **D24/122; D24/121**

[58] Field of Search **D24/122, 121, 118, 143; 128/760, 767, 761; 4/144.1, 144.2, 144.3, 144.4; 604/408, 409, 322, 263, 262**

FIG. 2 is a fragmentary top plan view of the left end the combined urine relief and storage tube in its closed and sealed position;

[56] References Cited

U.S. PATENT DOCUMENTS

4,790,834	12/1988	Austin	128/767 X
4,804,377	2/1989	Hanifl et al.	128/767 X
5,009,236	4/1991	Brothers	128/762 X
5,235,705	8/1993	Belisle	128/767 X
5,255,689	10/1993	Kenda	128/767 X

FIG. 3 is a fragmentary front elevational view thereof; FIG. 4 is a side elevational view of the combined urine relief and storage tube shown in open position, the opposite side elevational view being identical thereto;

Primary Examiner—A. Hugo Word

Assistant Examiner—I. Simmons

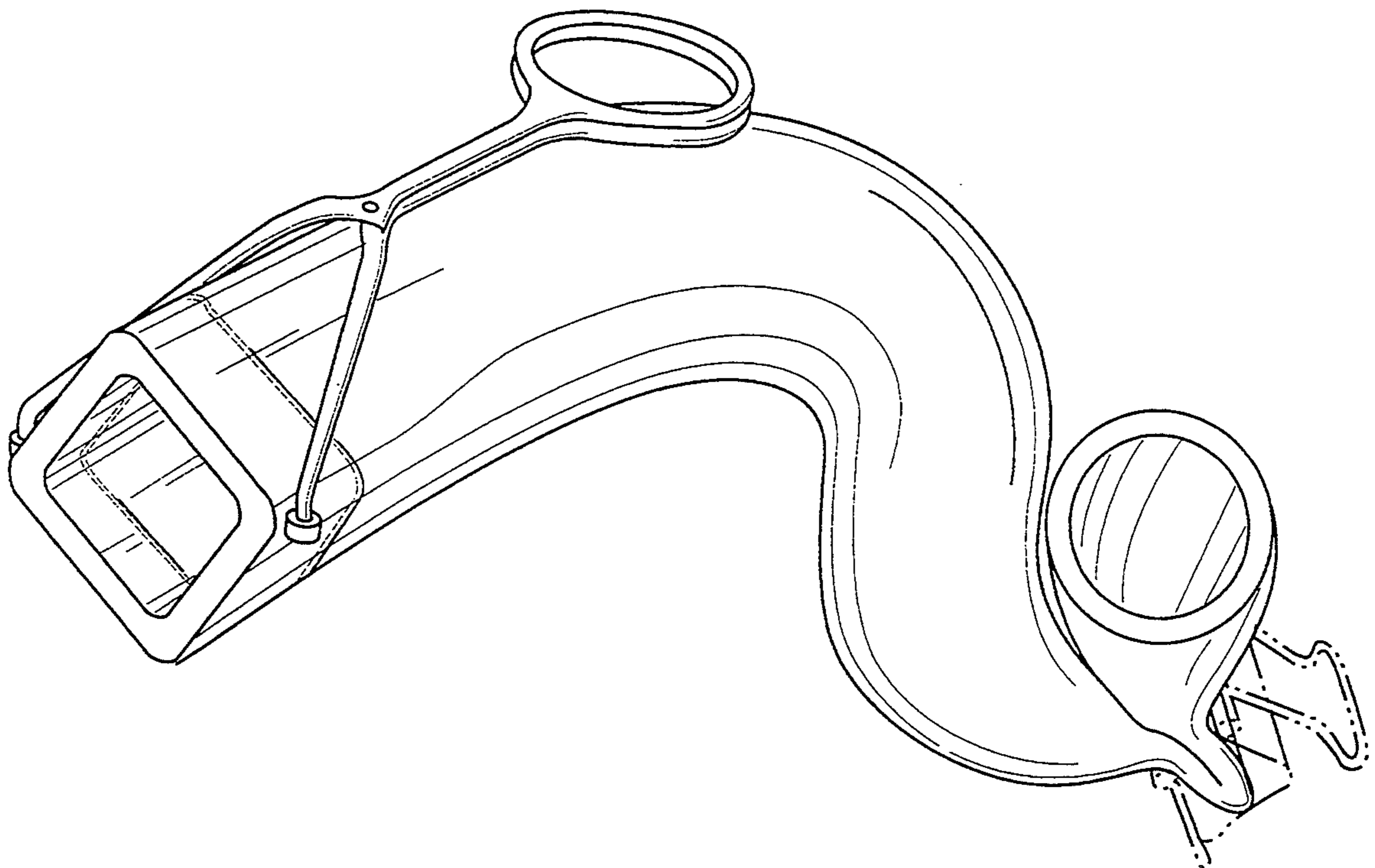
Attorney, Agent, or Firm—Linval B. Castle

FIG. 5 is fragmentary front elevational view shown in open position;

FIG. 6 is a rear elevational view thereof; and,

FIG. 7 is a perspective view of a combined urine relief and storage tube showing my new design.

The broken line showing of the clamp in FIGS. 1, 4, 6 and 7 is for illustrative purposes only and forms no part of the claimed invention.



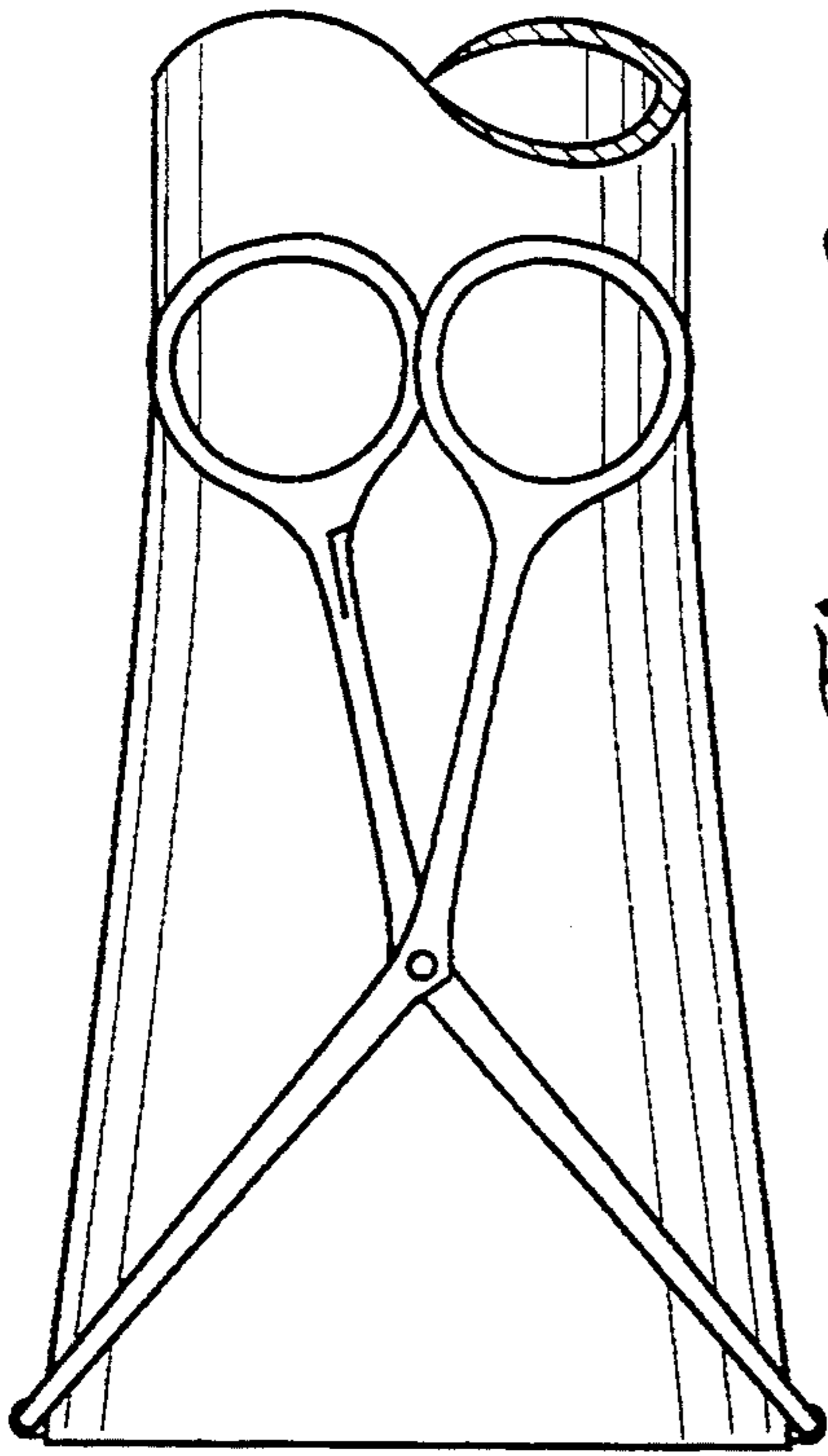


Figure 2

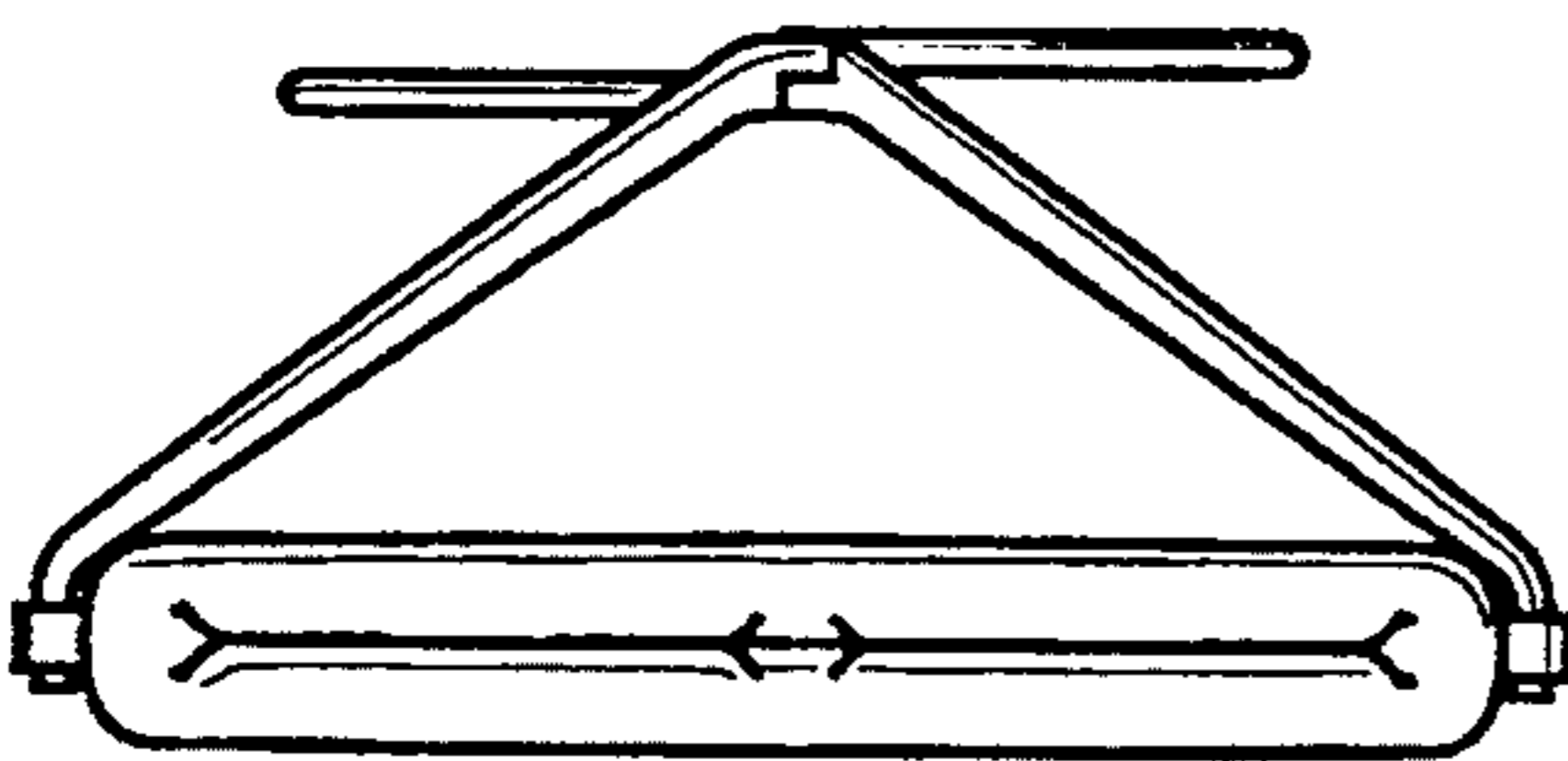


Figure 3

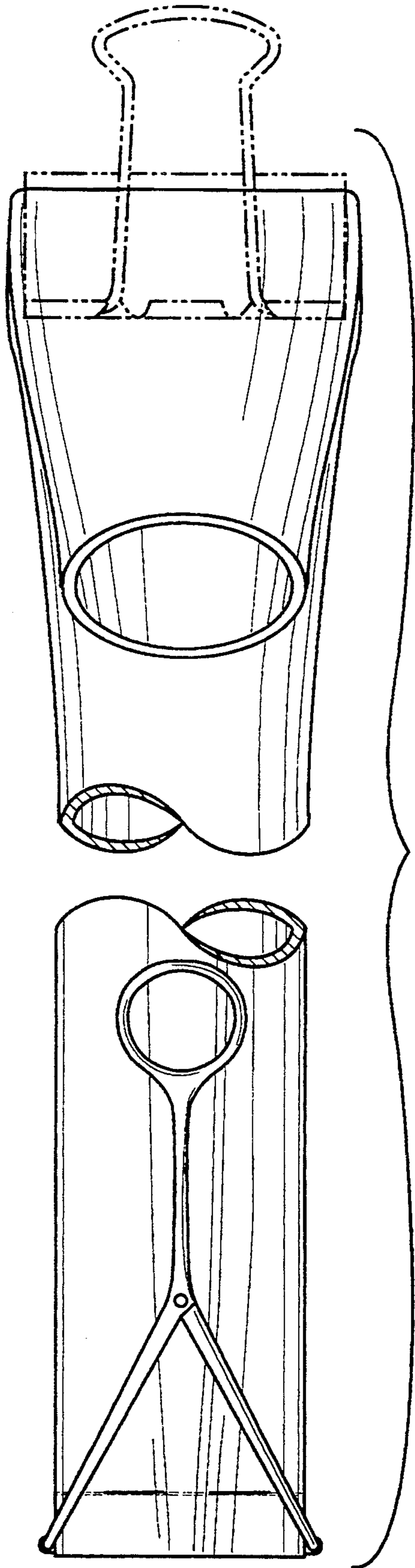


Figure 1

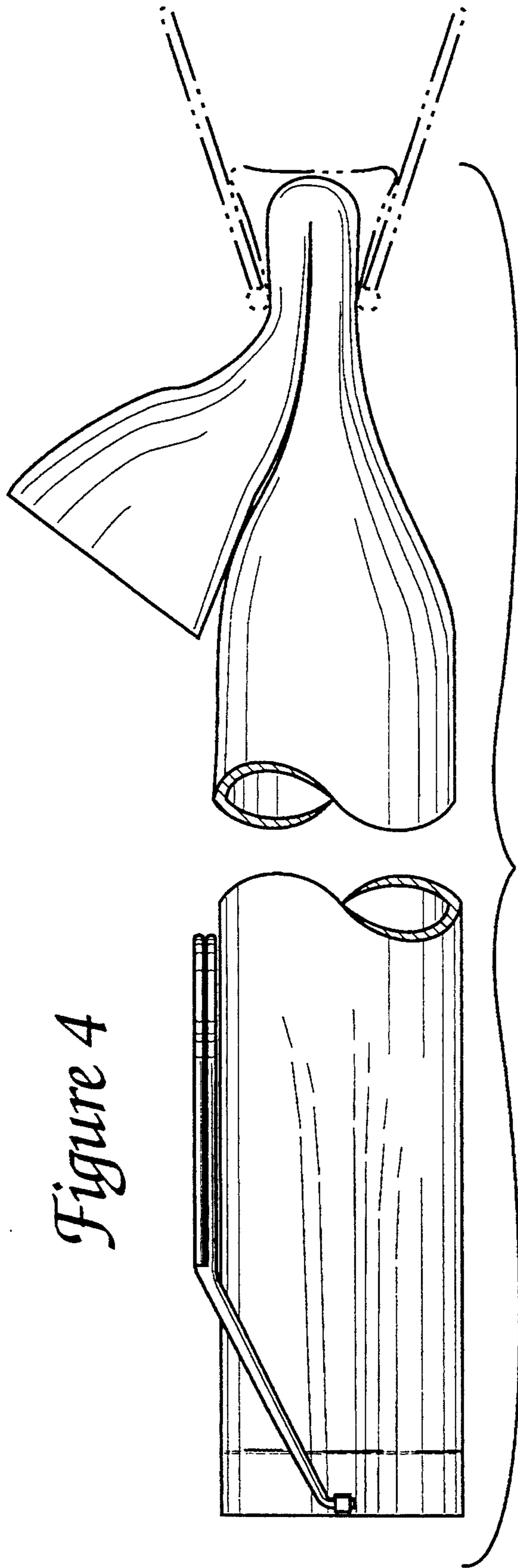


Figure 4

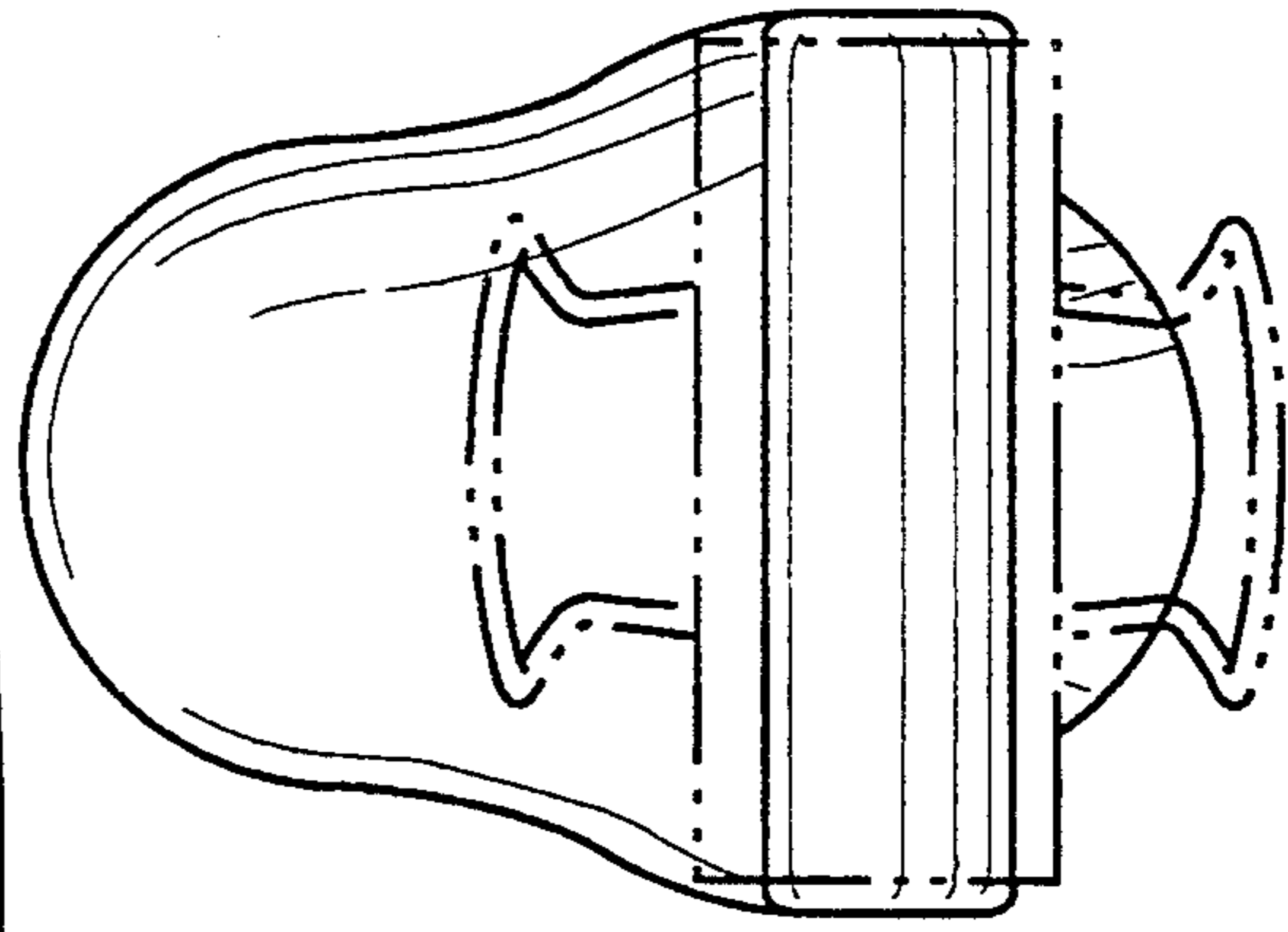


Figure 6

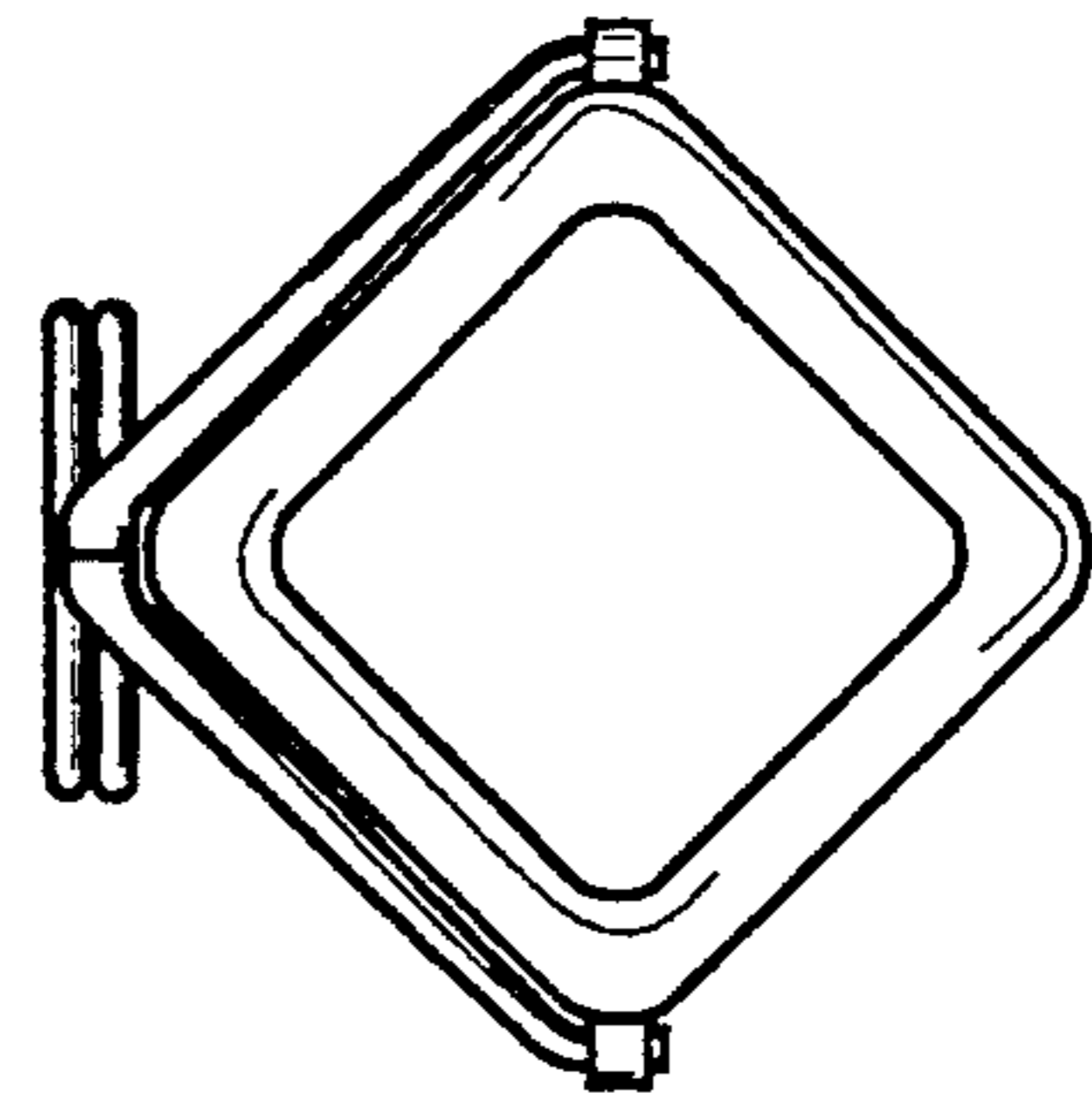


Figure 5

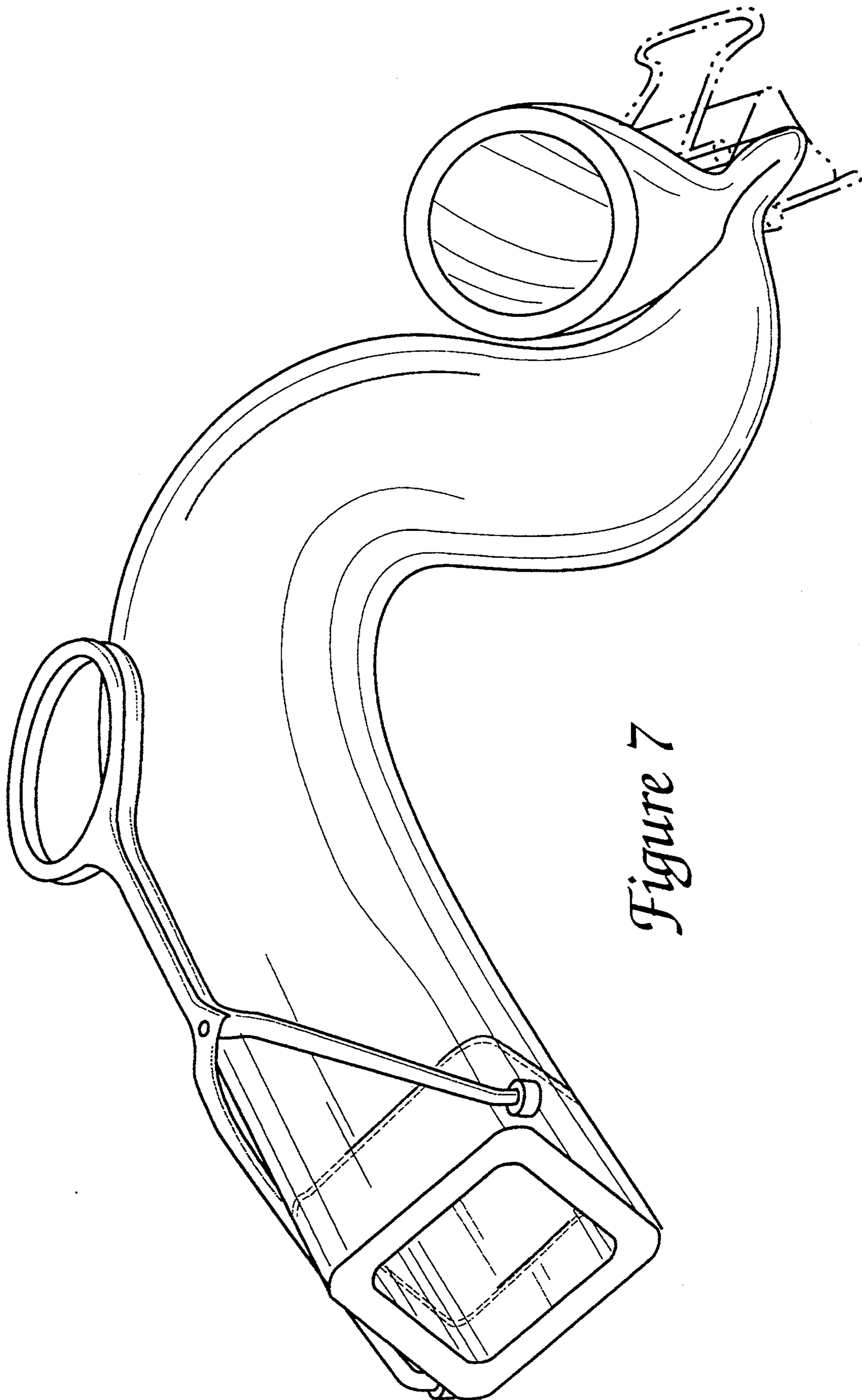


Figure 7