



US00D356635S

United States Patent [19]

[11] Patent Number: Des. 356,635

Roth

[45] Date of Patent: ** Mar. 21, 1995

[54] COMBINATION ADULT AND CHILD TOILET SEAT AND COVER

[76] Inventor: William R. Roth, Rt 4 - 616 Meyer La., St. Charles, Mo. 63303

[**] Term: 14 Years

[21] Appl. No.: 7,976

[22] Filed: May 7, 1993

[52] U.S. Cl. D23/311

[58] Field of Search D23/309, 311, 312; 4/234, 236, 242.1, 252.1, 253, 217, 560.1, 562.1, 563.1, 571.1, 572.1, 573.1; D6/333, 339

[56] **References Cited**

U.S. PATENT DOCUMENTS

D. 172,564	7/1954	Ring	D23/311
D. 305,357	1/1990	Ritzer	4/234 X
D. 326,316	5/1992	Zhang	D23/312

Primary Examiner—A. Hugo Word
Assistant Examiner—Eric Watterson
Attorney, Agent, or Firm—Hugh E. Smith

[57] **CLAIM**

The ornamental design for a combination adult and child toilet seat and cover, as shown and described.

DESCRIPTION

FIG. 1 is a front elevational view of the combination adult and child toilet seat and cover showing my new design;

FIG. 2 is a rear elevational view thereof;

FIG. 3 is a left side elevational view thereof;

FIG. 4 is a right side elevational view thereof;

FIG. 5 is a top plan view thereof; and,

FIG. 6 is a bottom plan view thereof; and,

FIG. 7 is an isometric view thereof.

The broken line showing is for illustrative purposes only and forms no part of the claimed design.

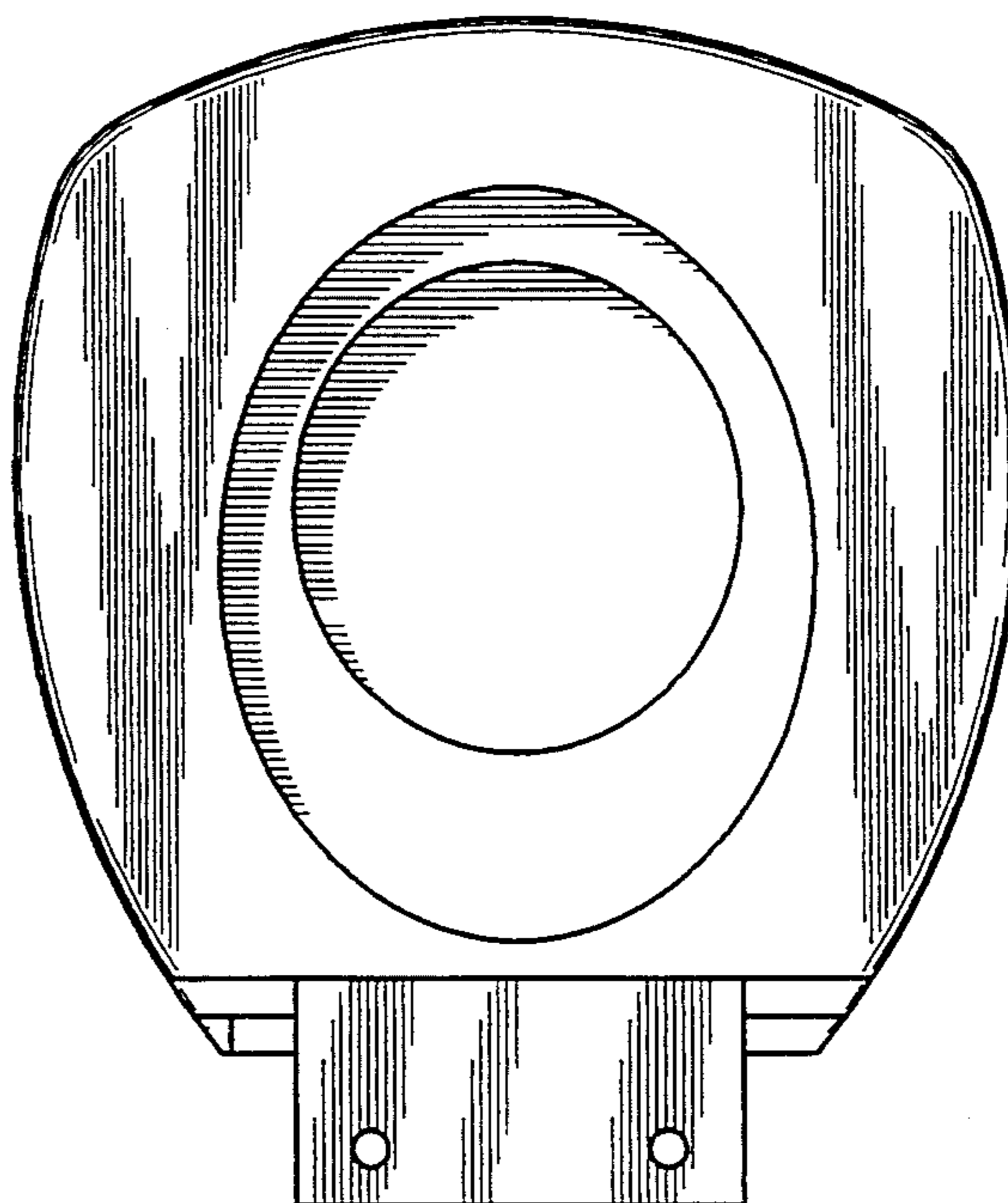
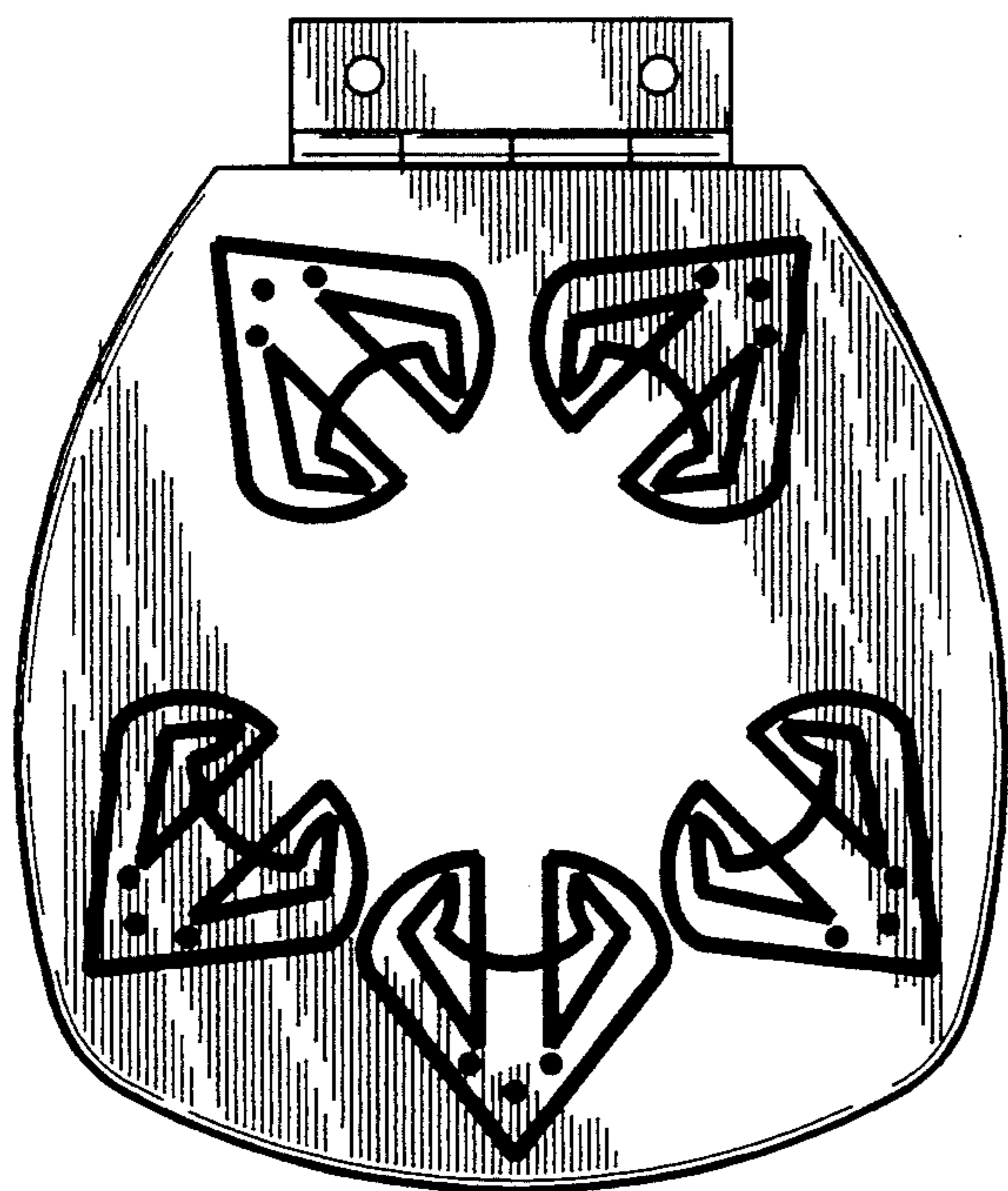


FIG. 1

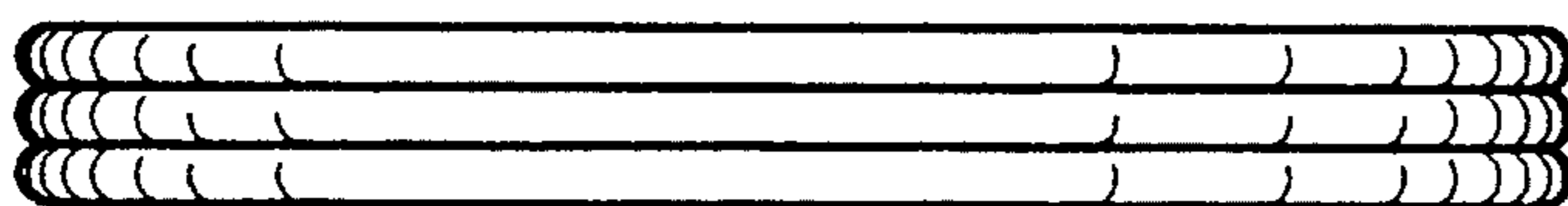


FIG. 2



FIG. 3



FIG. 4



FIG. 5

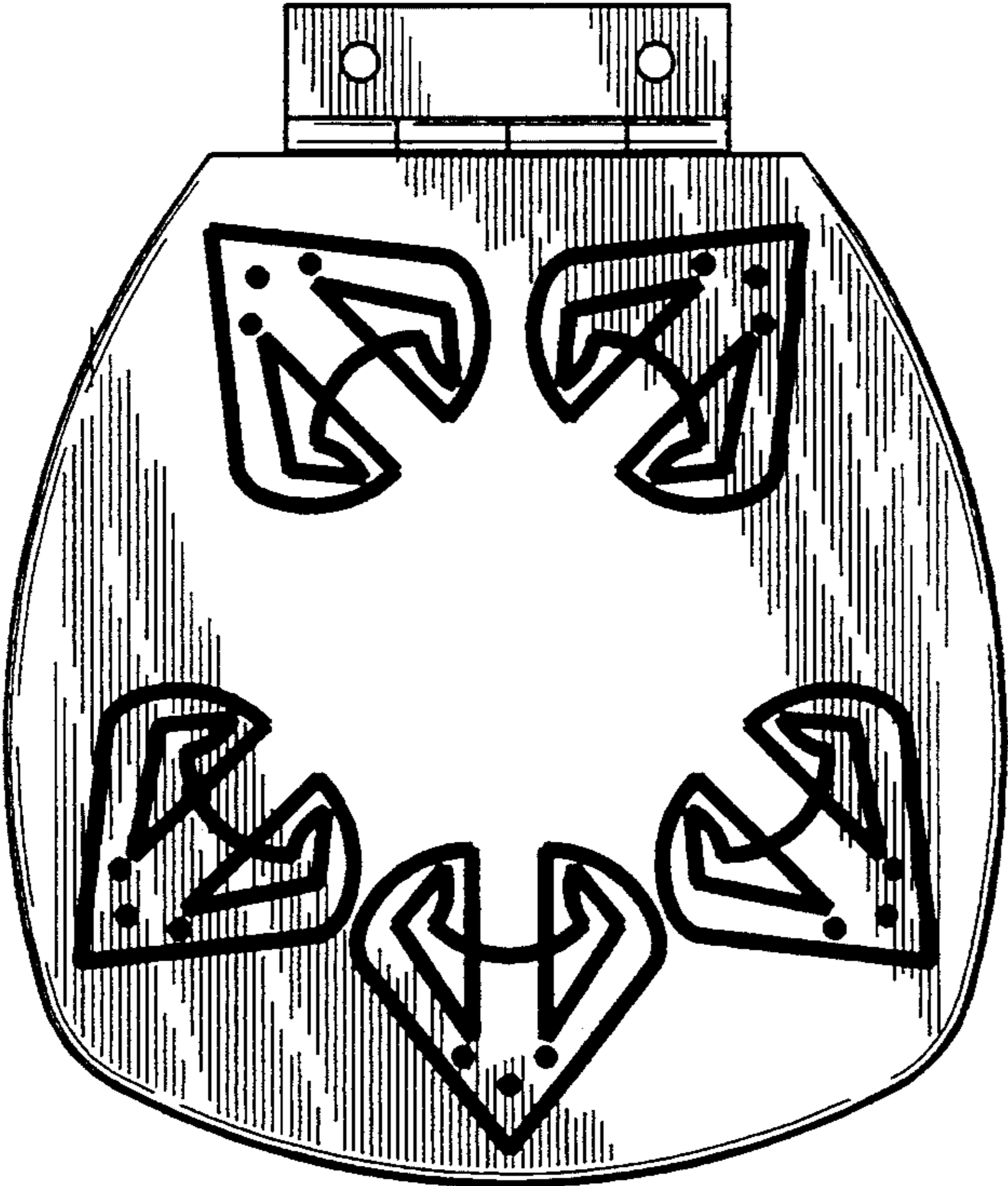


FIG. 6

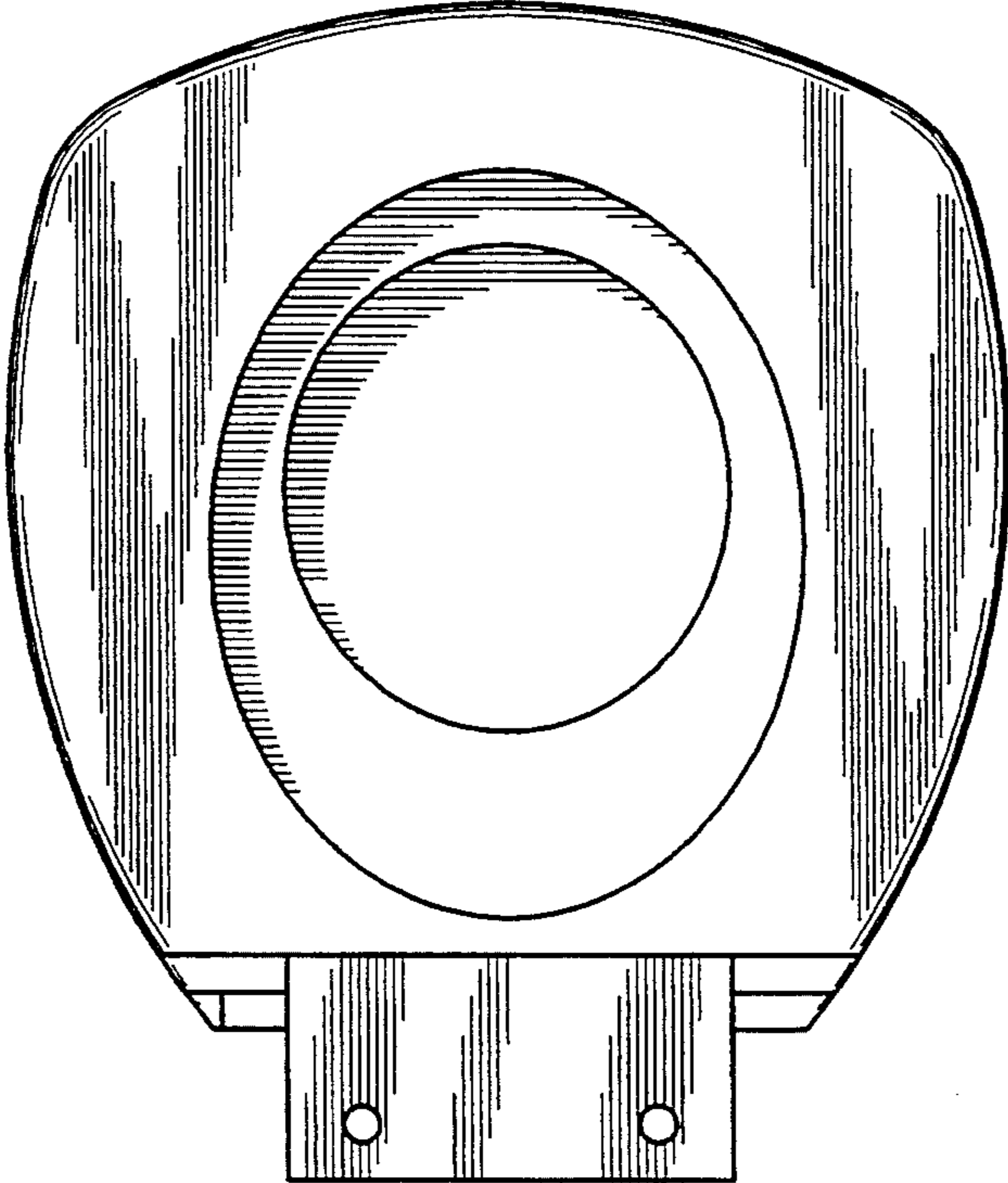


FIG. 7

