



US00D356628S

United States Patent [19]

[11] Patent Number: **Des. 356,628**

Brady

[45] Date of Patent: **** Mar. 21, 1995**

[54] **SPRINKLER GUARD**

4,350,296 9/1982 Kuhlman 239/288.5

[76] Inventor: **Frederick W. Brady**, 535 Manilla Ave., Long Beach, Calif. 90814

Primary Examiner—Wallace R. Burke
Assistant Examiner—Robin V. Taylor
Attorney, Agent, or Firm—Loyal M. Hanson

[**] Term: **14 Years**

[57] **CLAIM**

[21] Appl. No.: **6,373**

The ornamental design for a sprinkler guard, as shown and described.

[22] Filed: **Mar. 25, 1993**

[52] U.S. Cl. **D23/227**

[58] Field of Search **D23/213, 214, 217, 218, D23/227; 239/288, 288.3, 288.5, 201, 202, 203, 204, 223**

DESCRIPTION

FIG. 1 is a top front perspective view of a sprinkler guard showing my new design. The broken line is for illustrative purposes only and forms no part of the claimed design;

[56] **References Cited**

U.S. PATENT DOCUMENTS

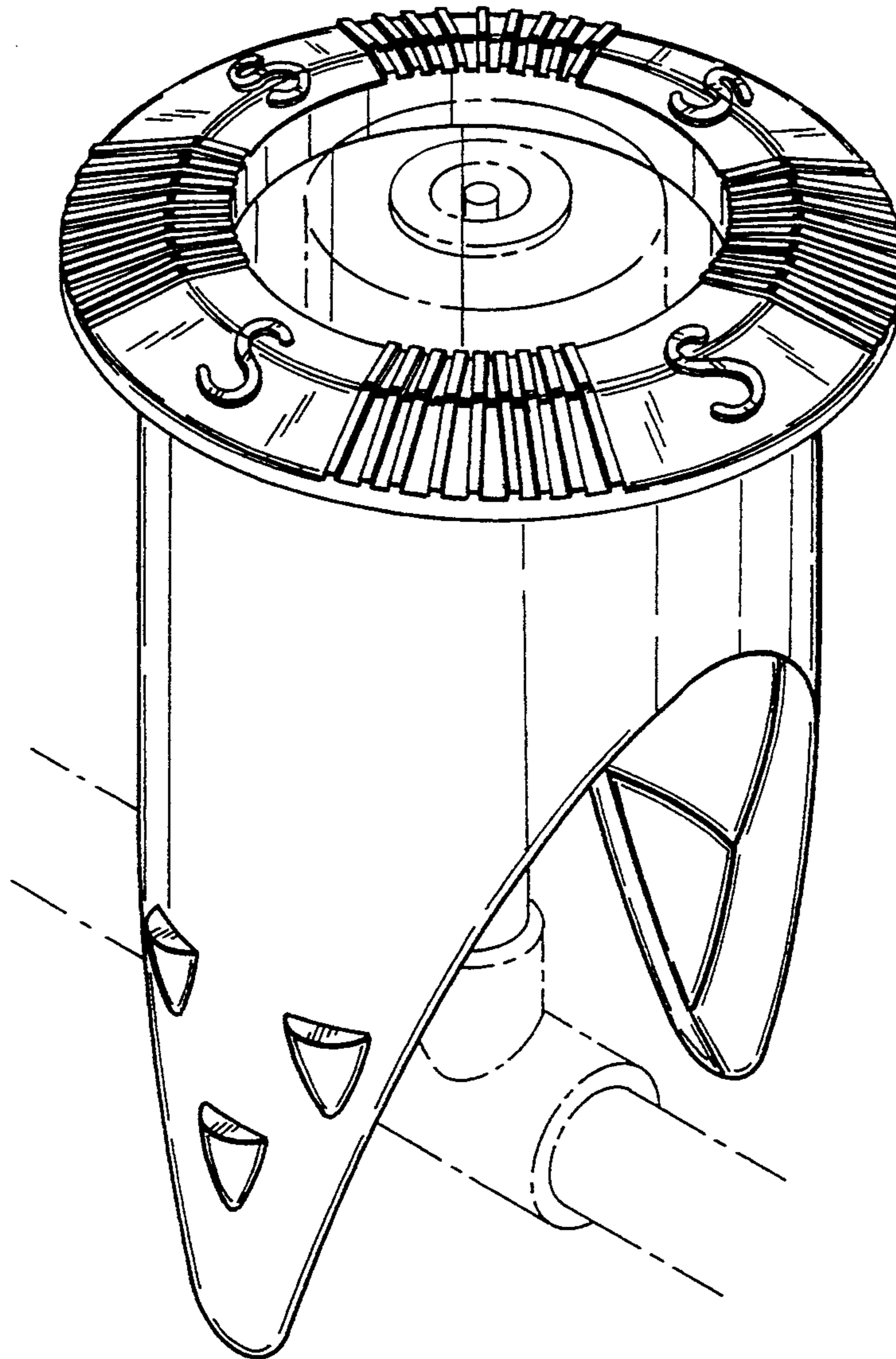
- D. 212,091 8/1968 Cloud D23/218
- D. 319,489 8/1991 Han et al. D23/214
- 2,080,341 5/1937 Schumacher 239/201
- 3,015,448 1/1962 Hurless 239/201

FIG. 2 is a top view of the sprinkler guard;

FIG. 3 is a back view;

FIG. 4 is a side view showing the side opposite the side shown in FIG. 1; and,

FIG. 5 is a bottom view.



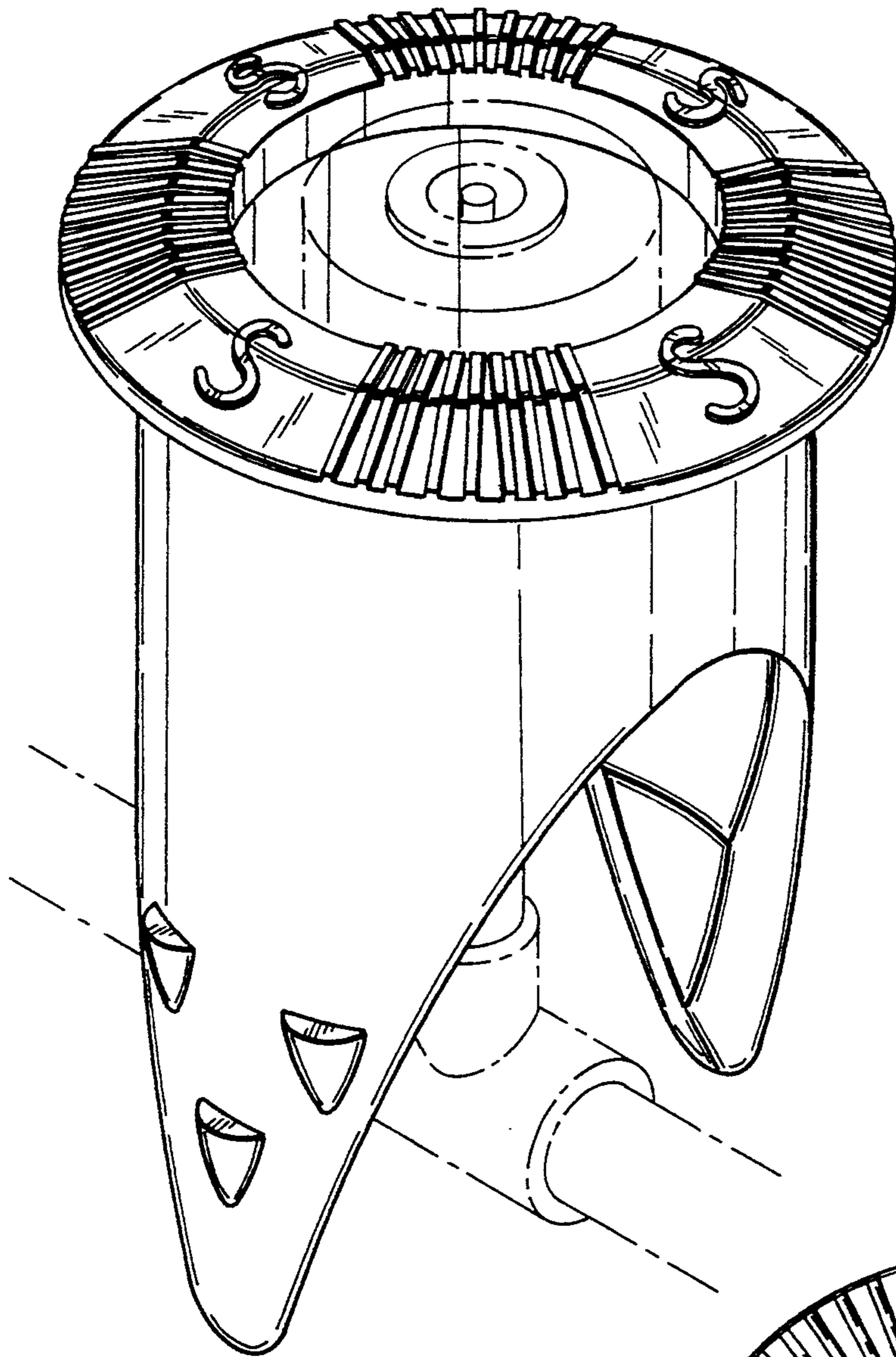


Fig. 1

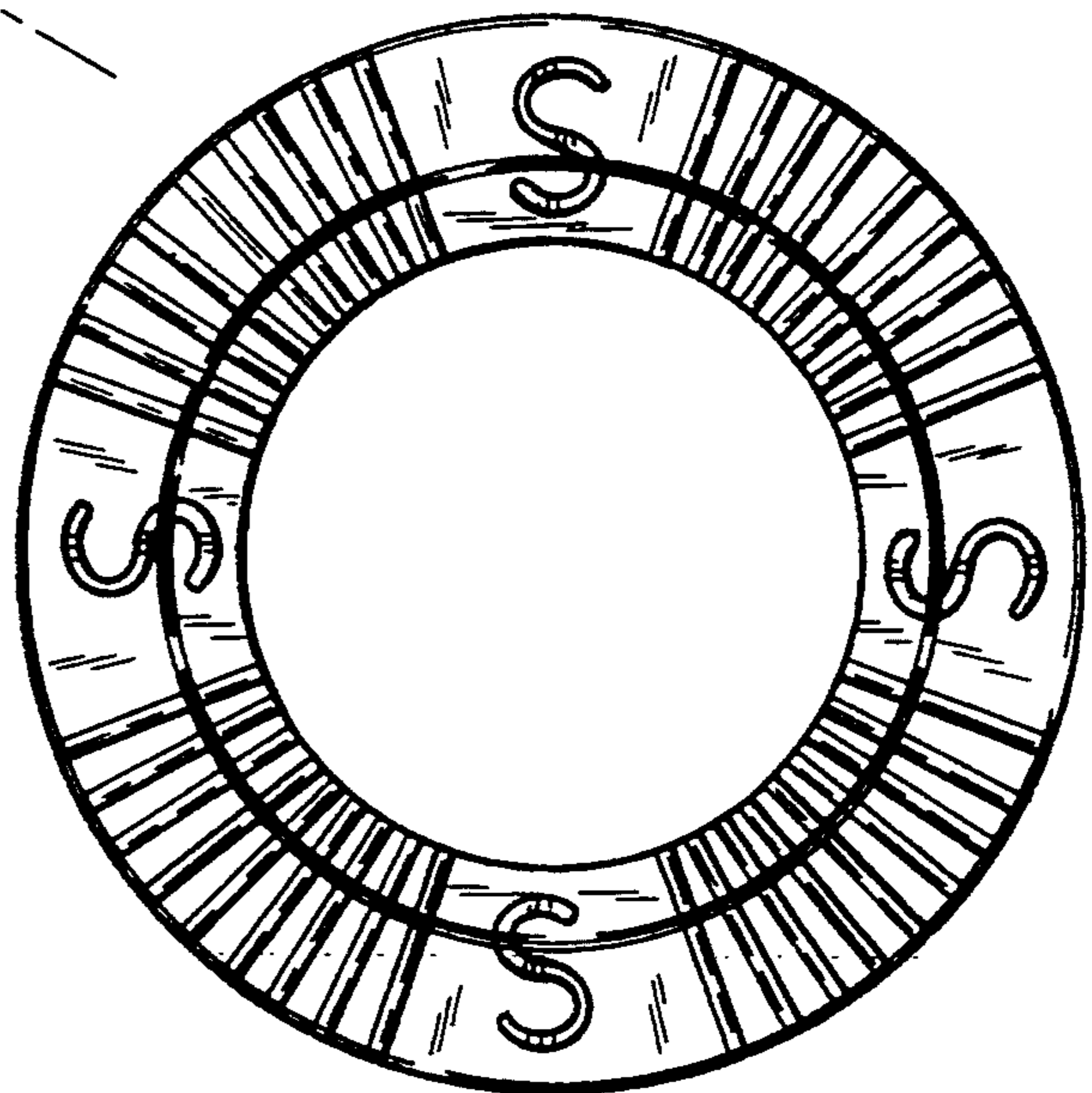


Fig. 2

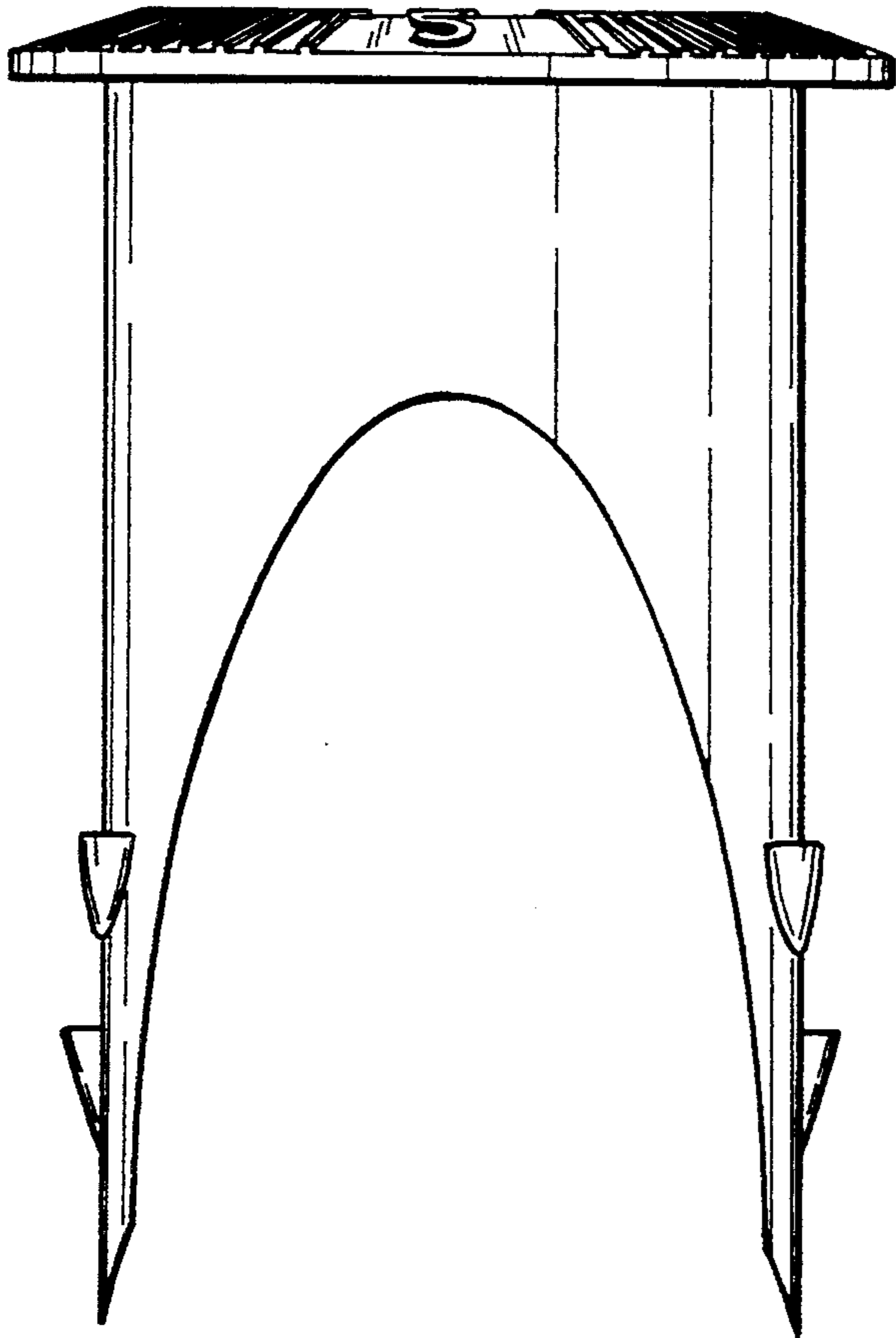


Fig. 3

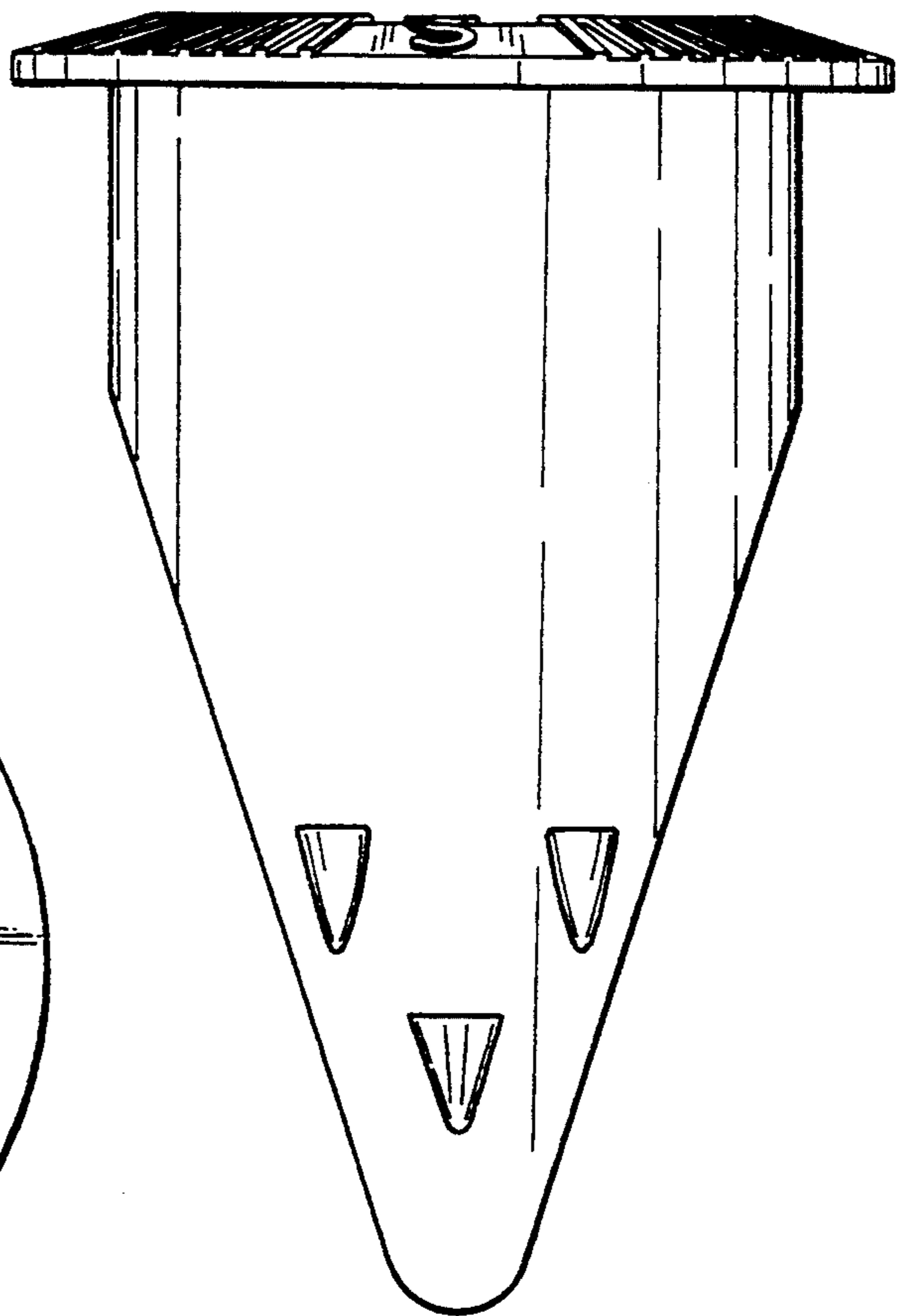


Fig. 4

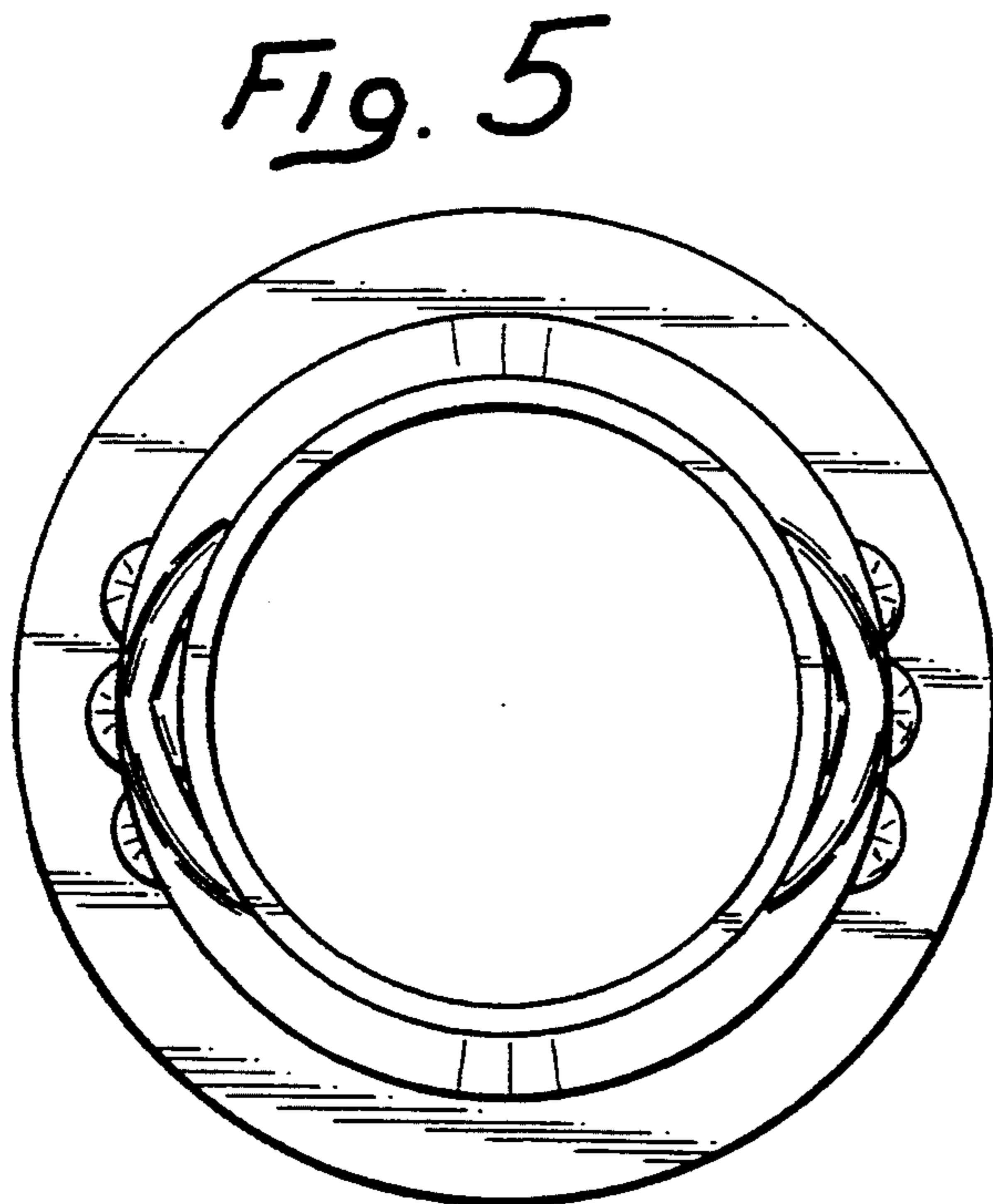


Fig. 5