



US00D356625S

United States Patent [19]

[11] Patent Number: **Des. 356,625**

Petrucci et al.

[45] Date of Patent: **** Mar. 21, 1995**

[54] **FILTER ADAPTER HEAD**

[75] Inventors: **Raymond M. Petrucci**, Middlebury, Conn.; **Harry T. Cheatwood**, Stillwater, Okla.

[73] Assignees: **Hydro Systems International; PureMark USA, Inc.; W. F. srl**

[**] Term: **14 Years**

[21] Appl. No.: **8,781**

[22] Filed: **May 28, 1993**

[52] U.S. Cl. **D23/209; D9/435**

[58] Field of Search **D23/209, 207; D9/447, D9/440, 434, 436, 449; 215/200, 228, 318, 321, 329; 220/200, 212, 288; 222/144.5, 569; 210/278**

D. 316,208	4/1991	Griffiths et al.	D9/436
D. 320,640	10/1991	Goodrow	D23/209
D. 327,016	6/1992	Leuenberger	D9/435
D. 333,787	5/1993	Hirst et al.	D9/435
D. 336,430	6/1993	Maguire et al.	D9/447
4,830,058	5/1989	Harris	220/200
5,174,337	12/1992	Dahlen et al.	210/278

Primary Examiner—Wallace R. Burke
Assistant Examiner—M. Brown
Attorney, Agent, or Firm—William C. Crutcher

[57] **CLAIM**

The ornamental design for a filter adapter head, as shown and described.

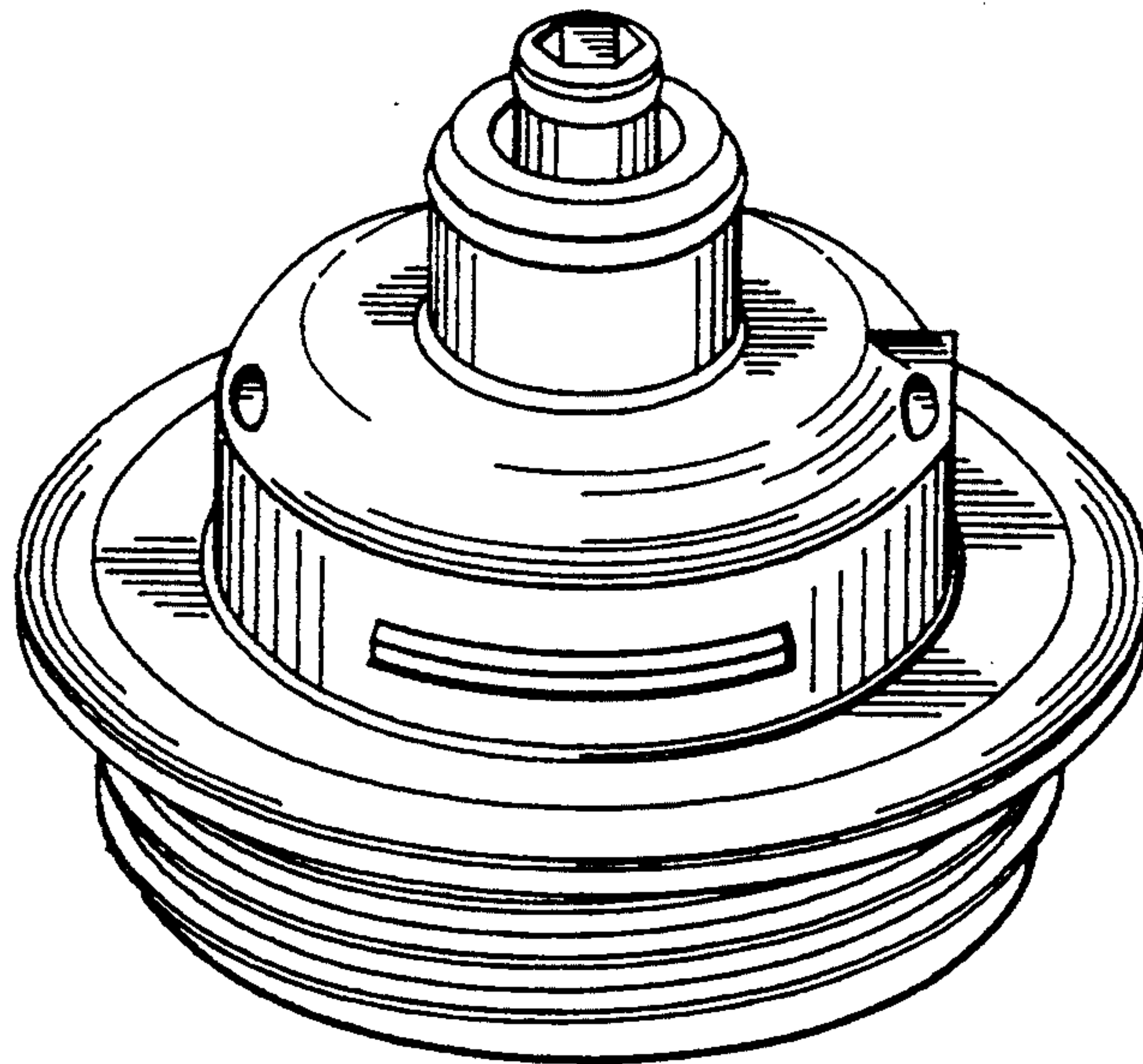
DESCRIPTION

FIG. 1 is a top plan view of a filter adapter head showing our new design;
FIG. 2 is a front end elevational view thereof;
FIG. 3 is a bottom plan view thereof;
FIG. 4 is a right side elevational view thereof, the left side being substantially identical mirror image; and,
FIG. 5 is a top and right side perspective view thereof.

[56] **References Cited**

U.S. PATENT DOCUMENTS

D. 234,843	4/1975	Taylor	D23/209
D. 286,620	11/1986	Schneider	D9/435



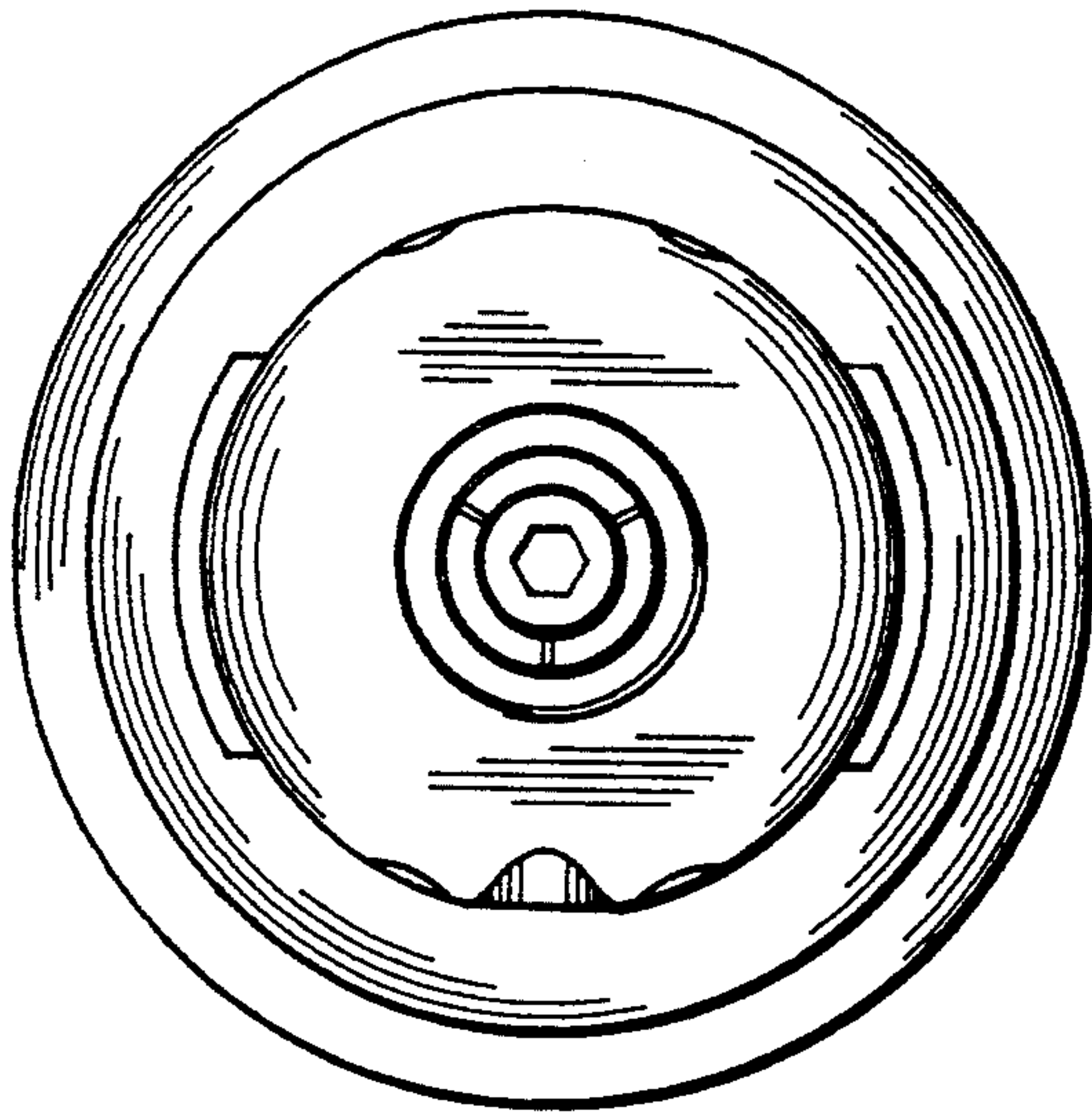


Fig. 1

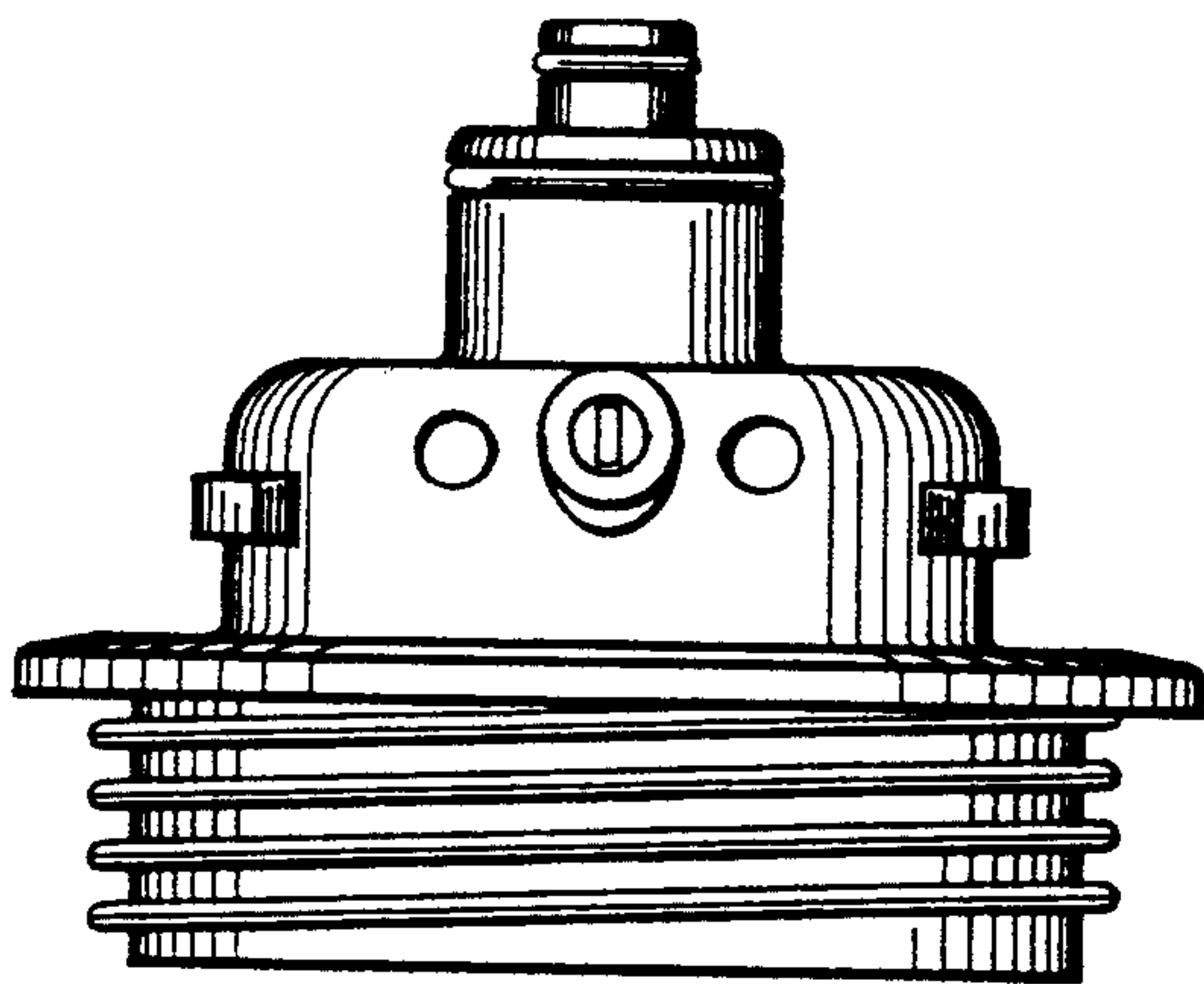


Fig. 2

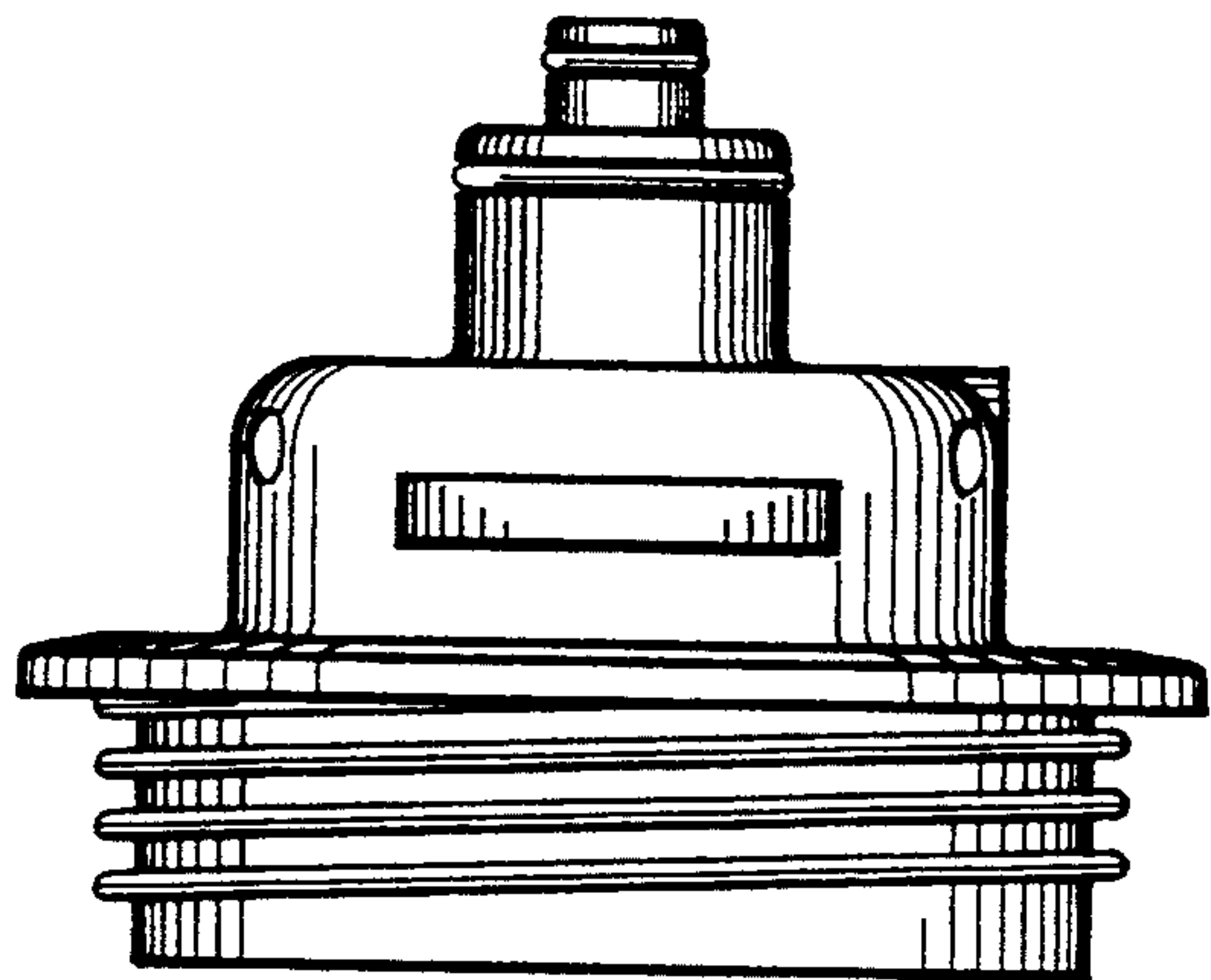


Fig. 4

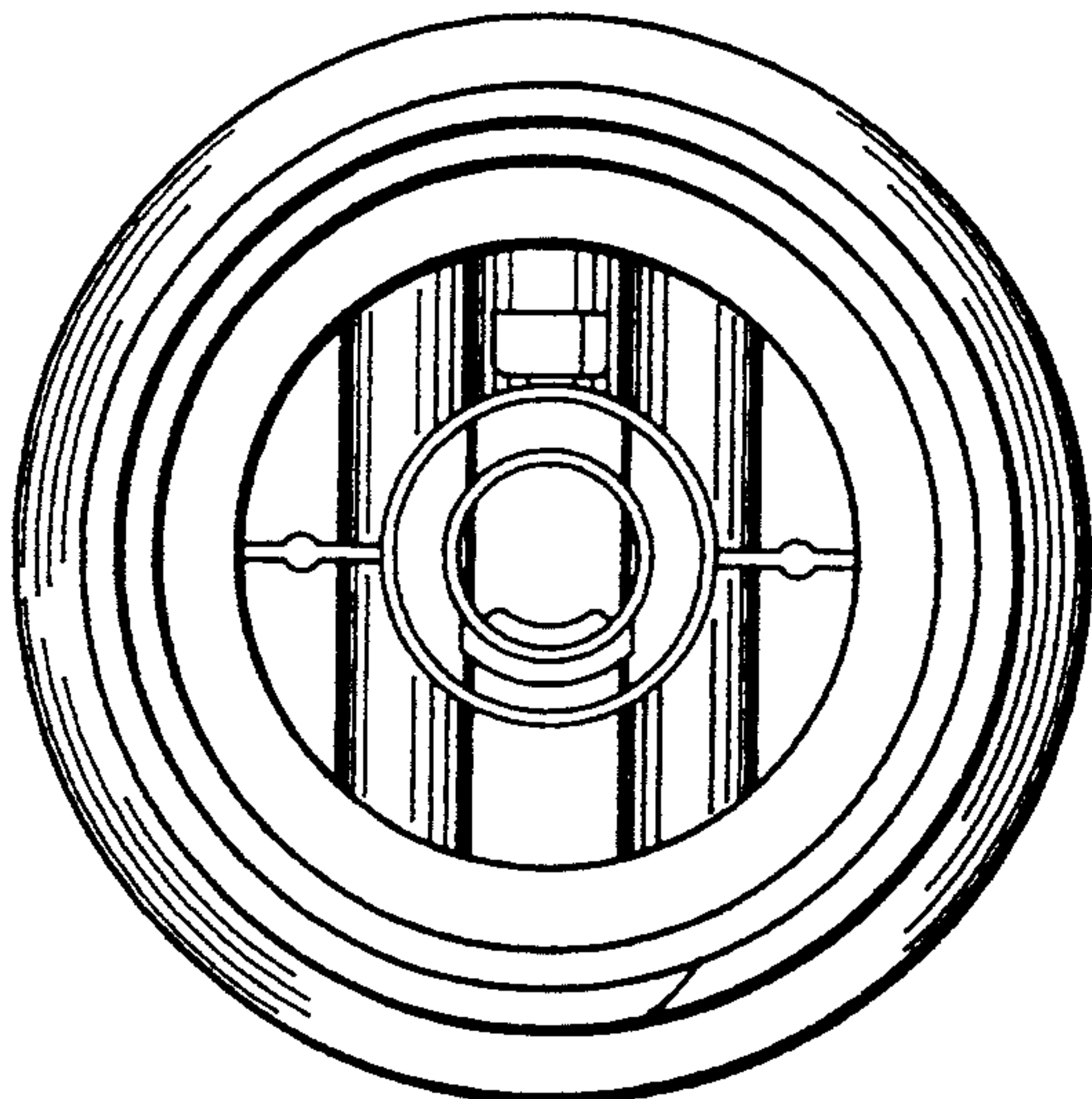


Fig. 3

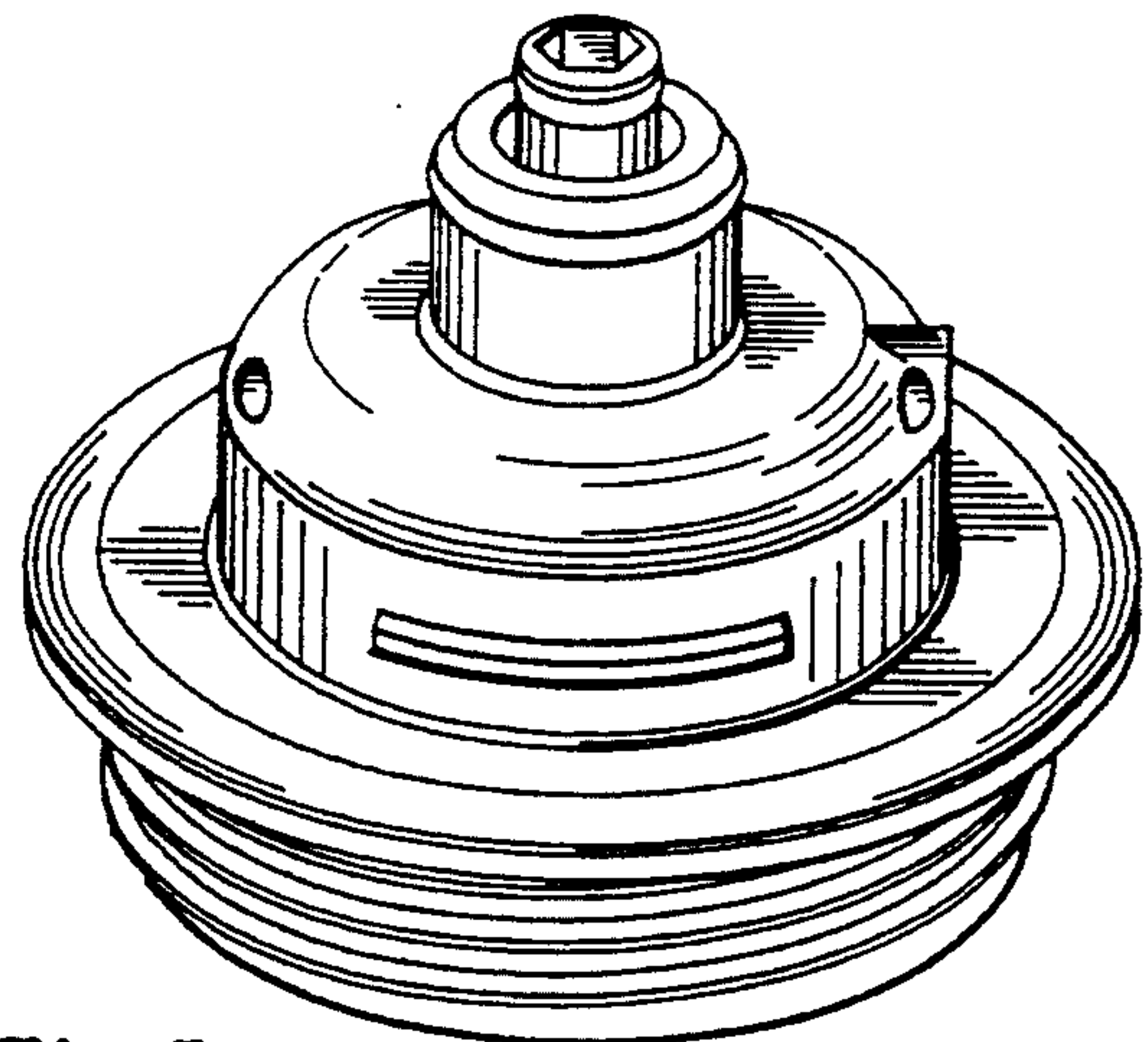


Fig. 5