



US00D356624S

United States Patent [19]

[11] Patent Number: Des. 356,624

Rummler

[45] Date of Patent: ** Mar. 21, 1995

[54] WASTE SEPARATOR

[75] Inventor: John M. Rummler, Portsmouth, N.H.

[73] Assignee: Wastech, Portsmouth, N.H.

[**] Term: 14 Years

[21] Appl. No.: 6,228

[22] Filed: Mar. 23, 1993

[52] U.S. Cl. D23/207

[58] Field of Search D23/207-210;
210/739, 748, 769, 774, 98, 138, 184, 407, 502.1,
180, 182, 188

[56] References Cited

U.S. PATENT DOCUMENTS

2,790,560	4/1957	Beryland	210/296
3,523,076	8/1970	Goerz, Jr. et al. .	
3,700,565	10/1972	Cornish et al. .	
3,831,288	9/1974	Stribling et al. .	
4,219,415	8/1980	Nessef et al. .	
4,547,917	10/1985	Akesson .	
4,579,655	4/1986	Louboutin et al.	210/195.3
4,631,133	12/1986	Axelrod .	
4,670,161	6/1987	Hayatdavoudi	210/739
4,770,772	9/1988	Kuwayima et al.	210/184
4,880,533	11/1989	Hondulas	210/739 X
4,889,639	12/1989	Hudgins et al. .	
5,037,560	8/1991	Gayman .	
5,102,538	4/1992	Weiergräber	210/182 X
5,145,576	9/1992	Lataillade .	

FOREIGN PATENT DOCUMENTS

0338626A3	4/1975	European Pat. Off. .
3509215A1	9/1986	Germany .
2222095A	2/1990	United Kingdom .

OTHER PUBLICATIONS

"Wastewater Systems Uses Microwaves" Anon, Jan. 31, 1977, p. 77.

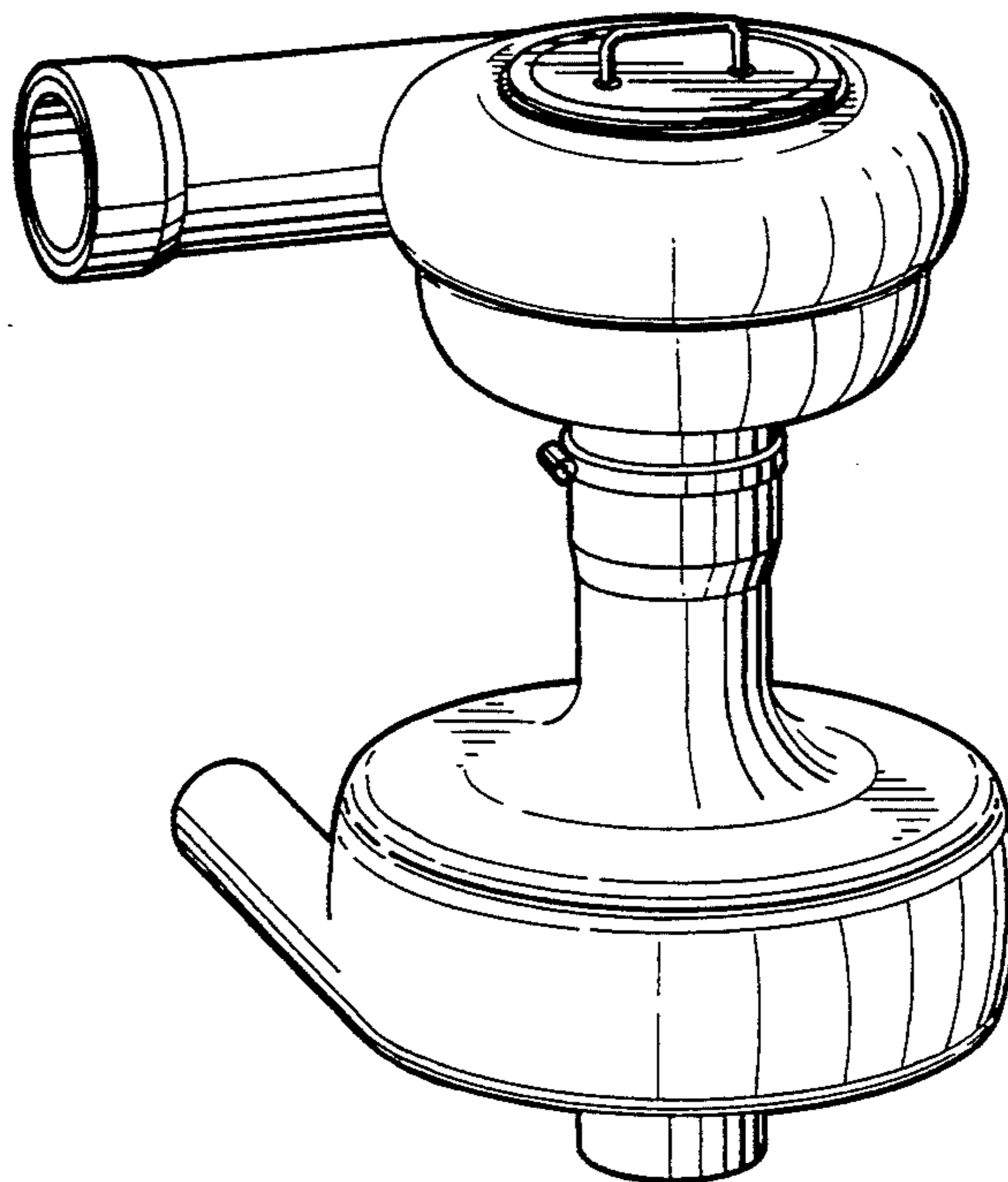
Primary Examiner—Wallace R. Burke
Assistant Examiner—M. H. Tung
Attorney, Agent, or Firm—Oblon, Spivak, McClelland, Maier, & Neustadt

[57] CLAIM

The ornamental design for waste separator, as shown and described.

DESCRIPTION

FIG. 1 is a top, left and front perspective view of waste separator, showing my new design;
 FIG. 2 is a front elevational view thereof;
 FIG. 3 is a rear view thereof;
 FIG. 4 is a right side view thereof;
 FIG. 5 is a left side view thereof;
 FIG. 6 is a top plan view thereof;
 FIG. 7 is a bottom view thereof;
 FIG. 8 is an exploded view thereof;
 FIG. 9 is an enlarged partial cross-sectional view thereof, the spring portion is shown separately for clarity of illustration;
 FIG. 10 is a cross-sectional view of a spring portion thereof;
 FIG. 11 is a bottom view of the lid;
 FIG. 12 is a bottom view of the ring between the lid and top section of the separator;
 FIG. 13 is a top plan view of the top section of the separator;
 FIG. 14 is a bottom view of the ring clamp of FIG. 8; and,
 FIG. 15 is a top plan view of the bottom section of the separator.



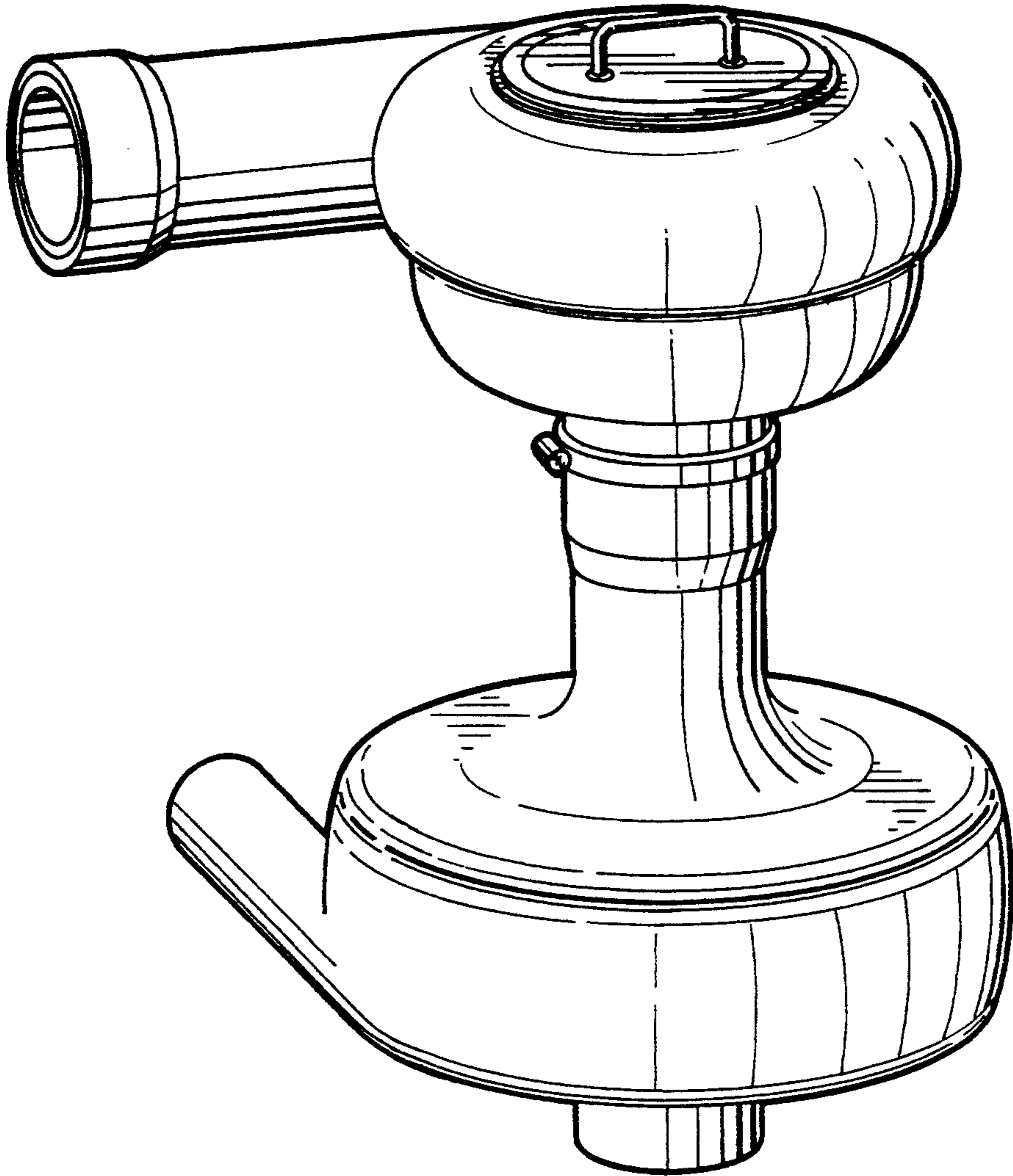


FIG. 1

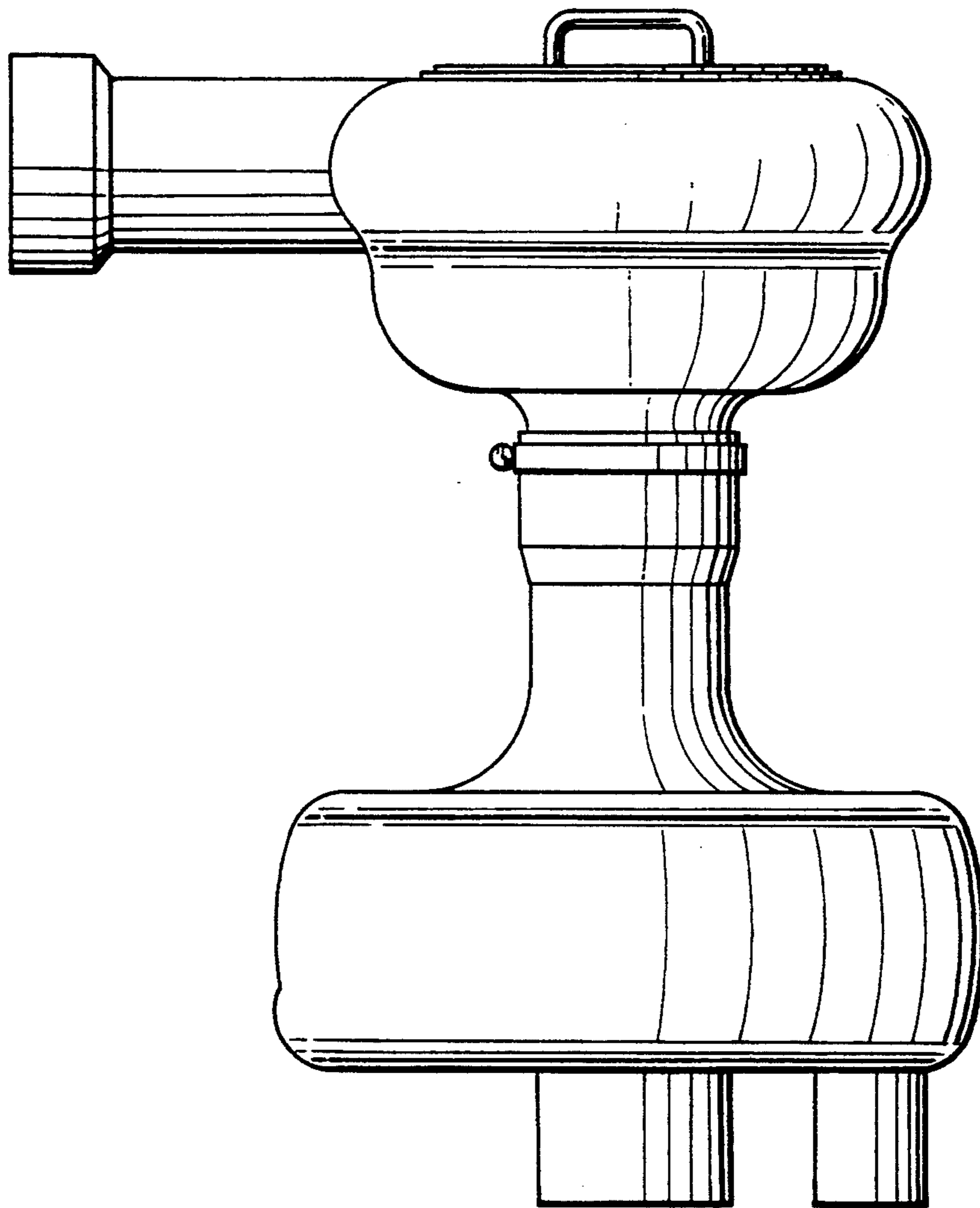


FIG. 2

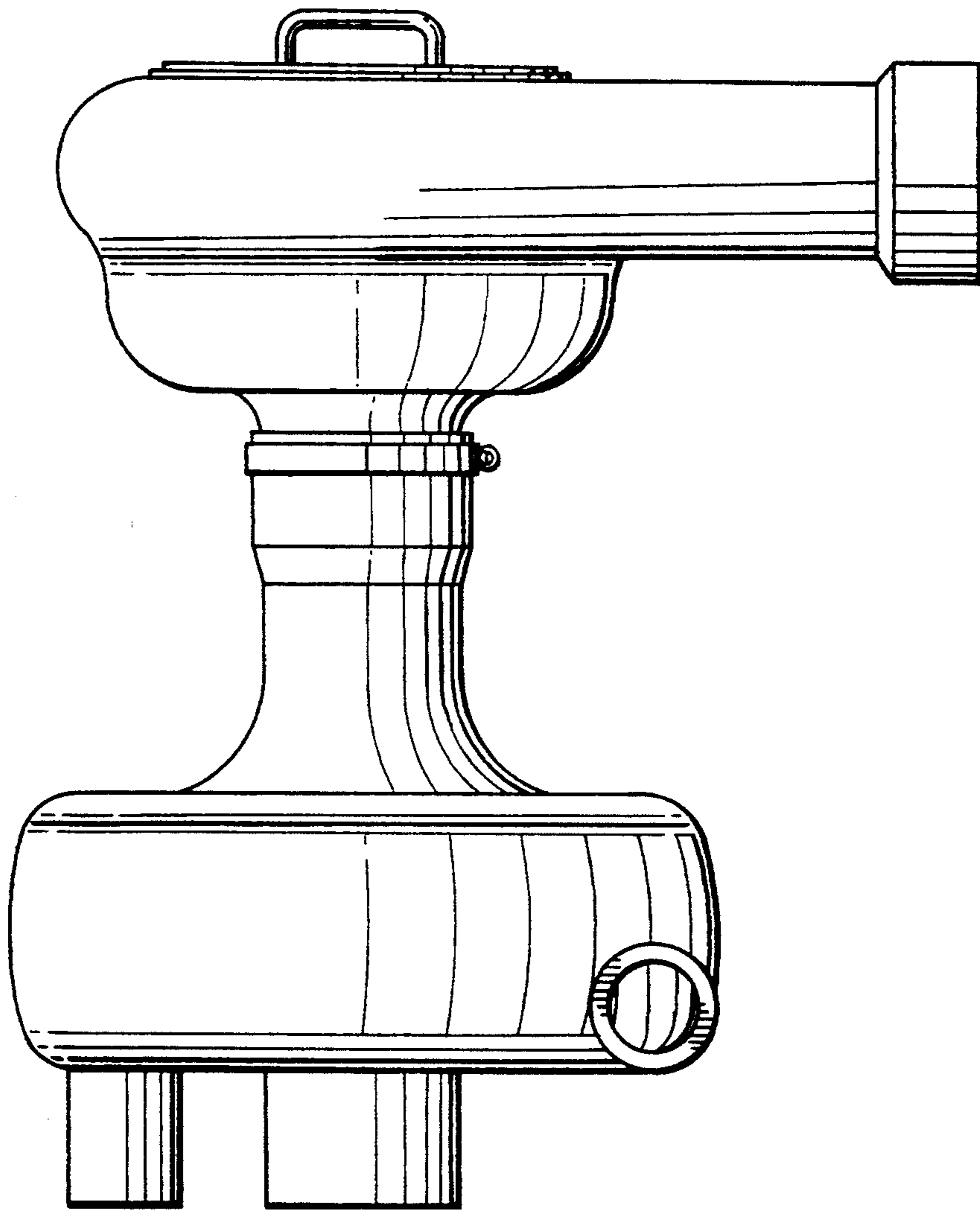


FIG. 3

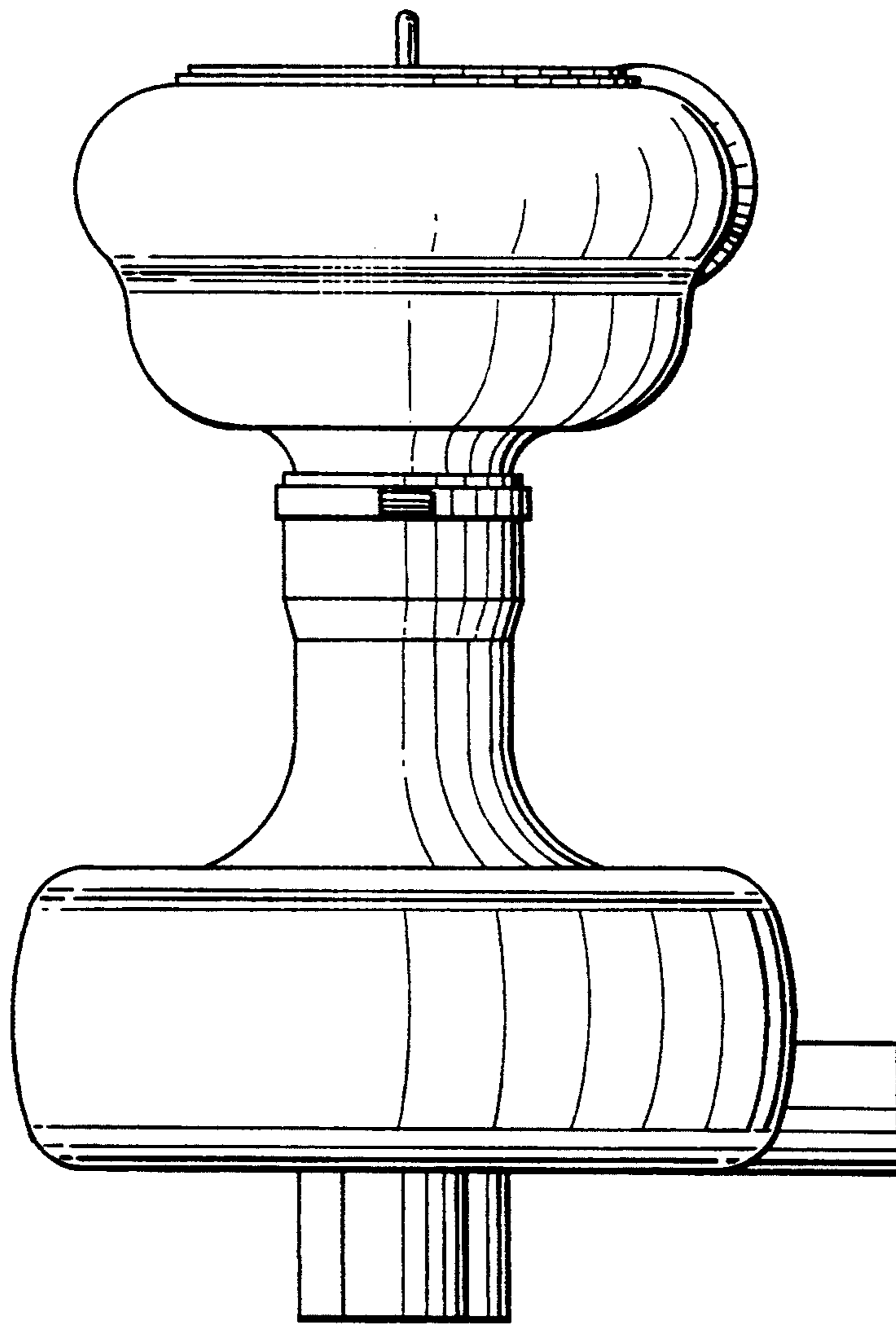


FIG. 4

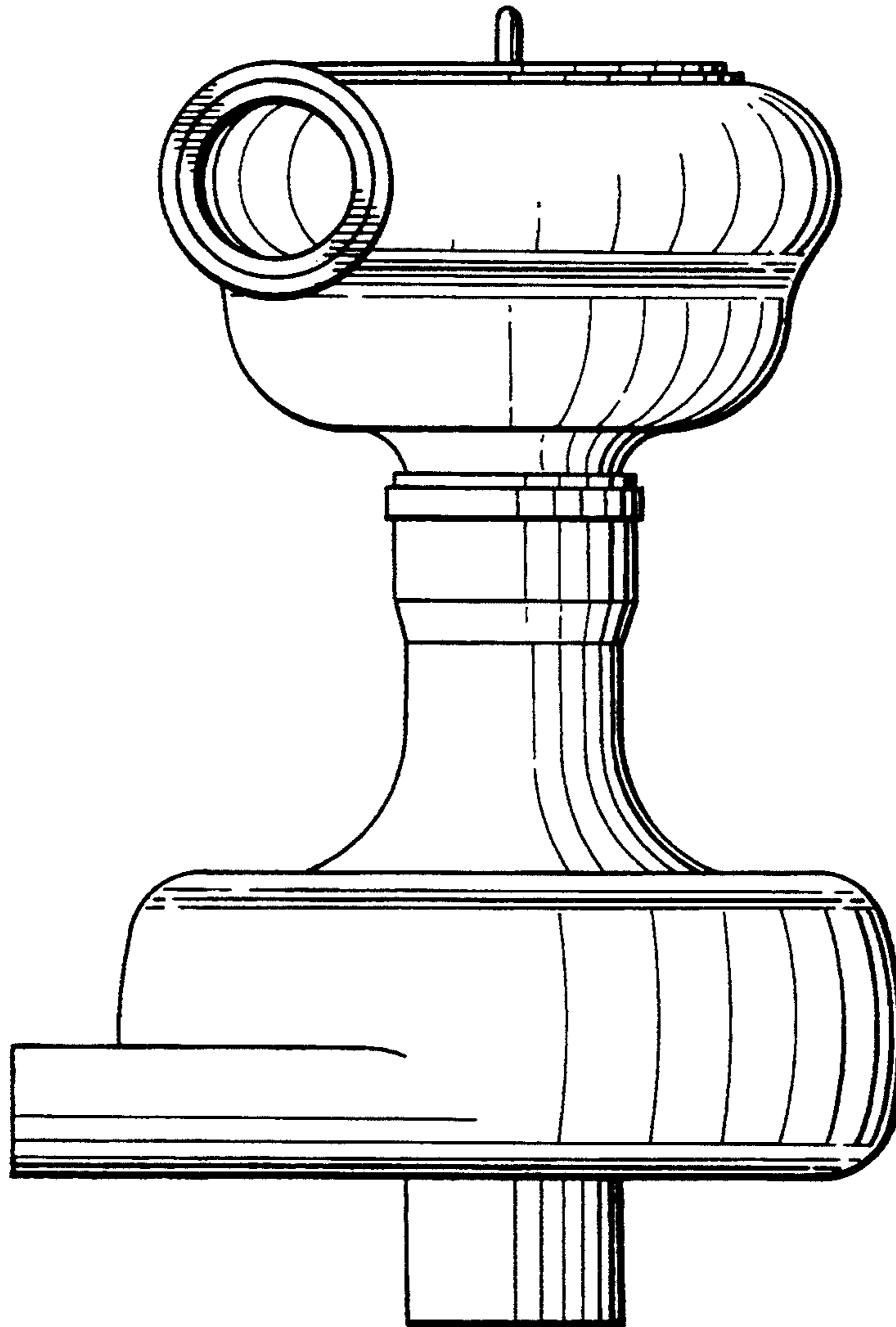


FIG. 5

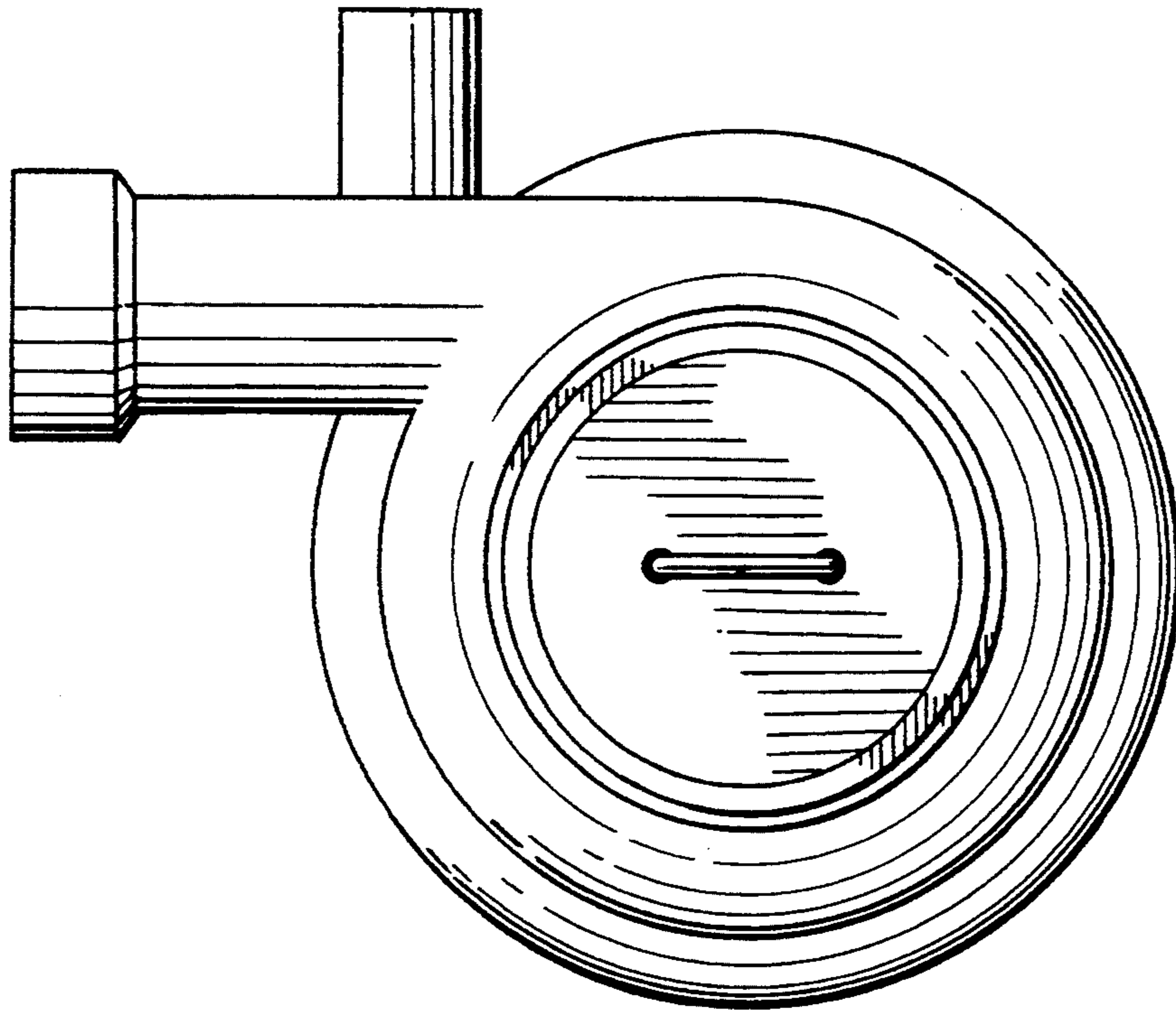


FIG. 6

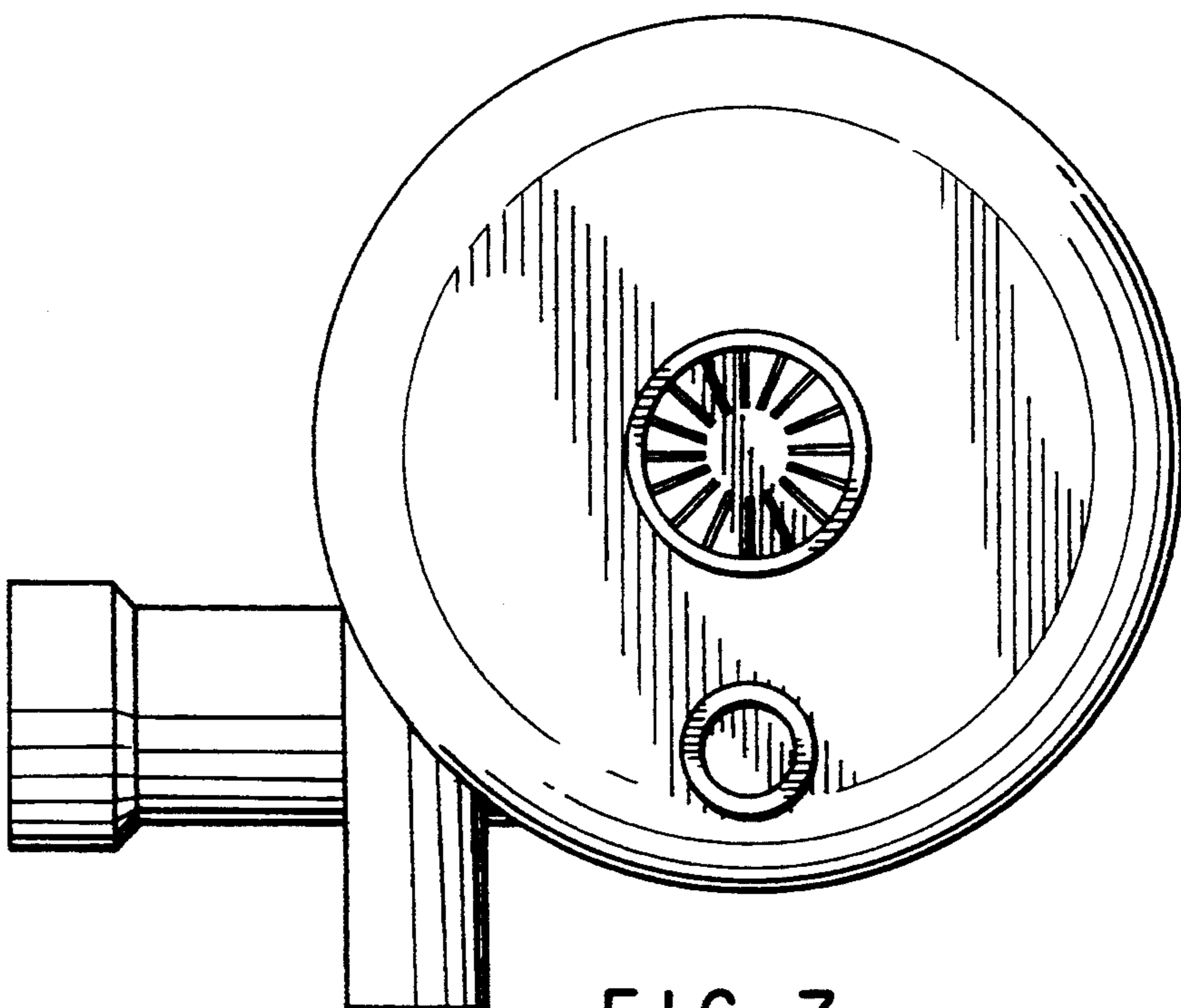


FIG. 7

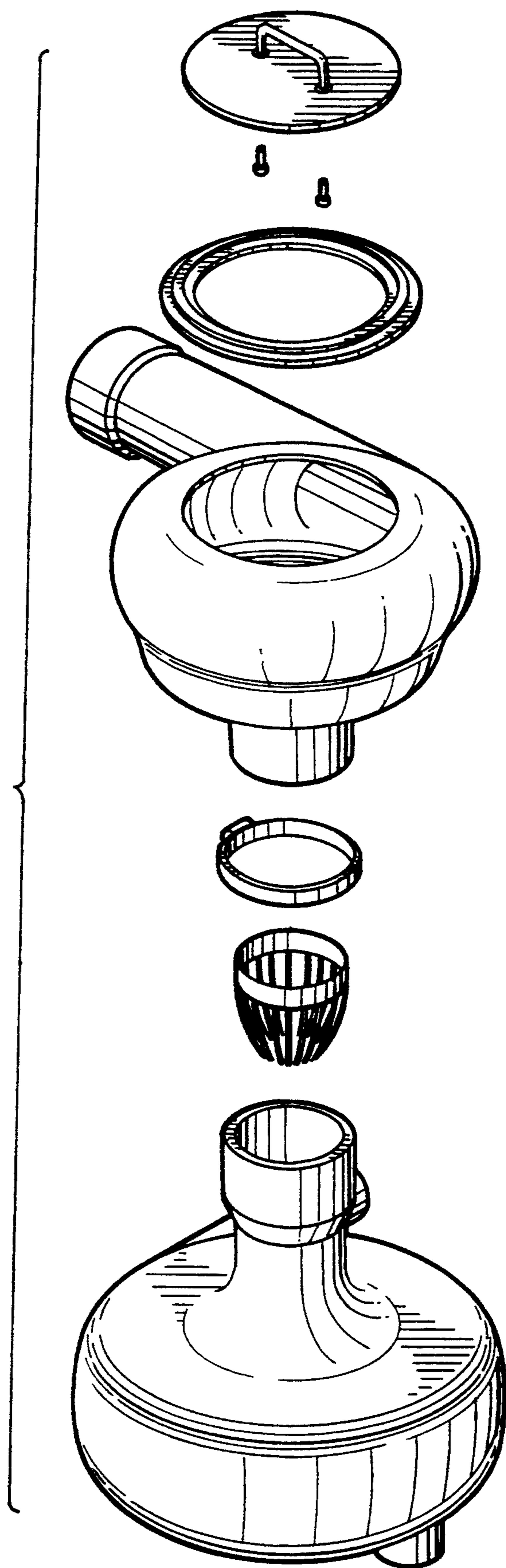


FIG. 8

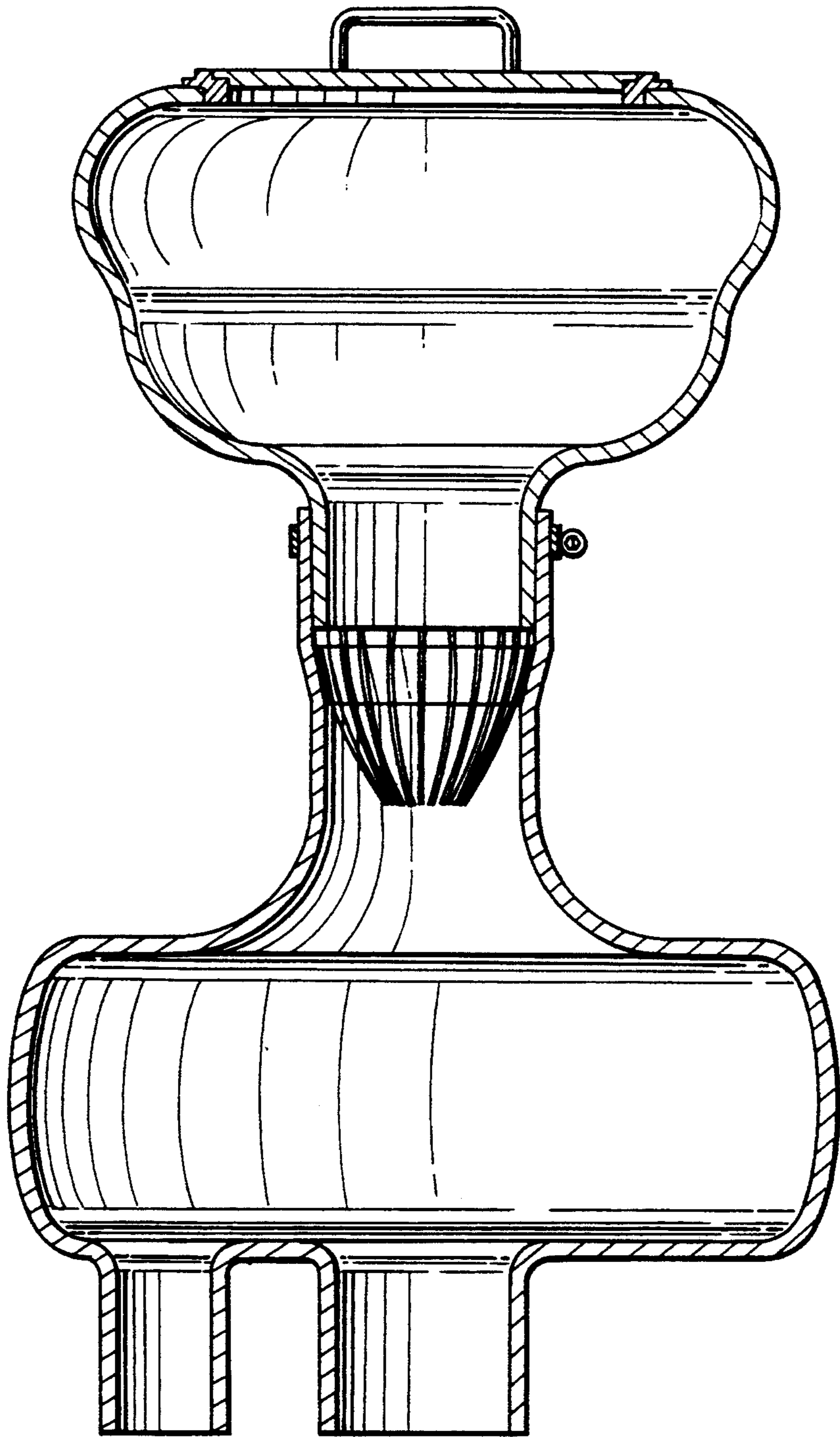


FIG. 9

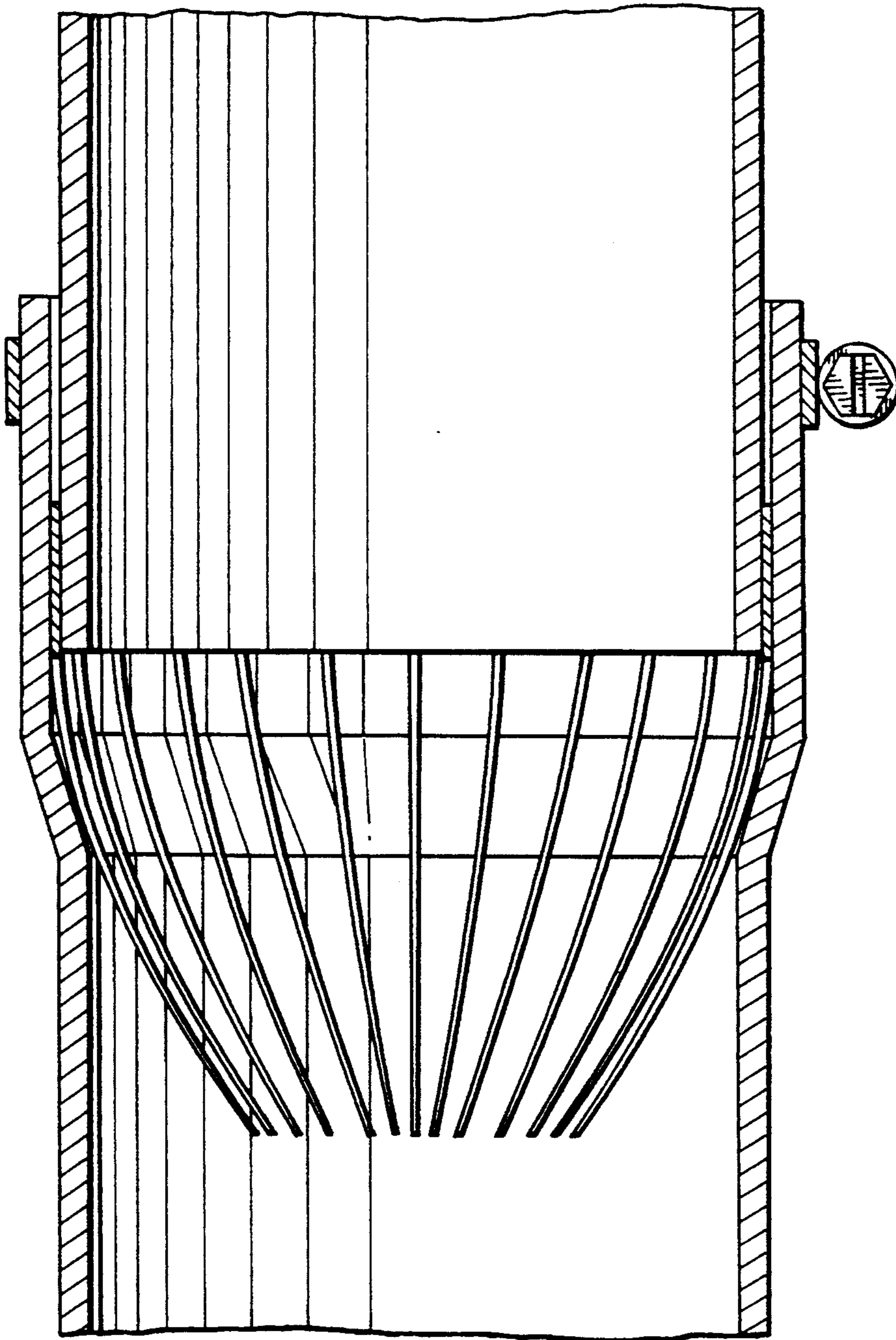


FIG. 10

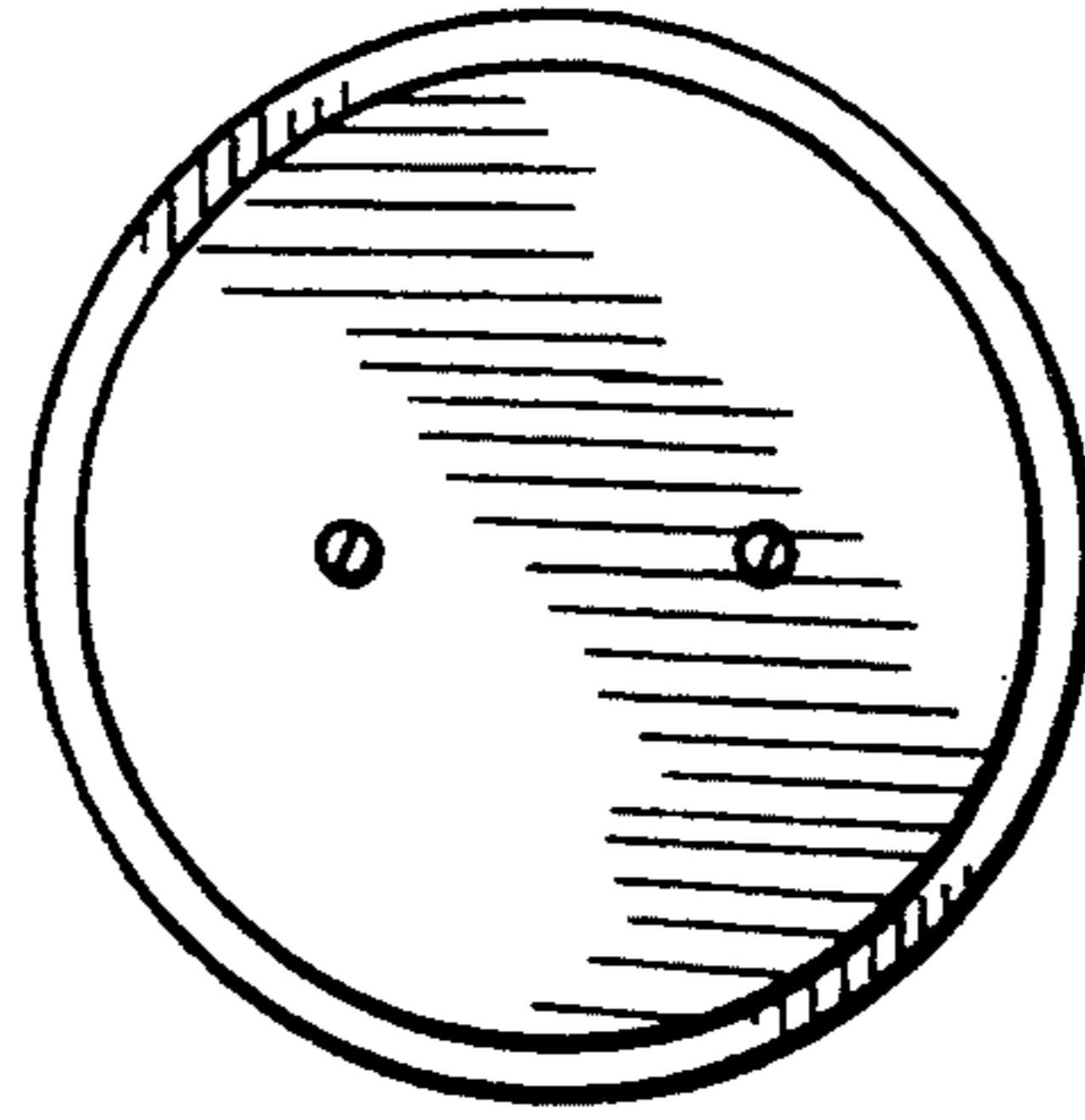


FIG. 11

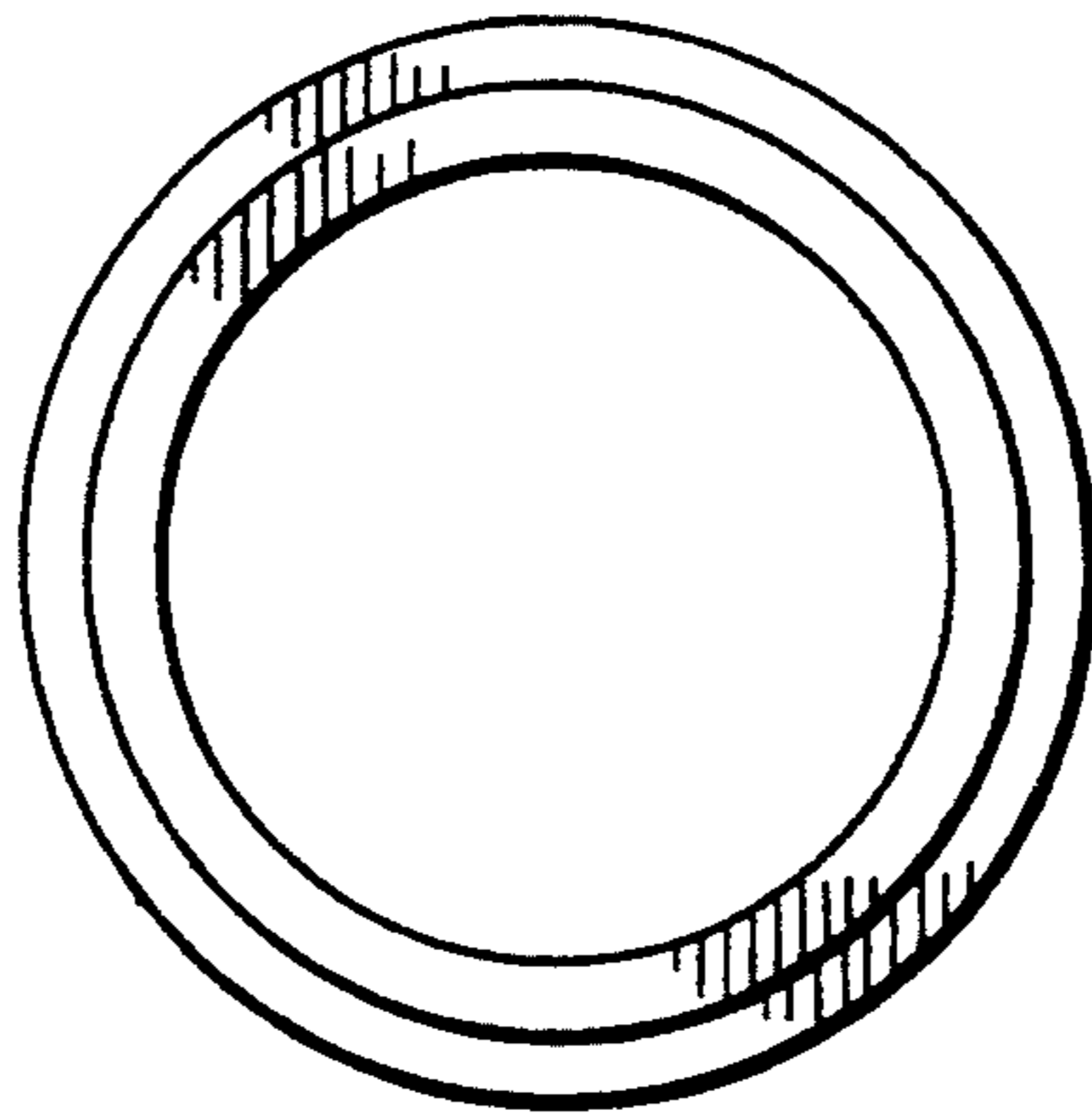


FIG. 12

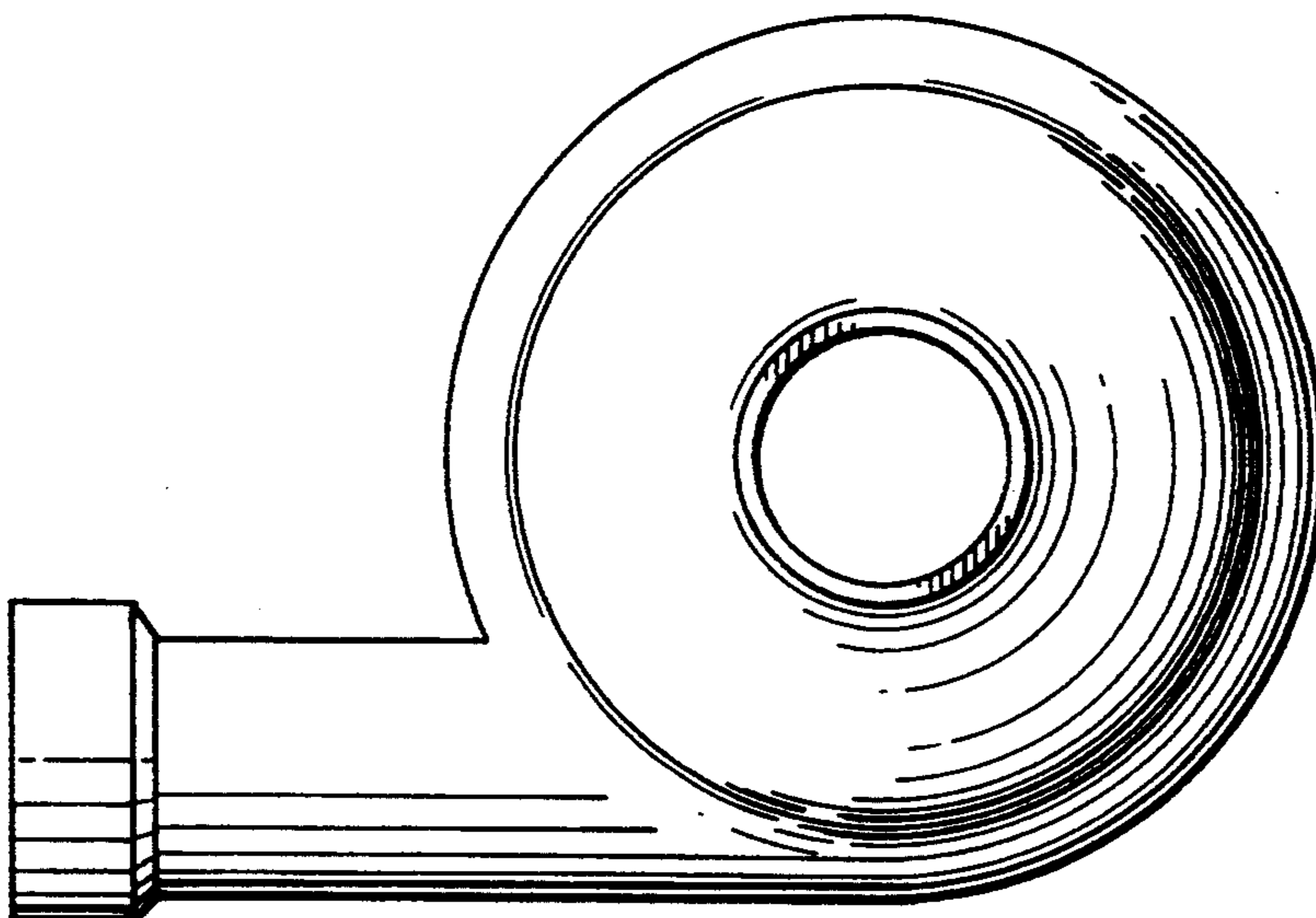


FIG. 13

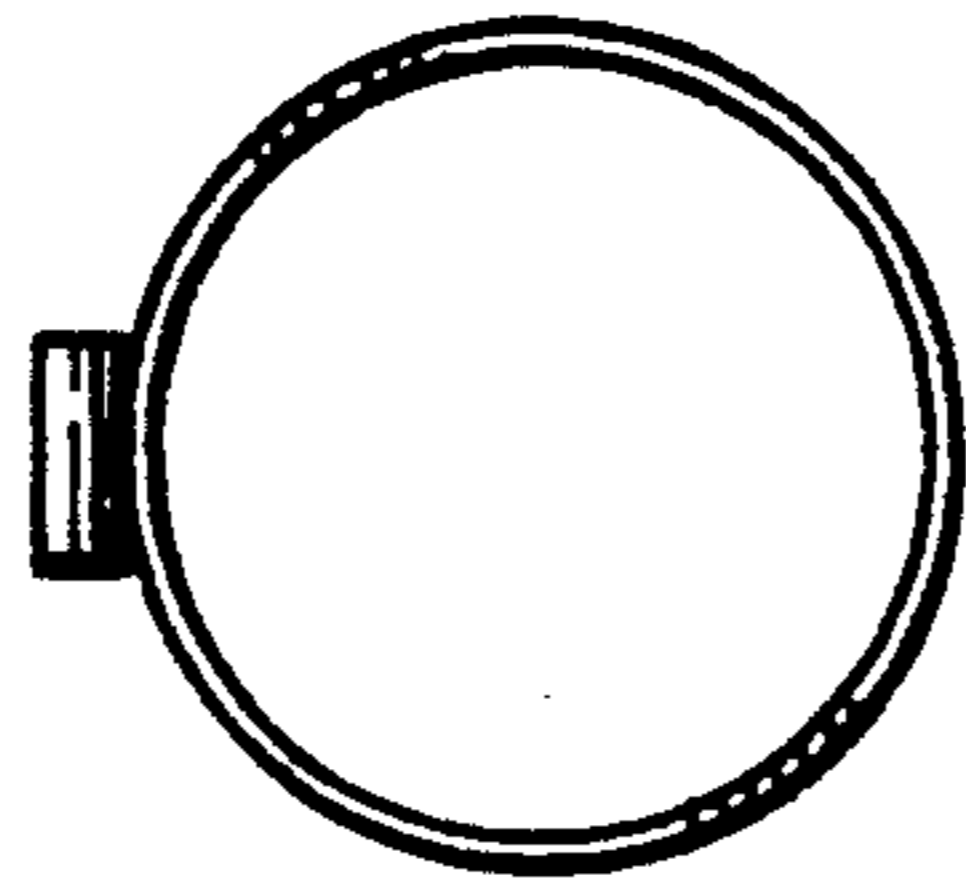


FIG. 14

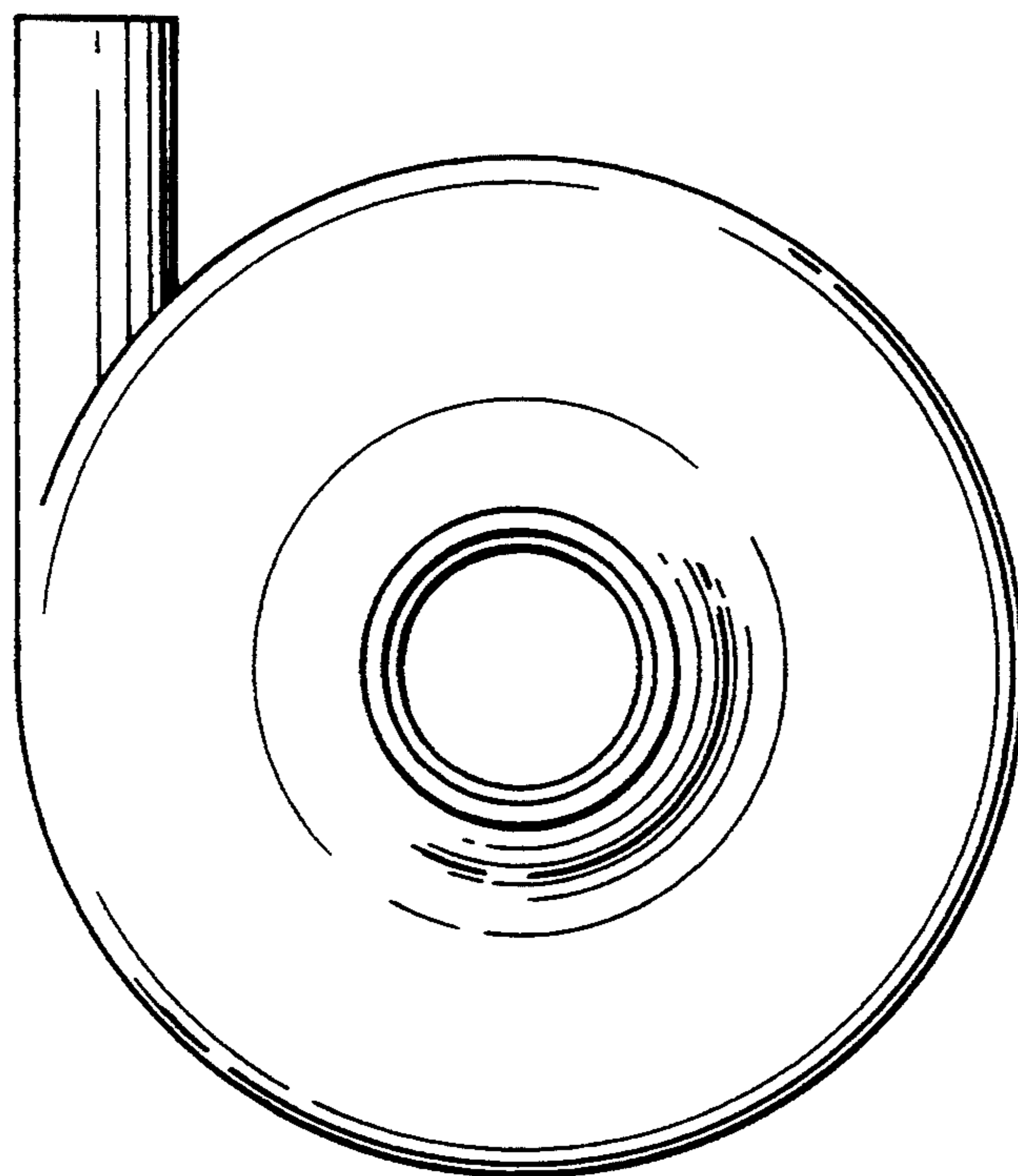


FIG. 15