



US00D356621S

United States Patent [19]

[11] Patent Number: **Des. 356,621**

Furomoto

[45] Date of Patent: **** Mar. 21, 1995**

[54] **ROTARY FRAME FOR SPINNING REEL**

D. 285,823 9/1986 Iinuma et al. D22/141

[75] Inventor: **Yoshiyuki Furomoto, Osaka, Japan**

D. 327,112 6/1992 Myojo D22/141

[73] Assignee: **Shimano Inc., Osaka, Japan**

D. 329,907 9/1992 Yui D22/141

[*] Notice: The portion of the term of this patent subsequent to Jan. 31, 2009 has been disclaimed.

5,246,186 9/1993 Sugawara 242/232

[**] Term: **14 Years**

Primary Examiner—A. Hugo Word

Assistant Examiner—Doris V. Coles

Attorney, Agent, or Firm—Dickstein, Shapiro & Morin

[21] Appl. No.: **926,955**

[57] **CLAIM**

The ornamental design for a rotary frame for spinning reel, as shown and described.

[22] Filed: **Aug. 10, 1992**

DESCRIPTION

[52] U.S. Cl. **D22/141**

FIG. 1 is a top plan view of a rotary frame for spinning reel, showing my new design;

[58] Field of Search D22/141; 242/230, 232, 242/233, 311

FIG. 2 is a front view thereof;

FIG. 3 is a bottom view thereof;

FIG. 4 is a left side view thereof;

FIG. 5 is a rear view thereof;

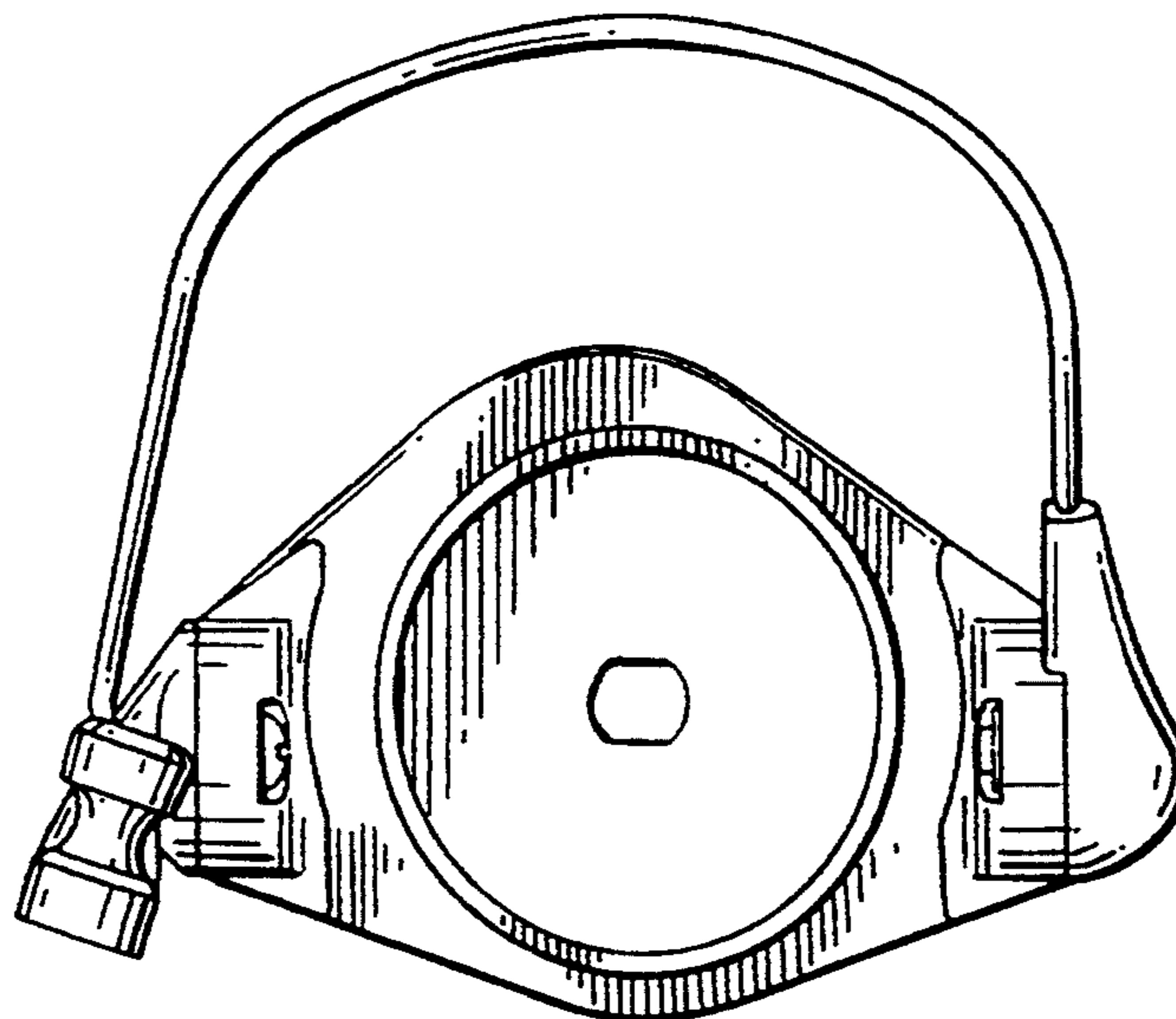
FIG. 6 is a right side view thereof; and,

FIG. 7 is a top front, perspective view thereof.

[56] **References Cited**

U.S. PATENT DOCUMENTS

D. 273,975 5/1984 Sakumoto et al. D22/141



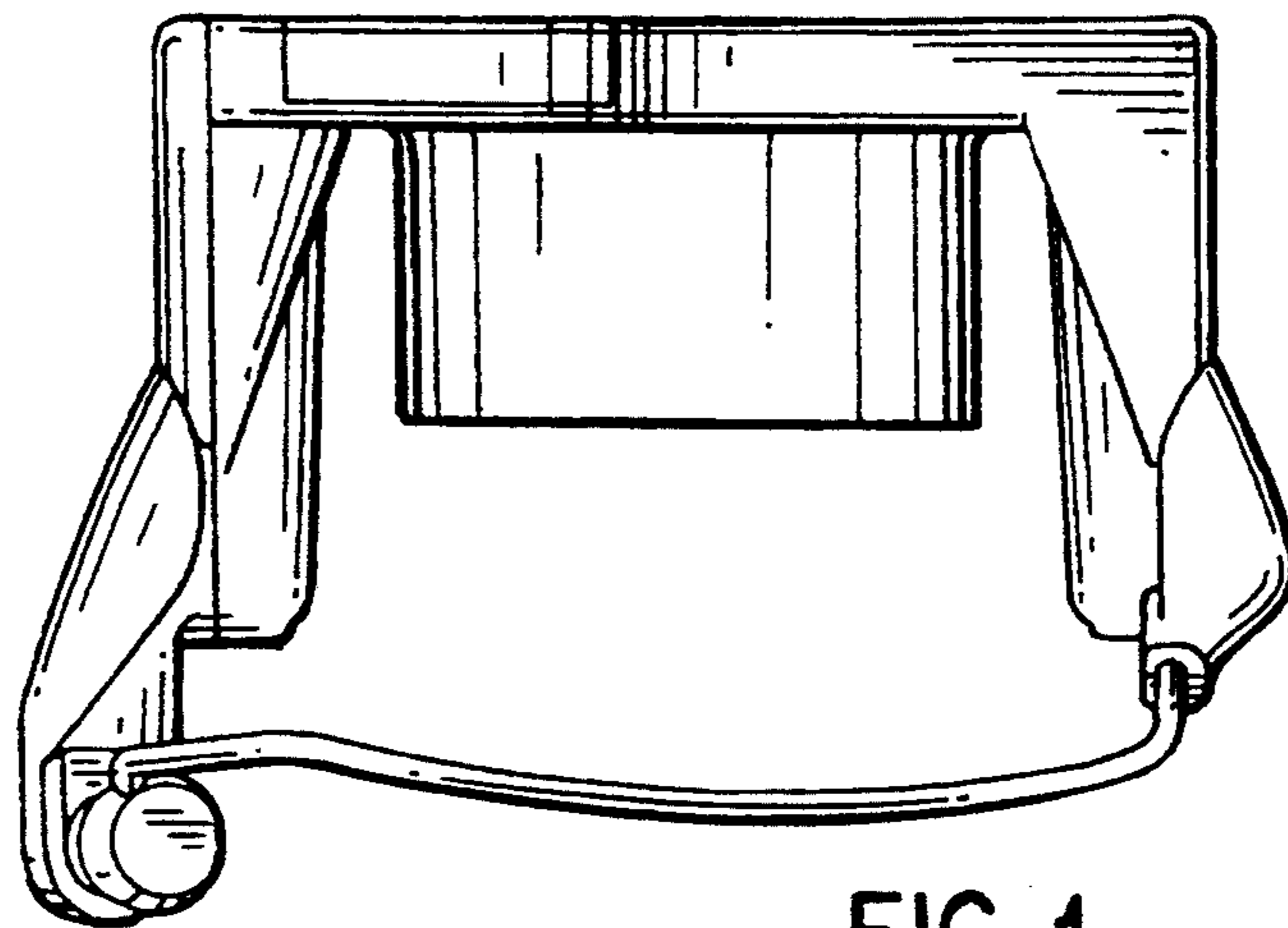


FIG. 1

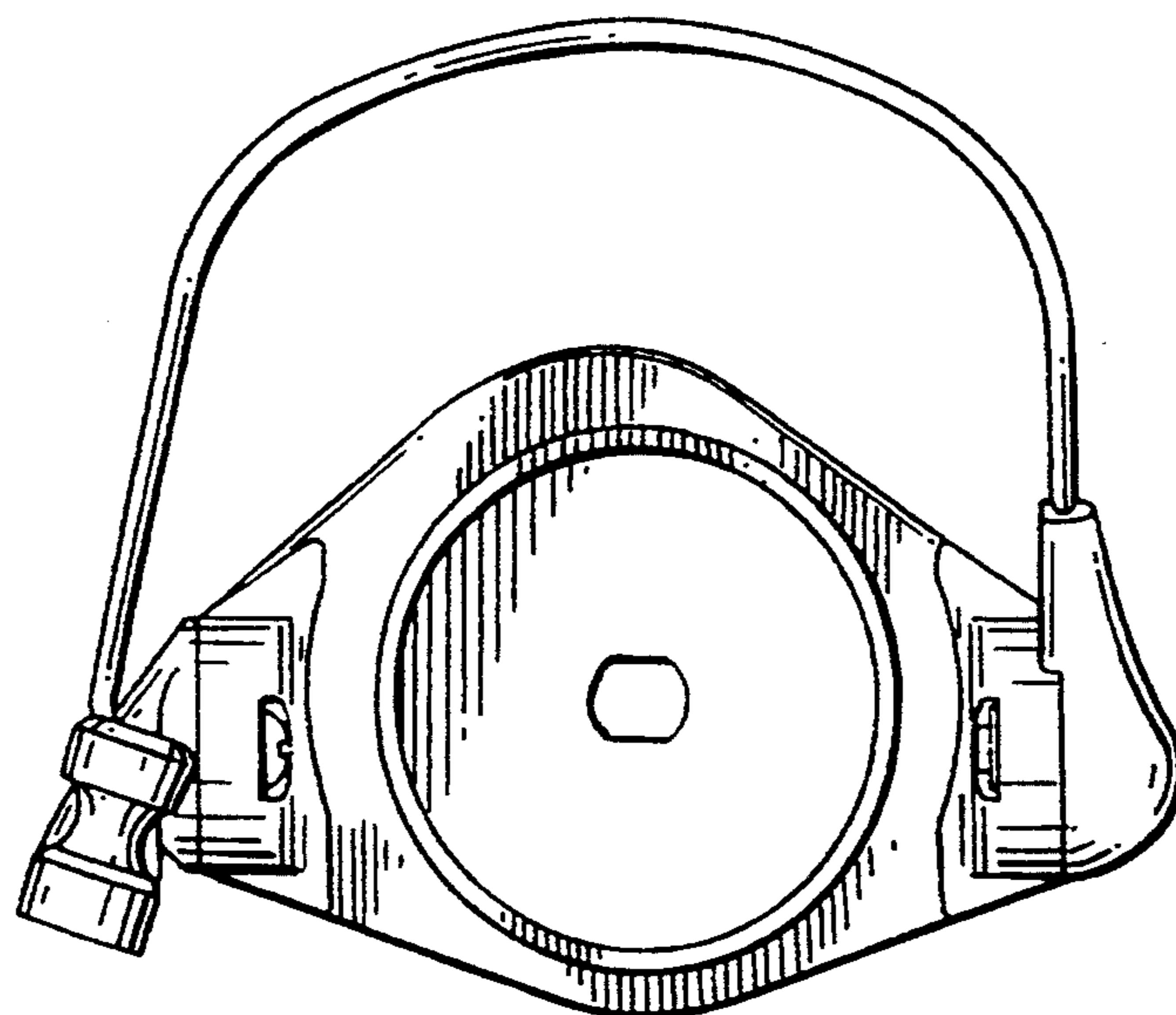


FIG. 2

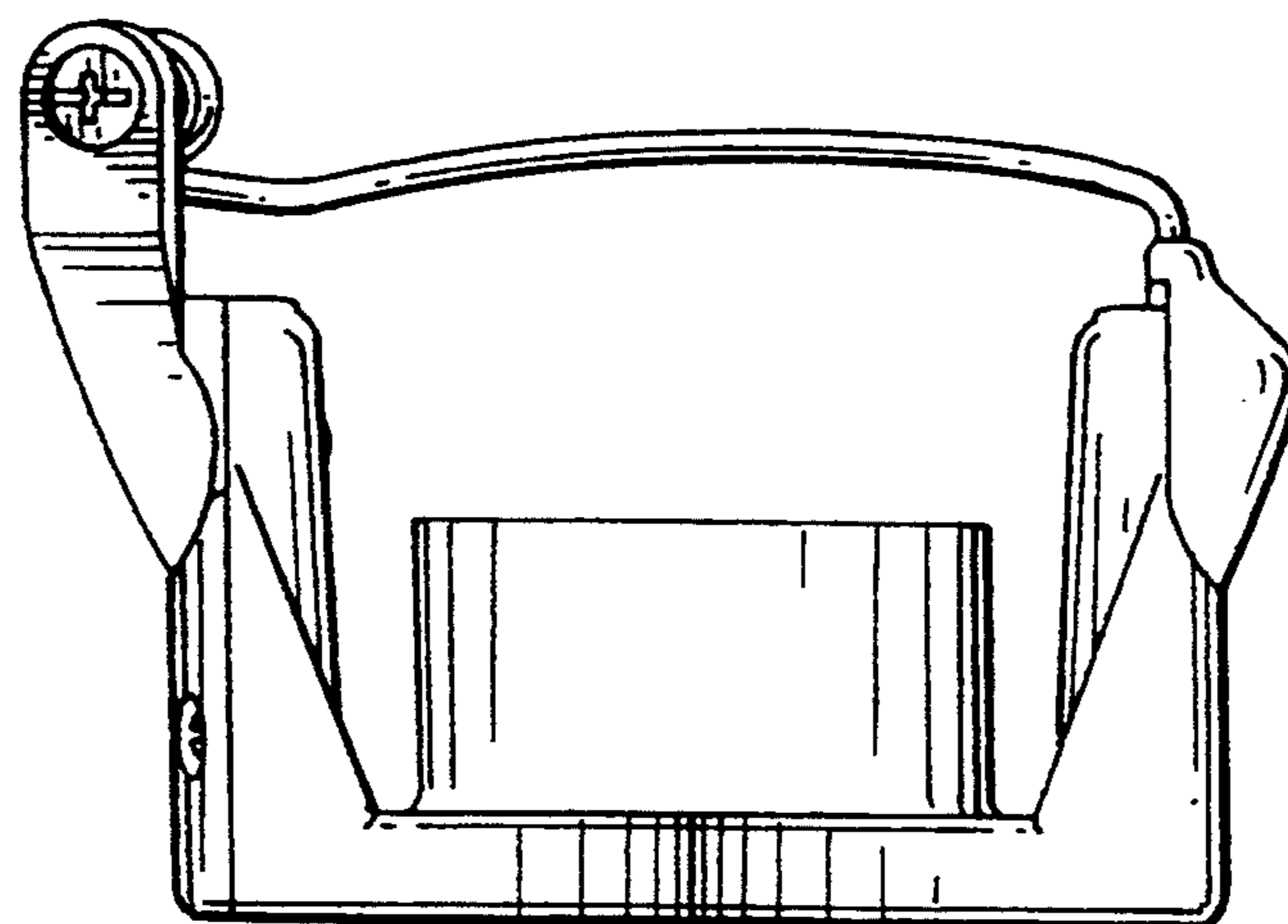


FIG. 3

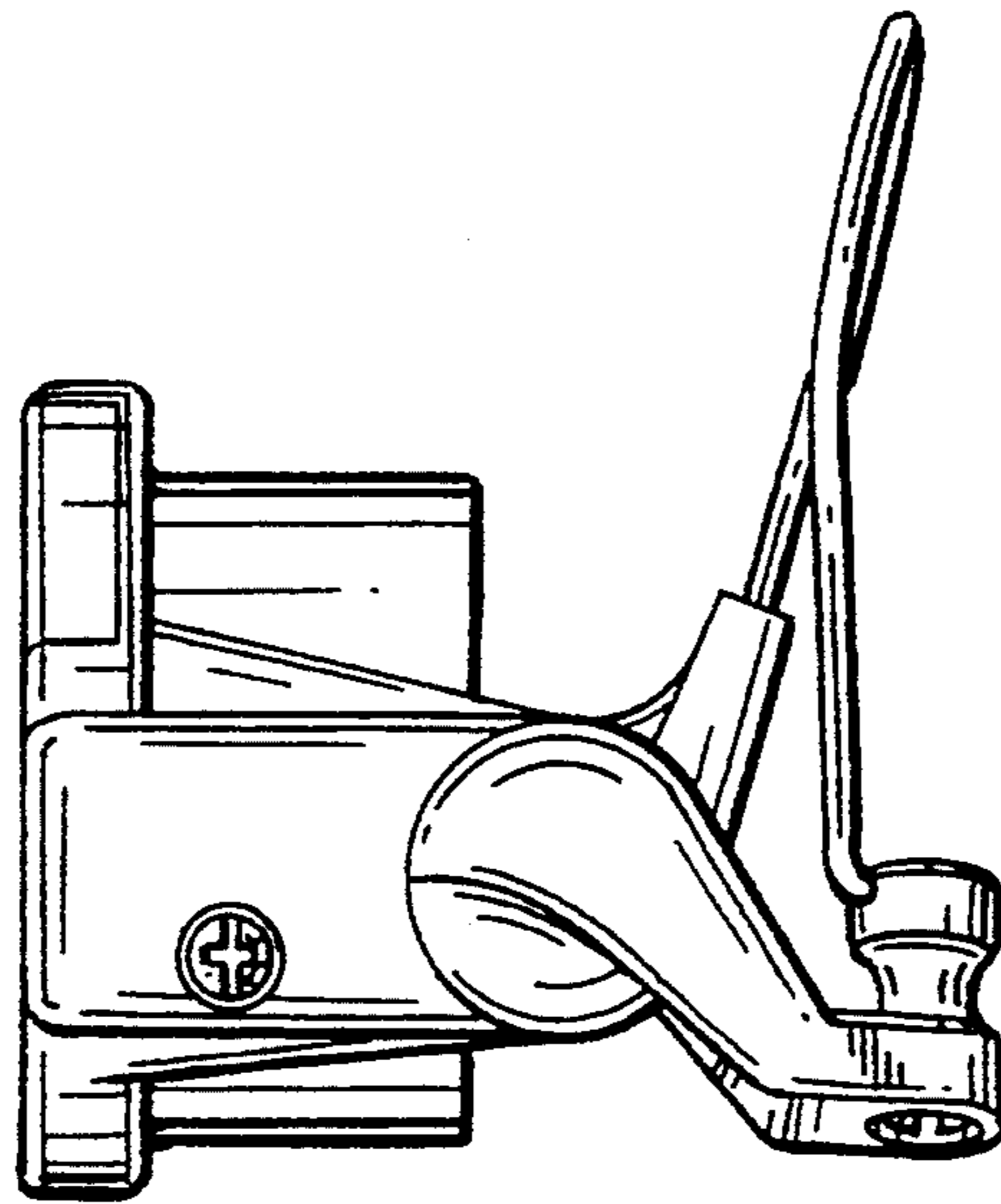


FIG. 4

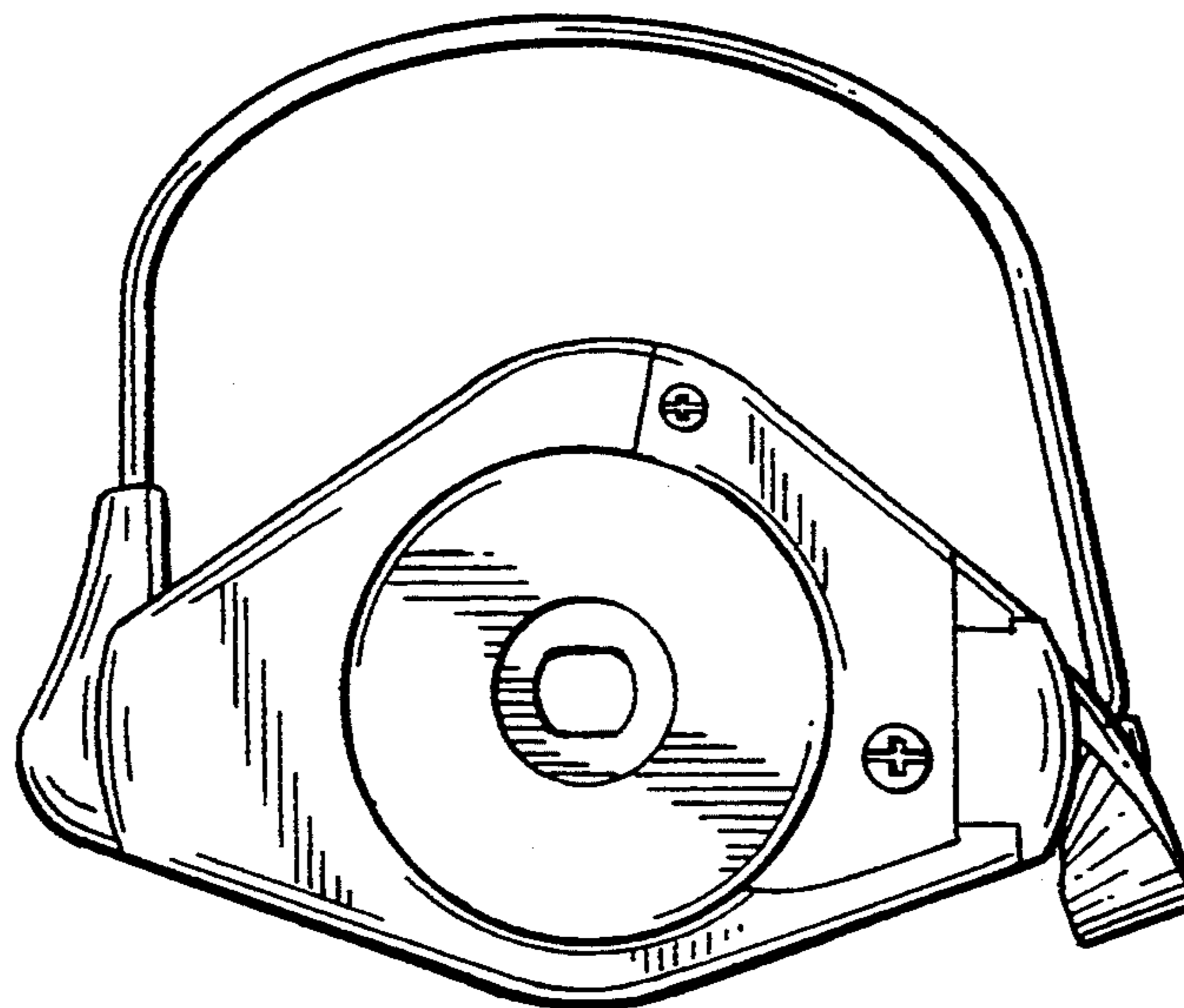


FIG. 5

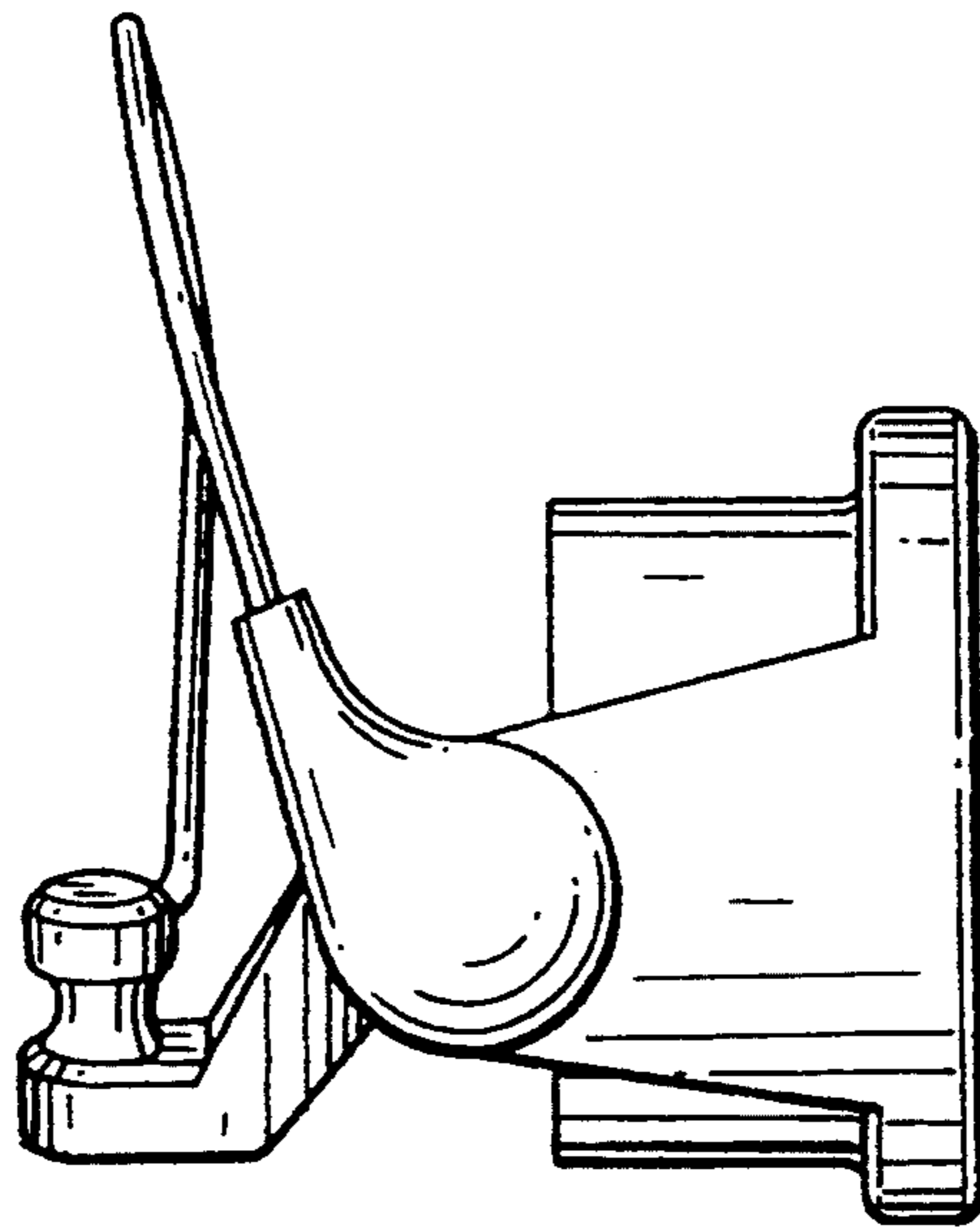


FIG. 6

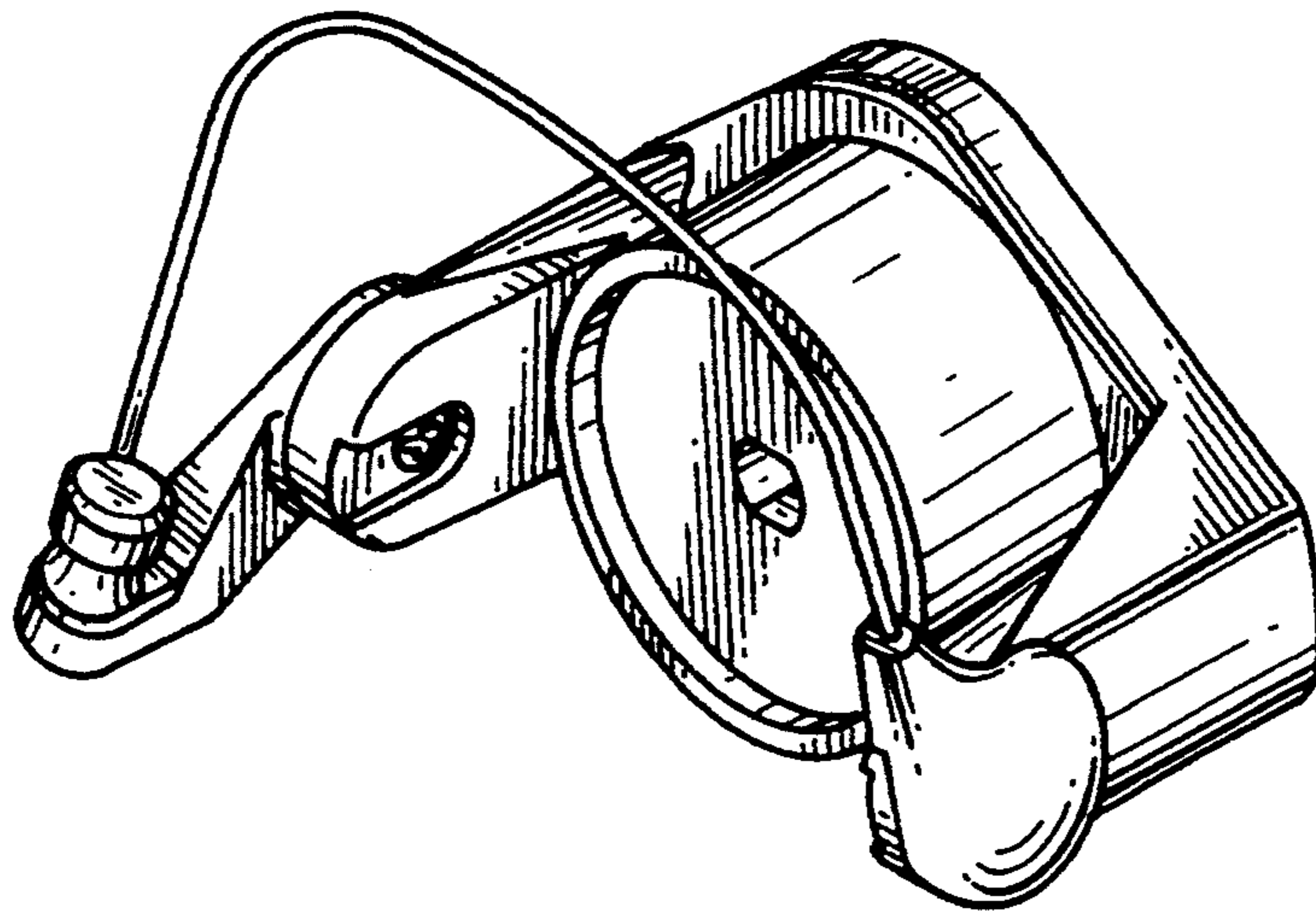


FIG. 7