



US00D356619S

# United States Patent [19]

[11] Patent Number: **Des. 356,619**

Shull et al.

[45] Date of Patent: **\*\* Mar. 21, 1995**

[54] **AMUSEMENT RIDE CAR**

[75] Inventors: **James H. Shull, Santa Clarita; Rennie M. Rau Marquez, Pasadena; Joseph A. Lanzisero, Burbank, all of Calif.**

[73] Assignee: **The Walt Disney Company, Burbank, Calif.**

[\*\*] Term: **14 Years**

[21] Appl. No.: **5,964**

[22] Filed: **Mar. 19, 1993**

[52] U.S. Cl. .... **D21/250**

[58] Field of Search ..... **D21/240-250, D21/68, 76; 446/93, 95, 85; 472/29**

[56] **References Cited**

**U.S. PATENT DOCUMENTS**

- D. 44,345 7/1913 Newton ..... D21/68
- D. 225,872 1/1973 Burke ..... D21/250
- 1,877,661 9/1932 Heisler et al. .... 446/95

**OTHER PUBLICATIONS**

Toy Fair, 1973 as shown.

*Primary Examiner*—Prabhakar G. Deshmukh  
*Attorney, Agent, or Firm*—Richard S. Erbe

[57] **CLAIM**

The ornamental design for an amusement ride car, as shown and described.

**DESCRIPTION**

FIG. 1 is a right side elevational view of a first embodiment of an amusement ride car embodying our new design;

FIG. 2 is a left side elevational view thereof;

FIG. 3 is a front elevational view thereof;

FIG. 4 is a rear elevational view thereof;

FIG. 5 is a top plan view thereof;

FIG. 6 is a right side elevational view of a second embodiment of an amusement ride car embodying our new design;

FIG. 7 is a left side elevational view thereof;

FIG. 8 is a front elevational view thereof;

FIG. 9 is a top plan view thereof;

FIG. 10 is a right side elevational view of a third embodiment of an amusement ride car embodying our new design;

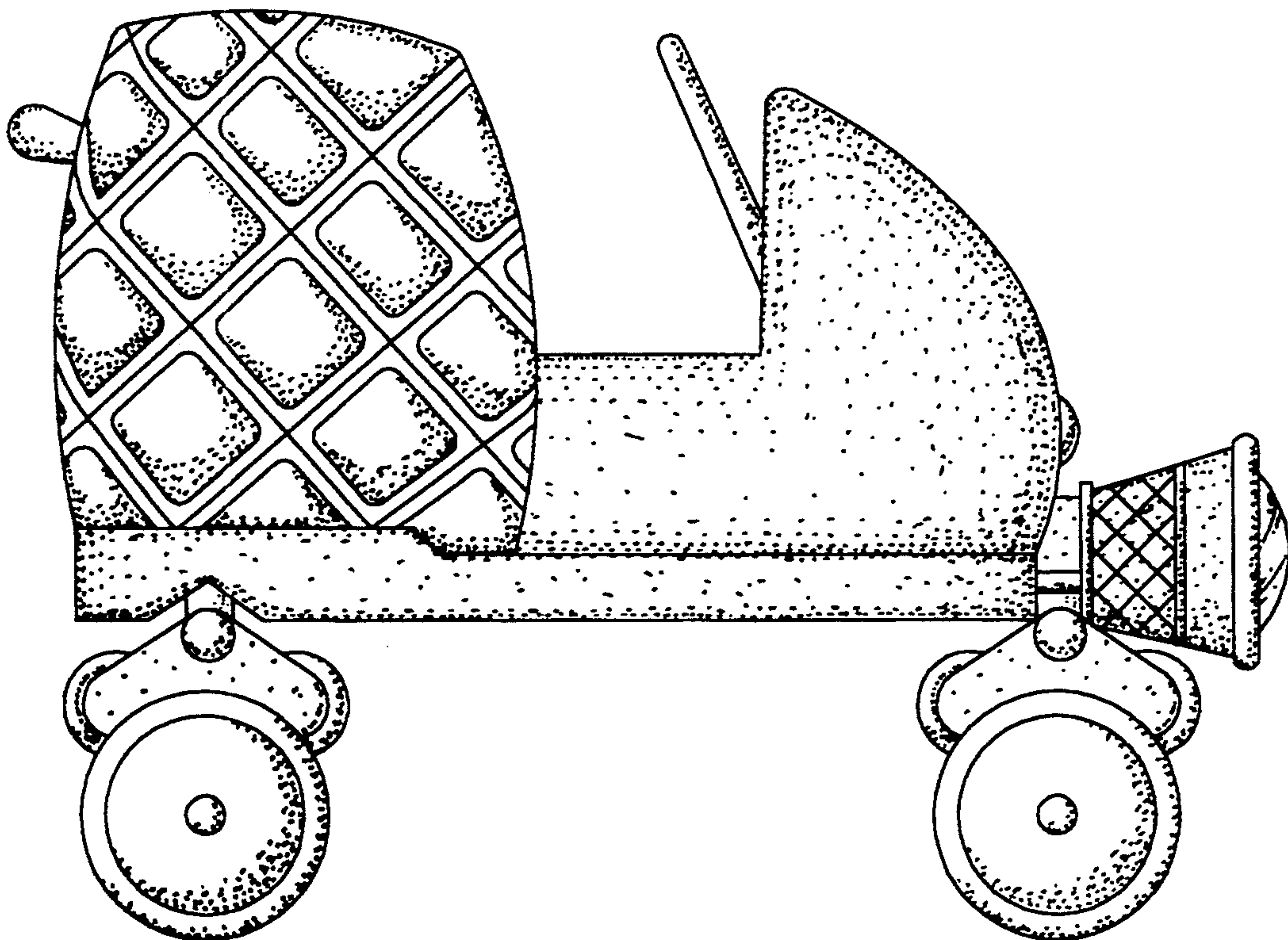
FIG. 11 is a left side elevational view thereof;

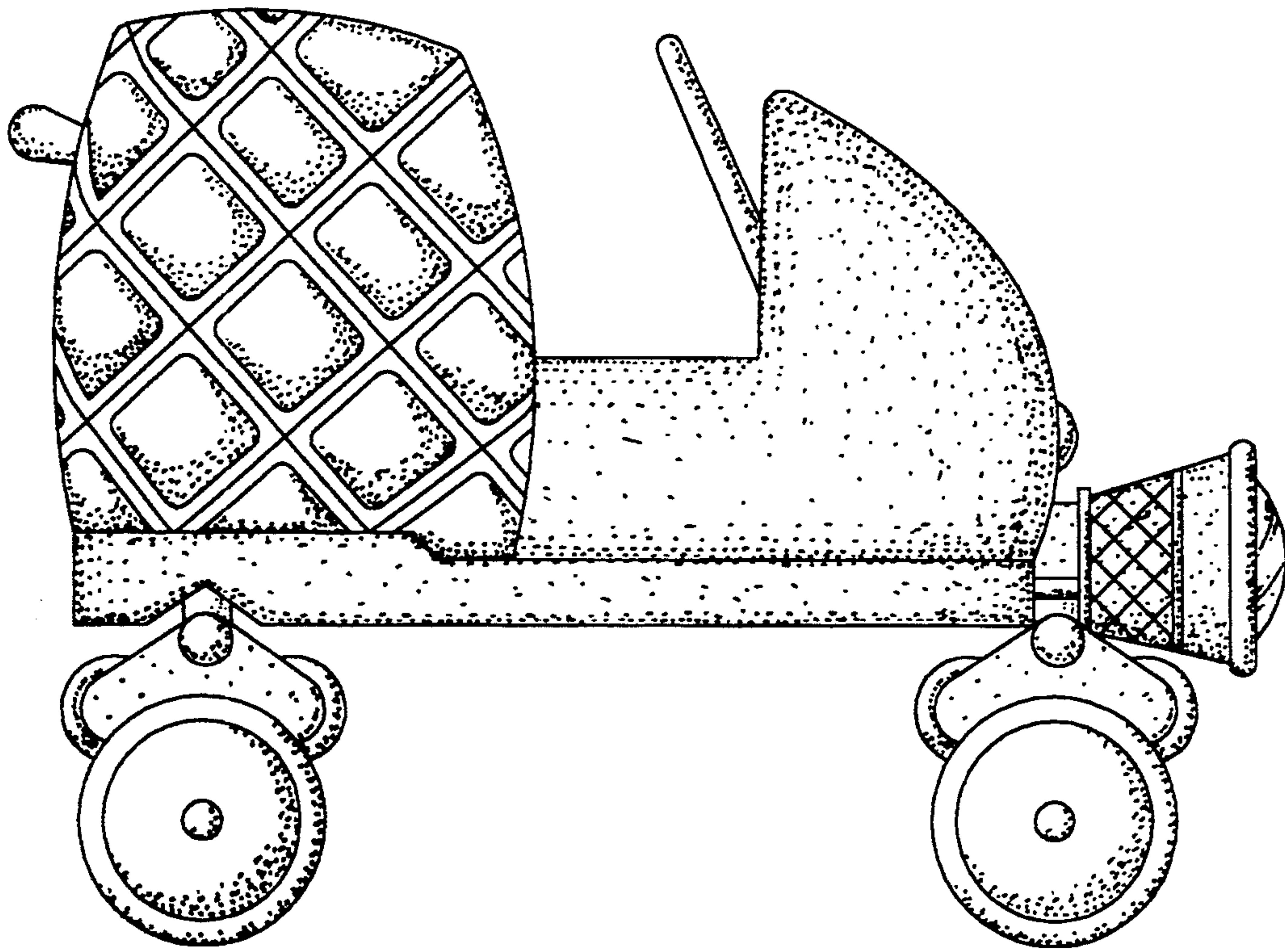
FIG. 12 is a rear elevational view thereof; and,

FIG. 13 is a top plan view thereof.

The rear view of the first embodiment (FIGS. 1-5 inclusive) and the second embodiment (FIGS. 6-9 inclusive) is the same as disclosed in FIG. 4.

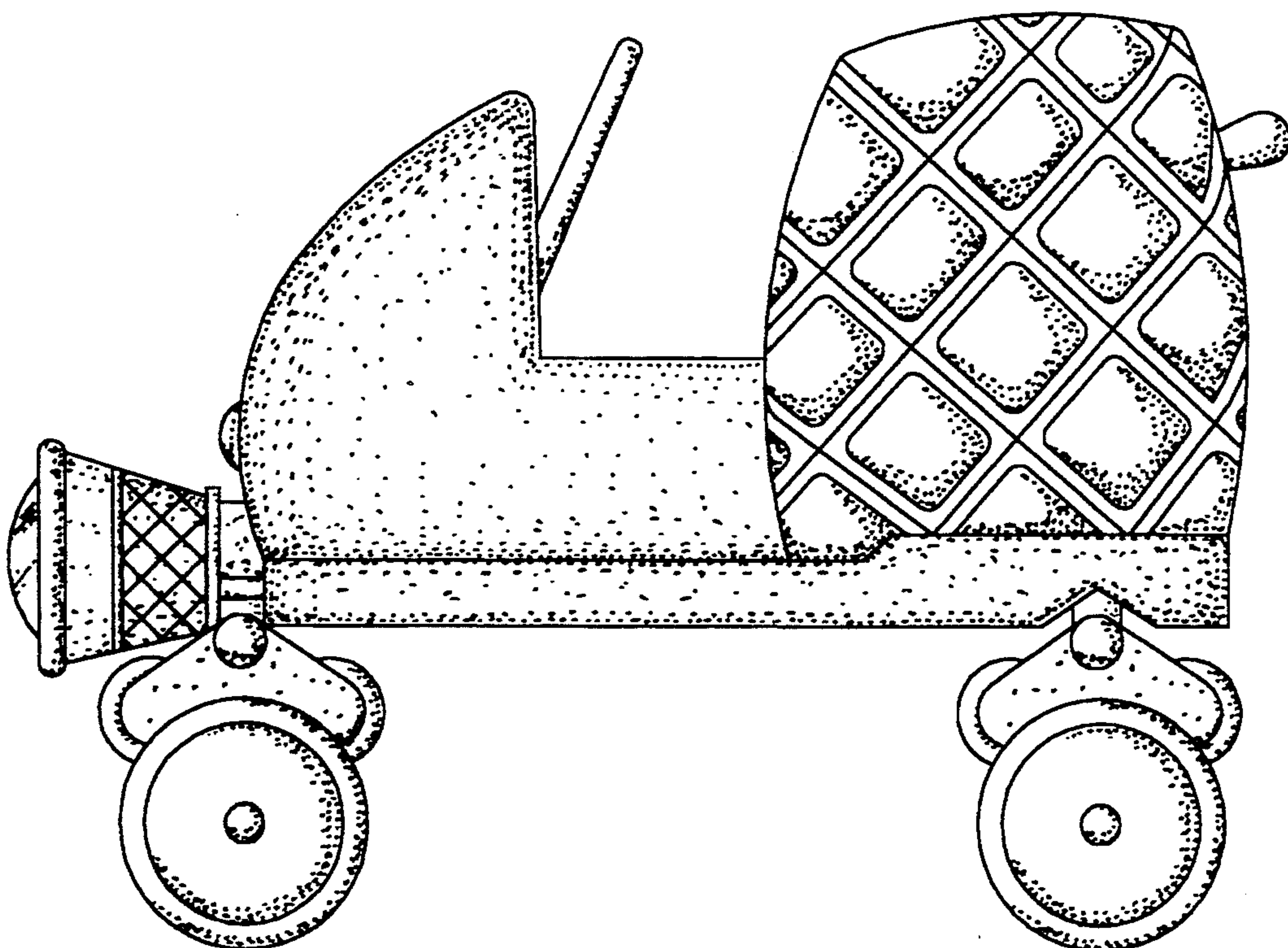
The front view of the second embodiment (FIGS. 6-9 inclusive) and the third embodiment (FIGS. 10-13 inclusive) is the same as disclosed in FIG. 8.



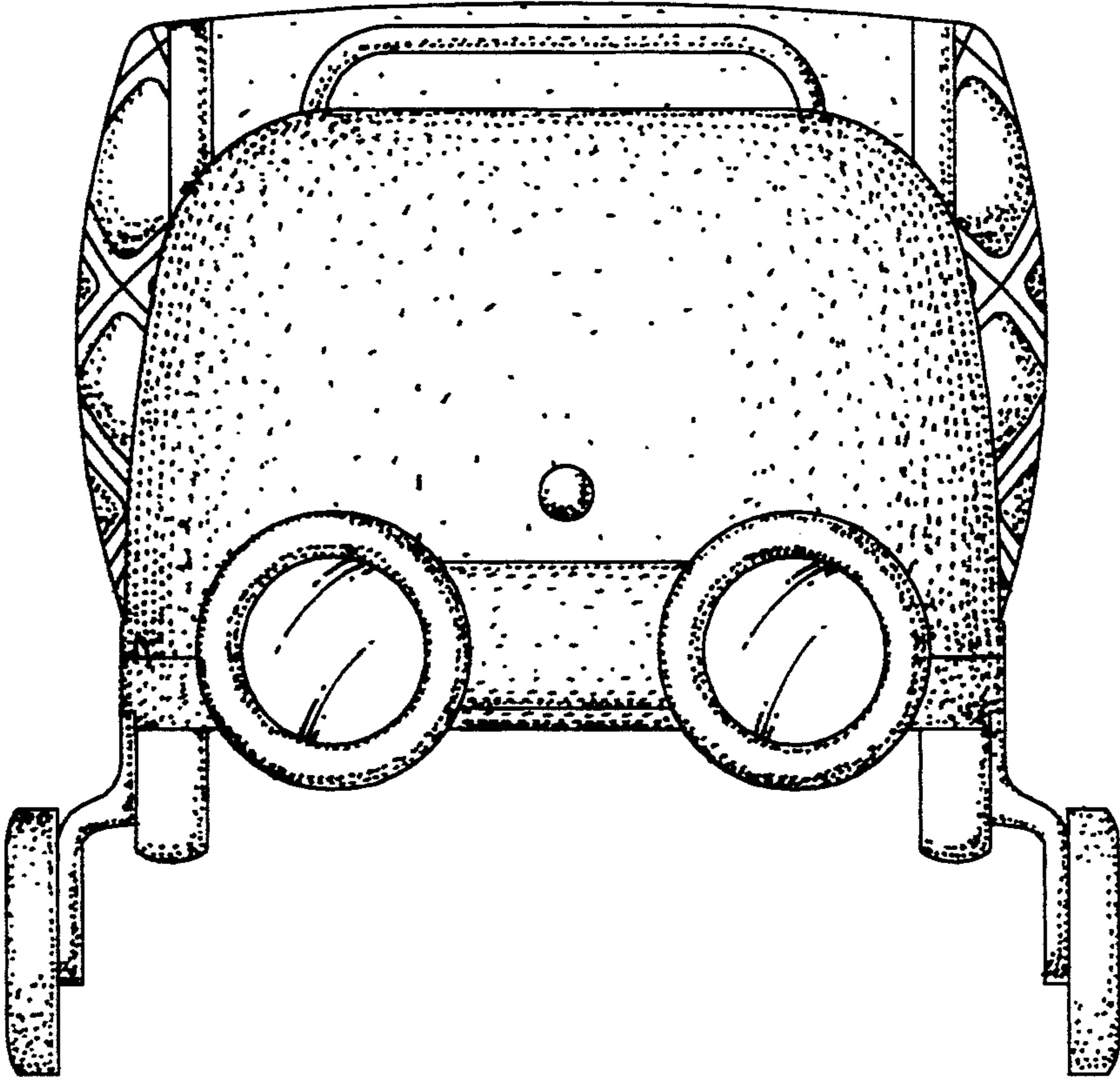


*FIG. 1*

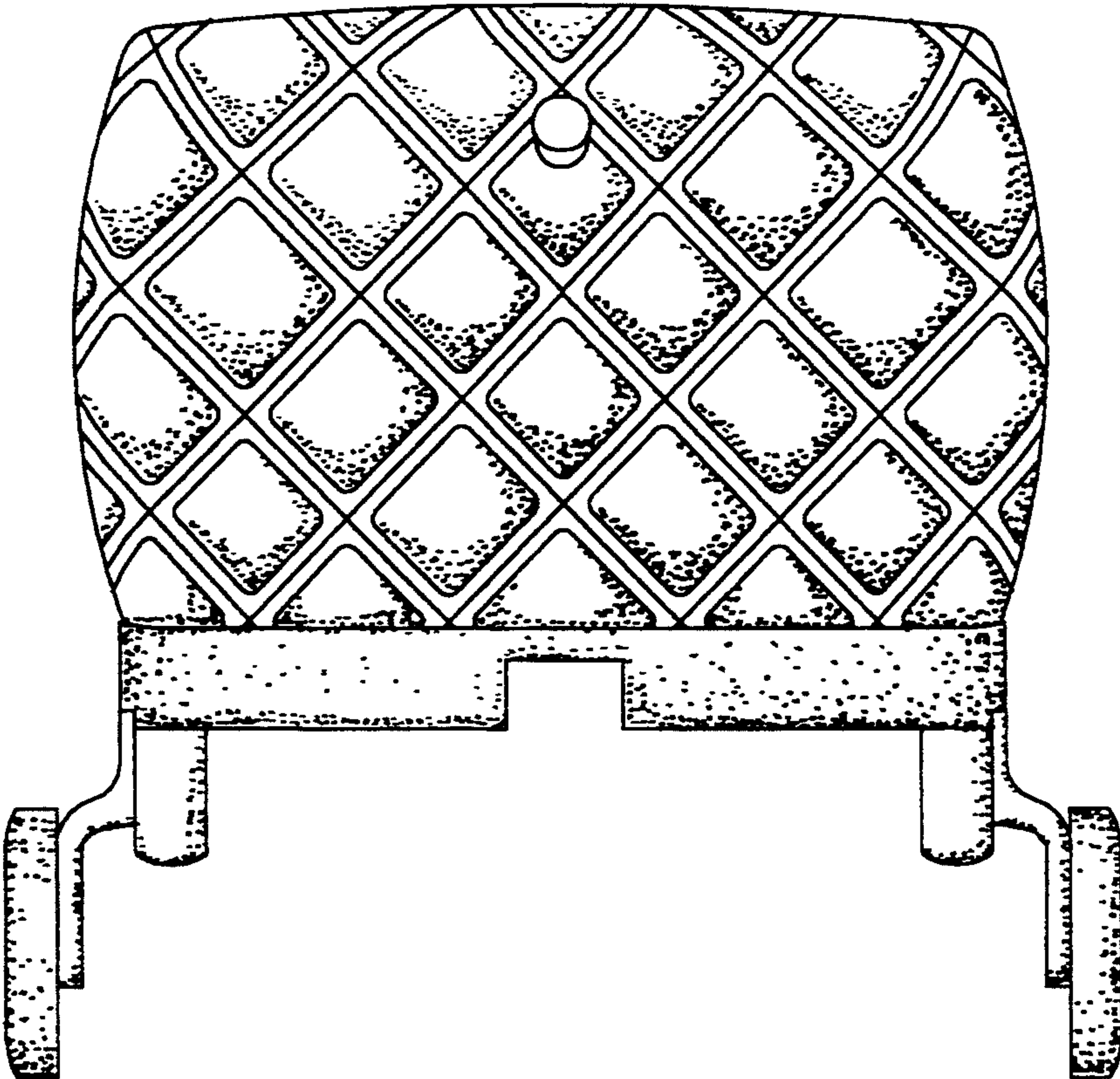
*FIG. 2*





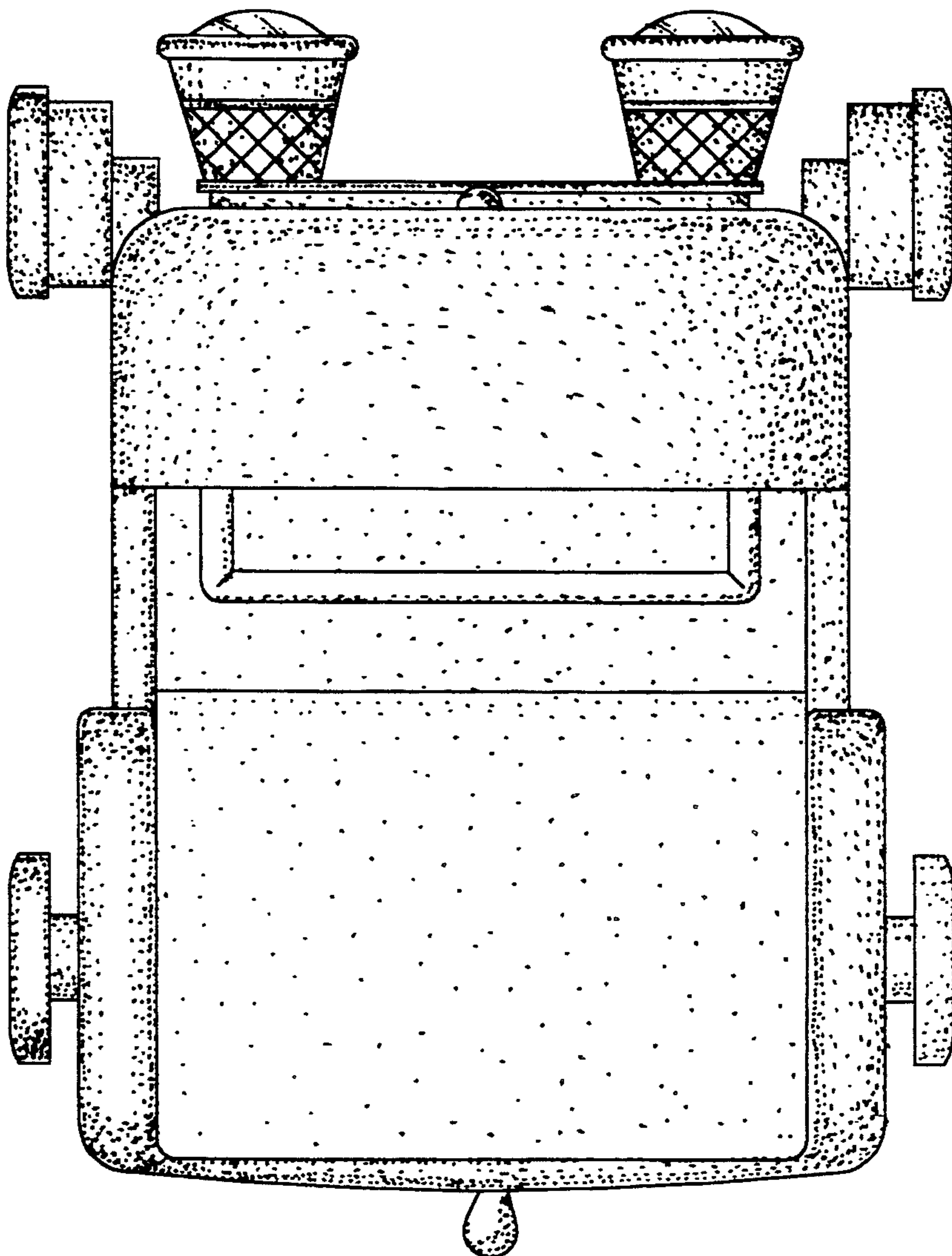


*FIG. 3*

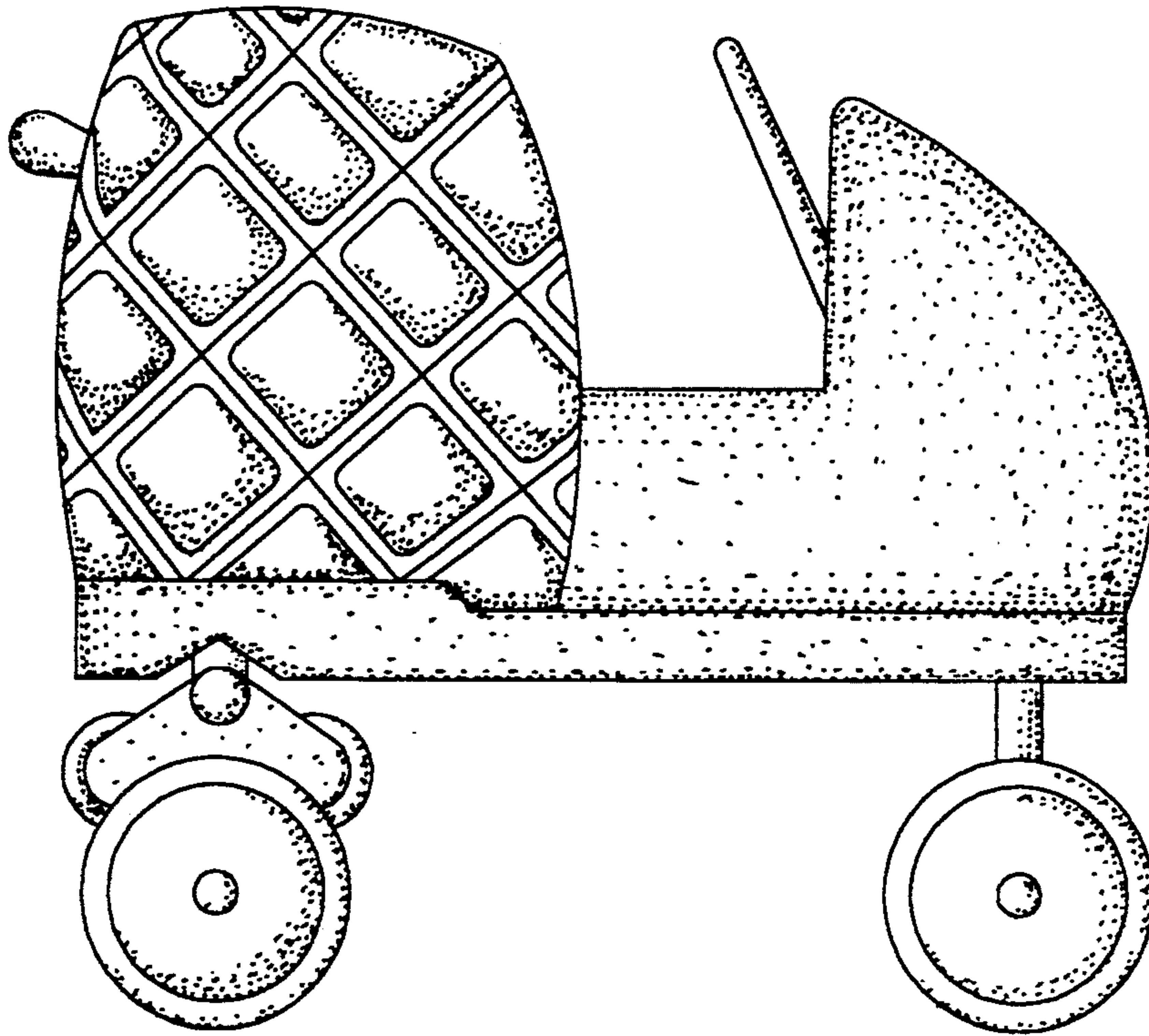


*FIG. 4*

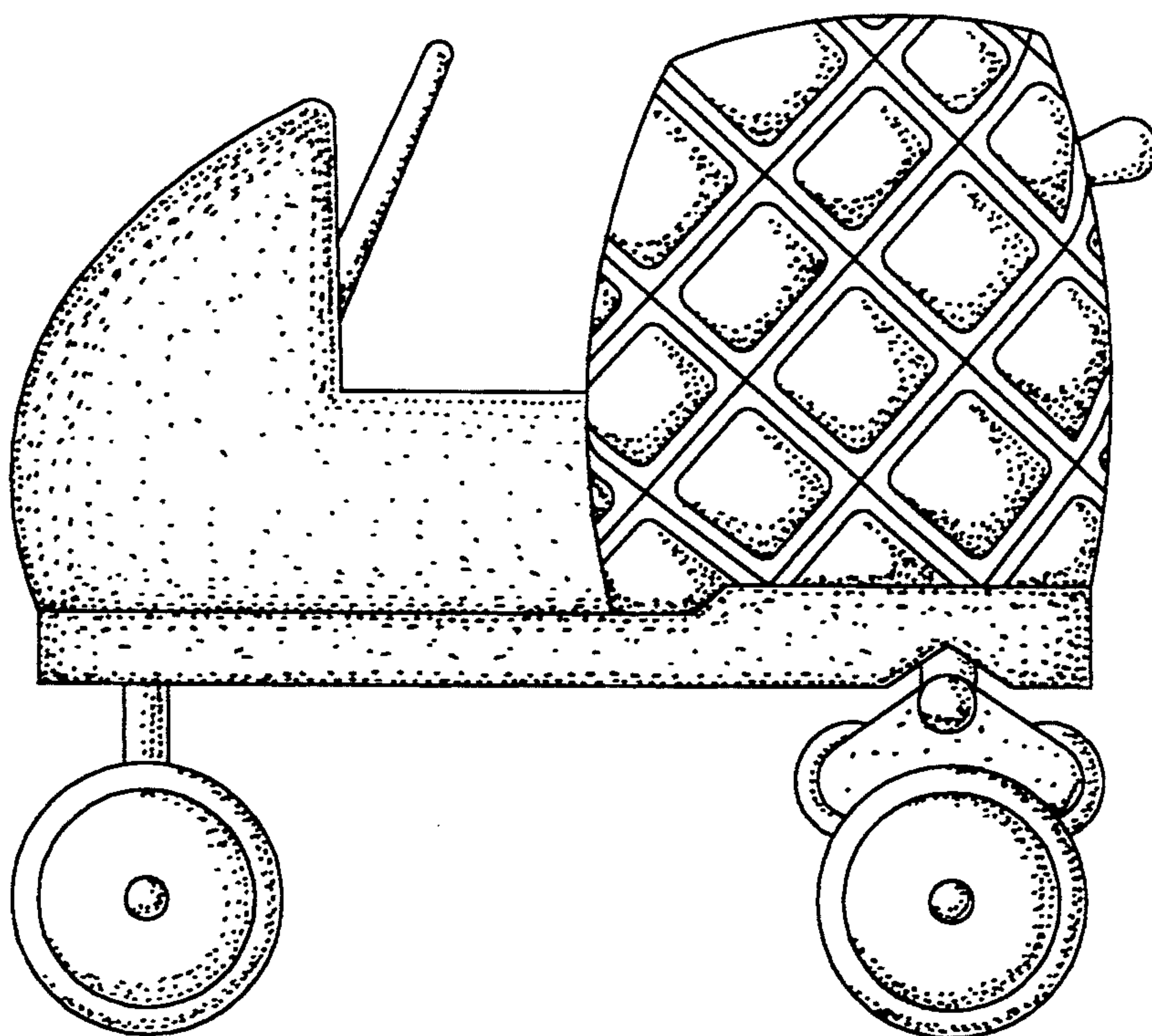
FIG. 5



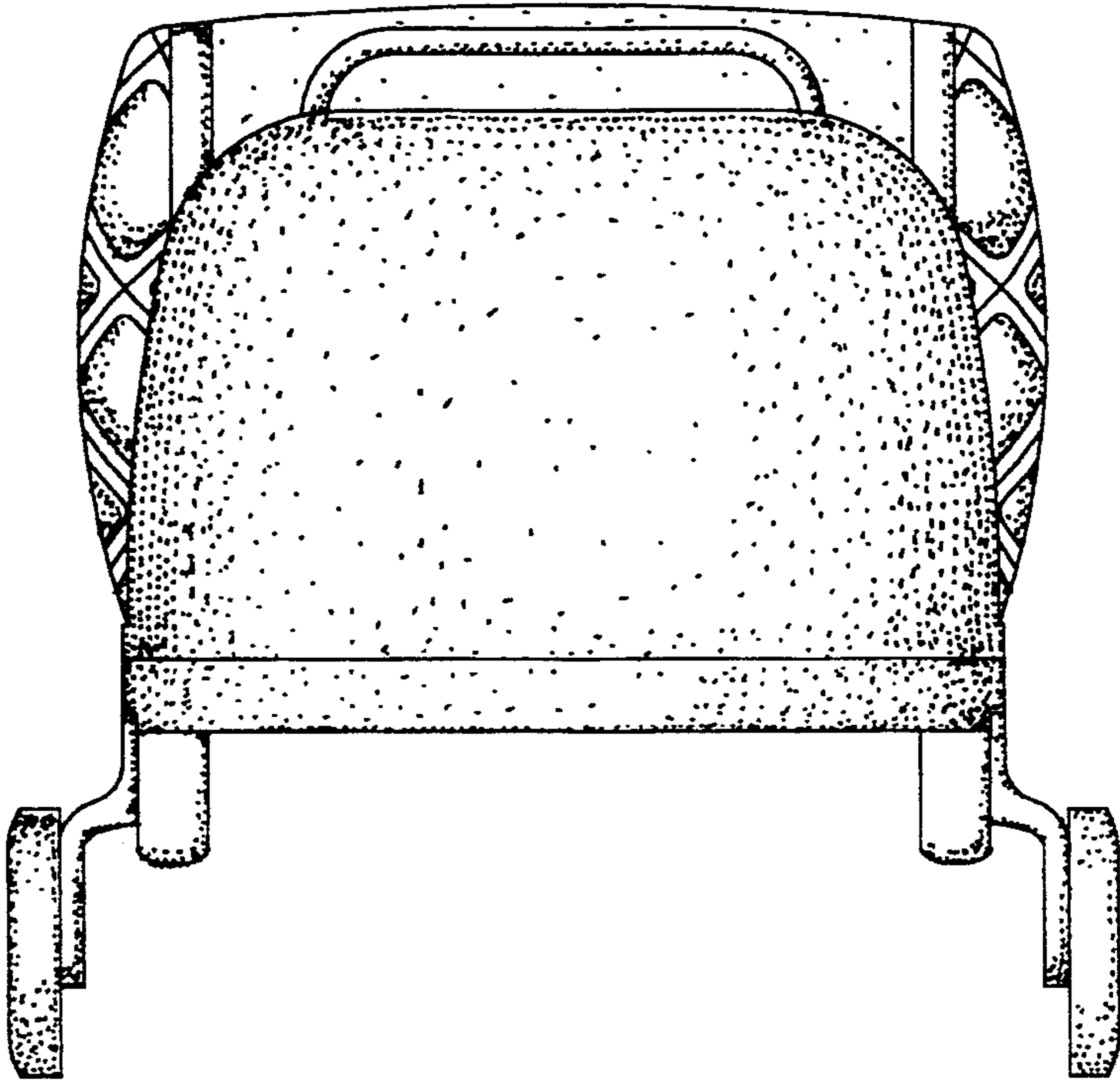




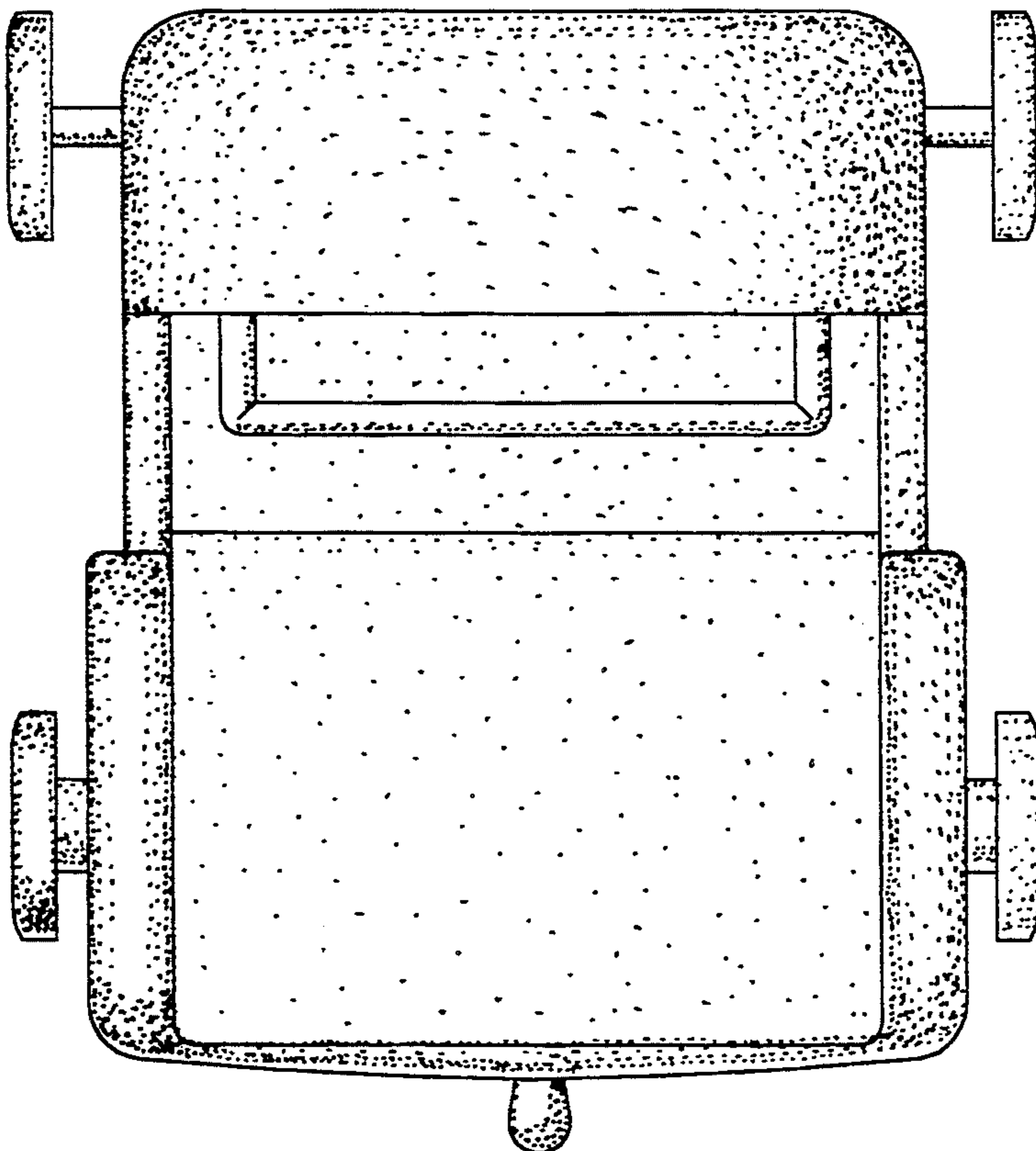
*FIG. 6*



*FIG. 7*

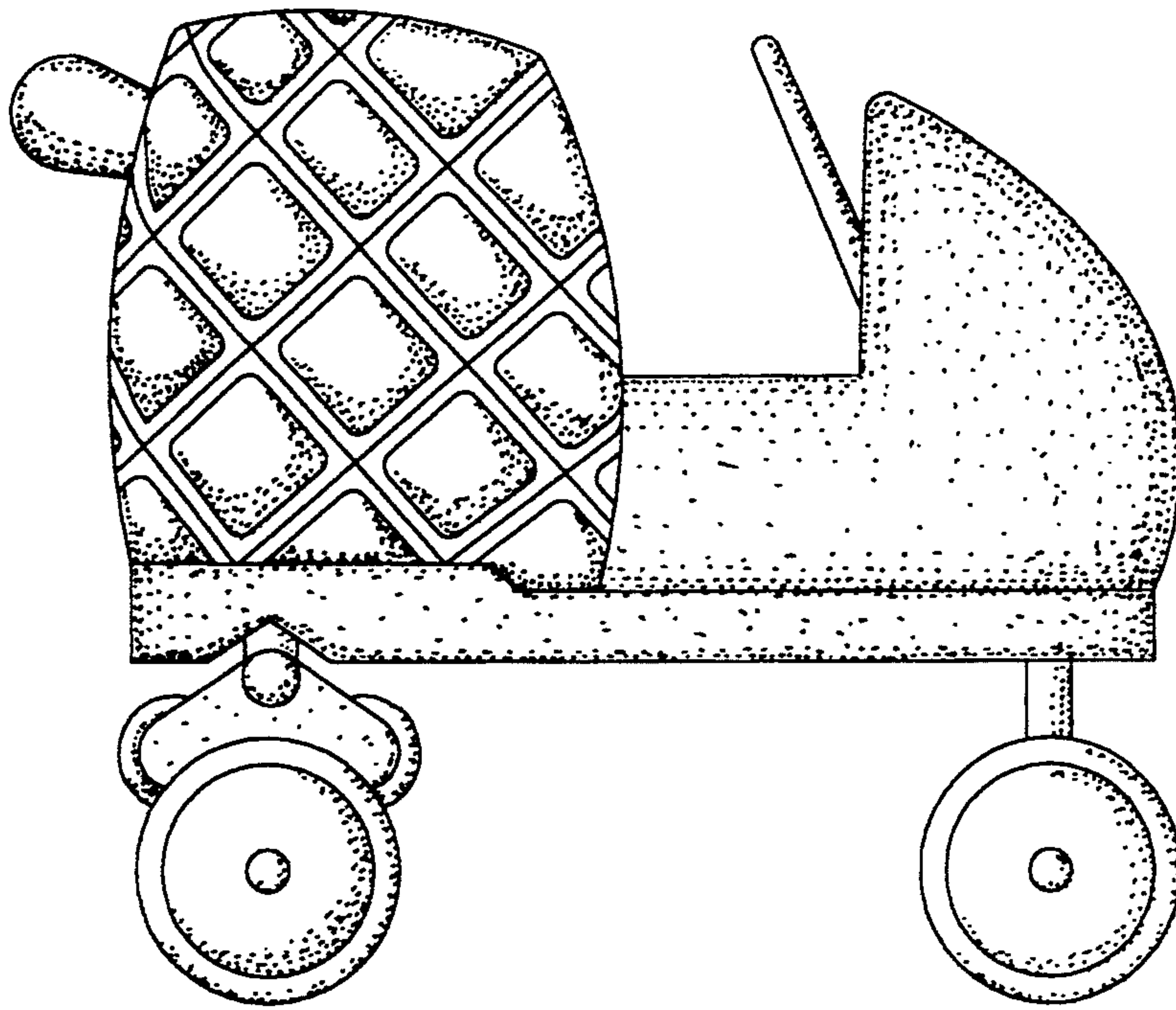


*FIG. 8*

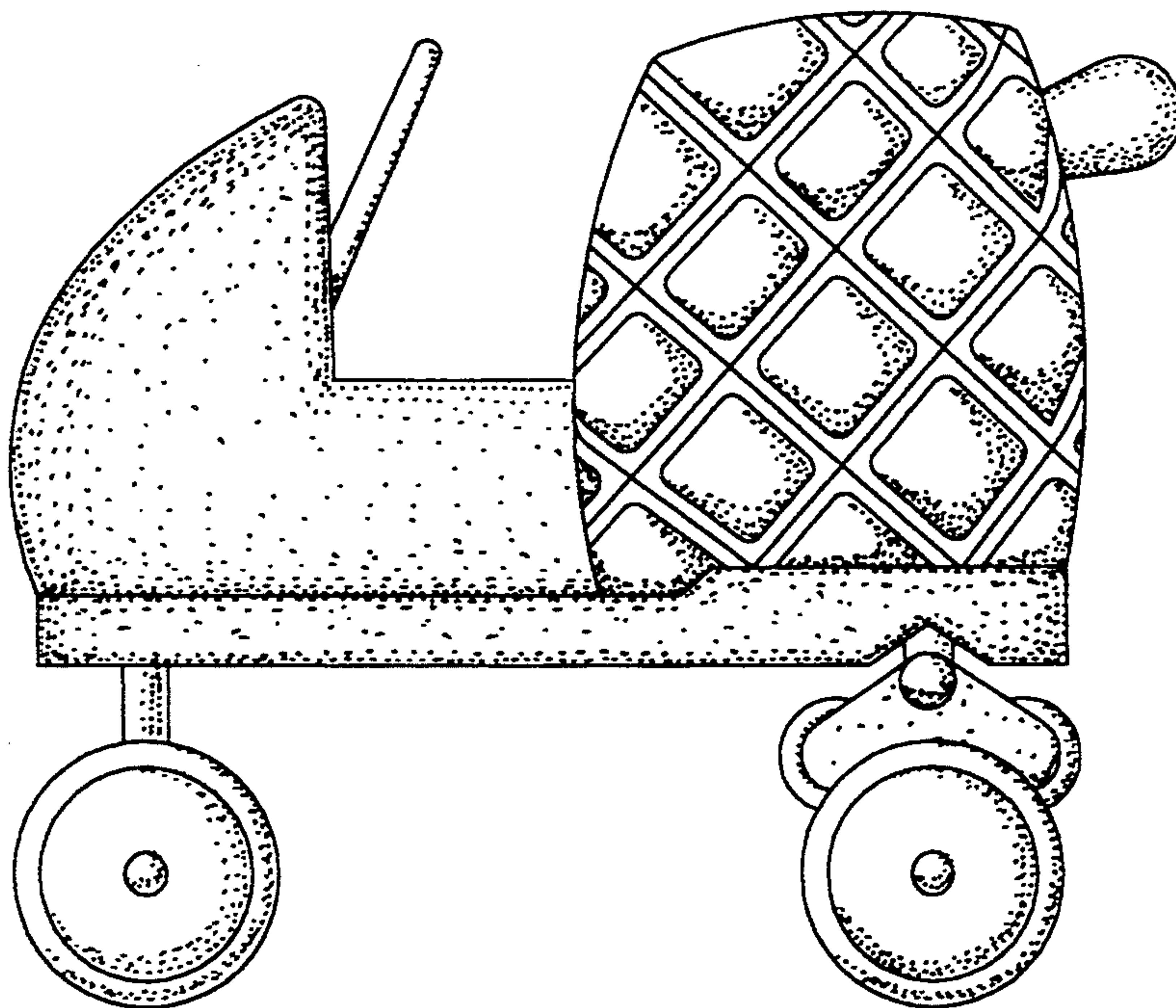


*FIG. 9*

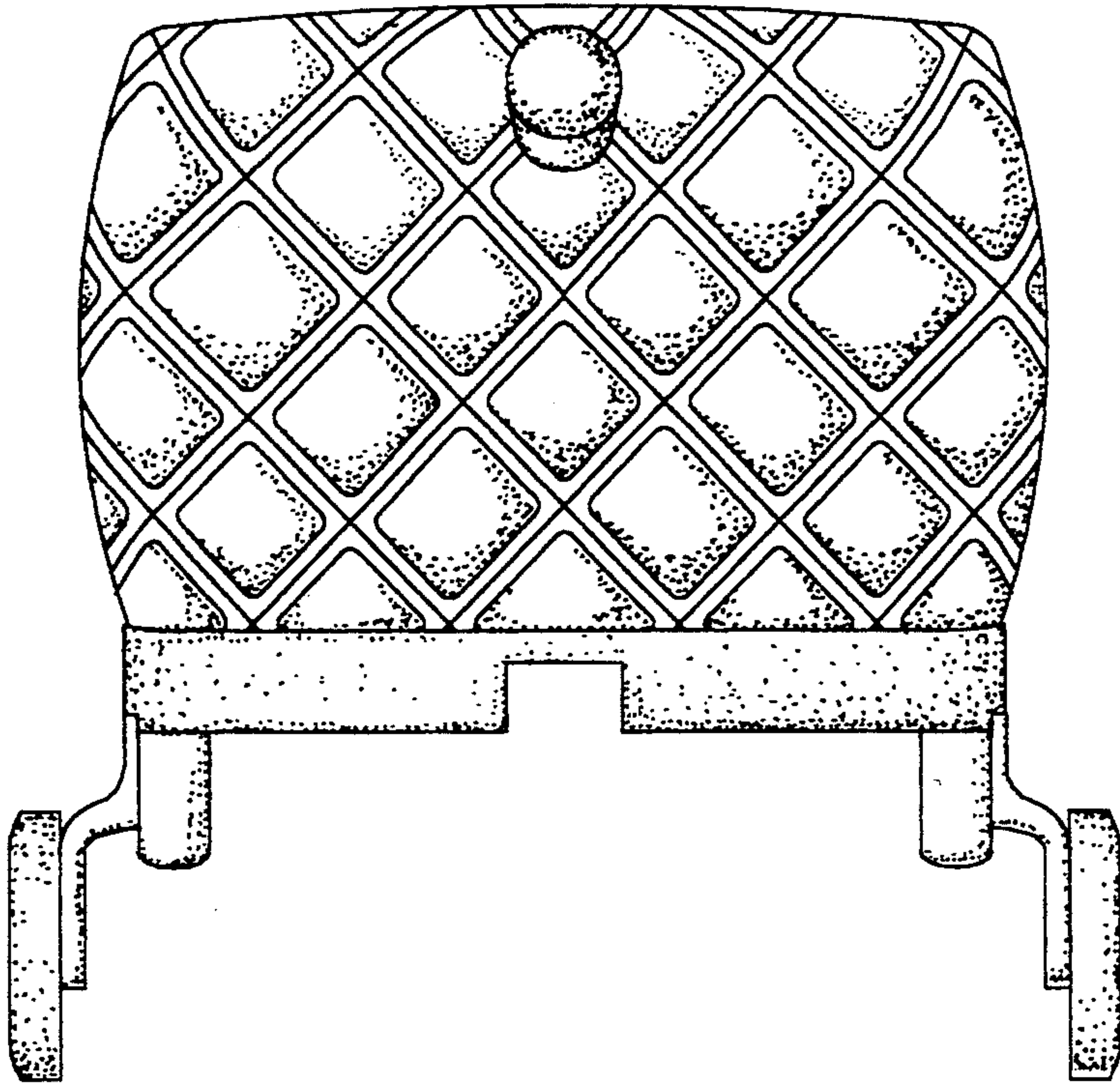




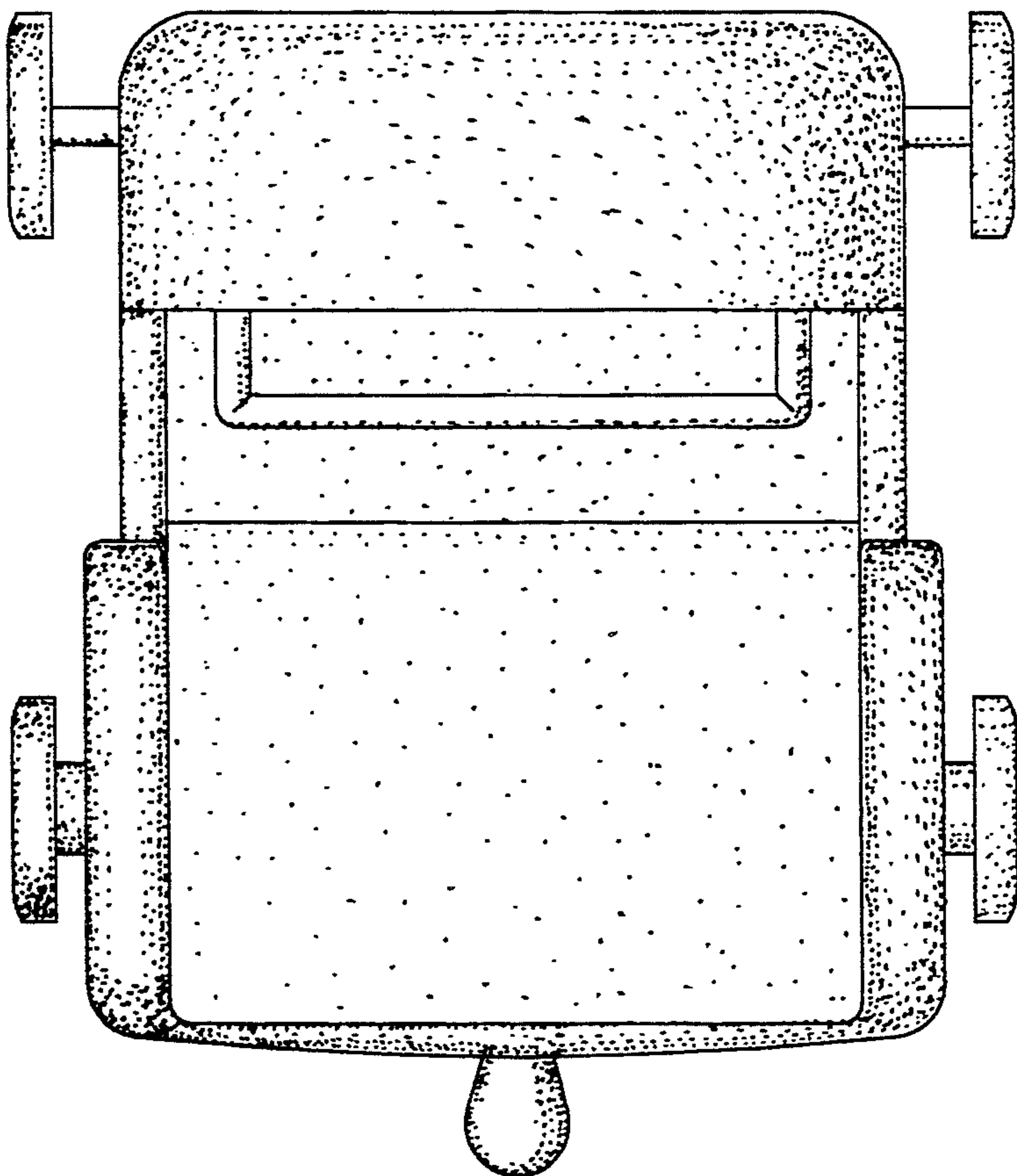
*FIG. 10*



*FIG. 11*



*FIG. 12*



*FIG. 13*