



US00D356615S

# United States Patent [19] Solheim

[11] Patent Number: **Des. 356,615**

[45] Date of Patent: **\*\* Mar. 21, 1995**

[54] **GOLF PUTTER HEAD**

[75] Inventor: **Karsten Solheim**, Phoenix, Ariz.

[73] Assignee: **Karsten Manufacturing Corporation**, Phoenix, Ariz.

[\*\*] Term: **14 Years**

[21] Appl. No.: **21,675**

[22] Filed: **Apr. 21, 1994**

**Related U.S. Application Data**

[63] Continuation-in-part of Ser. No. 7,148, Apr. 19, 1993.

[52] U.S. Cl. .... **D21/219**

[58] Field of Search ..... **D21/214-220;**  
273/164.1, 167-175

[56] **References Cited**

**U.S. PATENT DOCUMENTS**

D. 315,005 2/1991 Solheim ..... **D21/219**

**OTHER PUBLICATIONS**

Spalding 1989 Pro Golf Cat., p. 25, TPM III putter.  
Golf Digest, Dec., 1988, p. 97, putters No. 7 and No. 10.

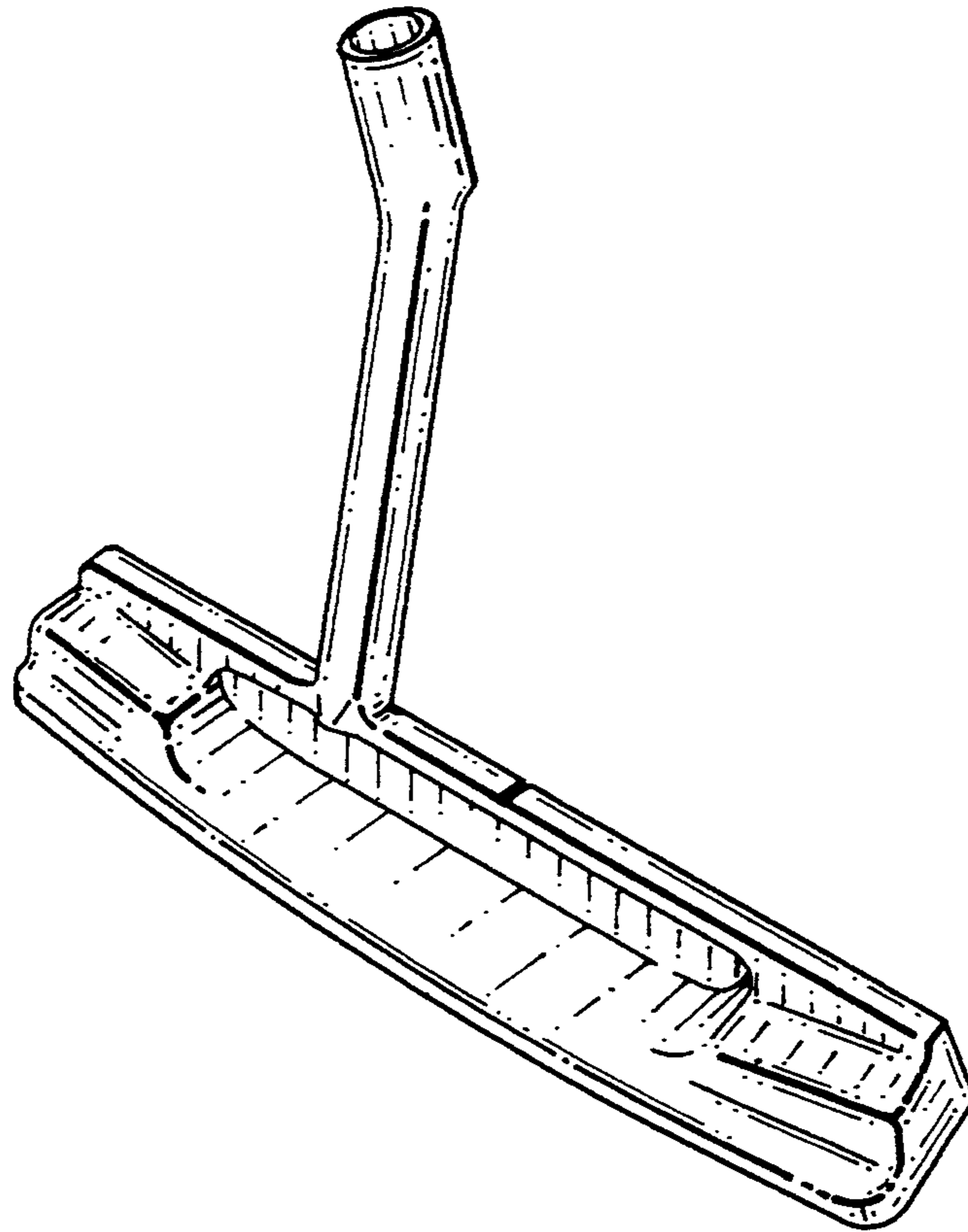
*Primary Examiner*—Prabhakar G. Deshmukh  
*Assistant Examiner*—Mitchell I. Siegel  
*Attorney, Agent, or Firm*—Darrell F. Marquette;  
Herbert E. Haynes, Jr.

[57] **CLAIM**

The ornamental design for a golf putter head, as shown and described.

**DESCRIPTION**

FIG. 1 is a perspective view of a golf putter head embodying my new design;  
FIG. 2 is an left end elevational view thereof;  
FIG. 3 is a rear elevational view thereof;  
FIG. 4 is a top plan view thereof;  
FIG. 5 is a bottom view thereof;  
FIG. 6 is a front elevational view thereof; and,  
FIG. 7 is right end elevational view thereof.



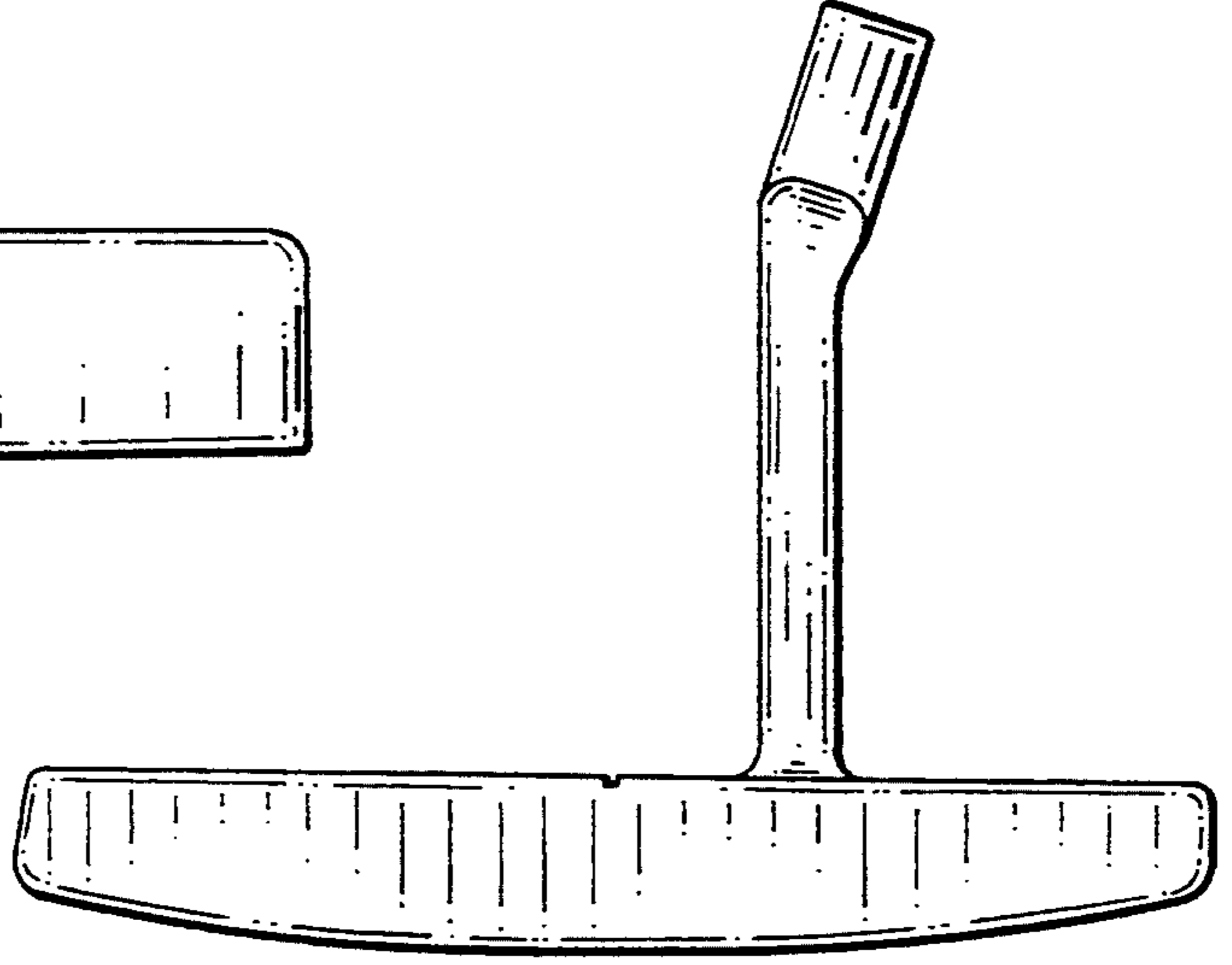
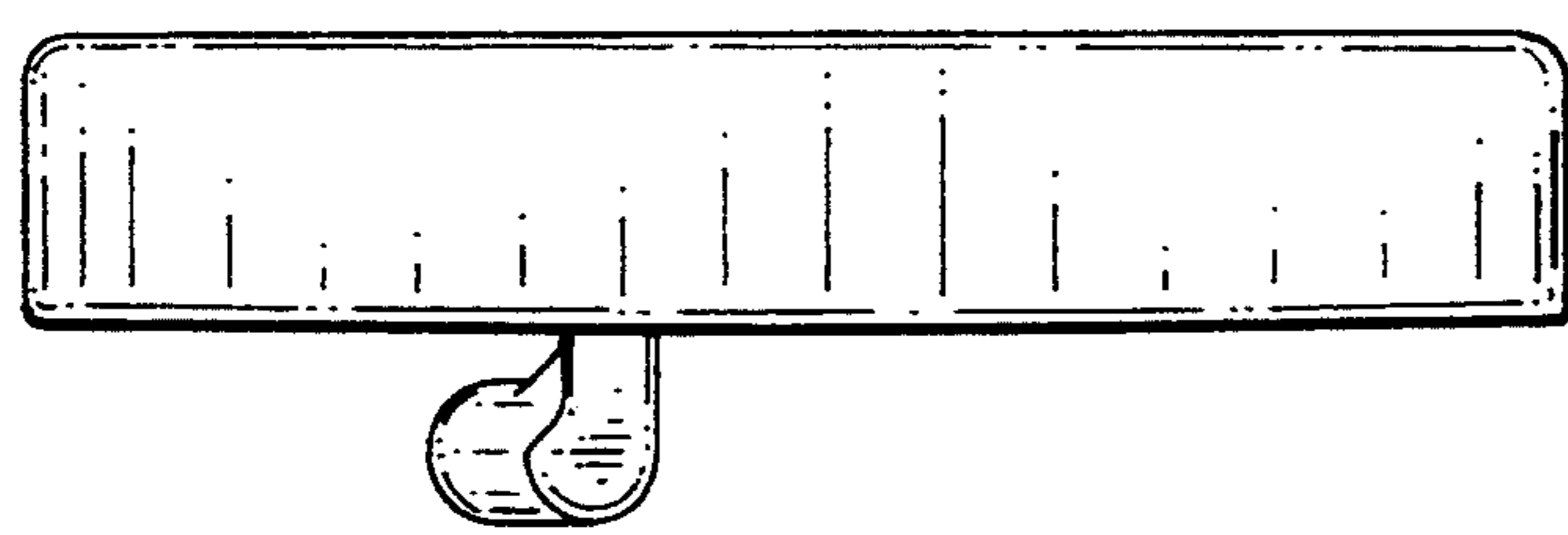
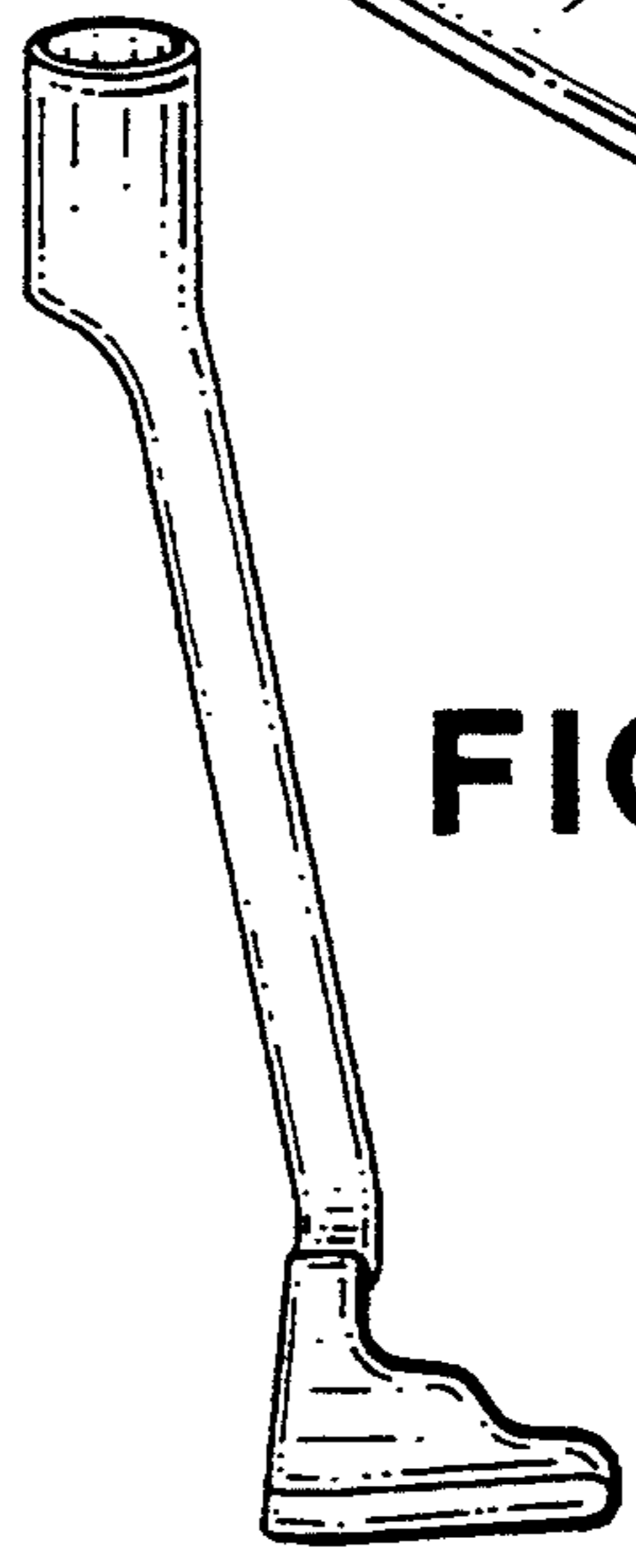
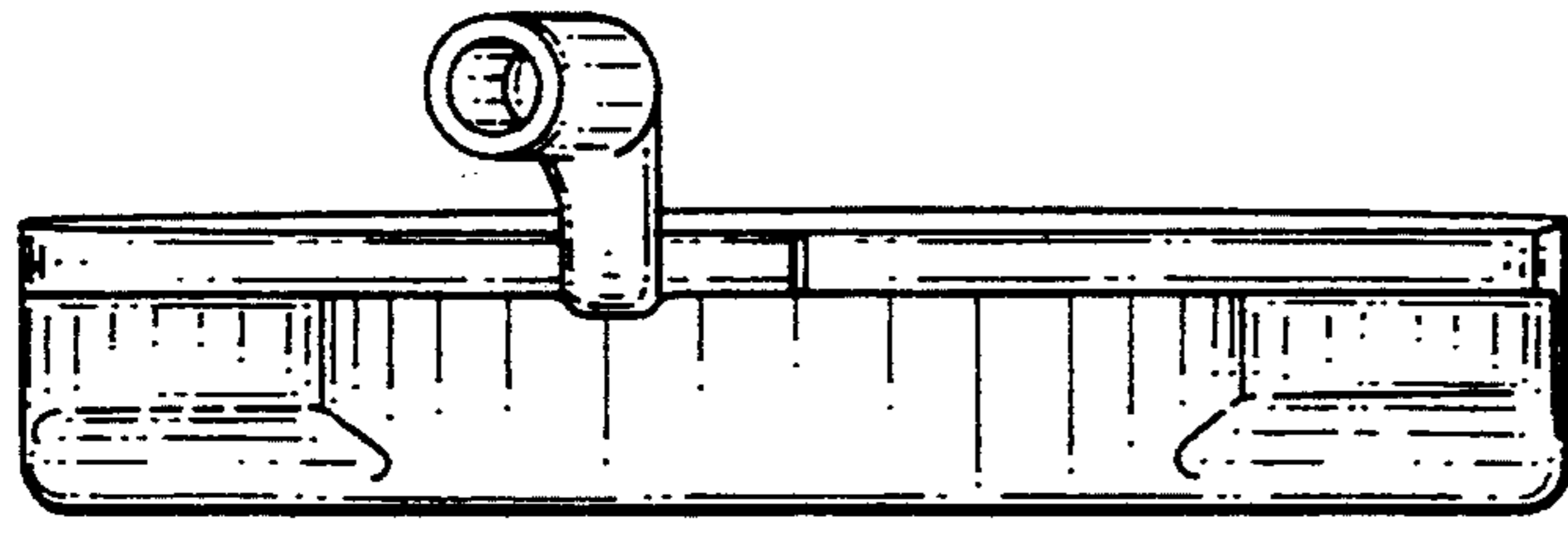
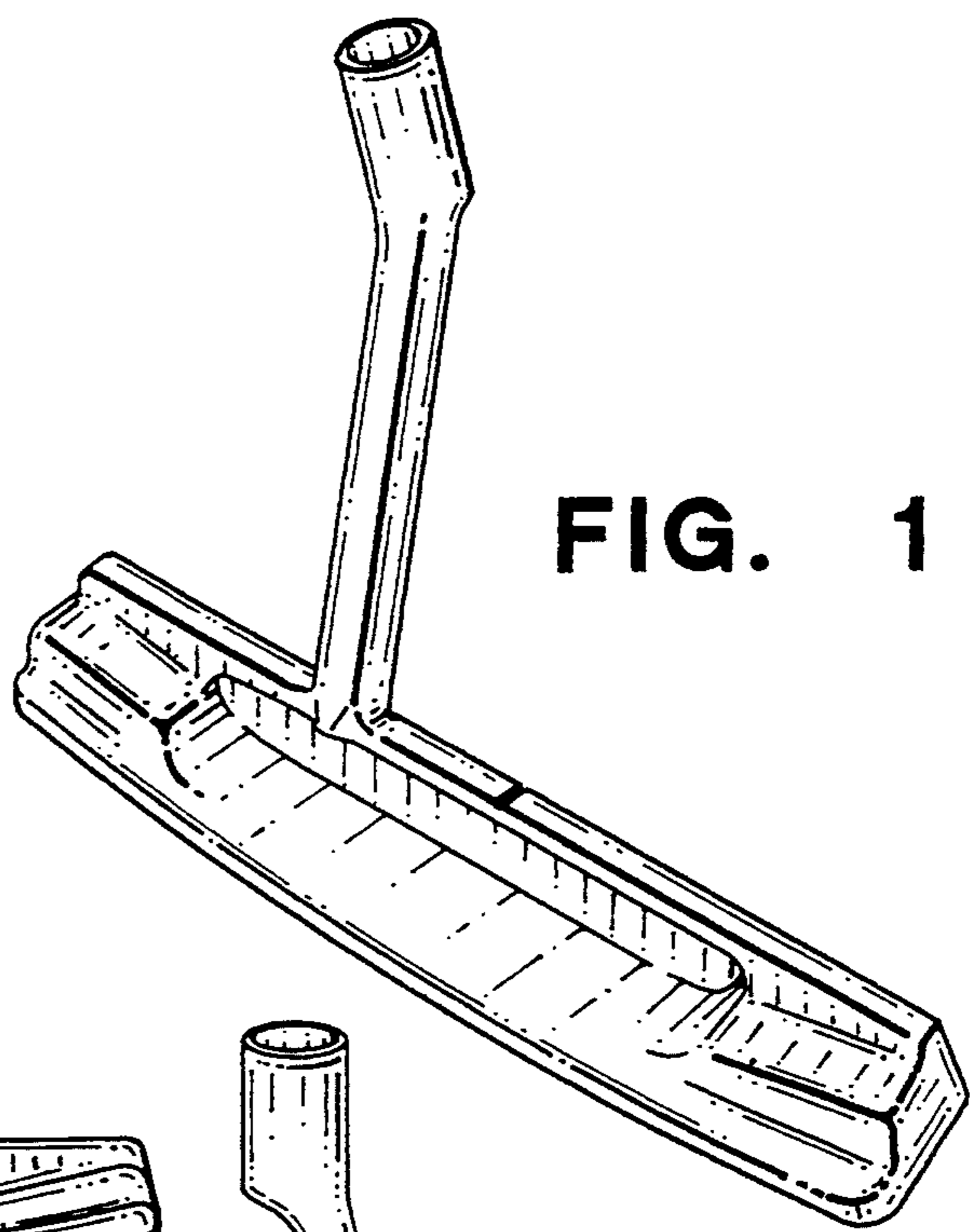
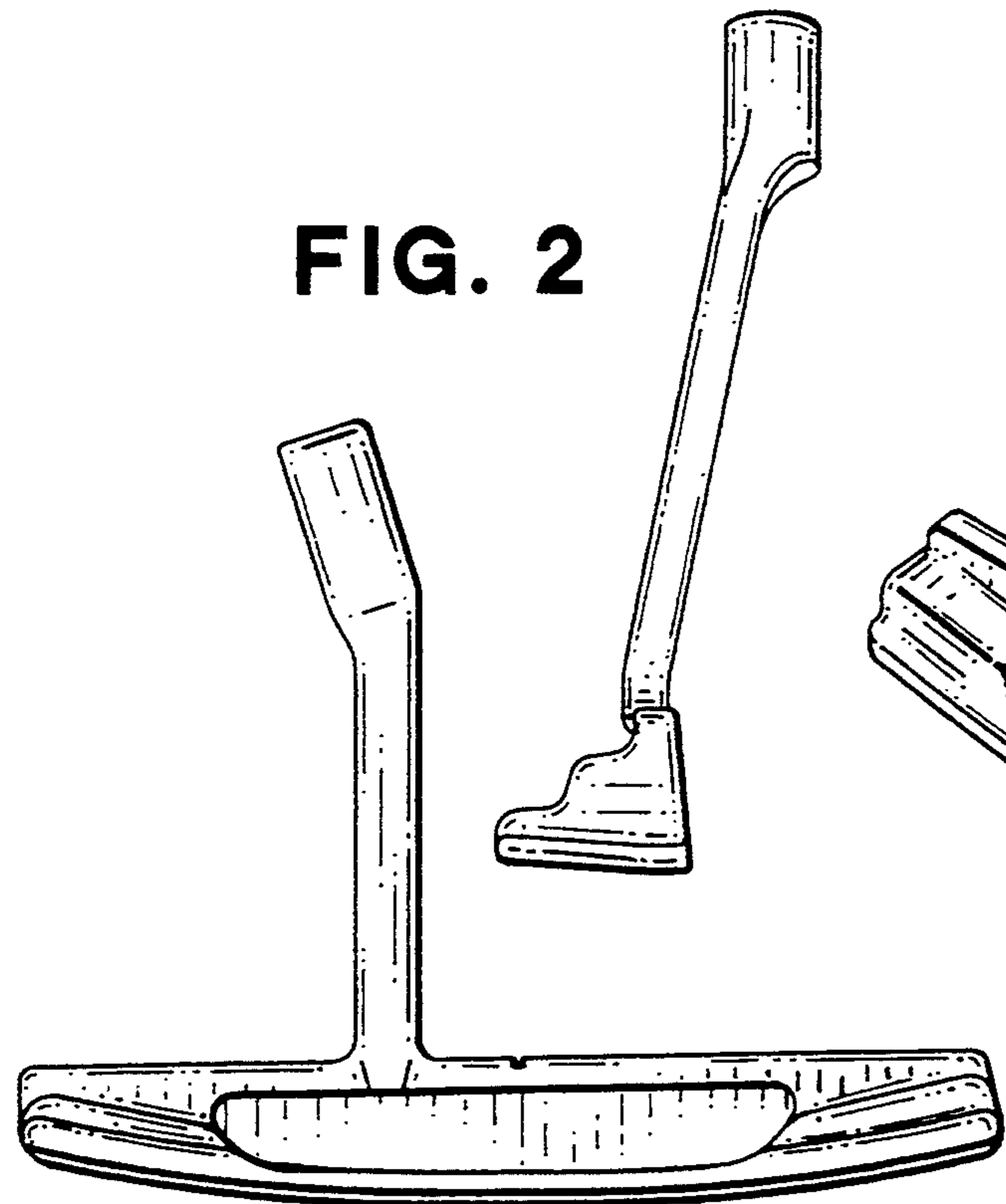


FIG. 5

FIG. 6