



US00D356613S

United States Patent [19]

[11] Patent Number: **Des. 356,613**

Adams et al.

[45] Date of Patent: **** Mar. 21, 1995**

[54] **PUTTER TYPE GOLF CLUB HEAD**

[75] Inventors: **Byron H. Adams**, Dallas, Tex.; **Faris W. McMullin**, Boise, Id.

[73] Assignee: **Adams Golf Inc.**, Richardson, Tex.

[**] Term: **14 Years**

[21] Appl. No.: **2,776**

[22] Filed: **Dec. 21, 1992**

[52] U.S. Cl. **D21/217**

[58] Field of Search **D21/214-220;**
273/164.1, 167-175

[56] **References Cited**

U.S. PATENT DOCUMENTS

D. 193,096	6/1962	Green, Jr.	D21/217
4,580,784	4/1986	Brill	273/164.1
5,127,653	7/1992	Nelson	273/167 C

OTHER PUBLICATIONS

Golf Digest, Aug. 1982, p. 86, upper right, John Pirre, putter.

Golf World, Apr. 20, 1990, p. 29, bottom, putter head.

Primary Examiner—Melvin B. Feifer

Attorney, Agent, or Firm—Aquilino & Welsh

[57] **CLAIM**

The ornamental design for a putter type golf club head, as shown and described.

DESCRIPTION

FIG. 1 is a rear perspective view of a putter type golf club head showing my new design;

FIG. 2 is a top plan view thereof;

FIG. 3 is a bottom view thereof;

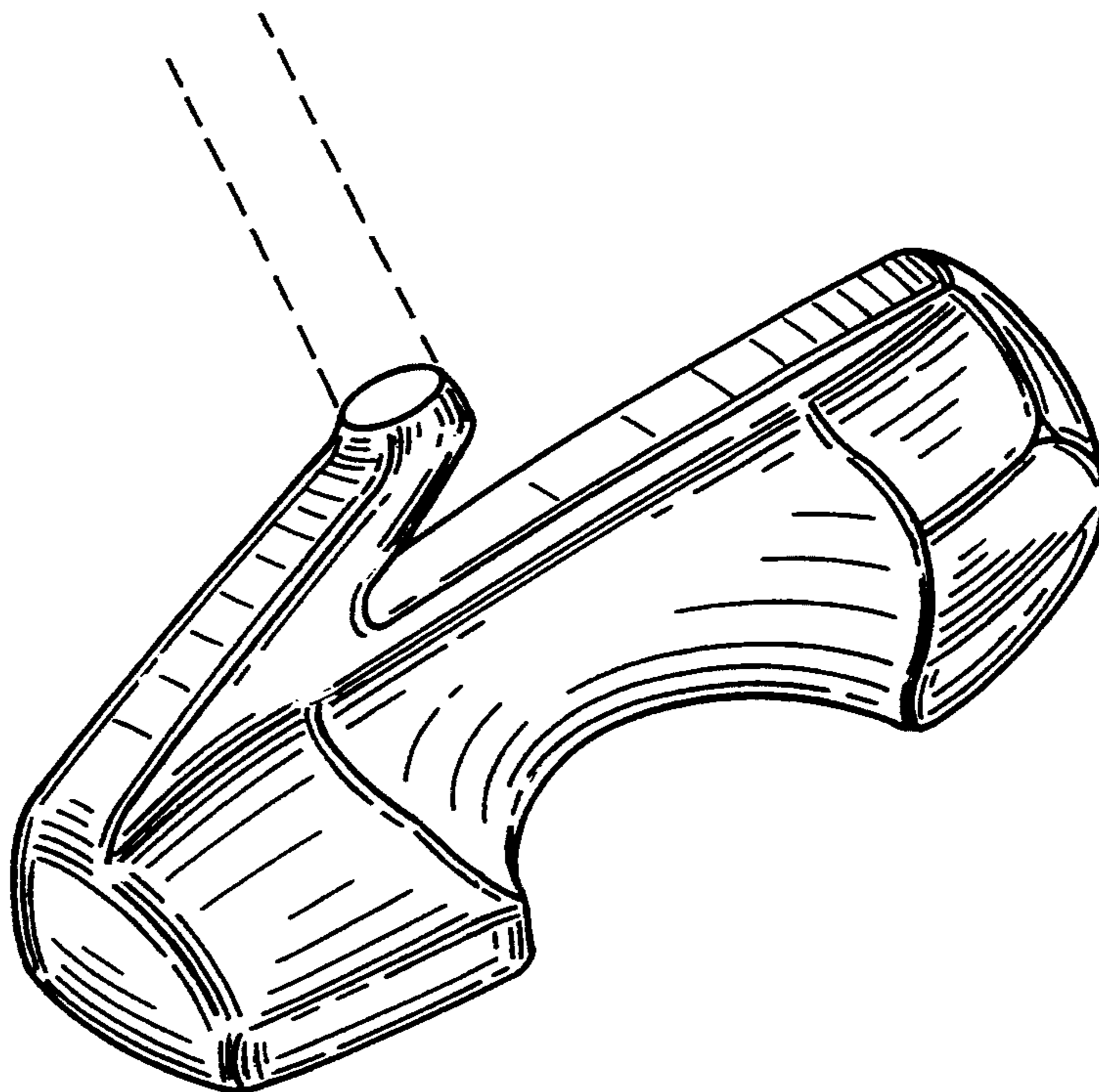
FIG. 4 is an end view thereof;

FIG. 5 is a rear elevational view thereof;

FIG. 6 is an end view taken from the opposite end of FIG. 4; and,

FIG. 7 is a front elevational view thereof.

The broken lines showing a fragmented shaft are for illustrative purposes only and form no part of the design.



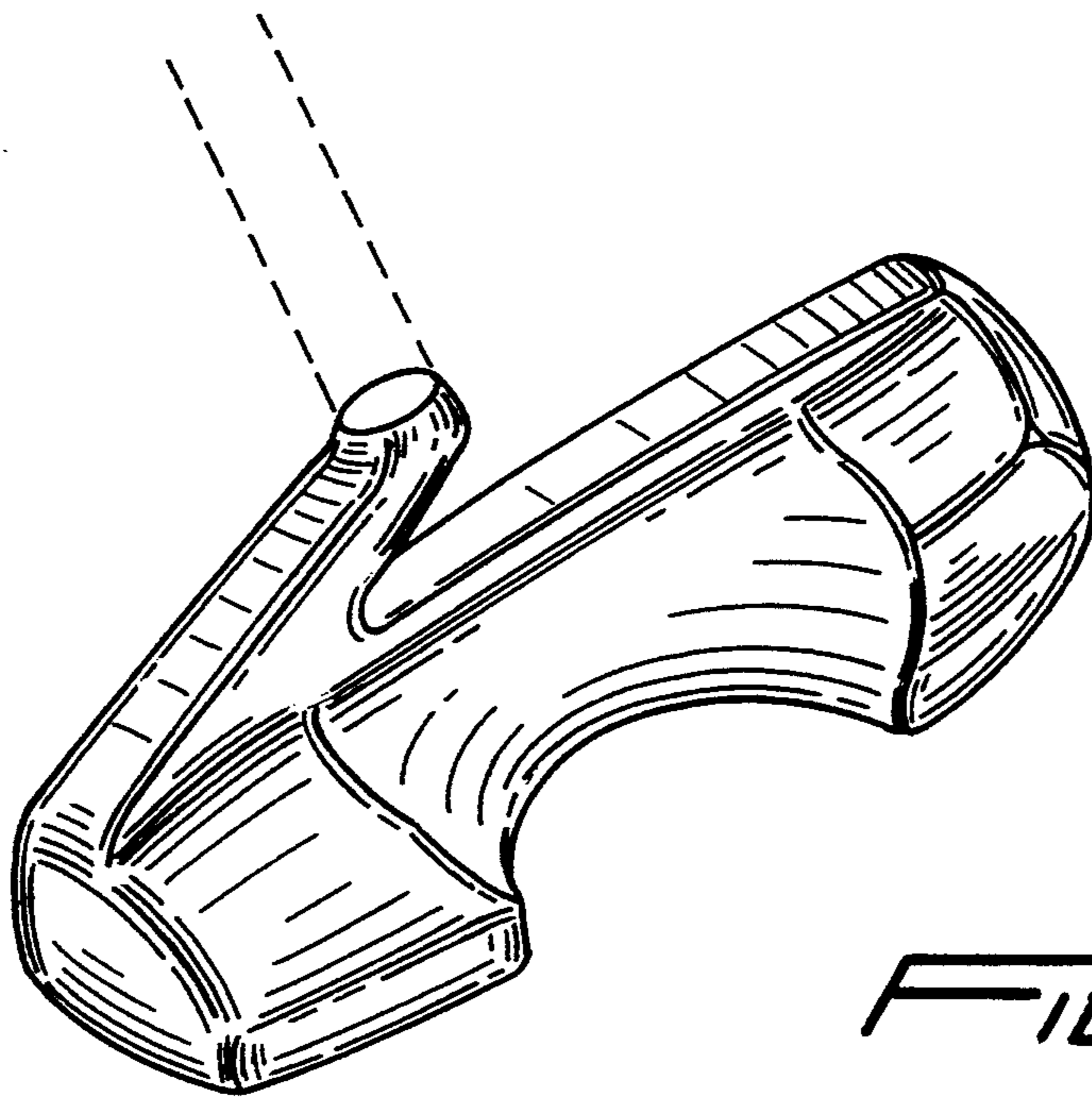


FIG. 1

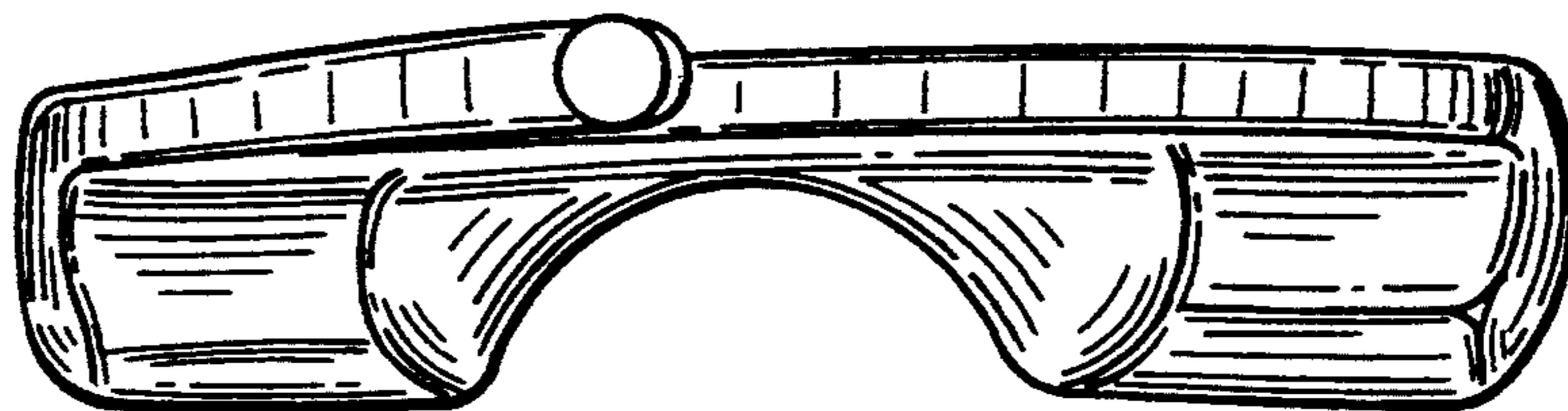


FIG. 2

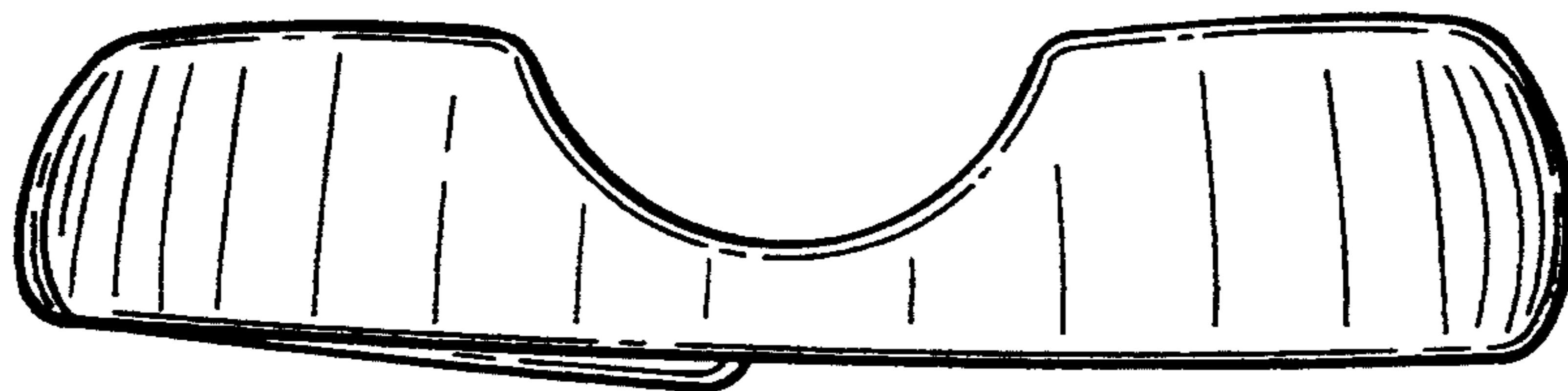


FIG. 3

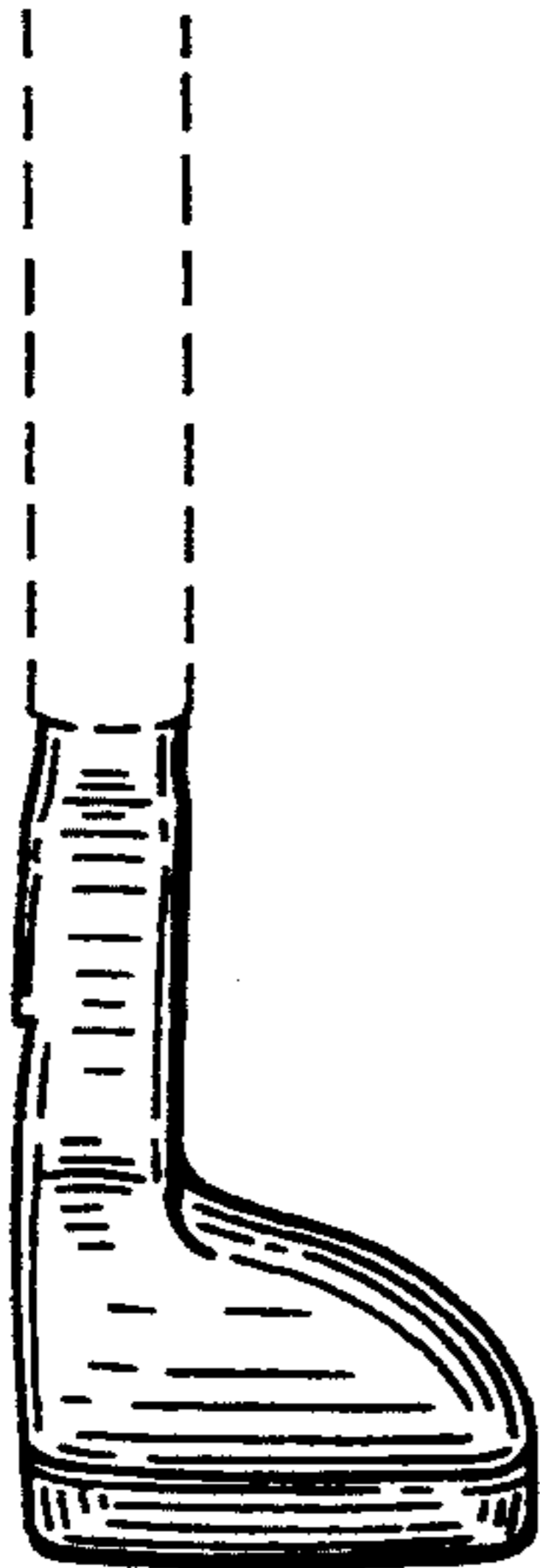


FIG. 4

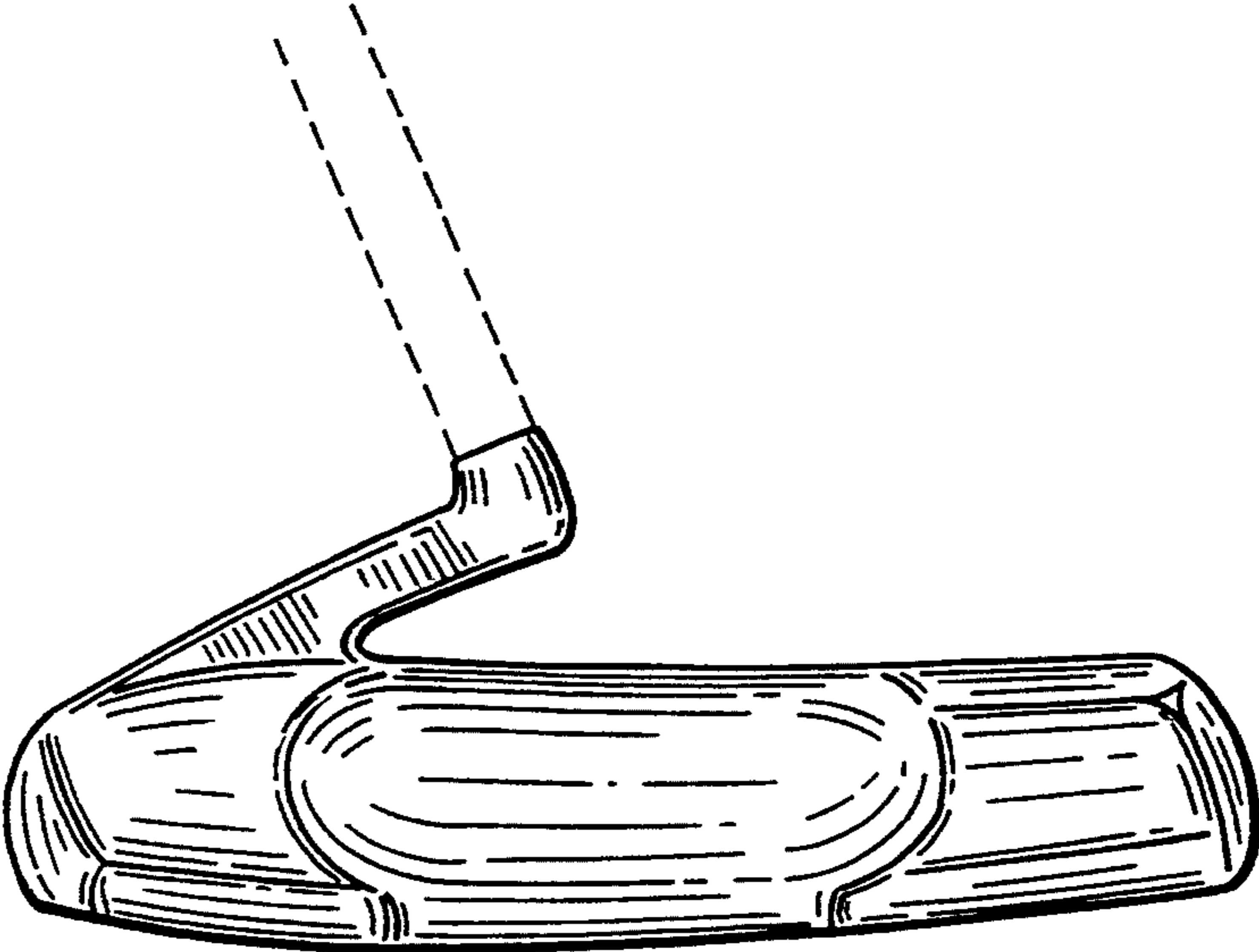


FIG. 5

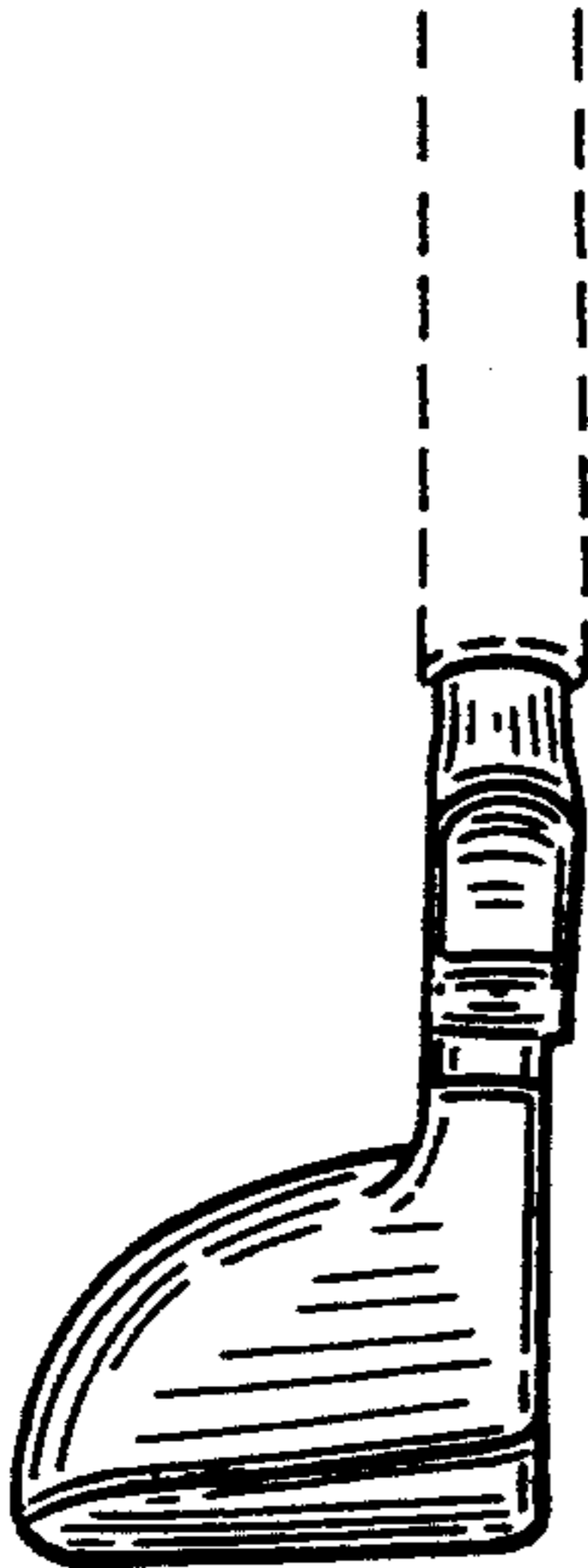


FIG. 6

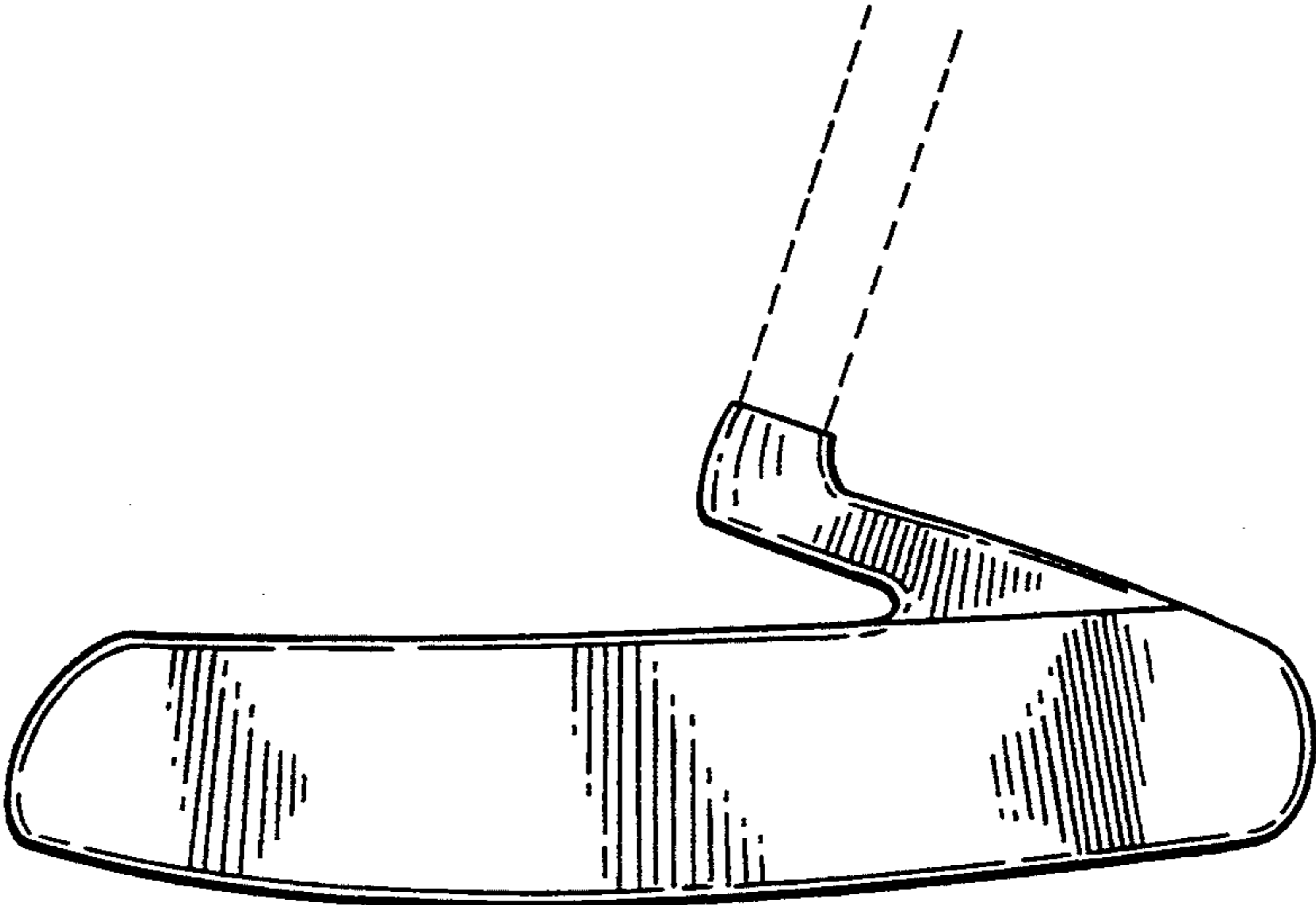


FIG. 7