



US00D356610S

United States Patent [19]

[11] Patent Number: **Des. 356,610**

Ishimoto

[45] Date of Patent: **** Mar. 21, 1995**

[54] **TRANSMITTER FOR A RADIO CONTROLLABLE TOY**

D. 342,297 12/1993 Kouno D21/141.1
4,882,942 11/1989 Hamilton 446/456

[75] Inventor: **Zenichi Ishimoto**, Tokyo, Japan

Primary Examiner—Bernard Ansher

[73] Assignee: **Nikko Co., Ltd.**, Tokyo, Japan

Assistant Examiner—R. Barkai

[**] Term: **14 Years**

Attorney, Agent, or Firm—Davis Hoxie Faithfull & Hapgood

[21] Appl. No.: **4,624**

[57] **CLAIM**

[22] Filed: **Feb. 9, 1993**

The ornamental design for a transmitter for a radio controllable toy, as shown and described.

[52] U.S. Cl. **D21/141.1**

DESCRIPTION

[58] Field of Search D21/141, 141.1;
D14/155; 446/454, 455, 456; 273/86 B

FIG. 1 is a front elevational view of a transmitter for a radio controllable toy showing my new design;

[56] **References Cited**

U.S. PATENT DOCUMENTS

- D. 292,585 11/1987 Gottlieb D14/155
- D. 293,239 12/1987 Larson D14/155
- D. 313,439 1/1991 Kohno D21/141.1

FIG. 2 is a rear elevational view thereof;

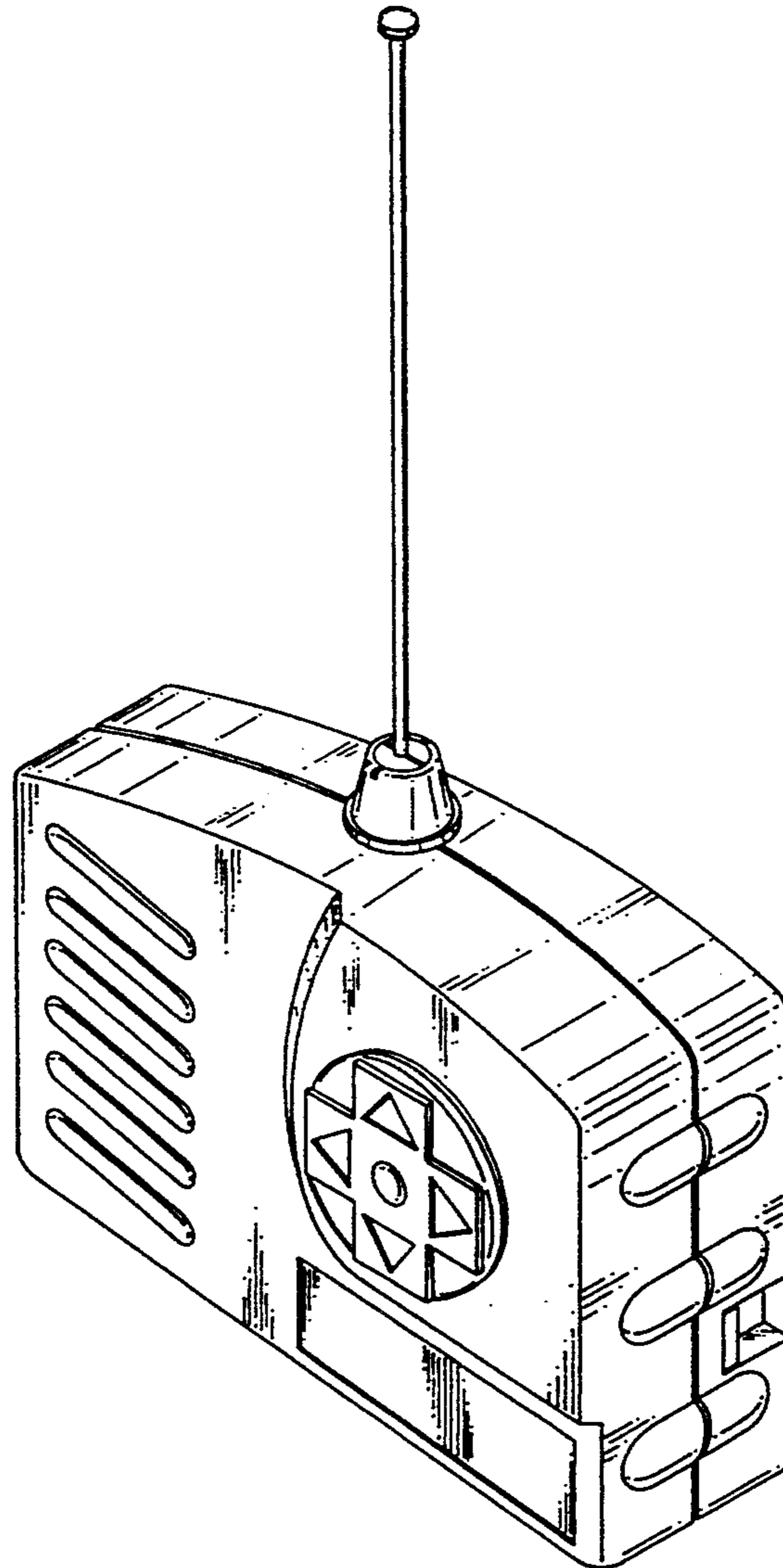
FIG. 3 is a top plan view thereof;

FIG. 4 is a bottom plan view thereof;

FIG. 5 is a right side view thereof;

FIG. 6 is a left side view thereof; and,

FIG. 7 is a right front perspective view thereof.



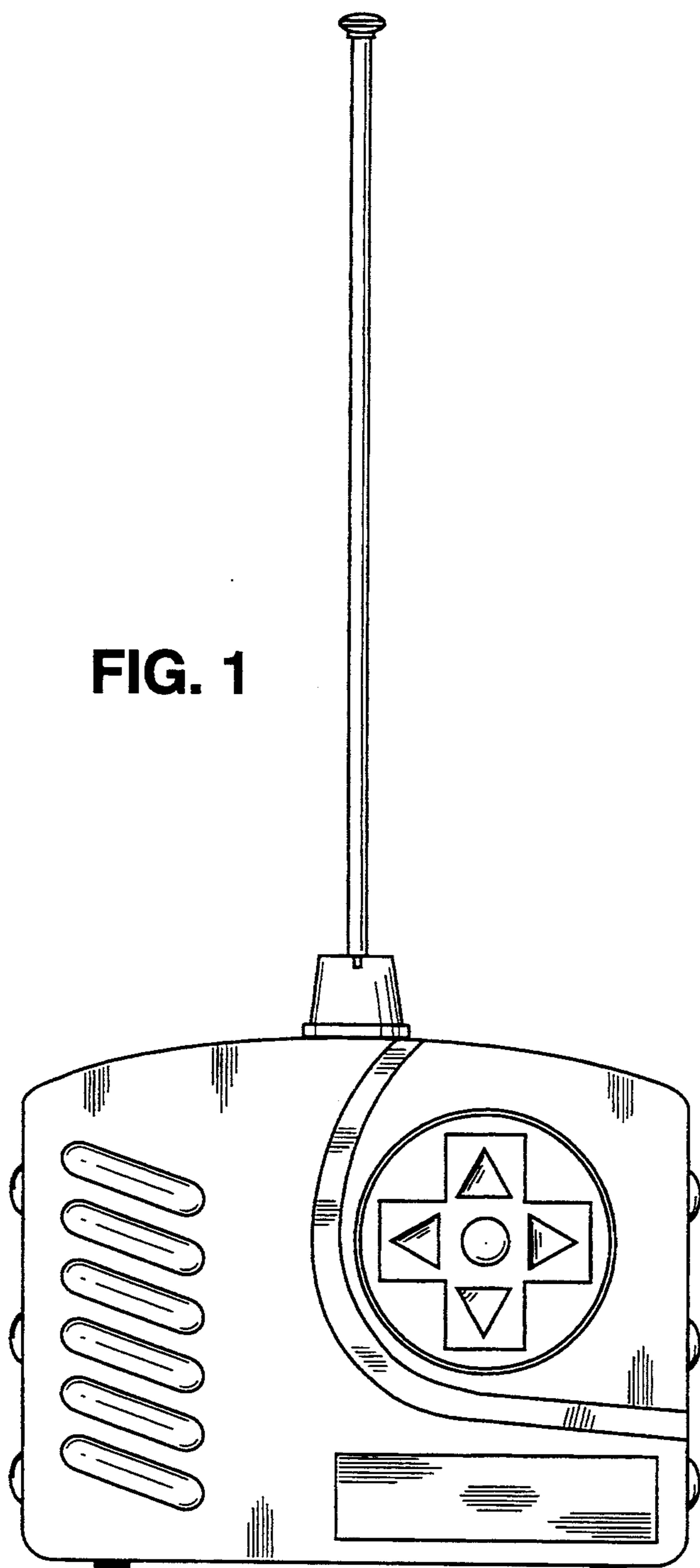


FIG. 1

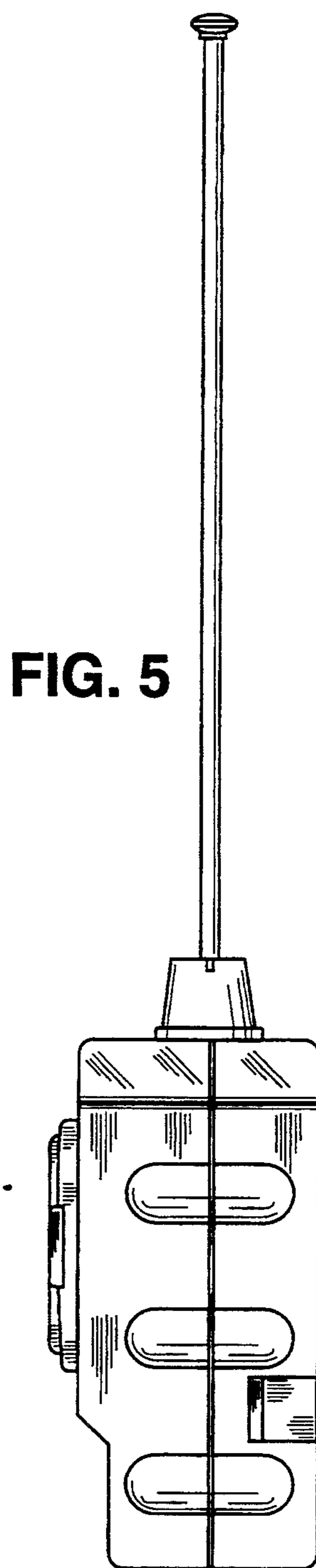


FIG. 5

FIG. 2

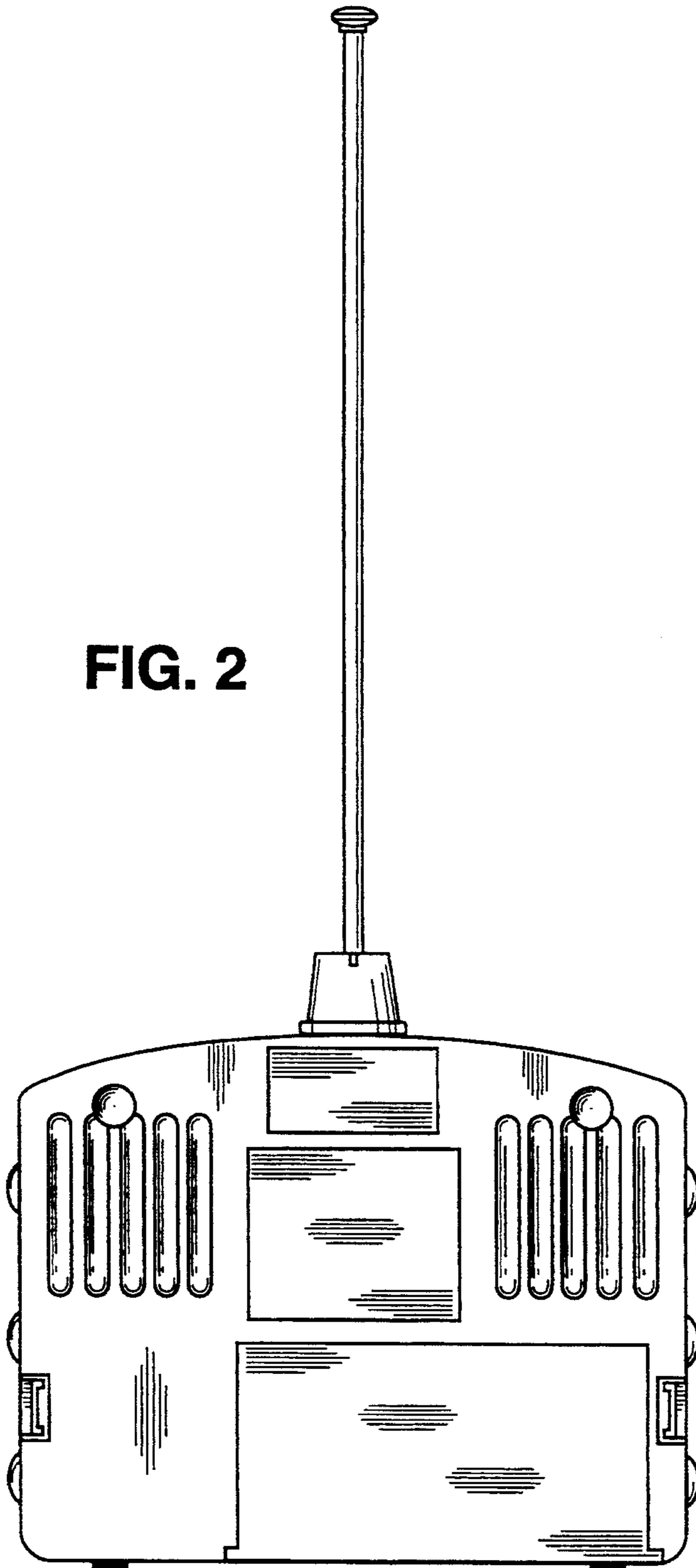
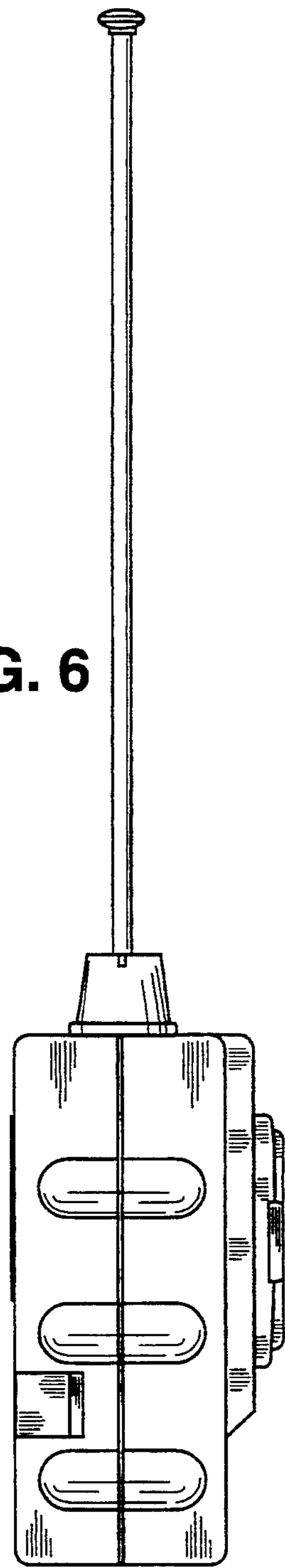


FIG. 6



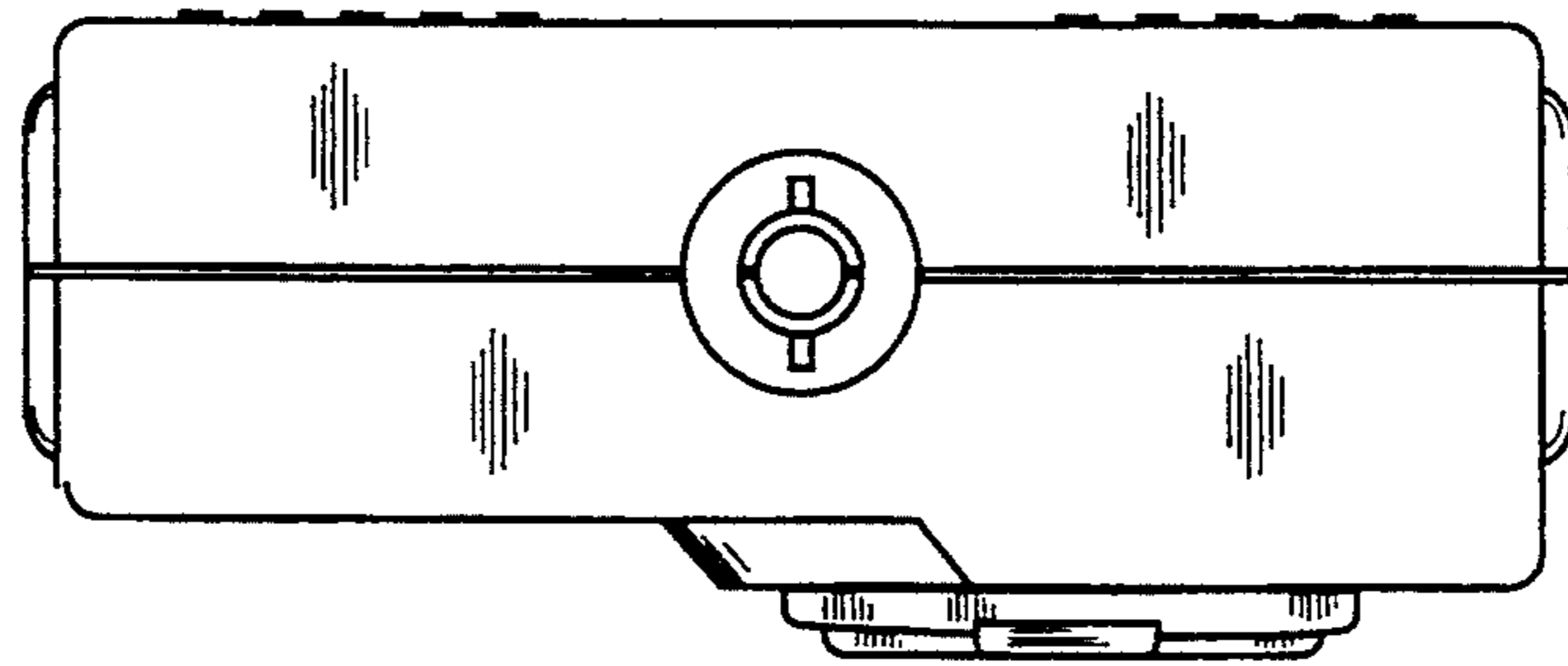


FIG. 3

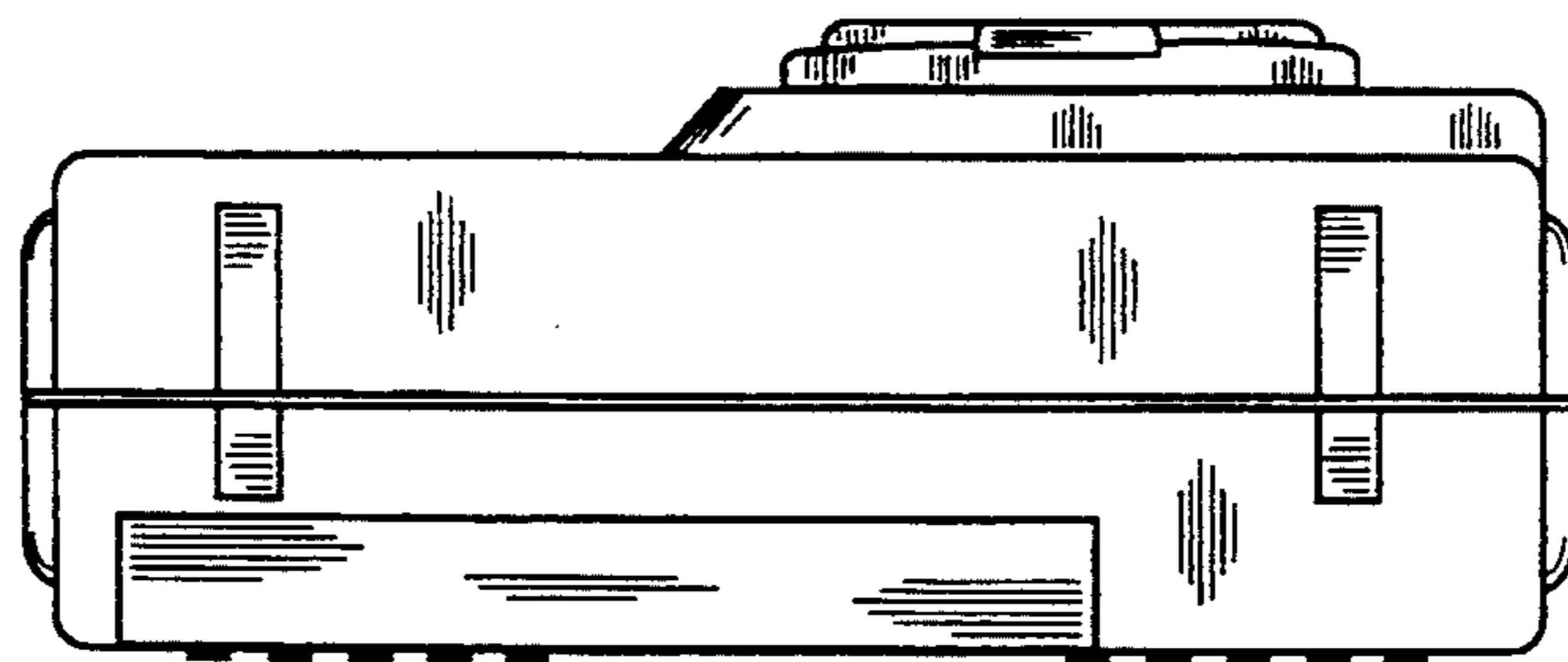


FIG. 4

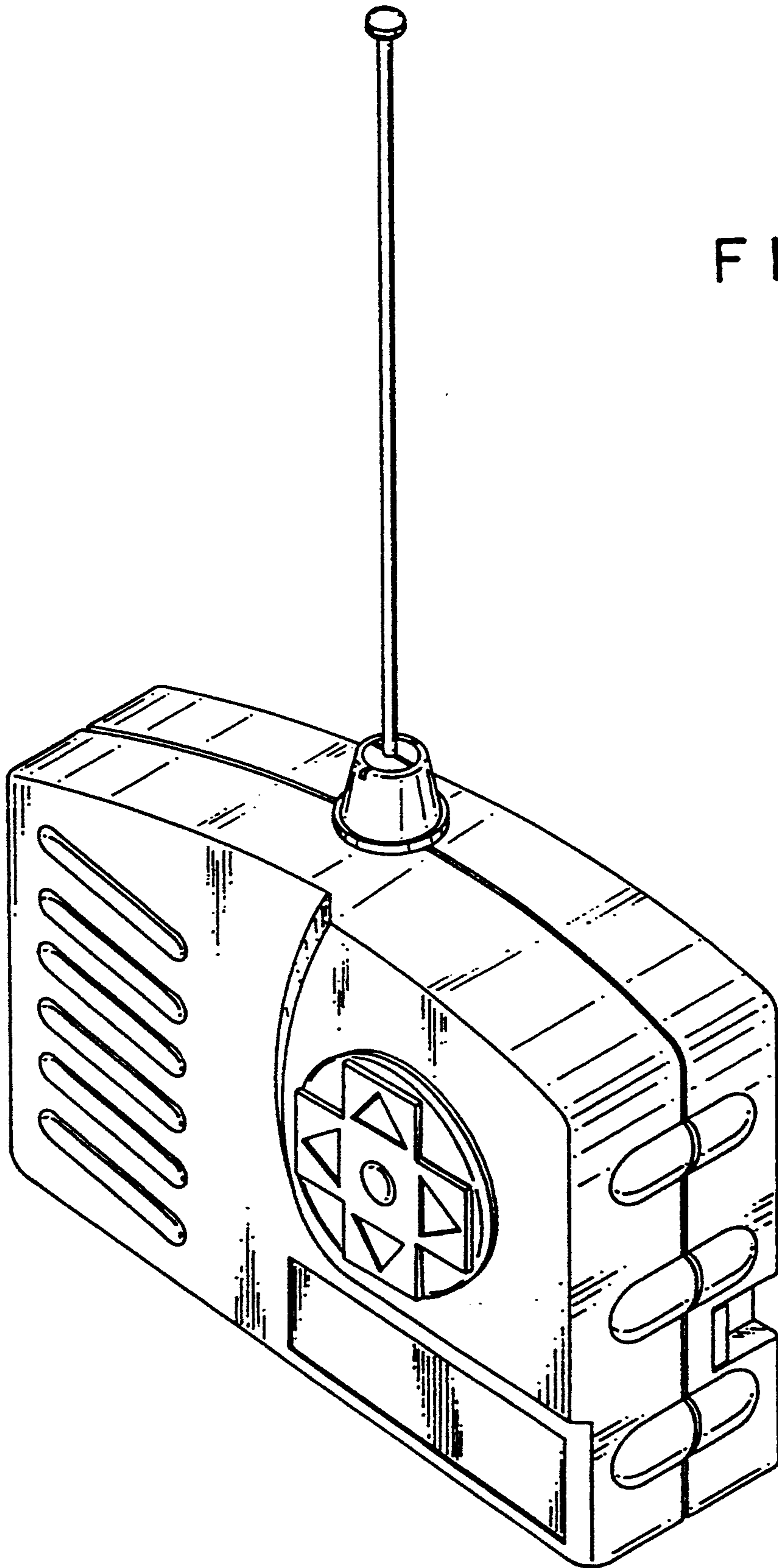


FIG. 7