



US00D356608S

United States Patent [19] Poon

[11] Patent Number: Des. 356,608

[45] Date of Patent: ** Mar. 21, 1995

[54] **POCKET GAME BOARD HOLDER**

[75] Inventor: Tit W. Poon, Chai Wan, Hong Kong

[73] Assignee: Flying Dragon Development Limited,
Chai Wan, Hong Kong

[**] Term: 14 Years

[21] Appl. No.: 10,272

[22] Filed: Jul. 6, 1993

[30] **Foreign Application Priority Data**

Feb. 18, 1993 [GB] United Kingdom 2029187

[52] U.S. Cl. D21/54; D21/34

[58] Field of Search D21/14-36,
D21/54, 55, 57; 273/236-288

[56] **References Cited**

U.S. PATENT DOCUMENTS

D. 120,223 4/1940 Horsley D21/55

D. 166,790 5/1952 Bell et al. D21/54

D. 194,922 4/1963 Stein D21/57

D. 221,012 6/1971 Holland et al. D21/16

D. 226,102 1/1973 Ivanovich D21/15

D. 261,535 10/1981 Tawil D21/15

Primary Examiner—Theodore M. Shooman

Assistant Examiner—Sandra Morris

Attorney, Agent, or Firm—Oliff & Berridge

[57] **CLAIM**

The ornamental design for a pocket game board holder,
as shown and described.

DESCRIPTION

FIG. 1 is a perspective view of the article the subject of
my invention;

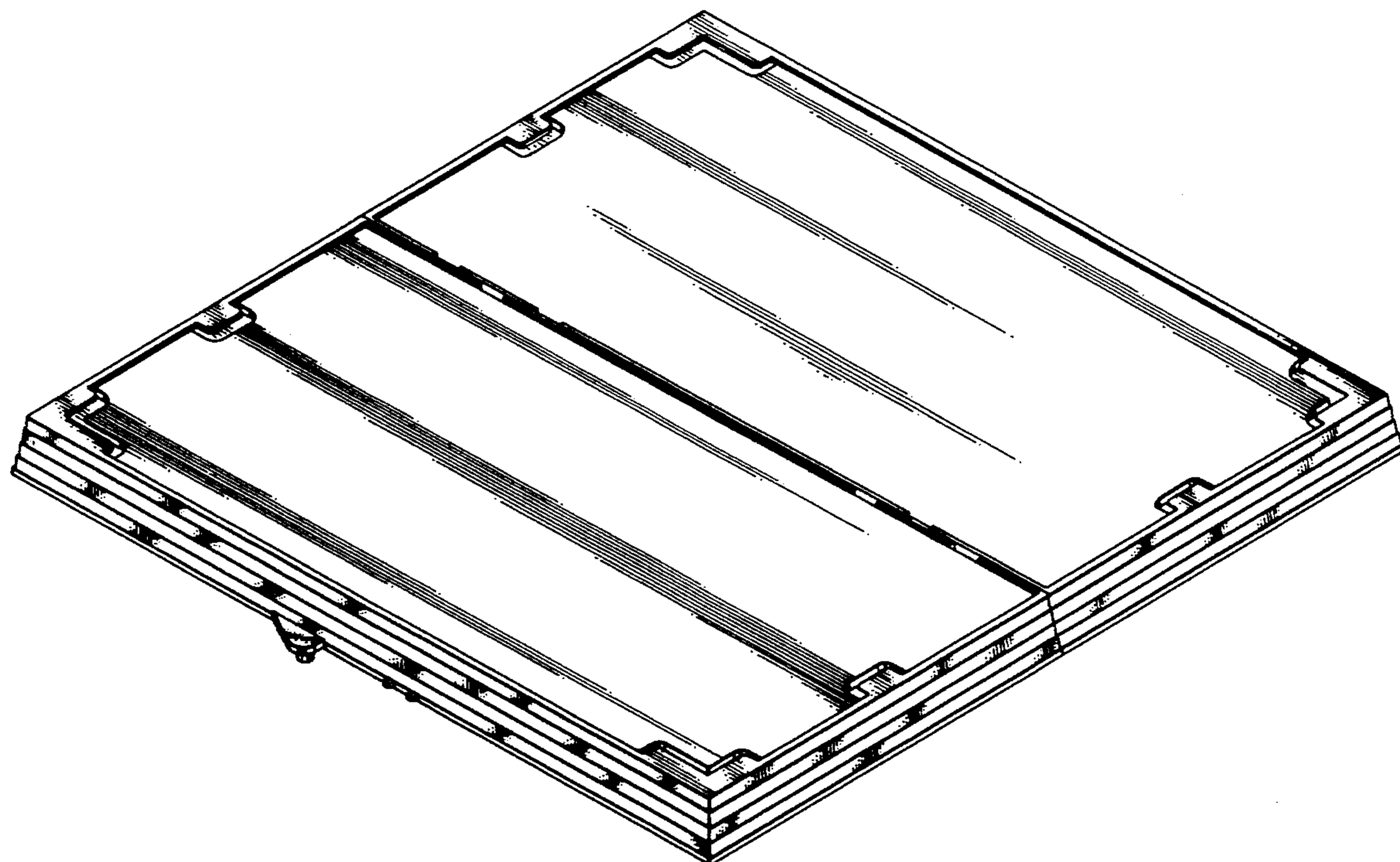
FIG. 2 is a perspective view of the article, in closed
position;

FIG. 3 is an underplan view of the closed article;

FIG. 4 is a side view of the article (the opposite side
corresponds);

FIG. 5 is a front view of the article; and,

FIG. 6 is a rear view of the article.



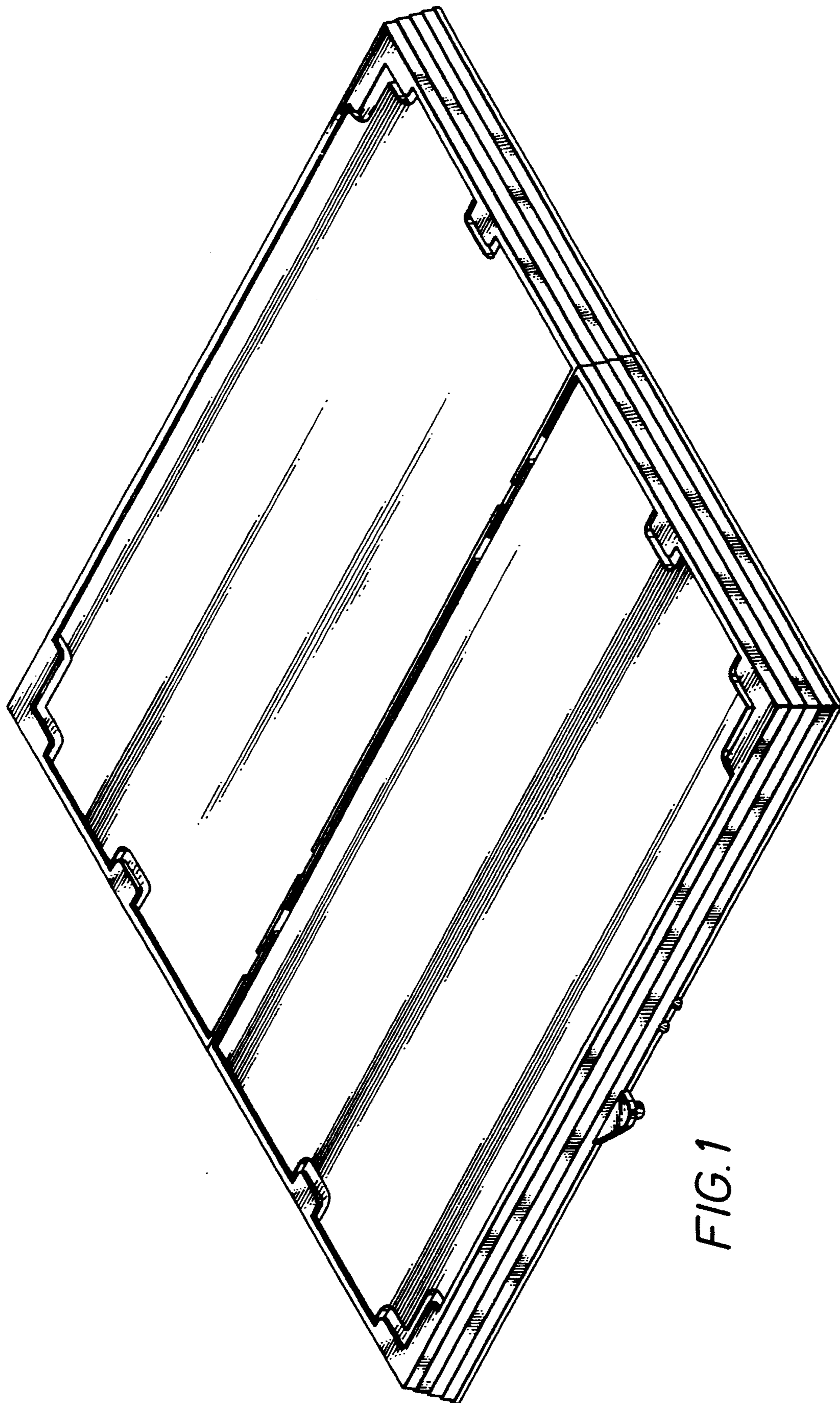


FIG. 1

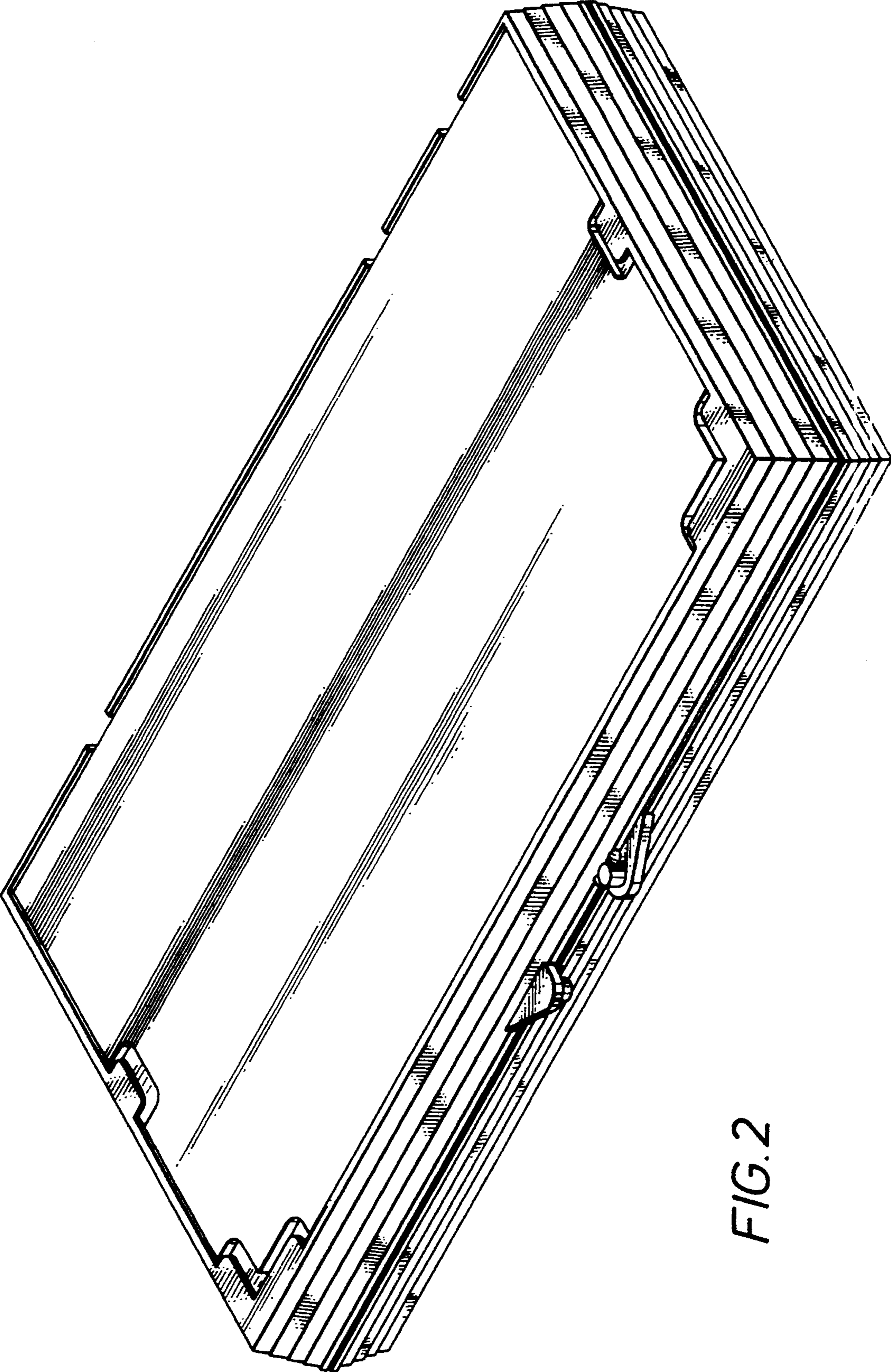


FIG. 2

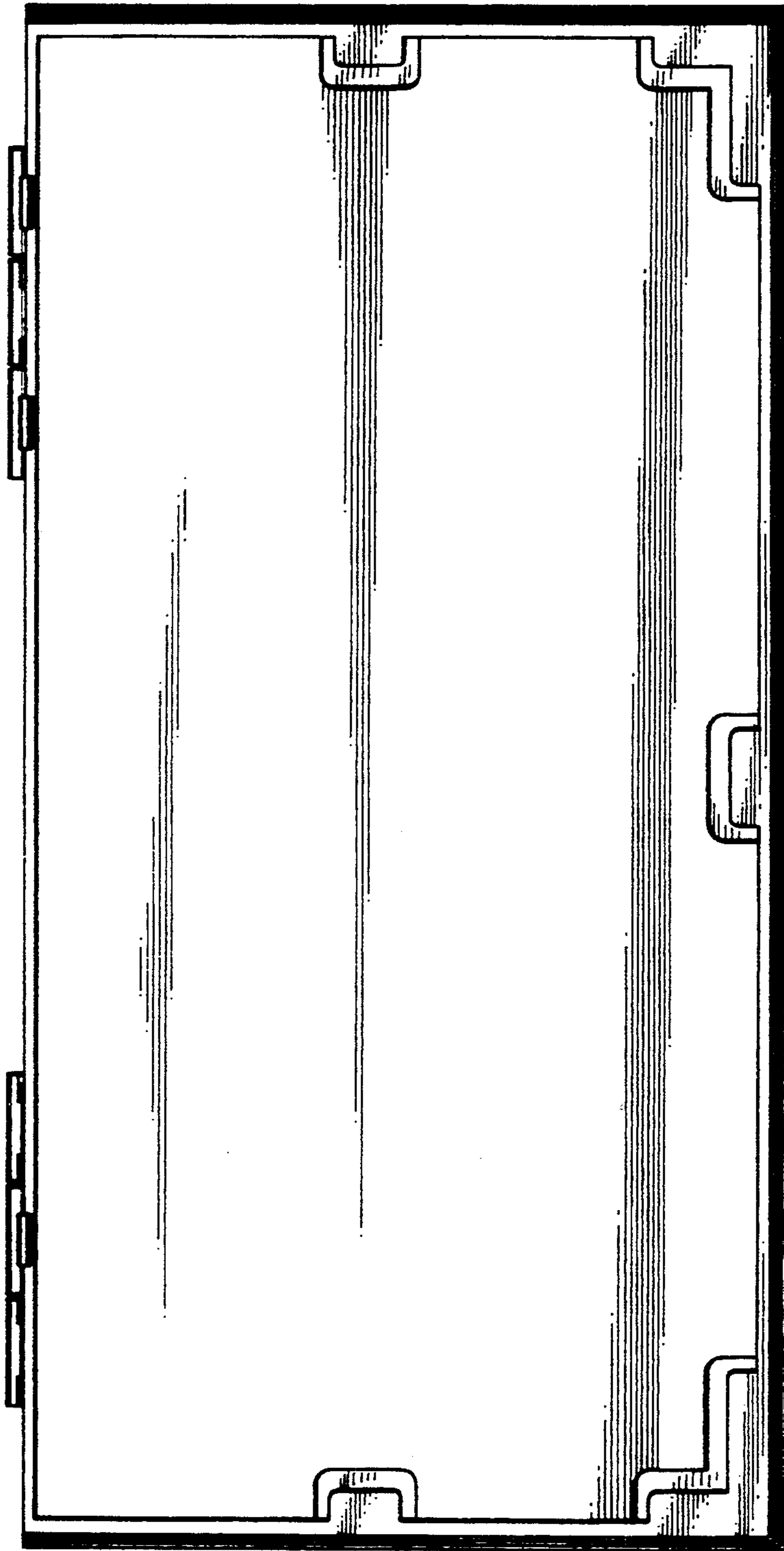


FIG. 3



FIG. 4



FIG. 5

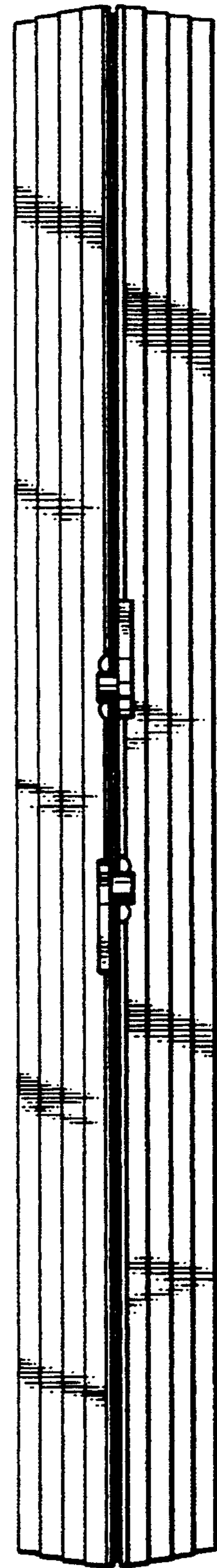


FIG. 6