



US00D356603S

United States Patent [19]

Olench et al.

[11] Patent Number: **Des. 356,603**

[45] Date of Patent: **** Mar. 21, 1995**

[54] **GAME BOARD**

[76] Inventors: **Stephen Olench**, 21 Stradbroke Place, Dauphin, Manitoba, Canada, R7N 0M8; **Walter Strilchuck**, 26-1st Avenue, N.E., Dauphin, Manitoba, Canada, R7N 1A4

[**] Term: **14 Years**

[21] Appl. No.: **18,168**

[22] Filed: **Jan. 31, 1994**

[52] U.S. Cl. **D21/16**

[58] Field of Search D10/46.1; D21/1, 11, D21/14-37; 273/236-288

[56] **References Cited**

U.S. PATENT DOCUMENTS

D. 94,622	2/1935	Pratt	D21/17
D. 96,706	8/1935	Slezak	D21/37
D. 249,902	10/1978	Zawicki et al.	D21/19
1,344,480	6/1920	Brenner	D21/11
1,971,236	8/1934	Rindfleisch	D21/14

2,893,347	7/1959	Freiberg	D10/46.1
4,006,905	2/1977	Marbury	273/148 A
4,324,405	4/1982	Kruger, Jr. et al.	273/238

FOREIGN PATENT DOCUMENTS

2558132	7/1977	Germany	273/272
2197212	5/1988	United Kingdom	273/242

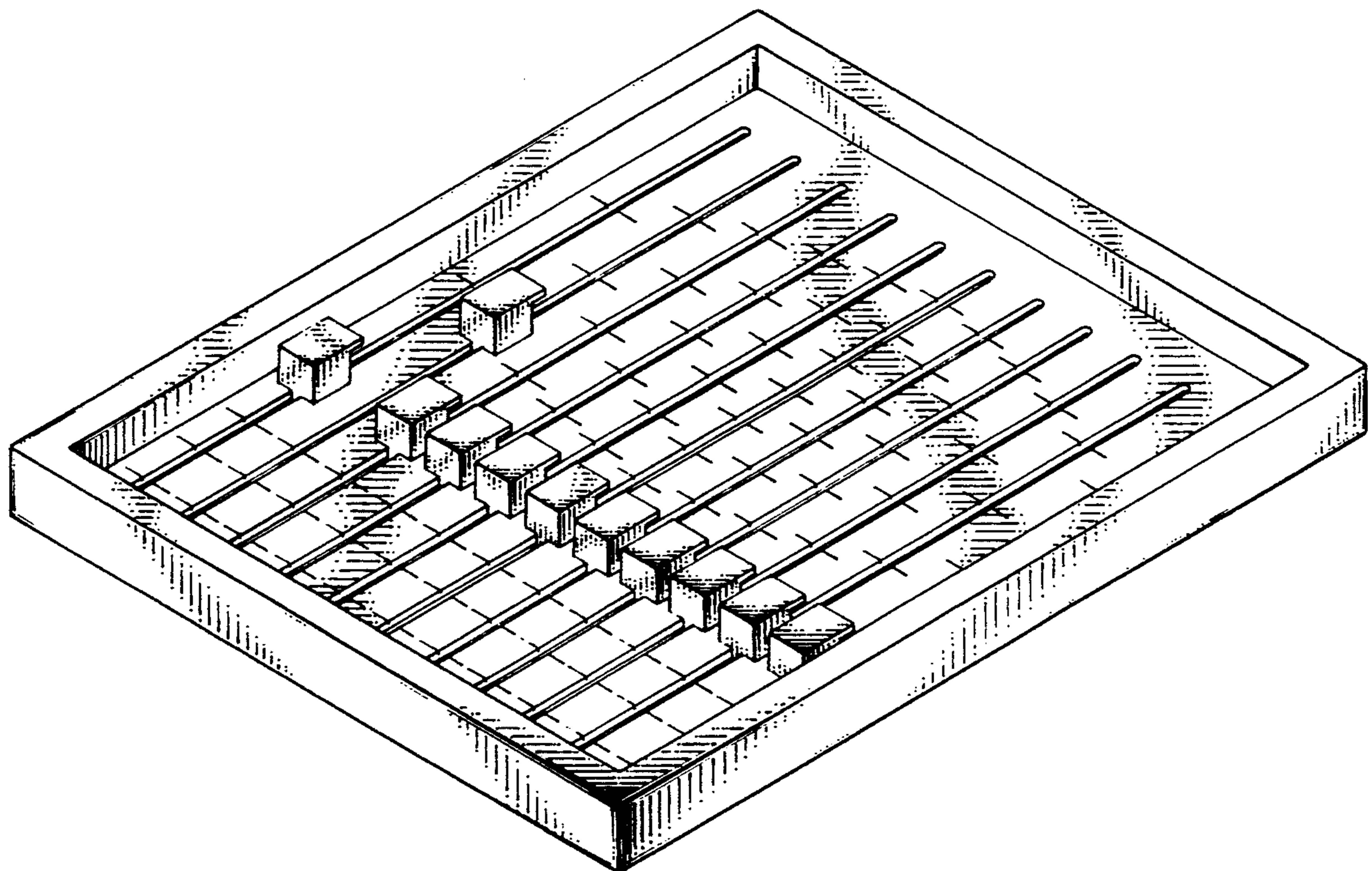
Primary Examiner—Theodore M. Shooman
Assistant Examiner—Sandra Morris
Attorney, Agent, or Firm—Adrian D. Battison; Stanley G. Ade; Murray E. Thrift

[57] **CLAIM**

The ornamental design for a game board, as shown and described.

DESCRIPTION

FIG. 1 is an isometric view of the design;
FIG. 2 is a top plan view of the design;
FIG. 3 is a side elevational view of the design;
FIG. 4 is an end elevational view of the design; and,
FIG. 5 is a bottom plan view of the design.



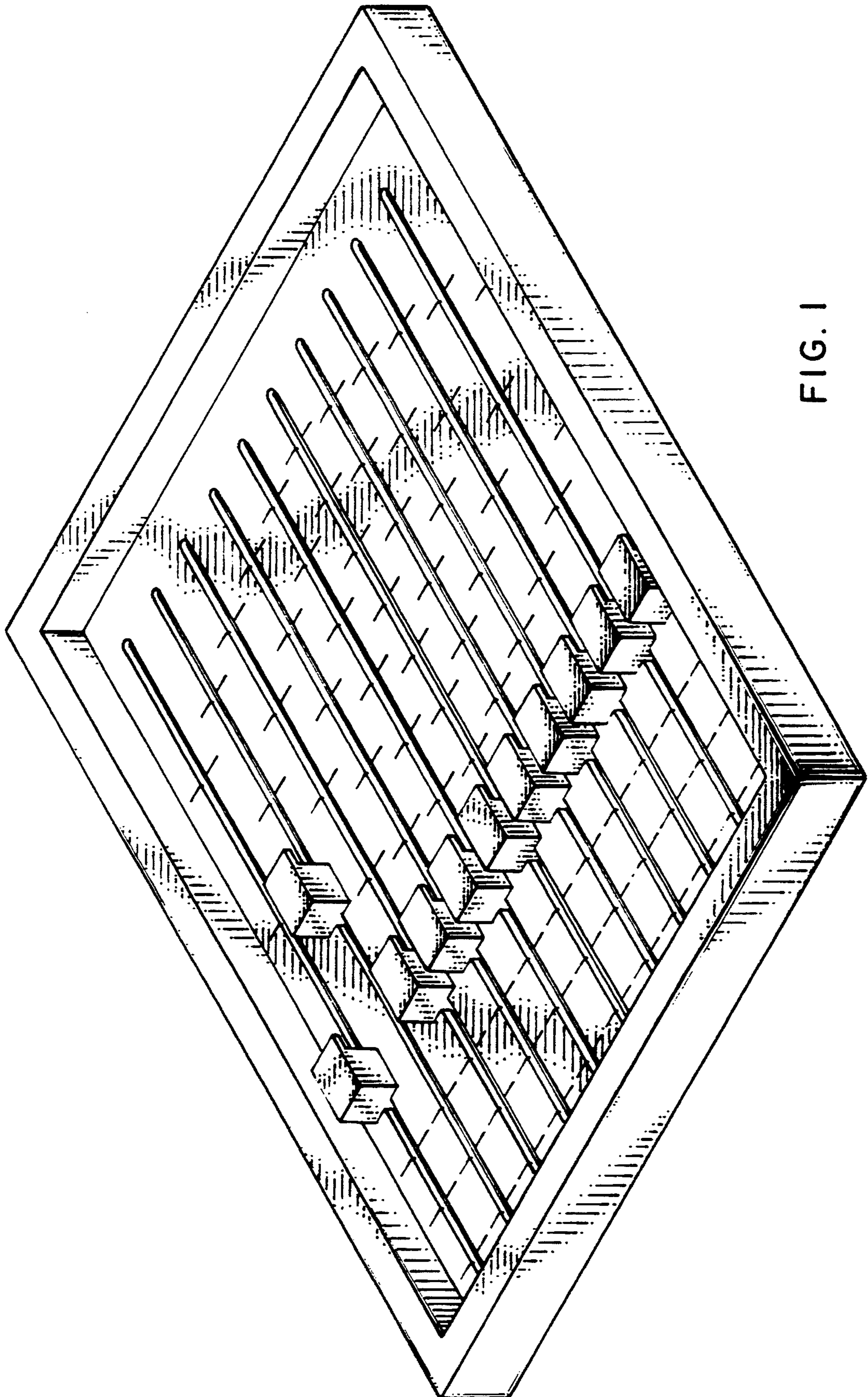


FIG. 1

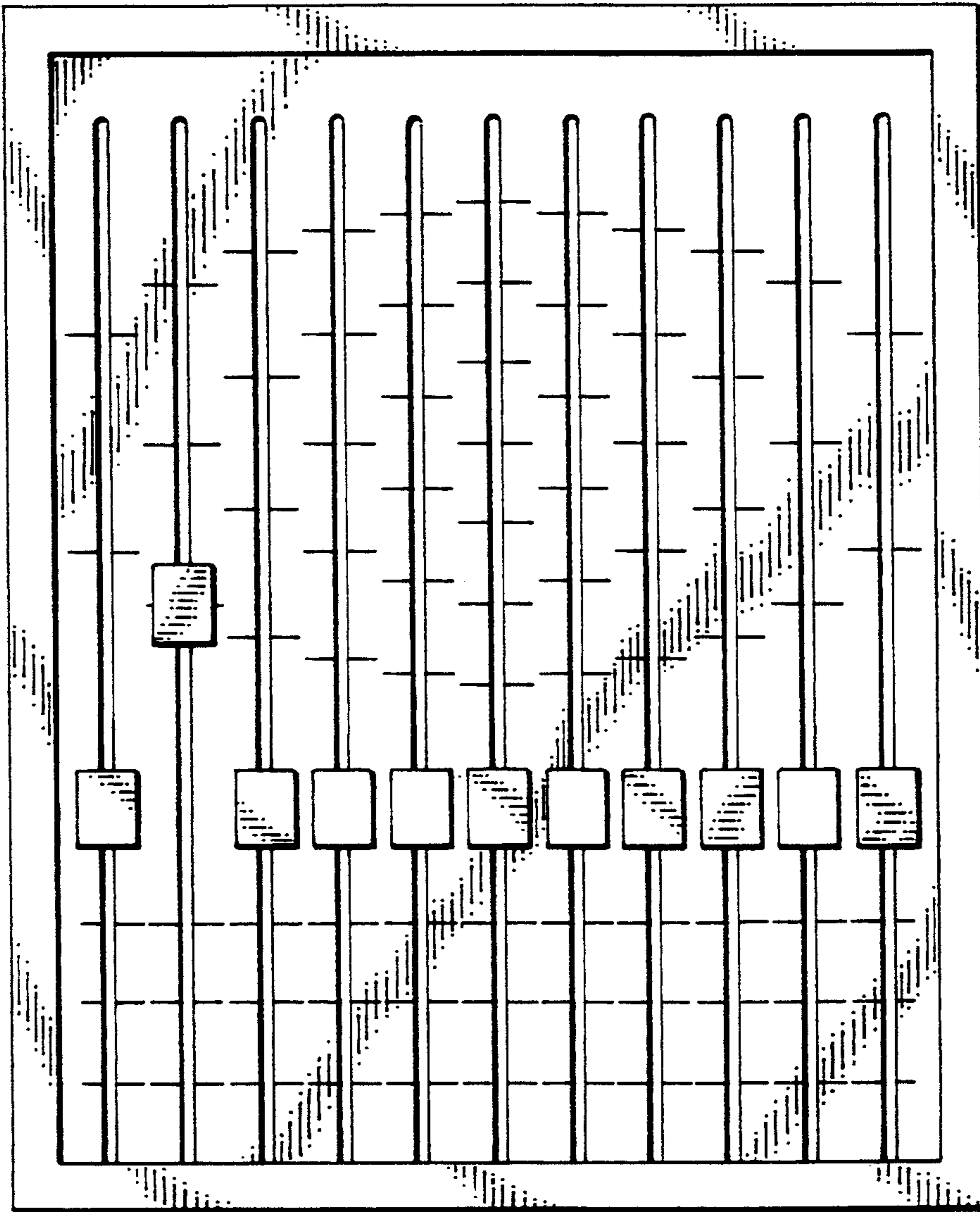


FIG. 2

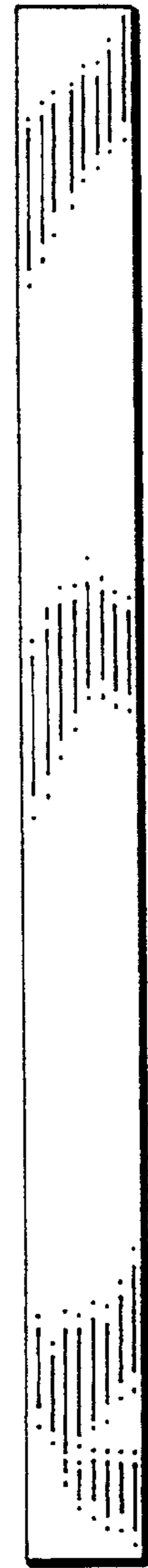


FIG. 3

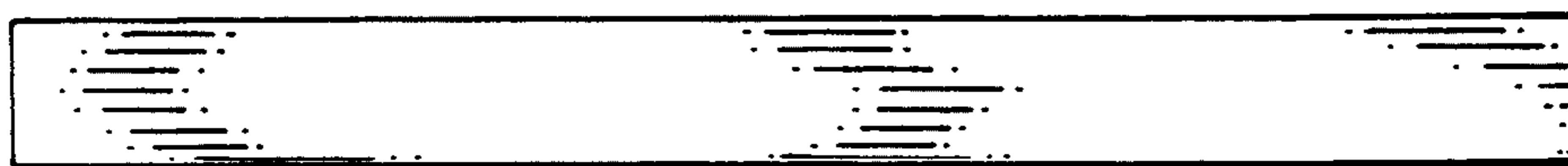


FIG. 4

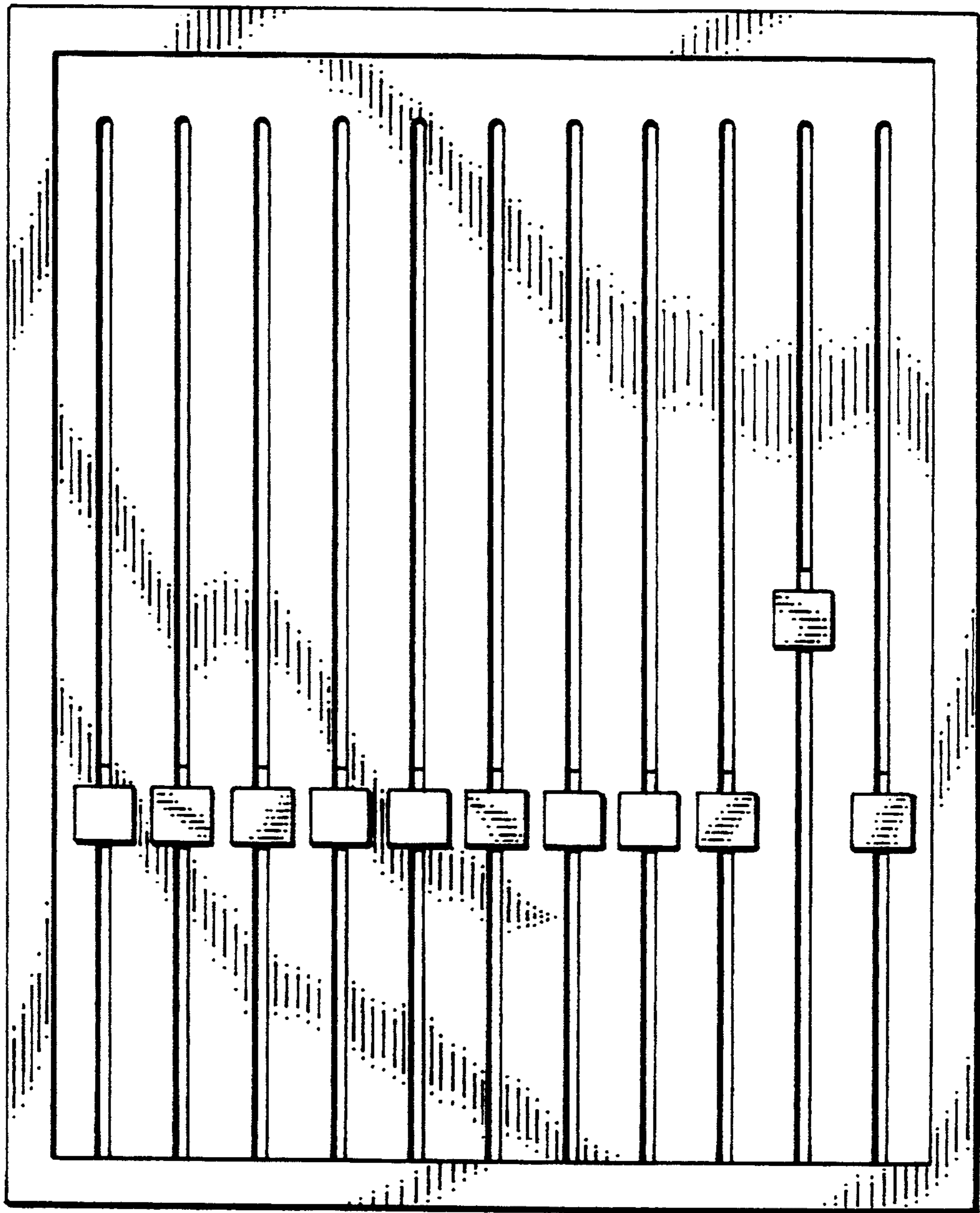


FIG. 5