



US00D356601S

United States Patent [19]

[11] Patent Number: **Des. 356,601**

Arakaki et al.

[45] Date of Patent: **** Mar. 21, 1995**

[54] **ILLUMINABLE TRANSACTION DISPLAY FOR CHECK-OUT COUNTERS**

3,396,483	8/1968	Stein et al.	40/607
3,579,880	5/1971	Murphy	40/607
3,757,444	9/1973	Magoto	40/607
4,329,801	5/1982	Clausen	40/607
4,922,223	5/1990	Prevot	340/908

[75] Inventors: **James S. Arakaki, Loomis; Allan Avnet, Fountain Valley; J. Mark Stanton, San Jose, all of Calif.**

Primary Examiner—Wallace R. Burke
Assistant Examiner—Marcus Jackson
Attorney, Agent, or Firm—Cooley Godward Castro Huddleson & Tatum

[73] Assignee: **Verifone, Inc., Redwood City, Calif.**

[**] Term: **14 Years**

[21] Appl. No.: **794,168**

[57] CLAIM

[22] Filed: **Nov. 18, 1991**

The ornamental design for a illuminable transaction display for check-out counters, as shown.

[52] U.S. Cl. **D20/41**

[58] Field of Search D20/10, 18, 29, 39, D20/40, 41; 40/540, 541, 542, 544, 584, 585, 606, 607, 618, 624; 340/908

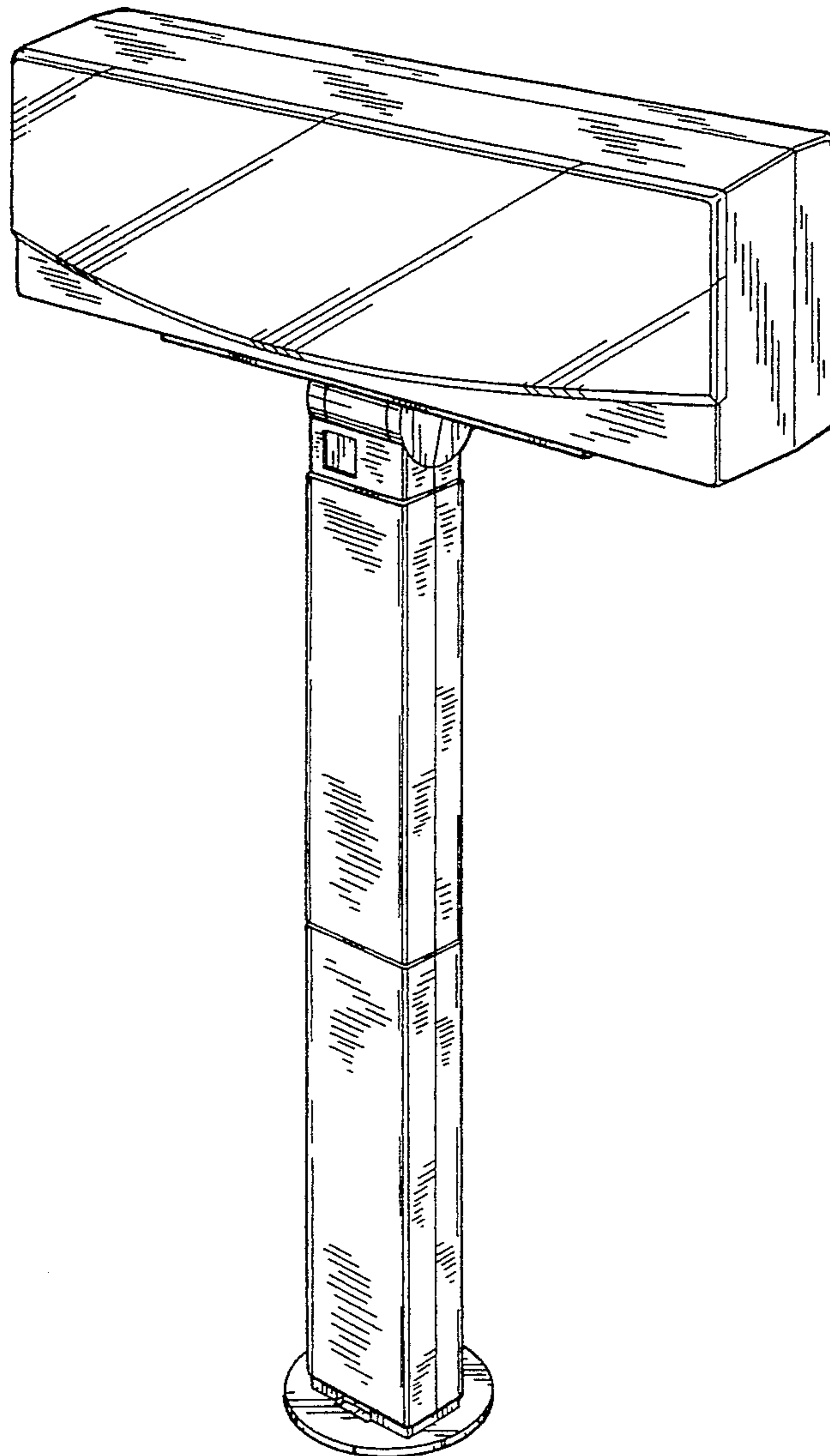
DESCRIPTION

[56] References Cited

U.S. PATENT DOCUMENTS

3,204,355 9/1965 Whitman 40/607

FIG. 1 is a perspective view of one embodiment of the illuminable transaction display for check-out counters, showing our new design;
FIG. 2 is a front view thereof;
FIG. 3 is a side view thereof; and,
FIG. 4 is a back view thereof.



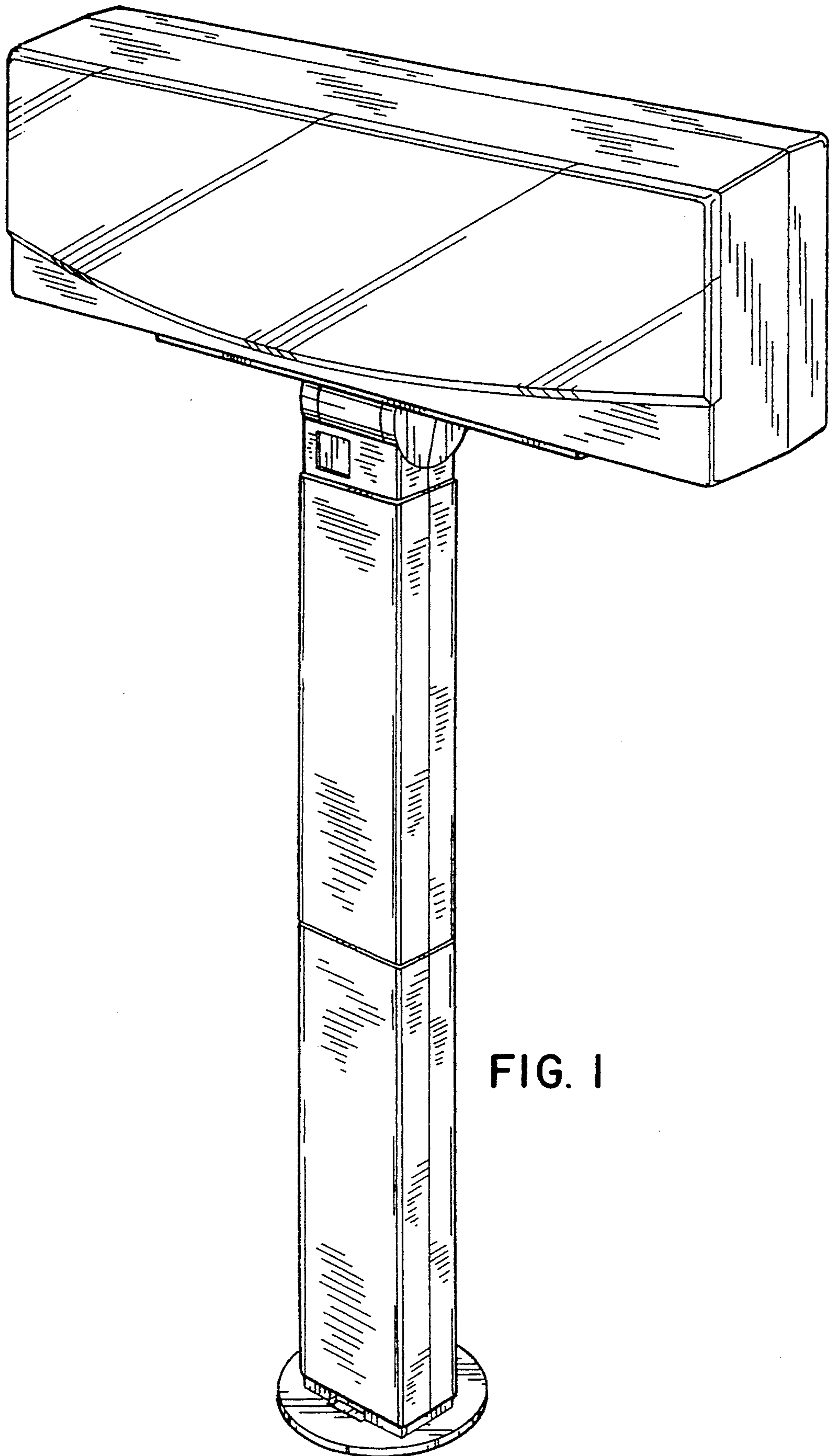


FIG. 1

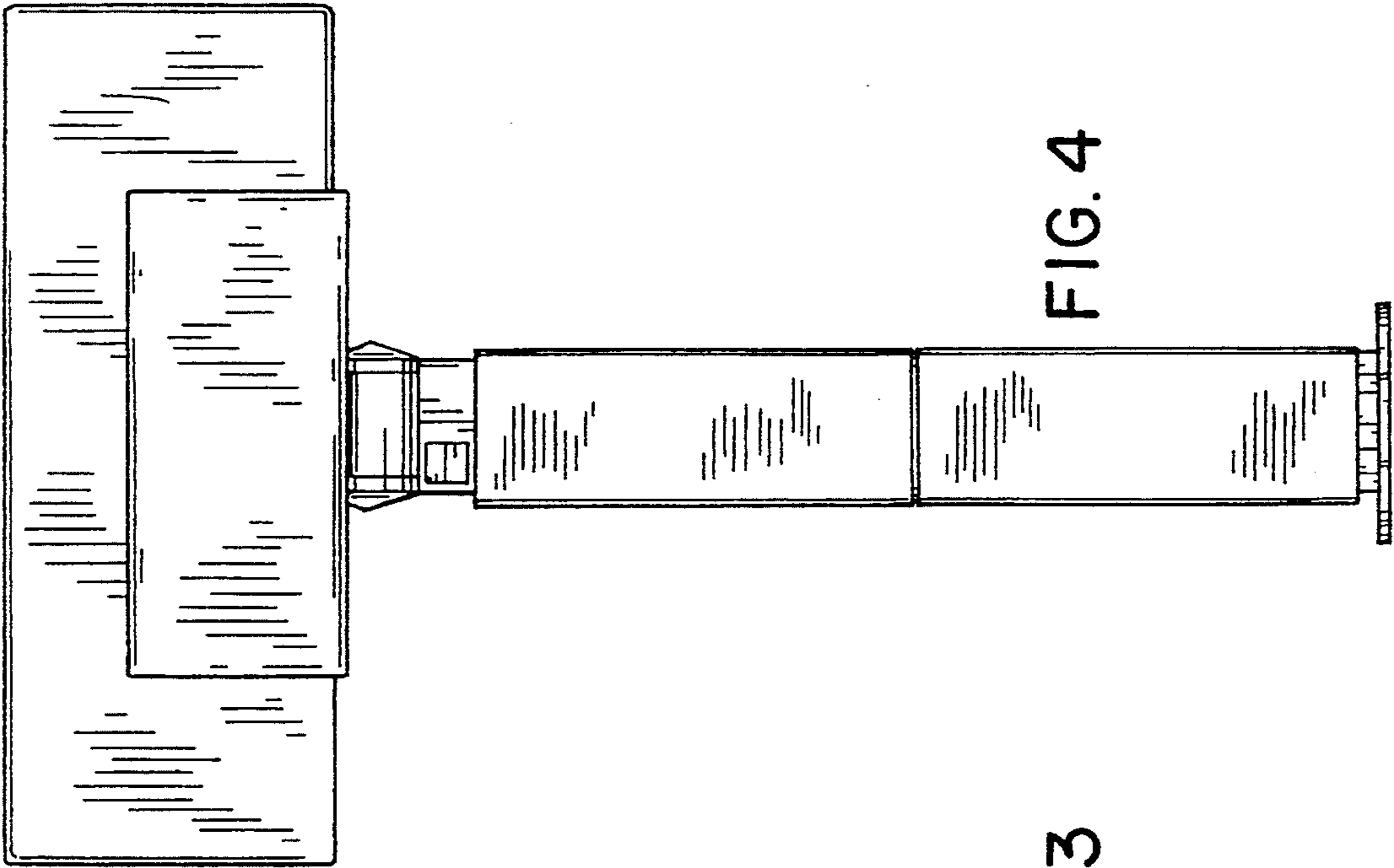


FIG. 2

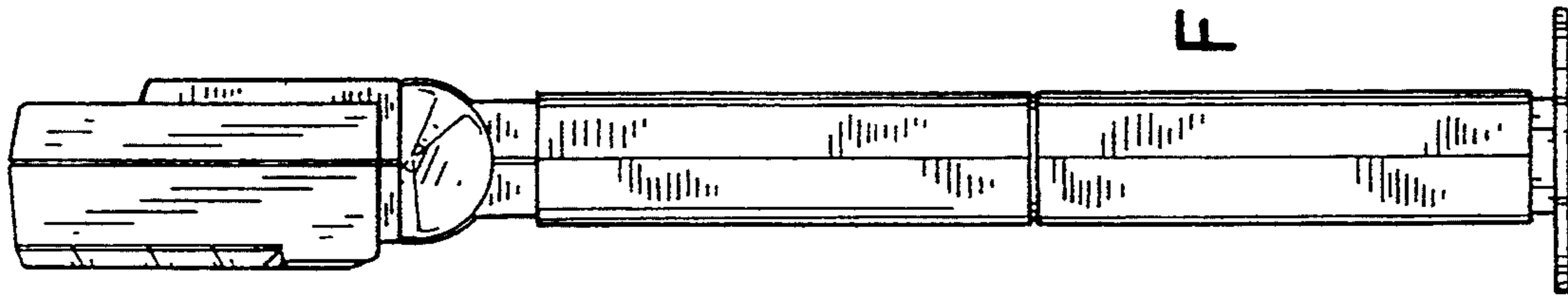


FIG. 3

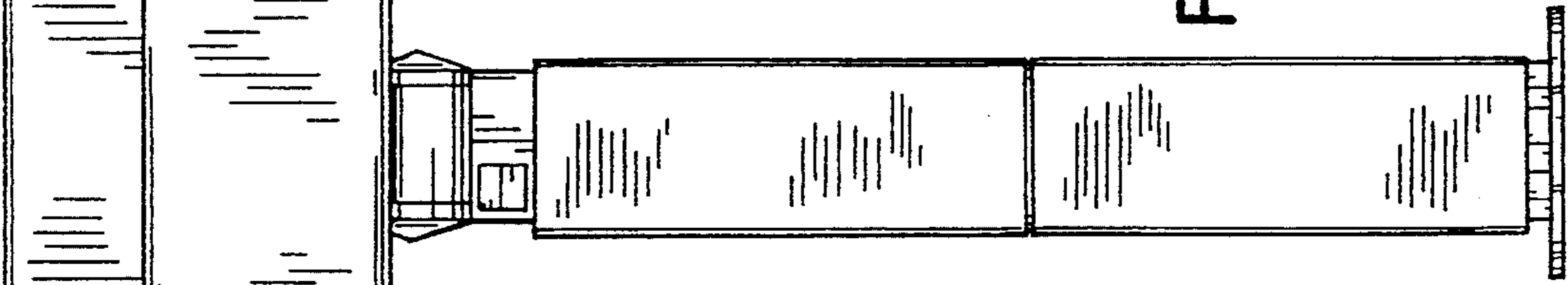


FIG. 4