



US00D356600S

**United States Patent** [19]  
**Hibbs**

[11] **Patent Number: Des. 356,600**  
[45] **Date of Patent: \*\* Mar. 21, 1995**

[54] **IDENTIFICATION TAB FOR EYEGLASSES**

3,678,886 7/1992 Jibbet ..... 116/173

[76] **Inventor: Dawn W. Hibbs, 10 Monserrat,  
Foothill Ranch, Calif. 92610**

*Primary Examiner*—James M. Gandy  
*Assistant Examiner*—Marcus Jackson  
*Attorney, Agent, or Firm*—Francis X. LoJacono

[\*\*] **Term: 14 Years**

[21] **Appl. No.: 25,712**

[57] **CLAIM**

[22] **Filed: Jul. 11, 1994**

The ornamental design for an identification tab for eye-  
glasses, as shown and described.

[52] **U.S. Cl. .... D20/22**

[58] **Field of Search .... D20/10, 22, 23, 27,  
D20/28, 40, 42, 43; D6/315; 40/1, 124, 124.1,  
124.2, 124.4, 316, 299, 334, 359, 649, 658**

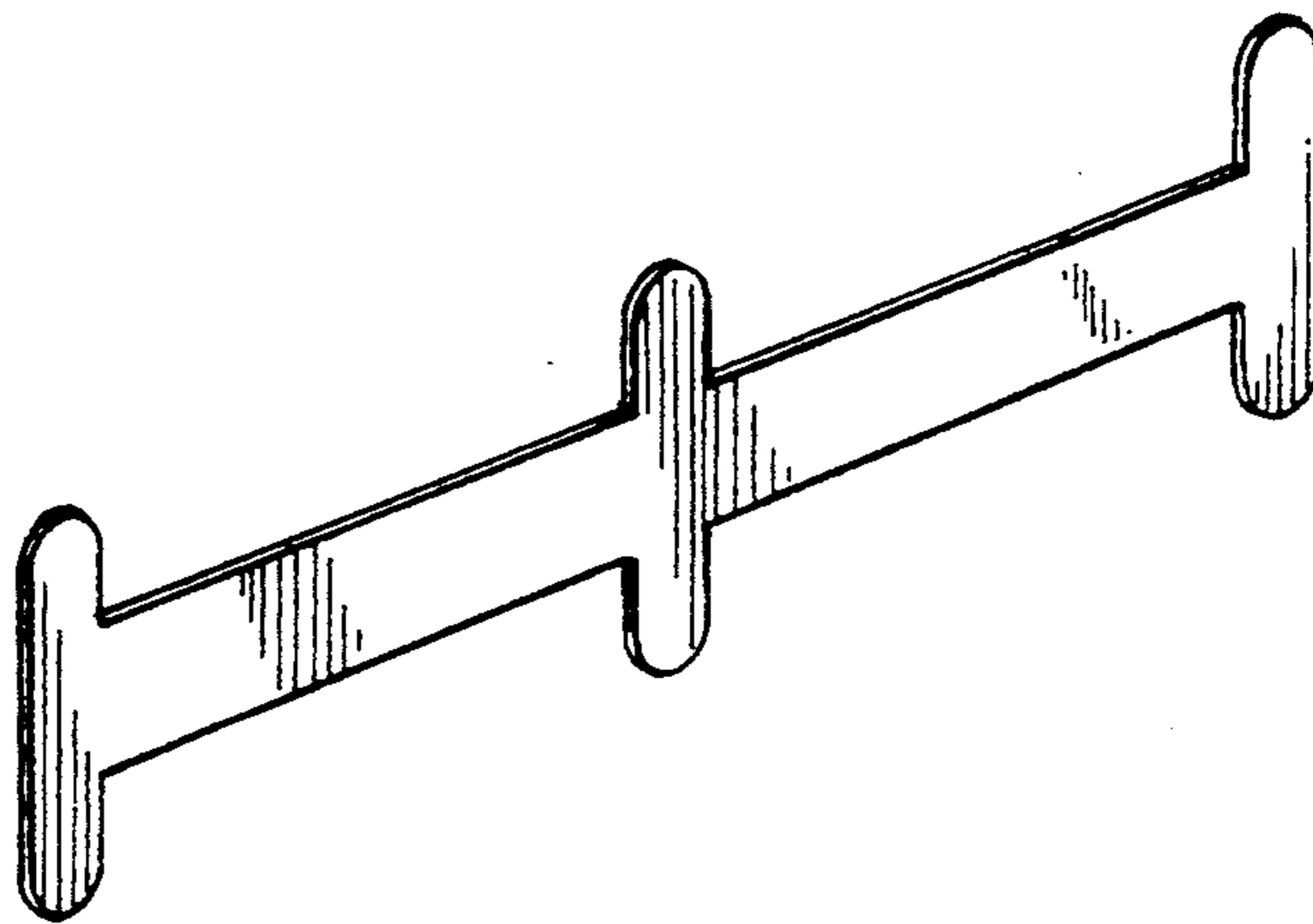
**DESCRIPTION**

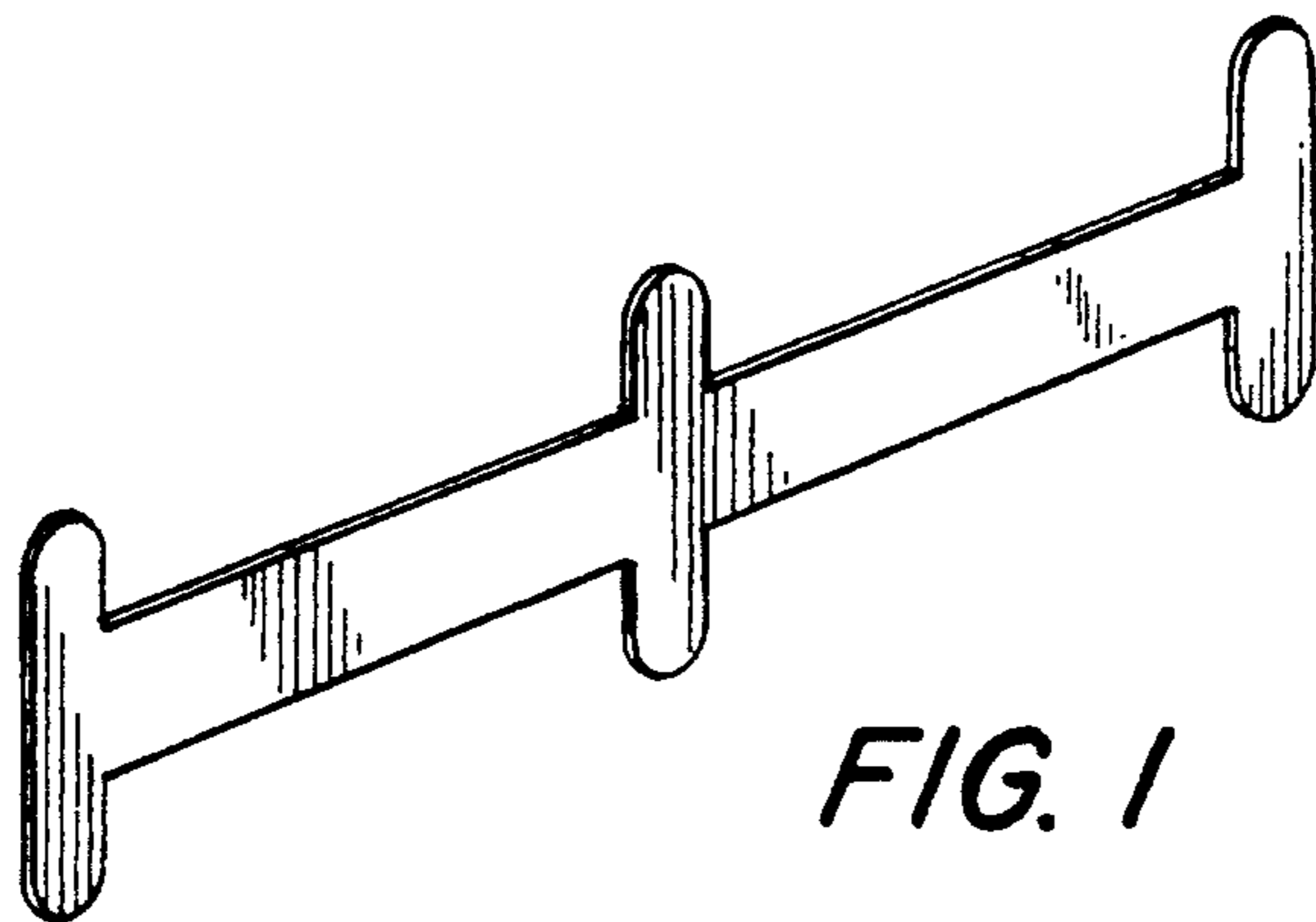
[56] **References Cited**

**U.S. PATENT DOCUMENTS**

- D. 248,960 8/1978 Iverson ..... D20/23
- D. 277,115 1/1985 Ziebman ..... D20/27
- D. 350,988 9/1994 Kravitz ..... D20/22

FIG. 1 is a perspective view of an identification tab for eyeglasses showing my new design thereof;  
FIG. 2 is a front-elevational view thereof;  
FIG. 3 is a left side view thereof;  
FIG. 4 is a right side view thereof;  
FIG. 5 is a rear-elevational view thereof;  
FIG. 6 is a top plan view thereof; and,  
FIG. 7 is a bottom plan view thereof.

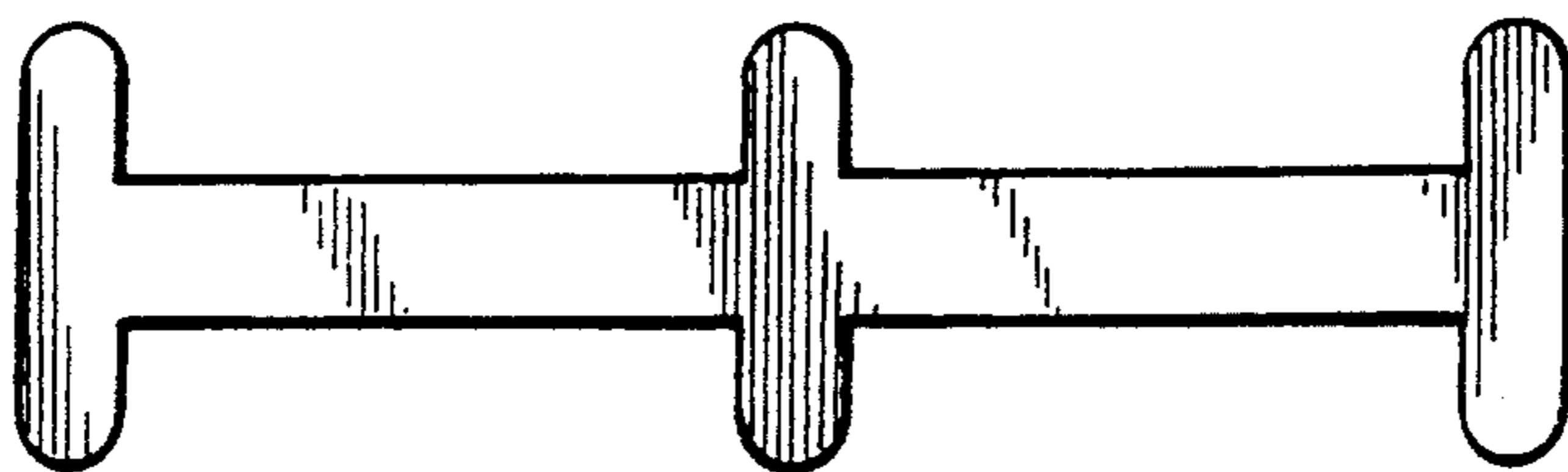




*FIG. 1*



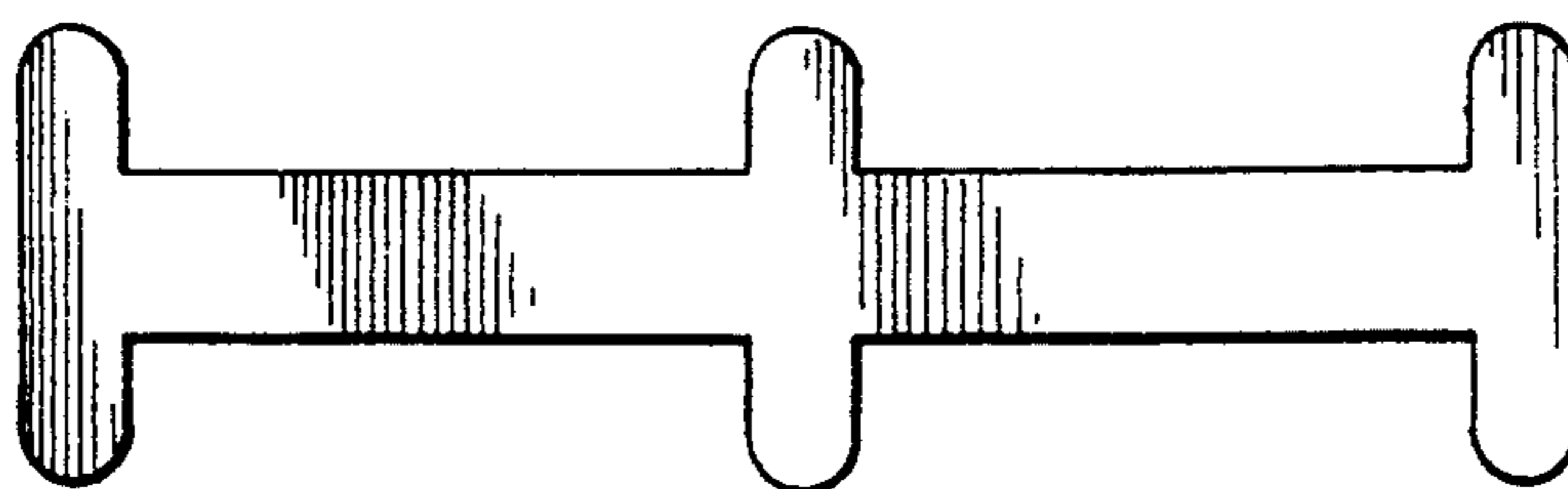
*FIG. 3*



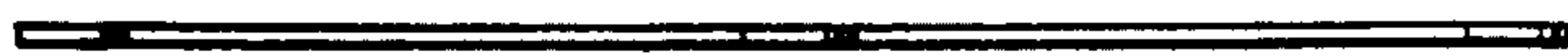
*FIG. 2*



*FIG. 4*



*FIG. 5*



*FIG. 6*



*FIG. 7*