



US00D356598S

# United States Patent [19]

[11] Patent Number: **Des. 356,598**

Thompson et al.

[45] Date of Patent: **\*\* Mar. 21, 1995**

[54] PEN

[75] Inventors: **John Thompson**, Medfield; **Norman D. Poisson**, Andover; **William E. Tucker**, Attleboro, all of Mass.; **William T. O'Connor**, Londonderry, N.H.; **Ming K. Leung**; **David A. Edgerley**, both of London, England

[73] Assignee: **The Gillette Company**, Boston, Mass.

[\*\*] Term: **14 Years**

[21] Appl. No.: **15,049**

[22] Filed: **Nov. 4, 1993**

[52] U.S. Cl. .... **D19/49; D19/51; D19/56**

[58] Field of Search ..... **D19/35, 36, 41-51, D19/54-58, 81-85; 401/99, 100, 103, 104, 209**

[56] **References Cited**

**U.S. PATENT DOCUMENTS**

D. 86,111	2/1932	Cuthbert	.....	D19/56
D. 108,111	1/1938	Trollen	.....	D19/49
D. 128,391	7/1941	Christenson, Jr.	.....	D19/48
D. 137,866	5/1944	Loewy	.....	D19/47 X
D. 139,839	12/1944	Winter	.....	D19/49
D. 148,966	3/1948	Wallace	.....	D19/56
D. 151,052	9/1948	Lipic	.....	D19/49
D. 159,337	7/1950	Hagel	.....	D19/49
D. 172,929	8/1954	Kahla	.....	D19/49
D. 216,844	3/1970	Shimada	.....	D19/49
D. 217,646	5/1970	DeGroft	.....	D19/49
D. 218,862	9/1970	Sherman	.....	D19/49
D. 221,033	6/1971	Wakai	.....	D19/49
D. 239,112	3/1976	Marynissen	.....	D19/45
D. 251,123	2/1979	Horstrich	.....	D19/49
D. 260,021	7/1981	Carré	.....	D19/49
D. 275,297	8/1984	Toshiharu	.....	D19/49
D. 302,174	7/1989	Coburn	.....	D19/36
D. 324,397	3/1992	von Elder et al.	.....	D19/49
D. 324,543	3/1992	Poisson	.....	D19/49
D. 328,918	8/1992	Buda et al.	.....	D19/51 X

**OTHER PUBLICATIONS**

Hitchcock Publication, Jan. 1985 Office Products Dealer.

Hitchcock Publication, Oct. 1985 Office Products Dealer.

N. Shure Cat. #130 1938.

*Primary Examiner*—Martie Thompson

*Attorney, Agent, or Firm*—Paul I. Douglas

[57] **CLAIM**

The ornamental design for a pen, as shown and described.

**DESCRIPTION**

FIG. 1 is a front isometric view of a pen showing our new design;

FIG. 2 is a bottom plan view thereof;

FIG. 3 is a top plan view thereof;

FIG. 4 is a front elevational view;

FIG. 5 is a right side elevational view thereof;

FIG. 6 is a rear elevational view thereof;

FIG. 7 is a front isometric view of a second embodiment of our new design;

FIG. 8 is a bottom plan view of FIG. 7;

FIG. 9 is a top plan view of FIG. 7;

FIG. 10 is a front elevational view of FIG. 7;

FIG. 11 is a right side elevational view of FIG. 7;

FIG. 12 is a rear elevational view of FIG. 7;

FIG. 13 is a front isometric view of a third embodiment of our new design;

FIG. 14 is a bottom plan view of FIG. 13;

FIG. 15 is a top plan view of FIG. 13;

FIG. 16 is a front elevational view of FIG. 13;

FIG. 17 is a right side elevational view of FIG. 13;

FIG. 18 is a rear elevational view of FIG. 13;

FIG. 19 is a front isometric view of a fourth embodiment of our new design;

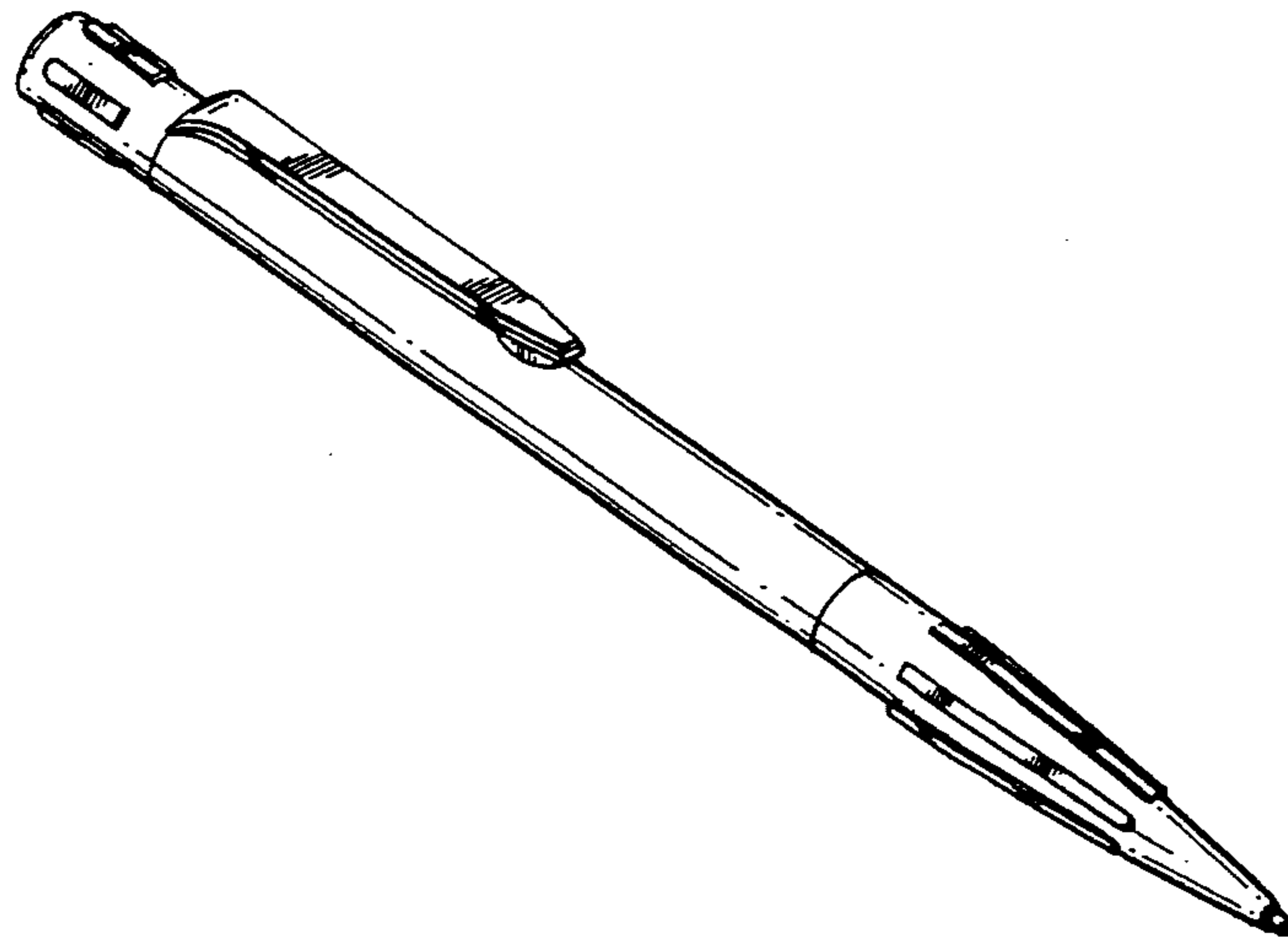
FIG. 20 is a bottom plan view of FIG. 19;

FIG. 21 is a top plan view of FIG. 19;

FIG. 22 is a front elevational view of FIG. 19;

FIG. 23 is a right side elevational view of FIG. 19; and,

FIG. 24 is a rear elevational view of FIG. 19.



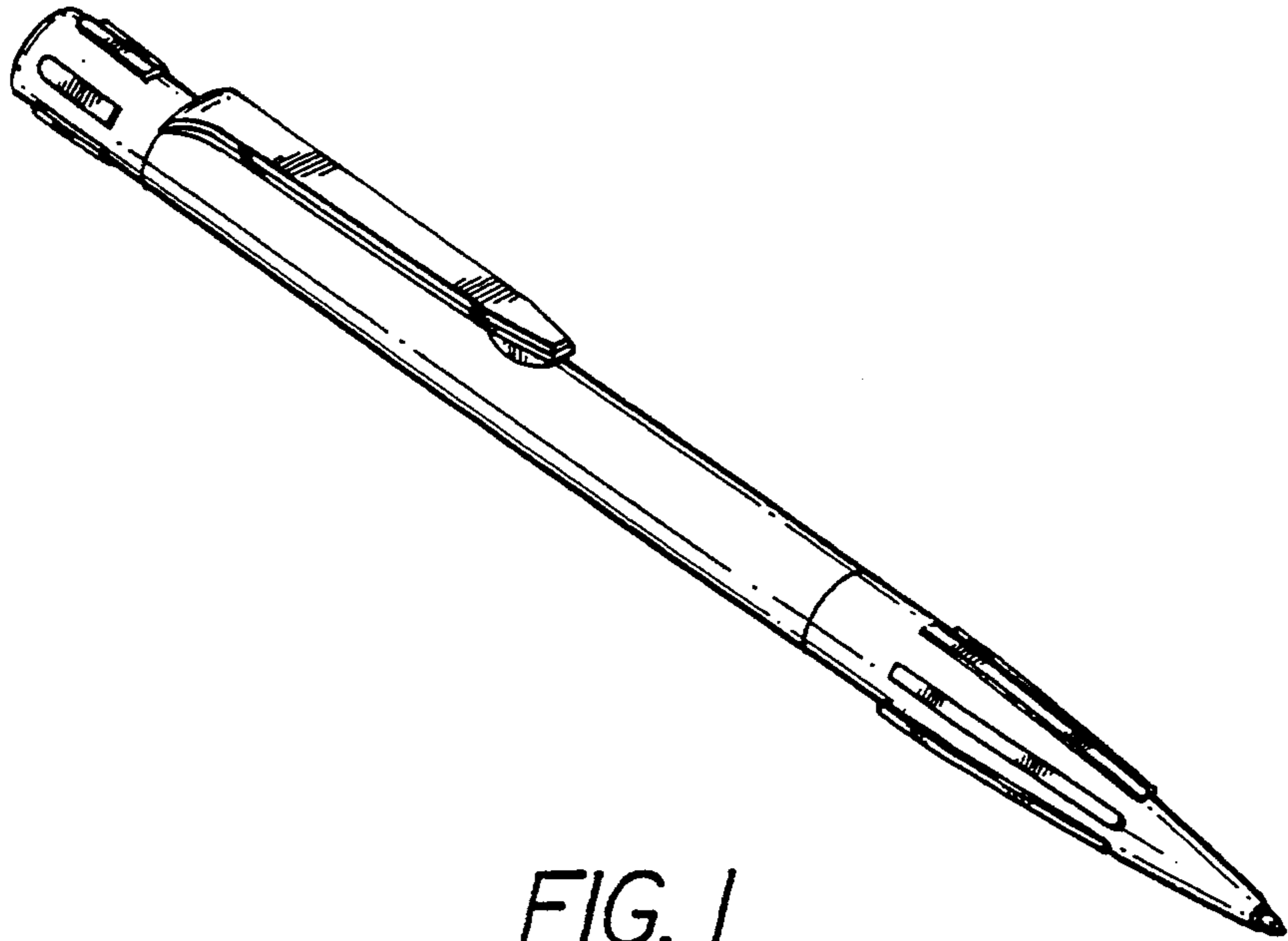


FIG. 1



FIG. 2



FIG. 3



FIG. 4



FIG. 5



FIG. 6

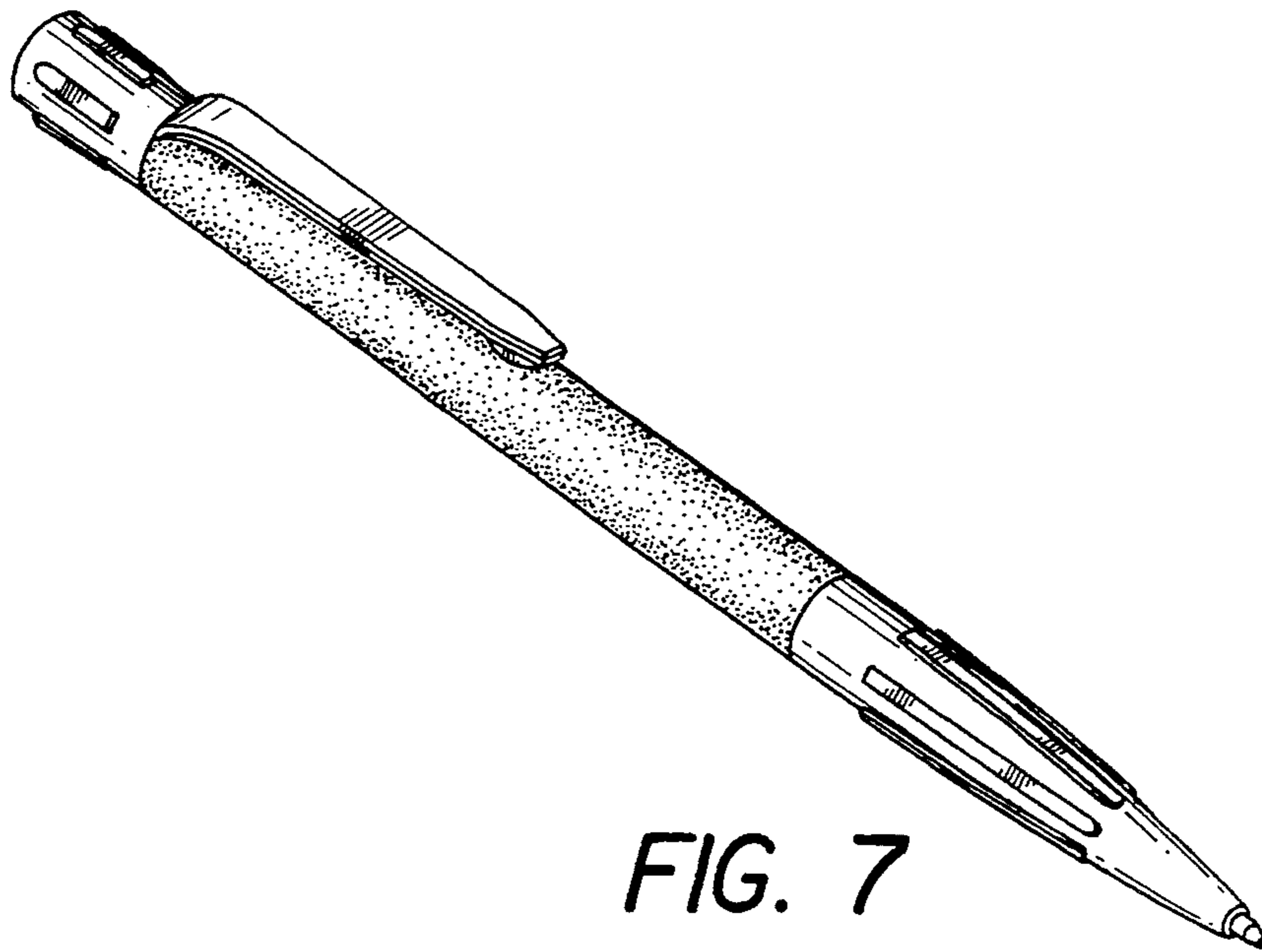


FIG. 7

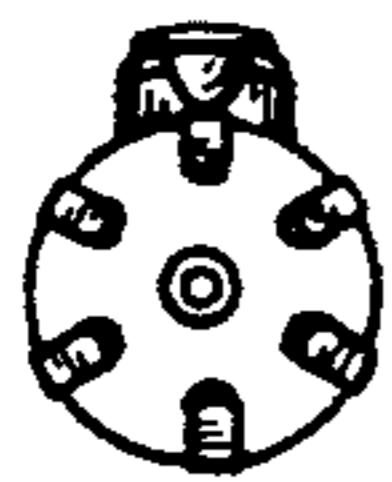


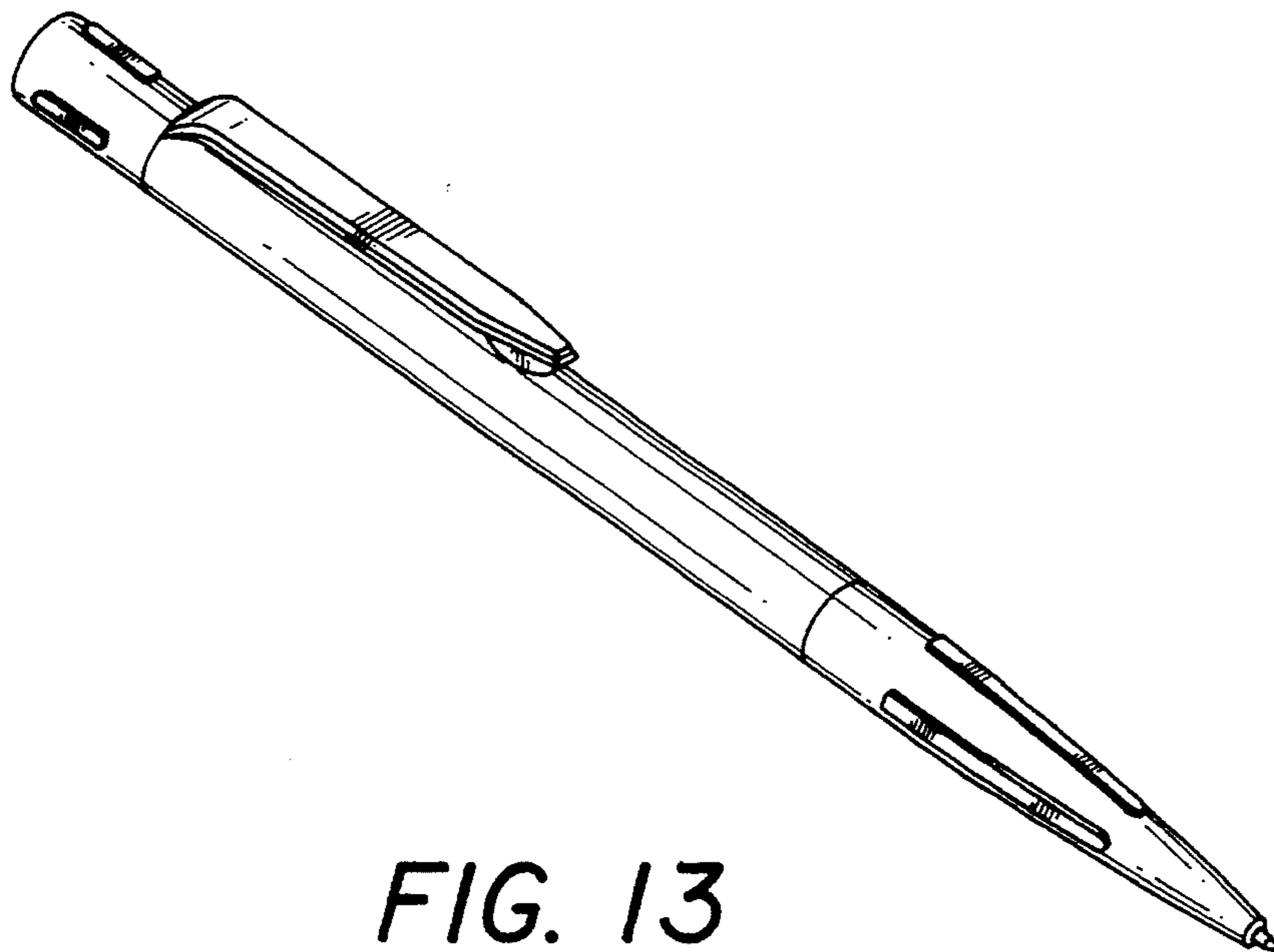
FIG. 8



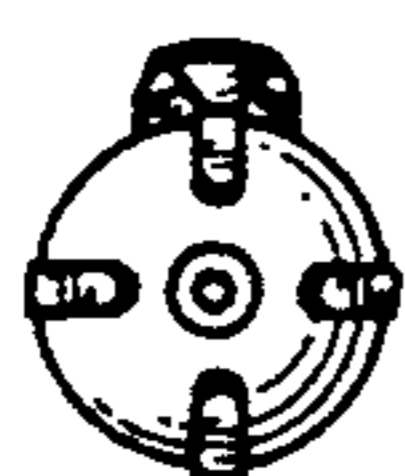
FIG. 9



FIG. 10 FIG. 11 FIG. 12



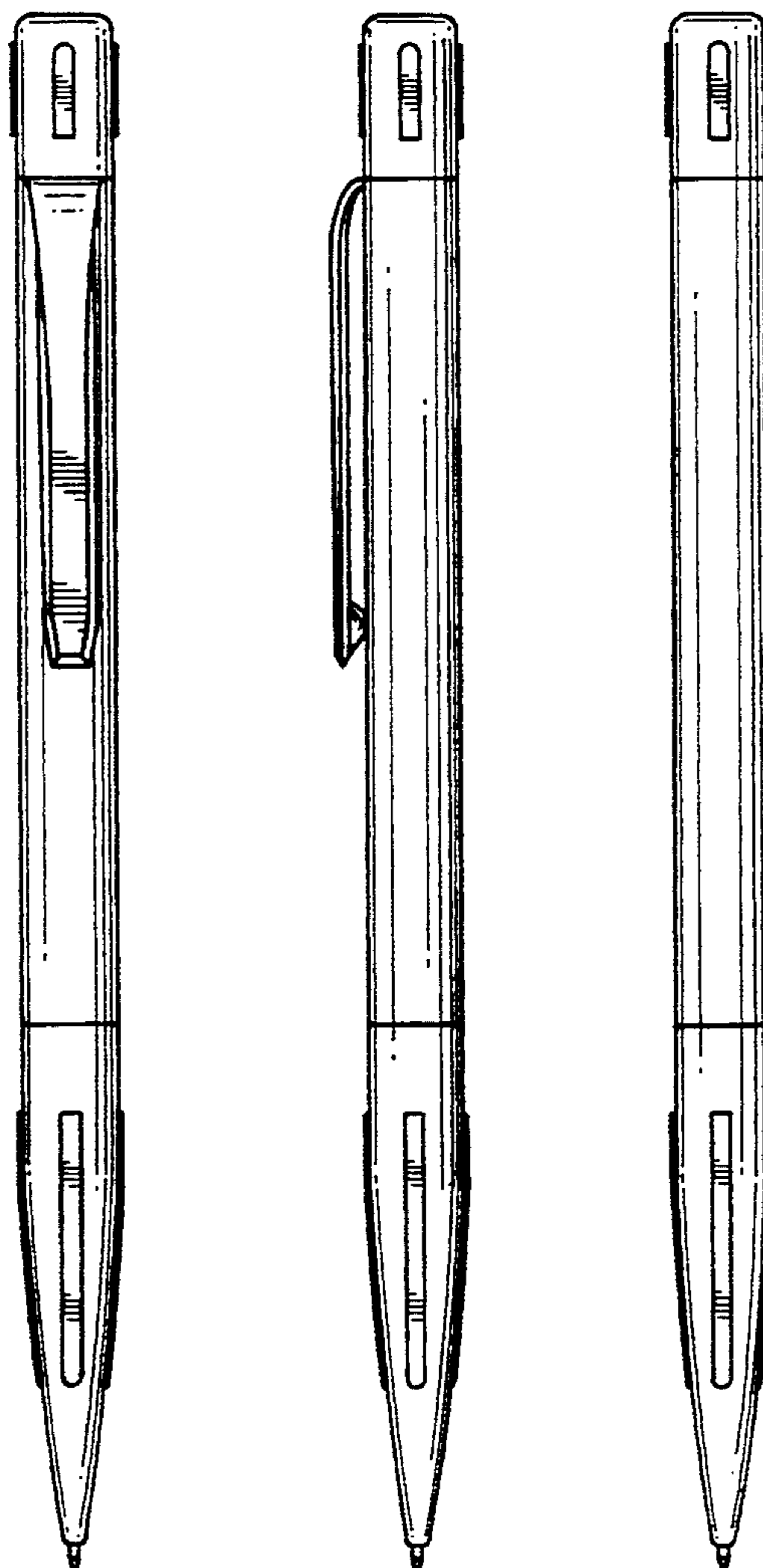
*FIG. 13*



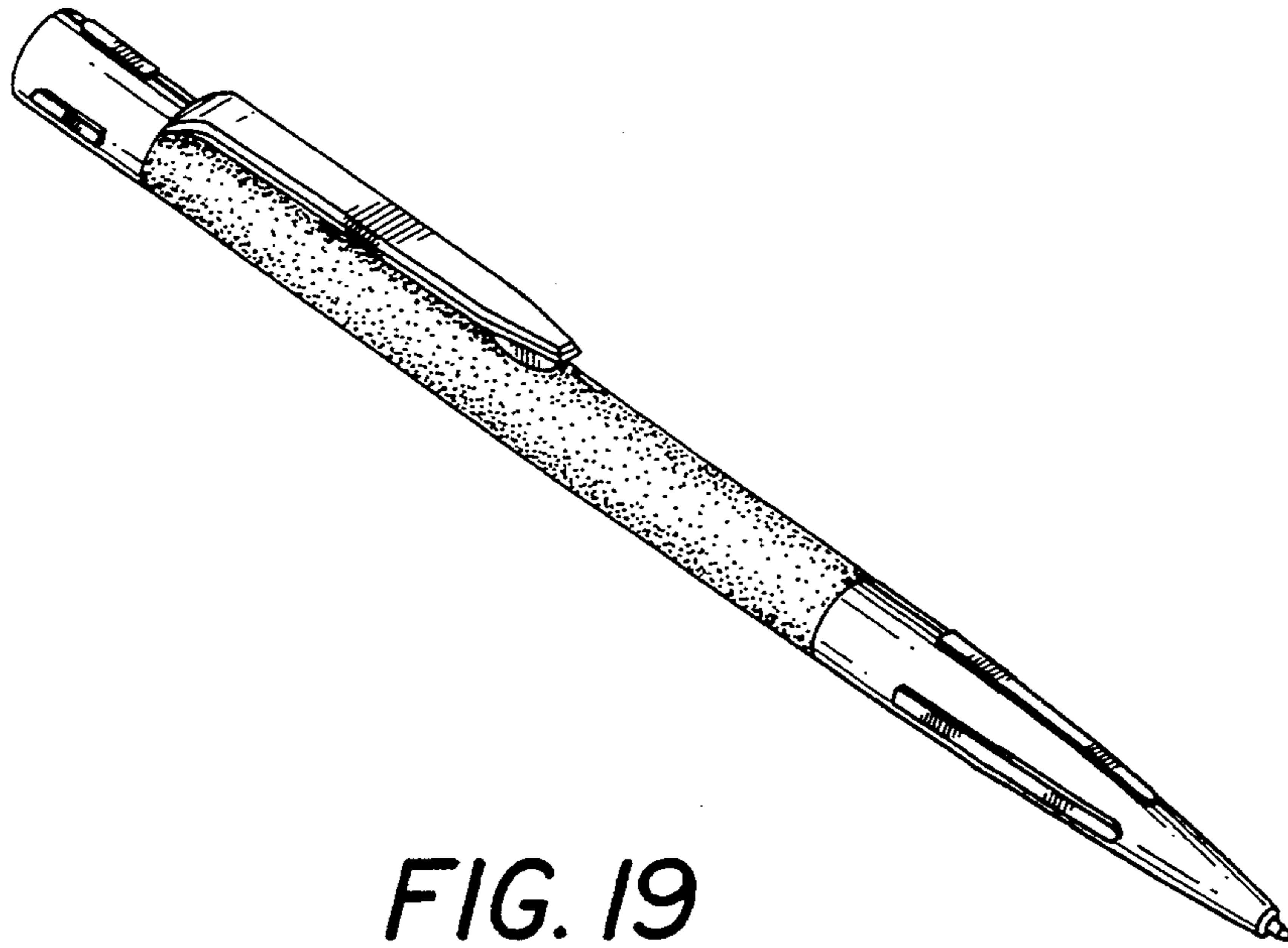
*FIG. 14*



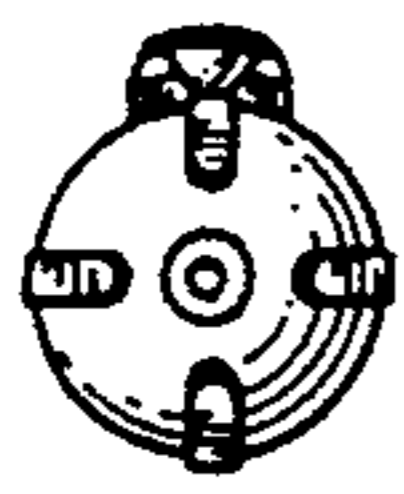
*FIG. 15*



*FIG. 16 FIG. 17 FIG. 18*



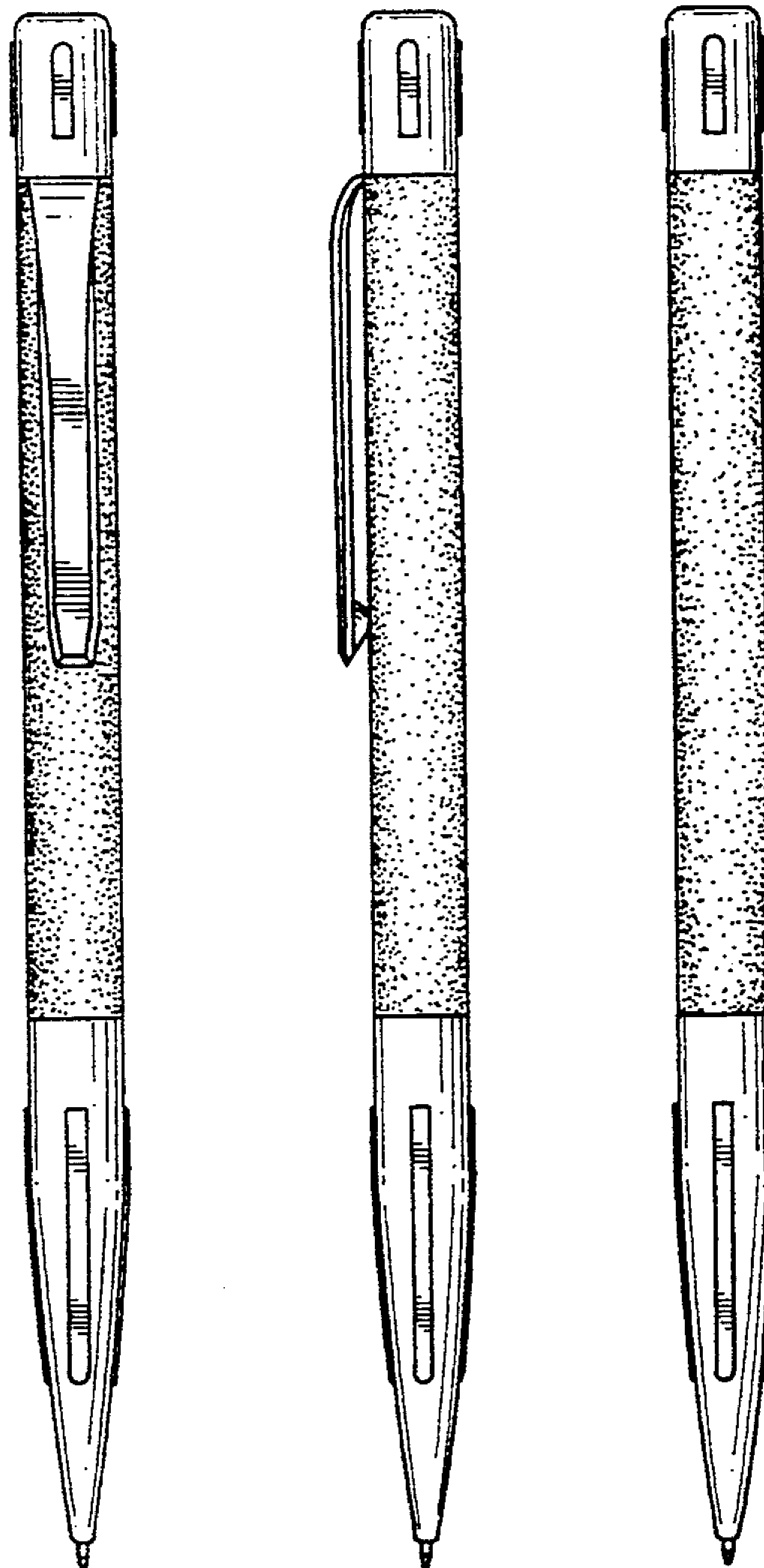
*FIG. 19*



*FIG. 20*



*FIG. 21*



*FIG. 22 FIG. 23 FIG. 24*