



US00D356591S

# United States Patent [19]

[11] Patent Number: **Des. 356,591**

**Kanner et al.**

[45] Date of Patent: **\*\* Mar. 21, 1995**

[54] CONTACT LENS CASE

[56]

### References Cited

[75] Inventors: **Rowland W. Kanner**, Guntersville;  
**Stephen P. Lisak**; **Terry B. Kehne**,  
both of Arab, all of Ala.

### U.S. PATENT DOCUMENTS

D. 236,440	8/1975	Rendahl .....	D9/504
D. 333,617	3/1993	Brown .....	D9/503
3,128,029	4/1964	Price .....	D9/500
3,129,692	4/1964	Sanderson .....	D9/504
3,291,361	12/1966	Commeyras .....	D9/500
5,019,084	5/1991	Aysta .....	206/5.1
5,186,317	2/1993	Ryder .....	206/5.1

[73] Assignee: **Ryder International Corporation**,  
Arab, Ala.

[\*\*] Term: **14 Years**

*Primary Examiner*—Bernard Ansher  
*Assistant Examiner*—R. Barkai  
*Attorney, Agent, or Firm*—Trexler, Bushnell, Giangiorgi  
& Blackstone, Ltd.

[21] Appl. No.: **9,753**

[22] Filed: **Jun. 18, 1993**

### [57] CLAIM

The ornamental design for a contact lens case, as show and described.

### Related U.S. Application Data

[63] Continuation of Ser. No. 13,812, Feb. 2, 1993, abandoned.

[52] U.S. Cl. .... **D16/331**; D9/503

[58] Field of Search ..... D16/124, 129; D3/263,  
D3/264, 201; D7/509, 538, 510, 511, 523;  
D9/500, 503, 504; 206/5.1; 220/669, 670, 673,  
675

### DESCRIPTION

FIG. 1 is a perspective view of a contact lens case, showing our new design;  
FIG. 2 is a side elevational view thereof, the other side views being identical;  
FIG. 3 is a top plan view thereof; and,  
FIG. 4 is a bottom plan view thereof.

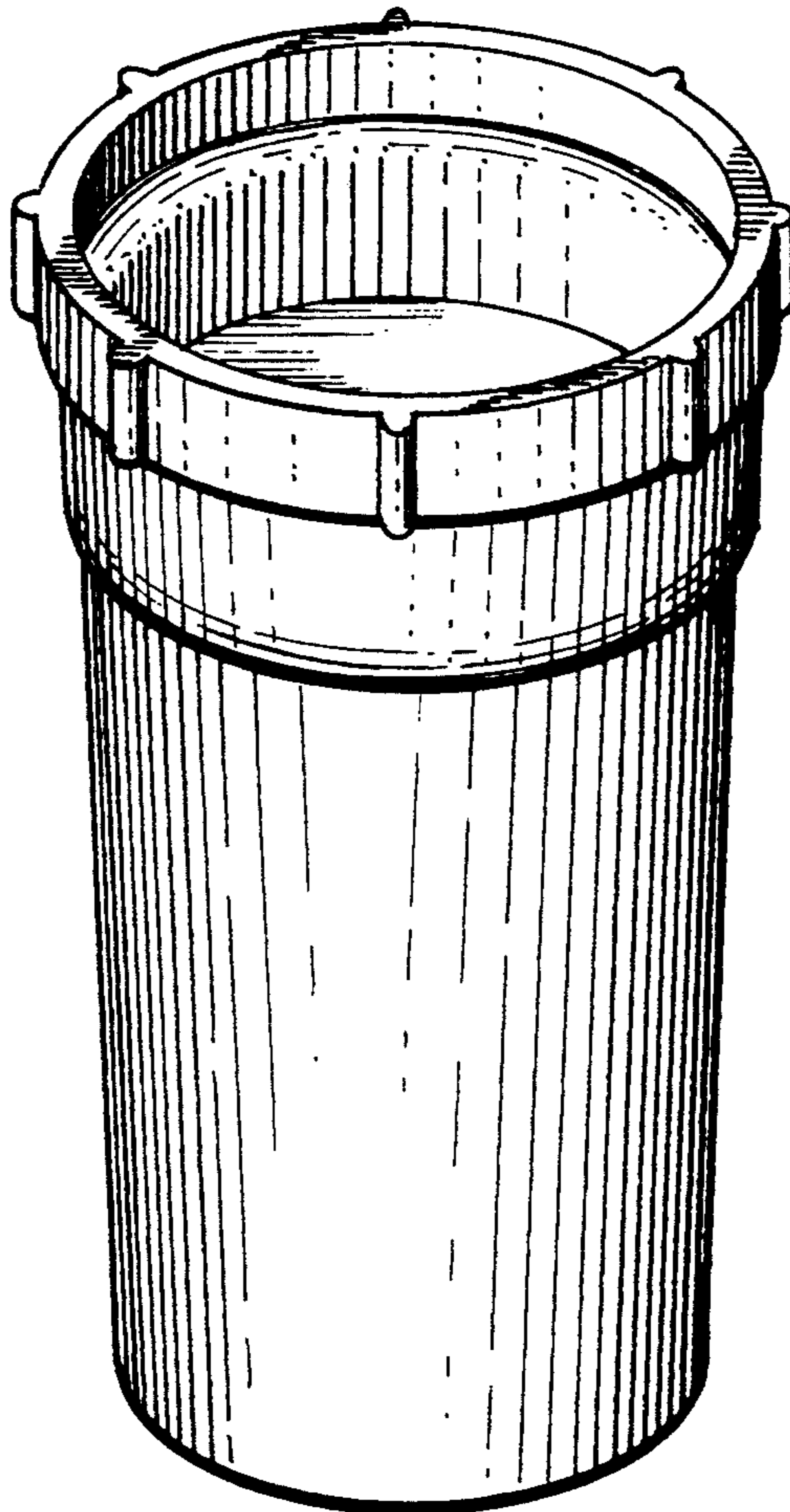


FIG. 1

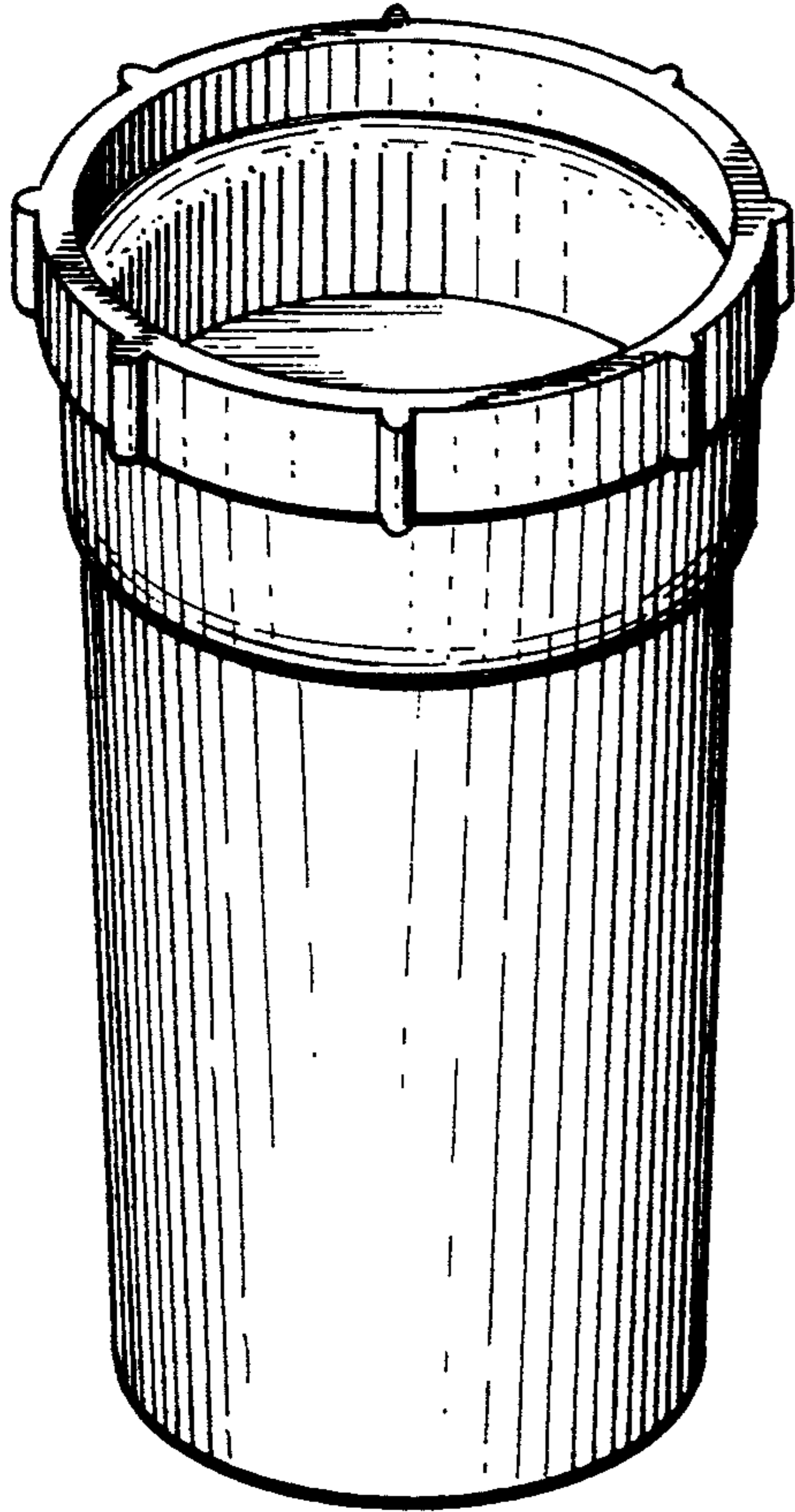


FIG. 2

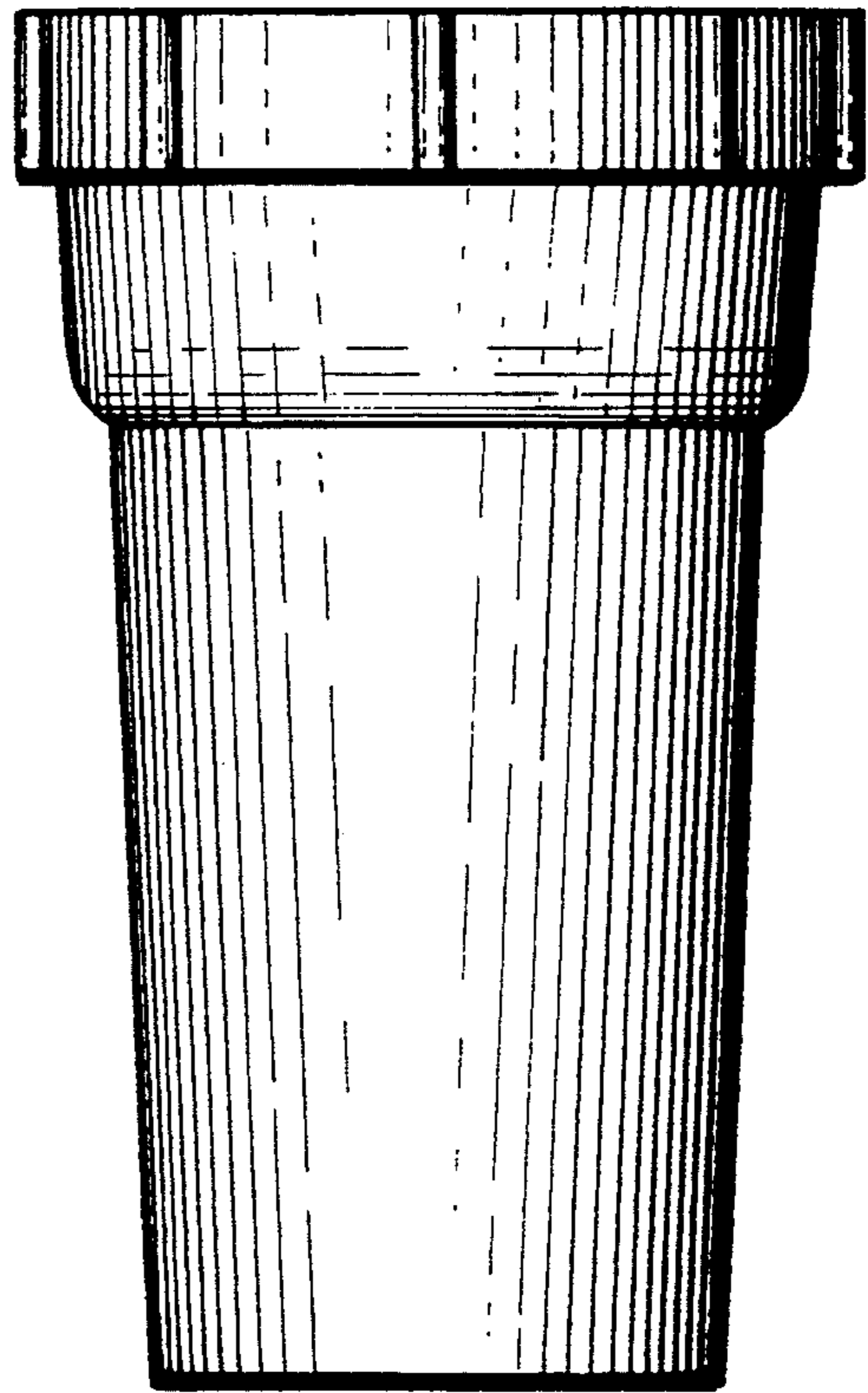


FIG. 3

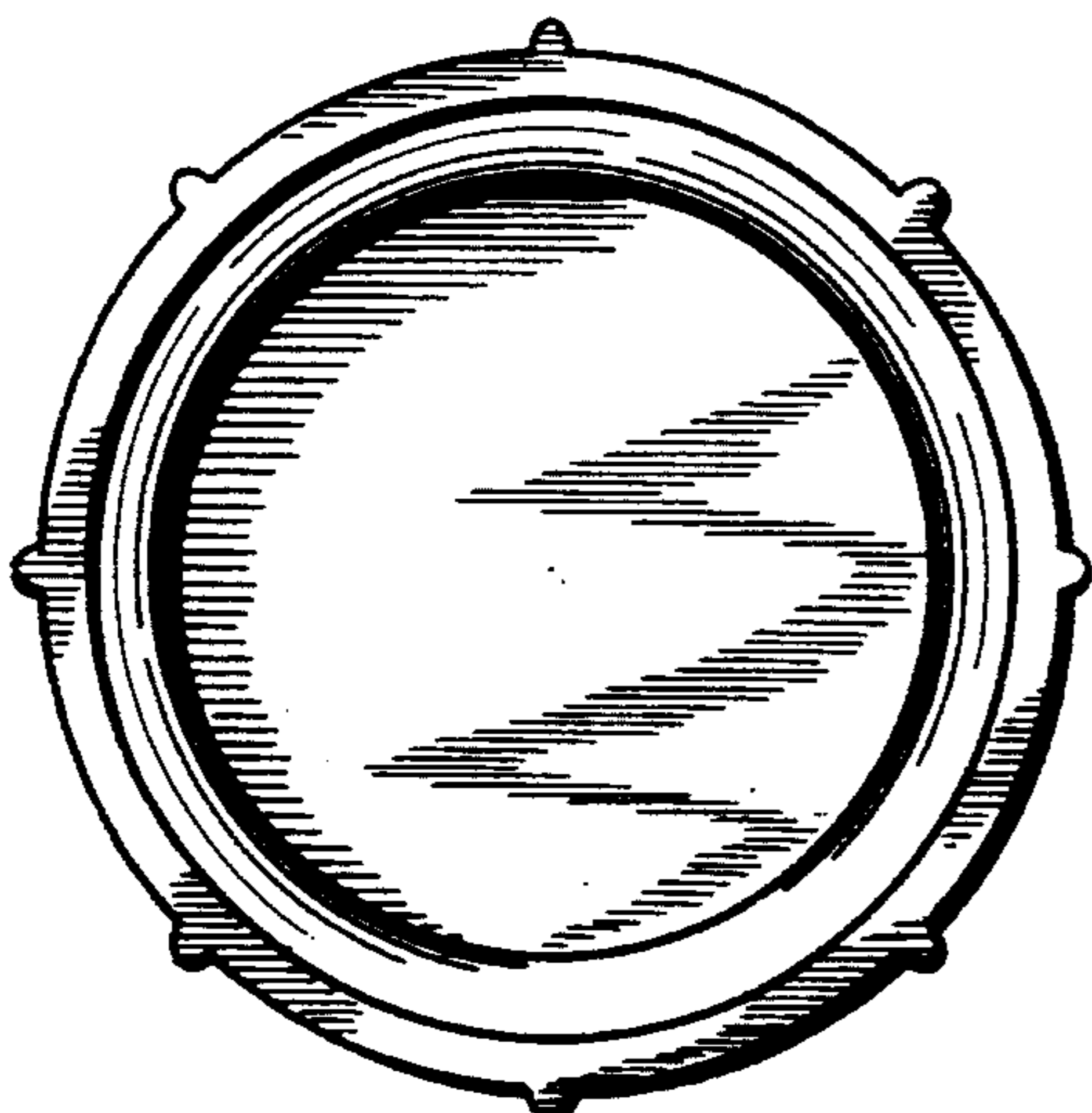


FIG. 4

