



US00D356590S

United States Patent [19] Schelling

[11] Patent Number: **Des. 356,590**

[45] Date of Patent: **** Mar. 21, 1995**

[54] **TELEPHOTO CAMERA**

5,294,953 3/1994 Vande Moere 354/219

[75] Inventor: **Anna C. Schelling**, Geneva, N.Y.

FOREIGN PATENT DOCUMENTS

[73] Assignee: **Eastman Kodak Company**,
Rochester, N.Y.

53-17324 2/1978 Japan 354/126
54-110825 8/1979 Japan 354/187

[**] Term: **14 Years**

Primary Examiner—Bernard Ansher
Assistant Examiner—Adir Aronovich
Attorney, Agent, or Firm—Roger A. Fields

[21] Appl. No.: **19,052**

[57] CLAIM

[22] Filed: **Feb. 22, 1994**

The ornamental design for a telephoto camera, as shown and described.

[52] U.S. Cl. **D16/218; D16/211**

[58] Field of Search **D16/200-206,**
D16/208, 209, 210, 211, 216-218; D21/110;
354/195.1, 195.12, 202, 126, 219, 127.11, 288,
187, 149.11

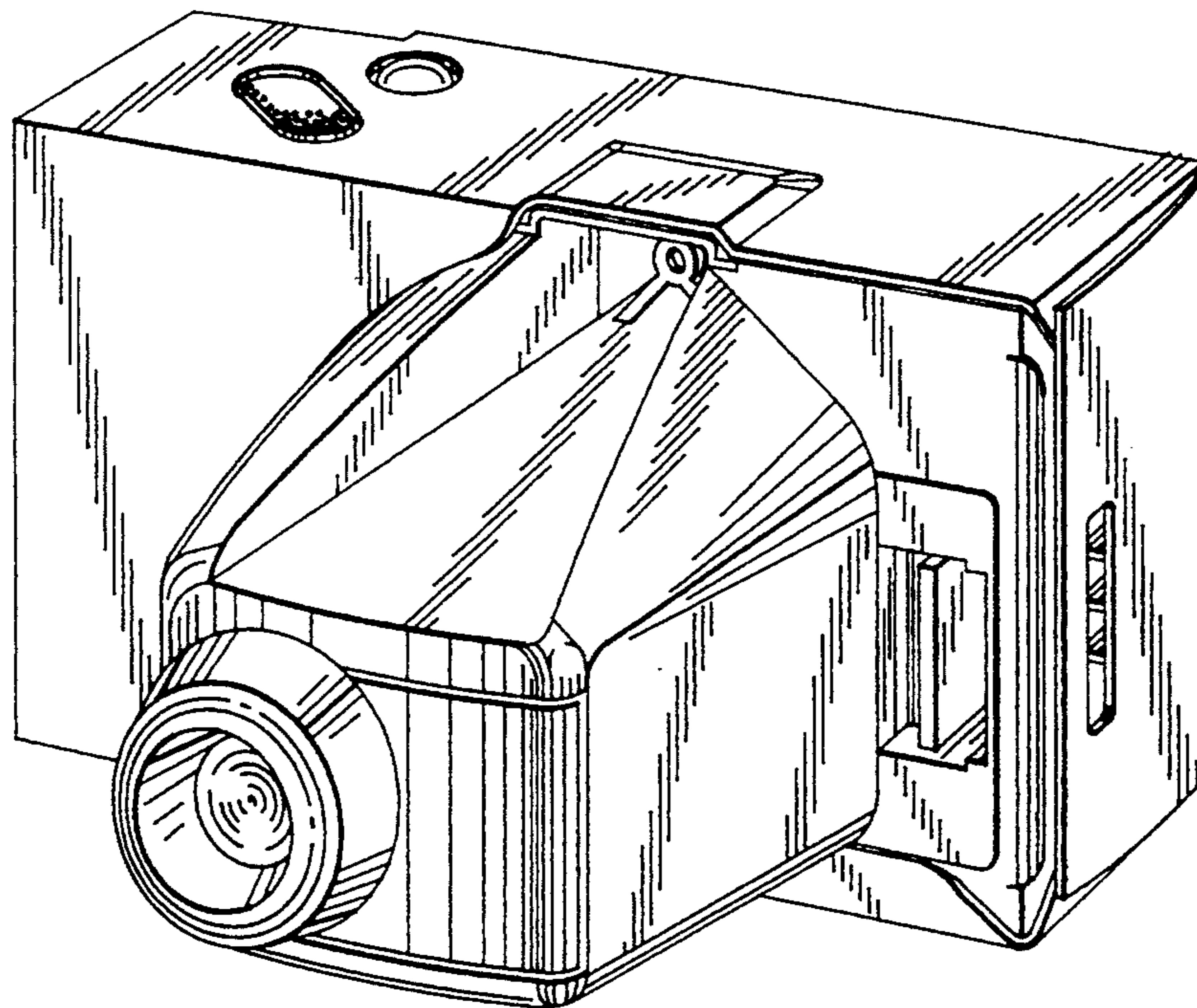
DESCRIPTION

[56] References Cited

U.S. PATENT DOCUMENTS

D. 250,958 1/1979 Hansen D16/209
D. 343,847 2/1994 McBride et al. D16/218
4,093,956 6/1978 Goto 354/288

FIG. 1 is a front perspective view of a telephoto camera showing our new design;
FIG. 2 is a front elevation view thereof;
FIG. 3 is a rear elevation view thereof;
FIG. 4 is a top plan view thereof;
FIG. 5 is a bottom plan view thereof;
FIG. 6 is a right-side elevation view thereof; and,
FIG. 7 is a left-side elevation view thereof.



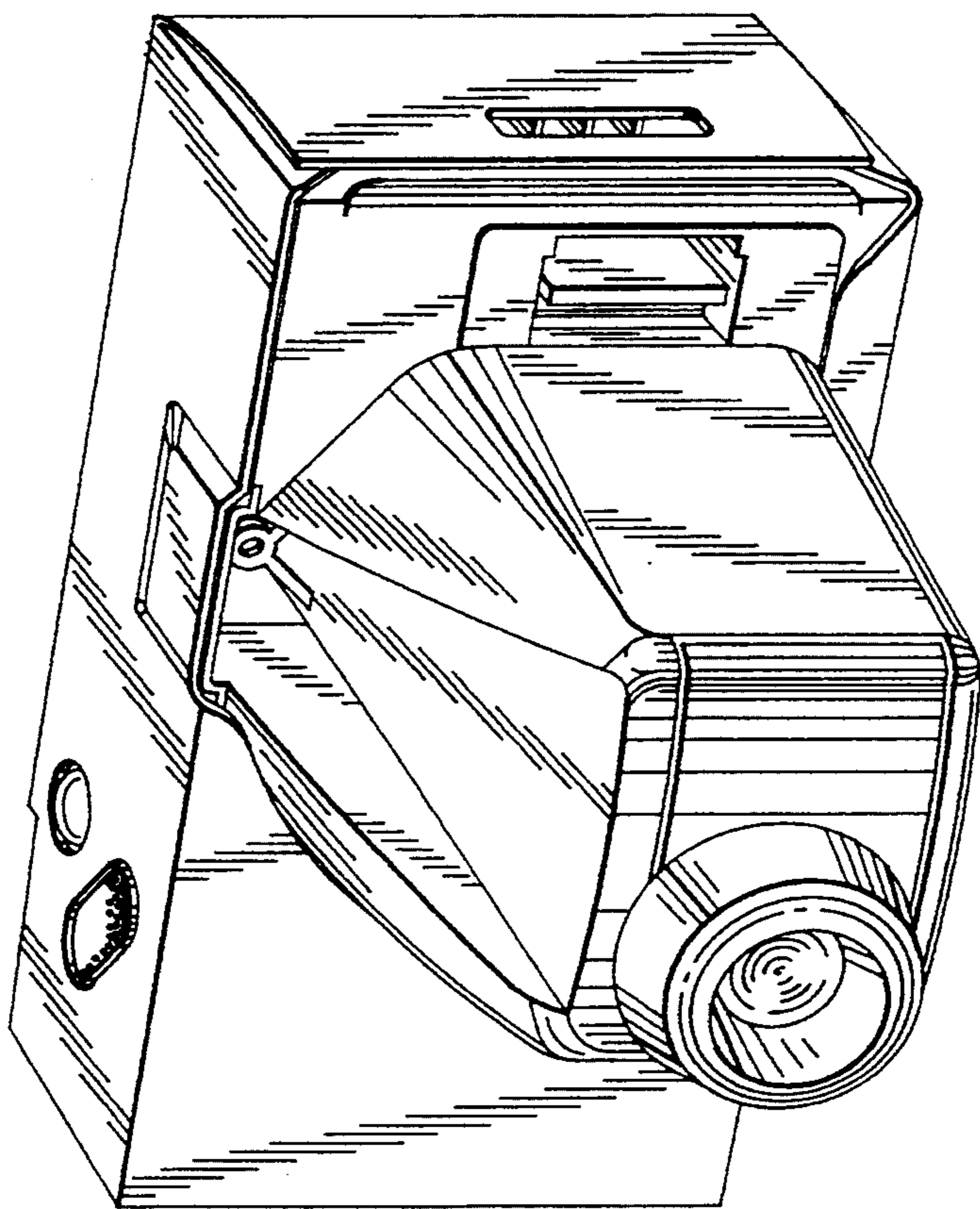


FIG. 1

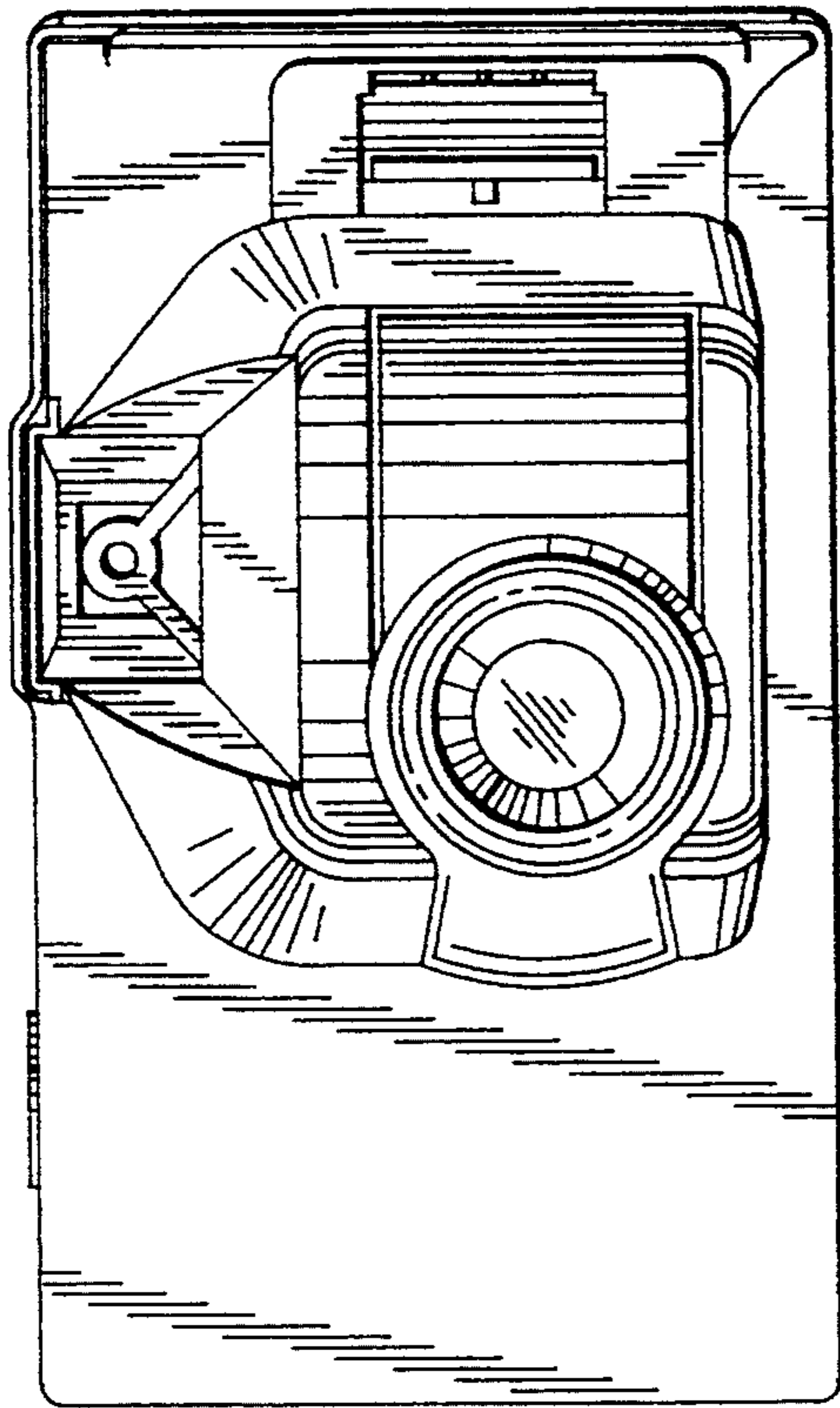


FIG. 2

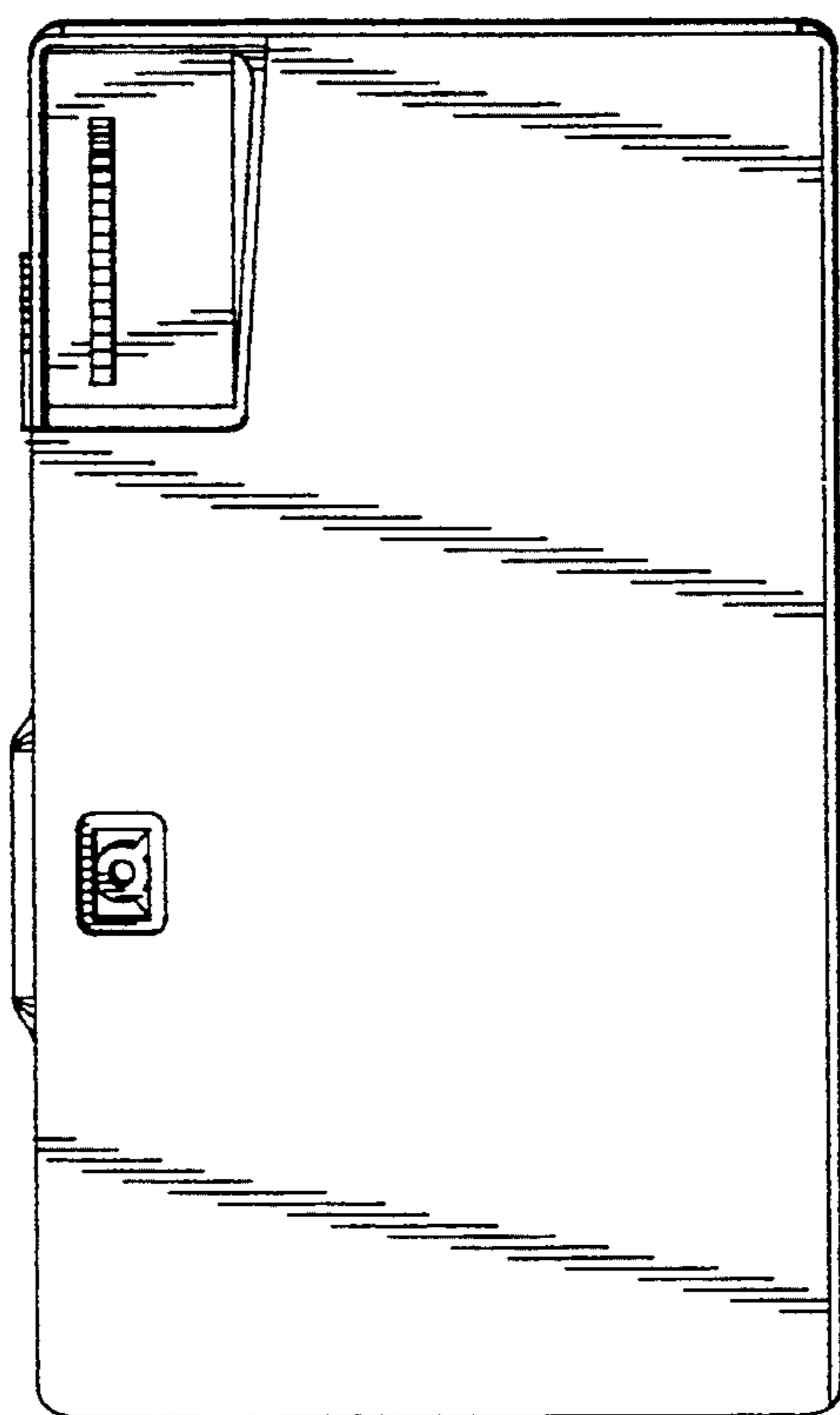


FIG. 3

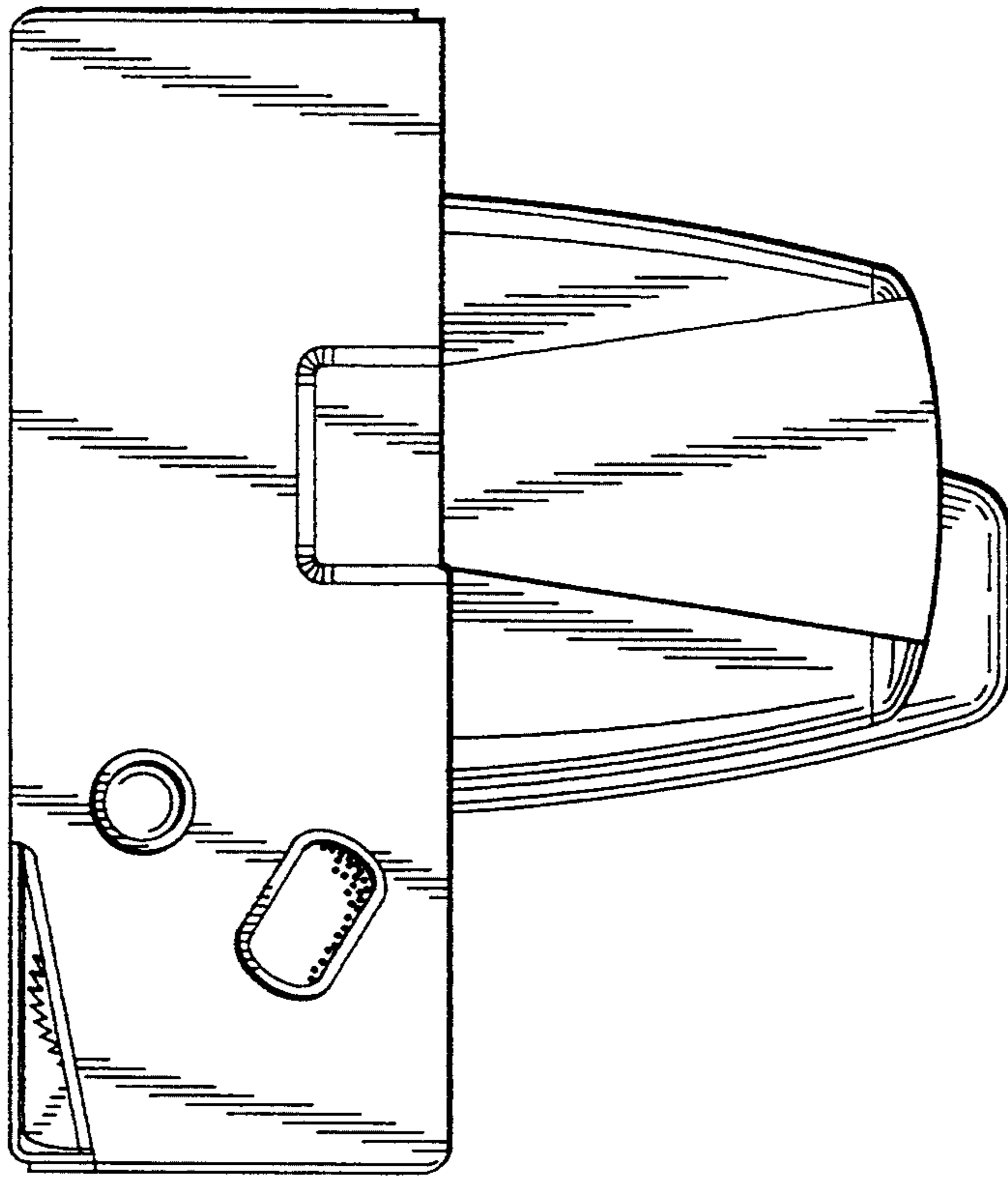


FIG. 4

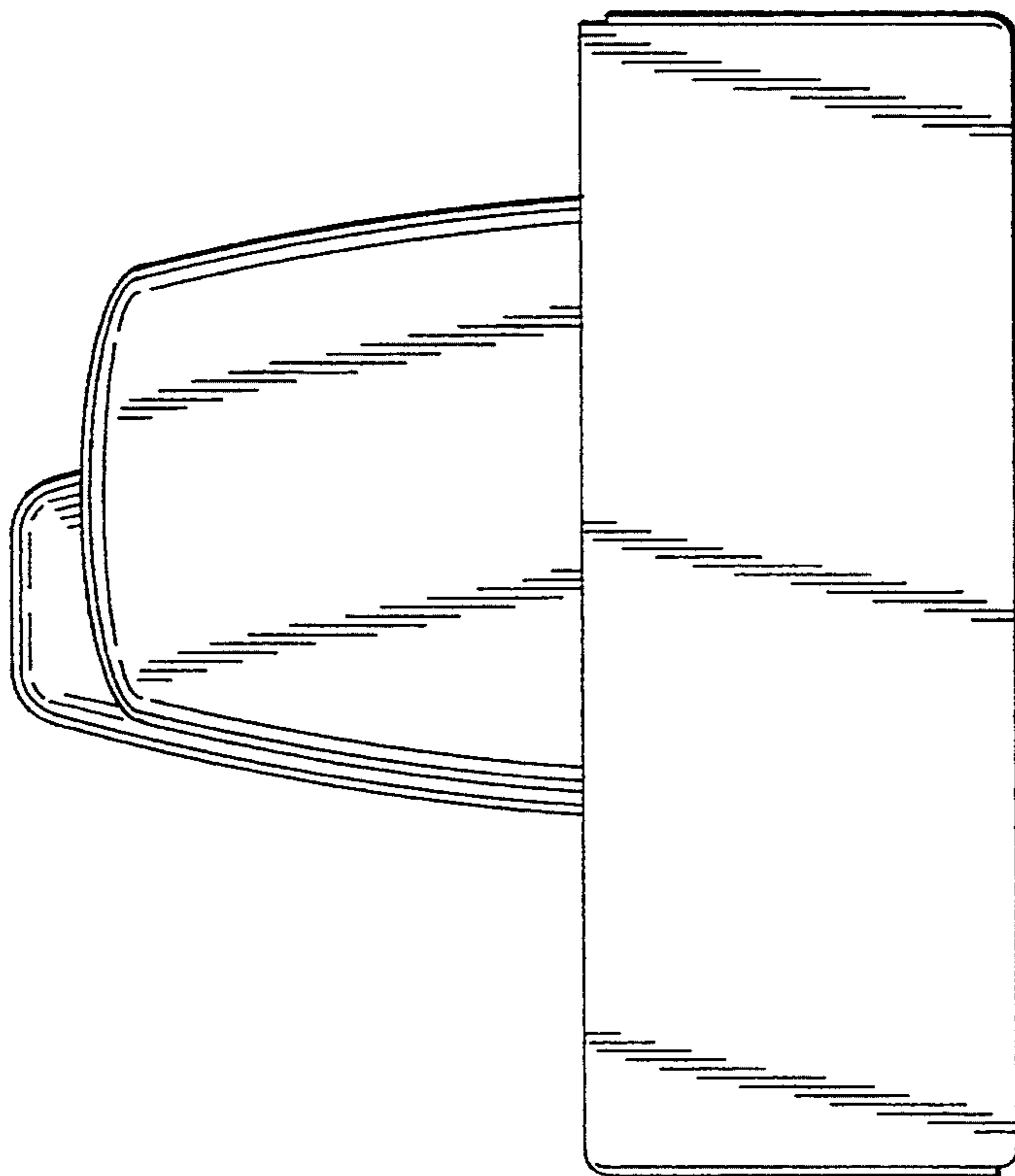


FIG. 5

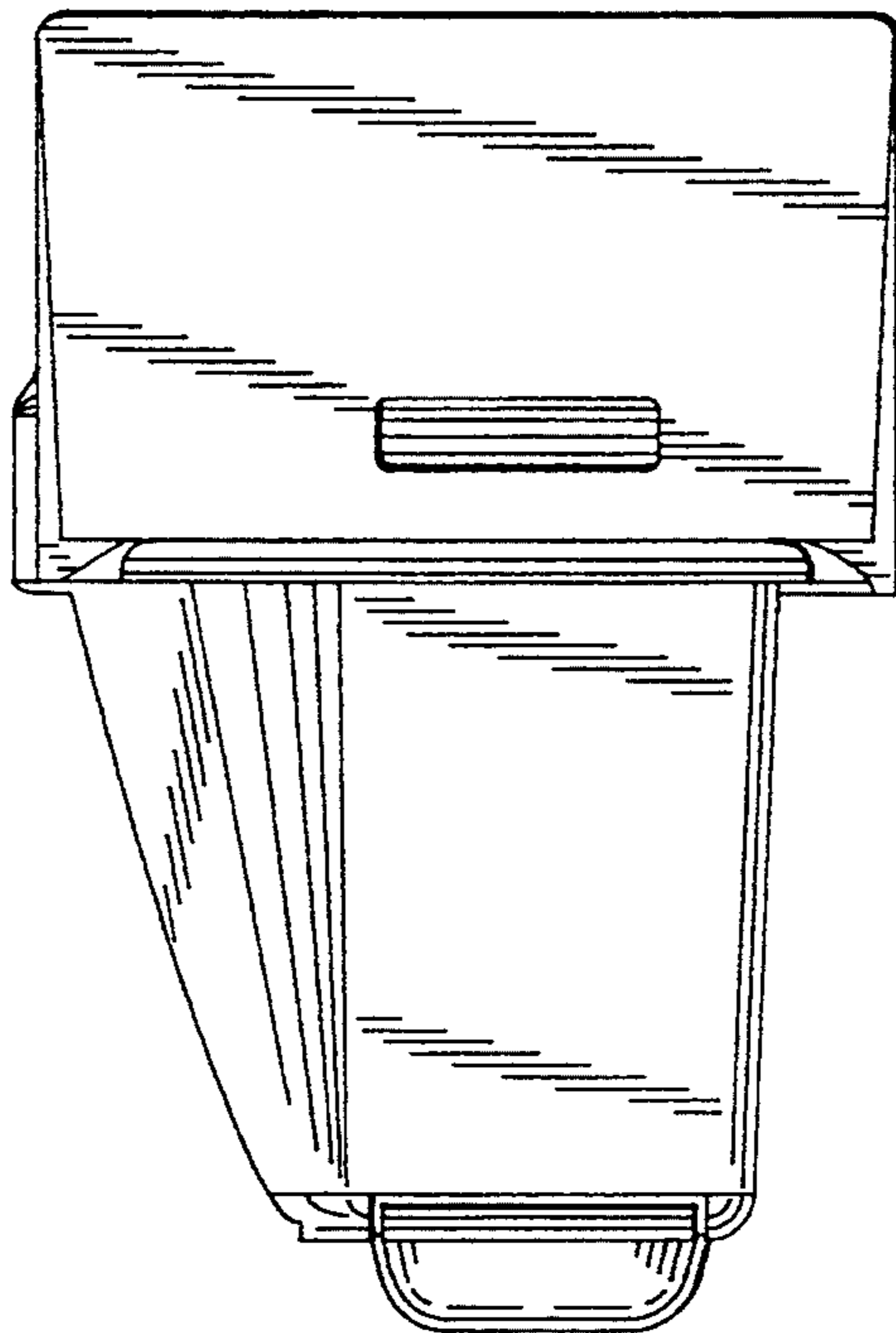


FIG. 6

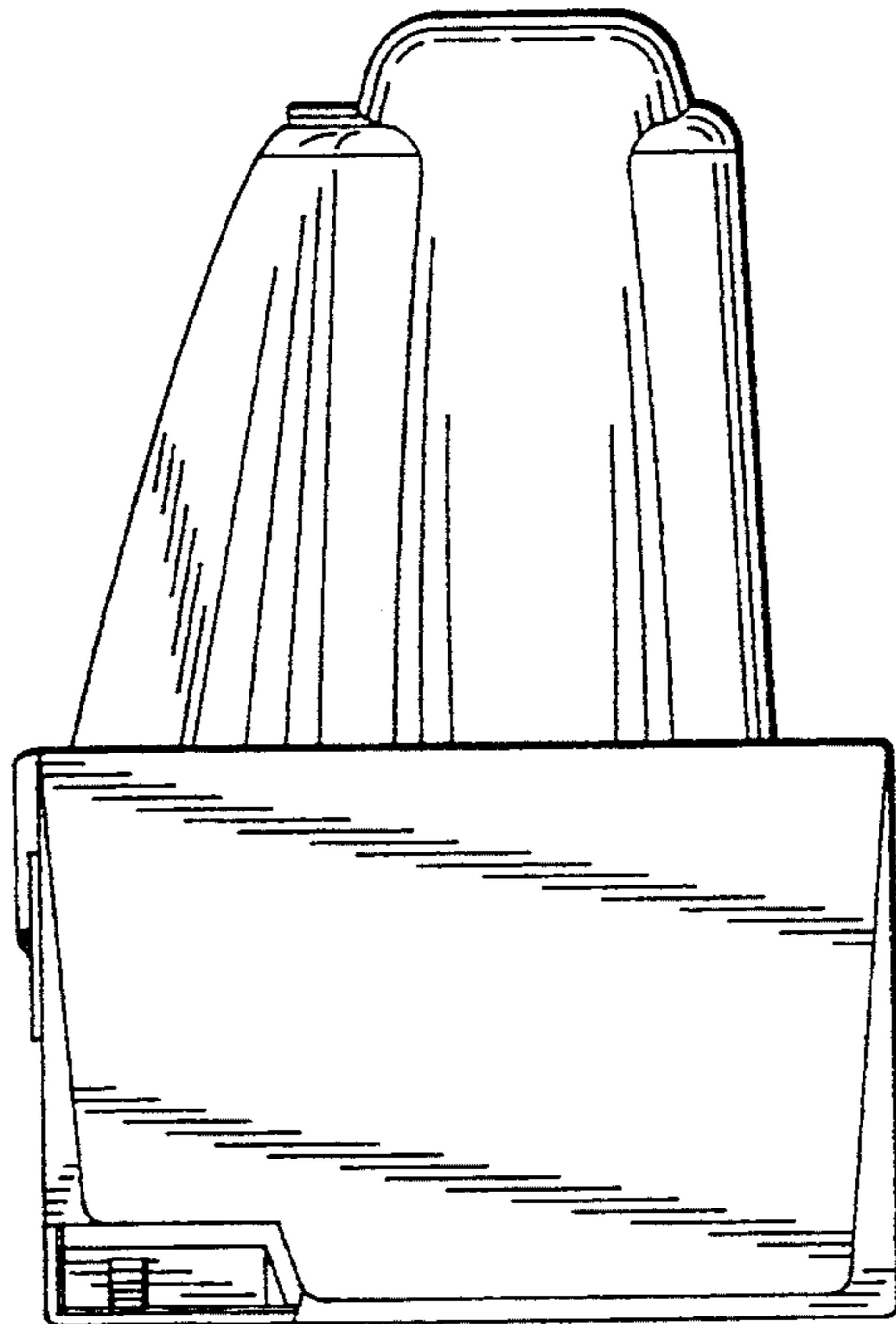


FIG. 7