



US00D356589S

United States Patent [19]

[11] Patent Number: **Des. 356,589**

Sumita

[45] Date of Patent: **** Mar. 21, 1995**

[54] **VIDEO CAMERA COMBINED WITH A VIDEO TAPE RECORDER**

[75] Inventor: **Kaoru Sumita, Tokyo, Japan**

[73] Assignee: **Sony Corporation, Tokyo, Japan**

[**] Term: **14 Years**

[21] Appl. No.: **3,563**

[22] Filed: **Jan. 13, 1993**

[30] **Foreign Application Priority Data**

Jul. 13, 1992 [JP] Japan 4-20948

[52] U.S. Cl. **D16/202**

[58] Field of Search D16/200, 202, 203-205, D16/208; 352/242, 243; 354/82, 288; 358/229, 906

[56] **References Cited**

U.S. PATENT DOCUMENTS

D. 315,915	4/1991	Morimiya	D16/202
D. 323,841	2/1992	Iwama et al.	D16/202
D. 332,958	2/1993	Urushihara et al.	D16/202
D. 334,395	3/1993	Kurokawa	D16/202
5,121,147	6/1992	Wada et al.	354/81

OTHER PUBLICATIONS

Video Review, Aug. 1989 p. 30 (Sony's CCD-TR5 Handycam).

Primary Examiner—Melvin B. Feifer
Attorney, Agent, or Firm—Jay H. Maioli

[57] **CLAIM**

The ornamental design for a video camera combined with a video tape recorder, as shown and described.

DESCRIPTION

FIG. 1 is a top, front and right-side perspective view of a video camera combined with a video tape recorder, showing my new design;

FIG. 2 is a top, front and right-side perspective view thereof, shown with viewfinder raised;

FIG. 3 is a top, front and left-side perspective view thereof, shown with cassette lid in the opened position;

FIG. 4 is a front elevational view thereof;

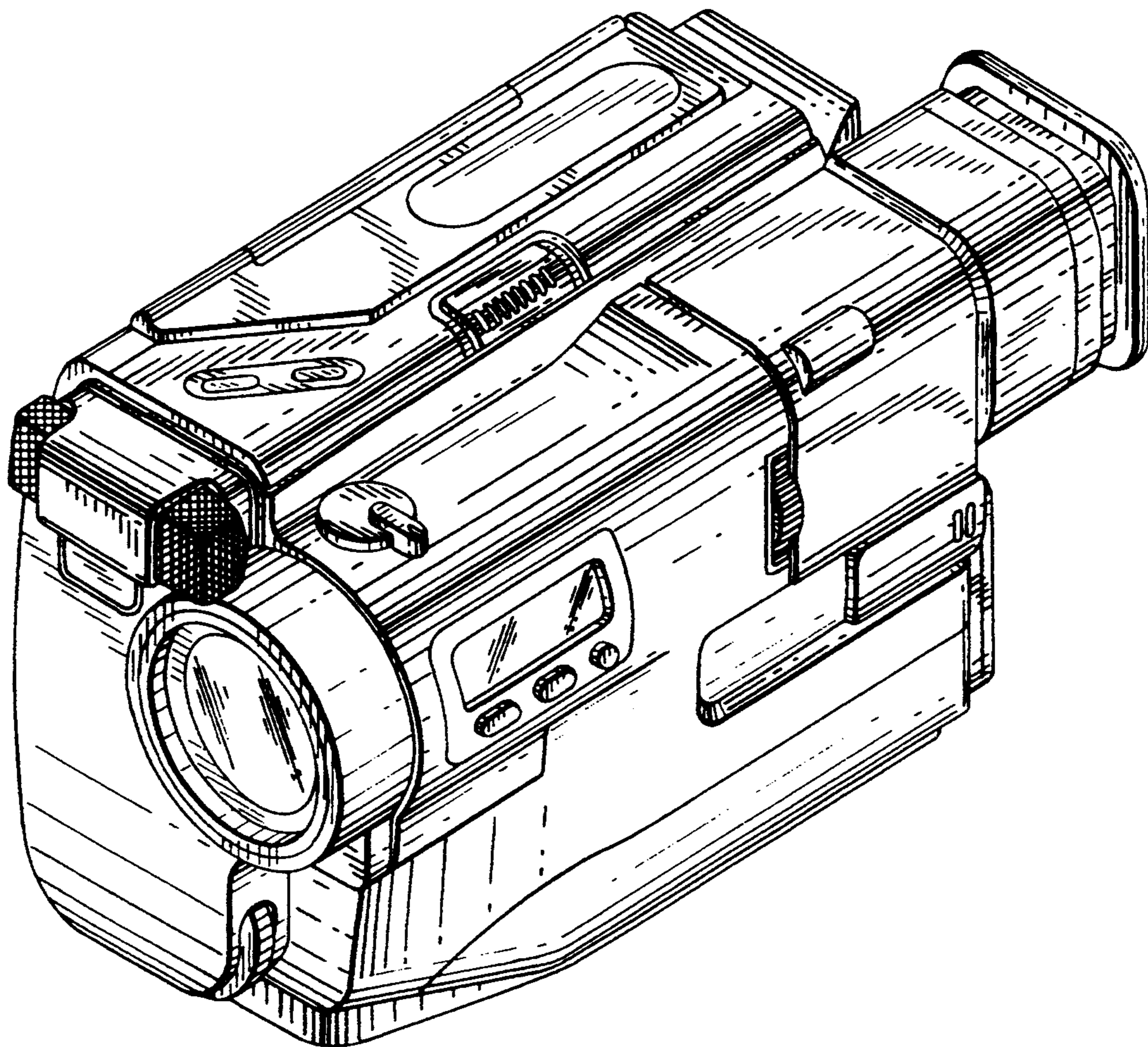
FIG. 5 is a rear elevational view thereof;

FIG. 6 is a left-side elevational view thereof;

FIG. 7 is a right-side elevational view thereof;

FIG. 8 is a top plan view thereof; and,

FIG. 9 is a bottom plan view thereof.



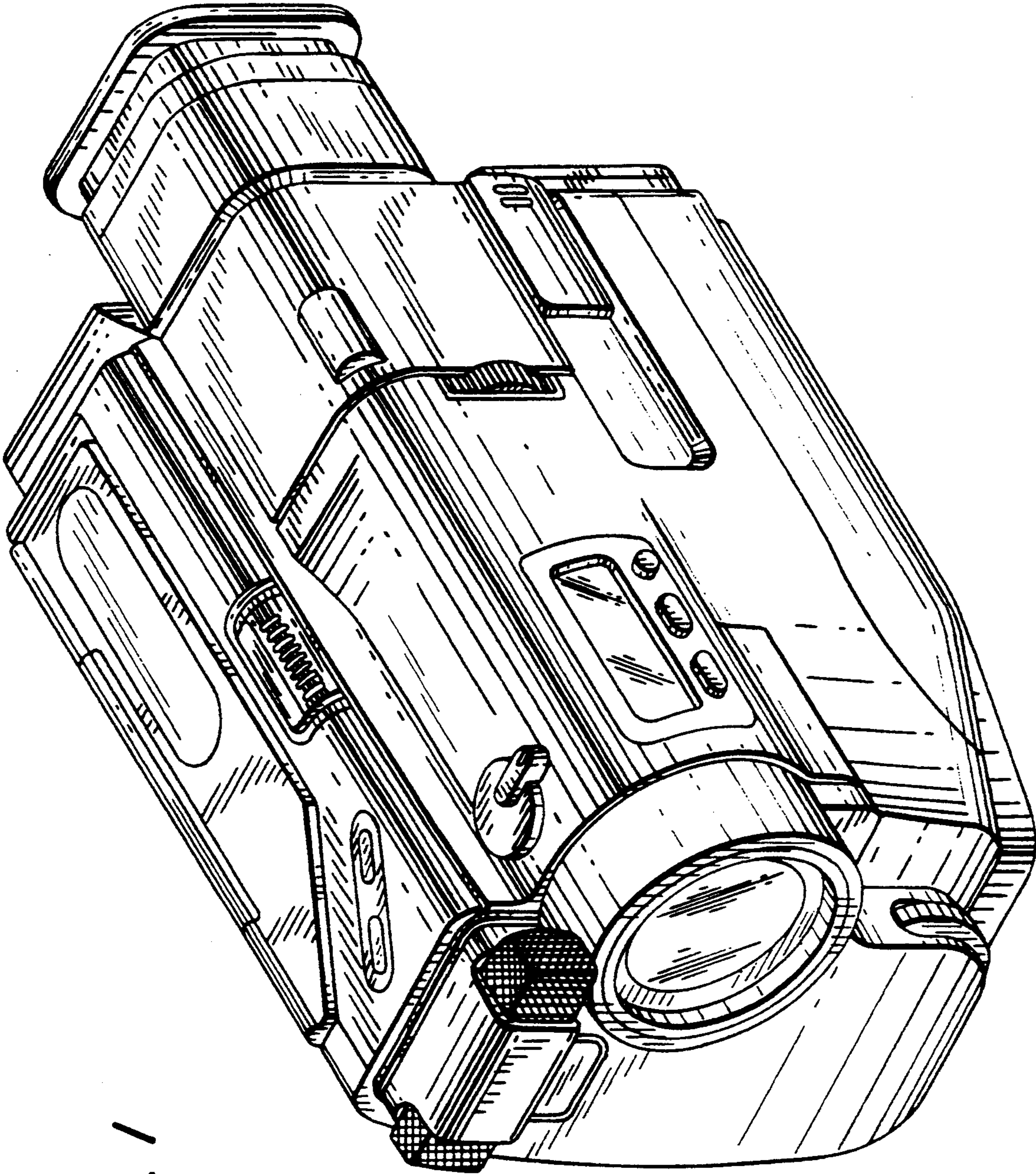


FIG. 1

FIG. 2

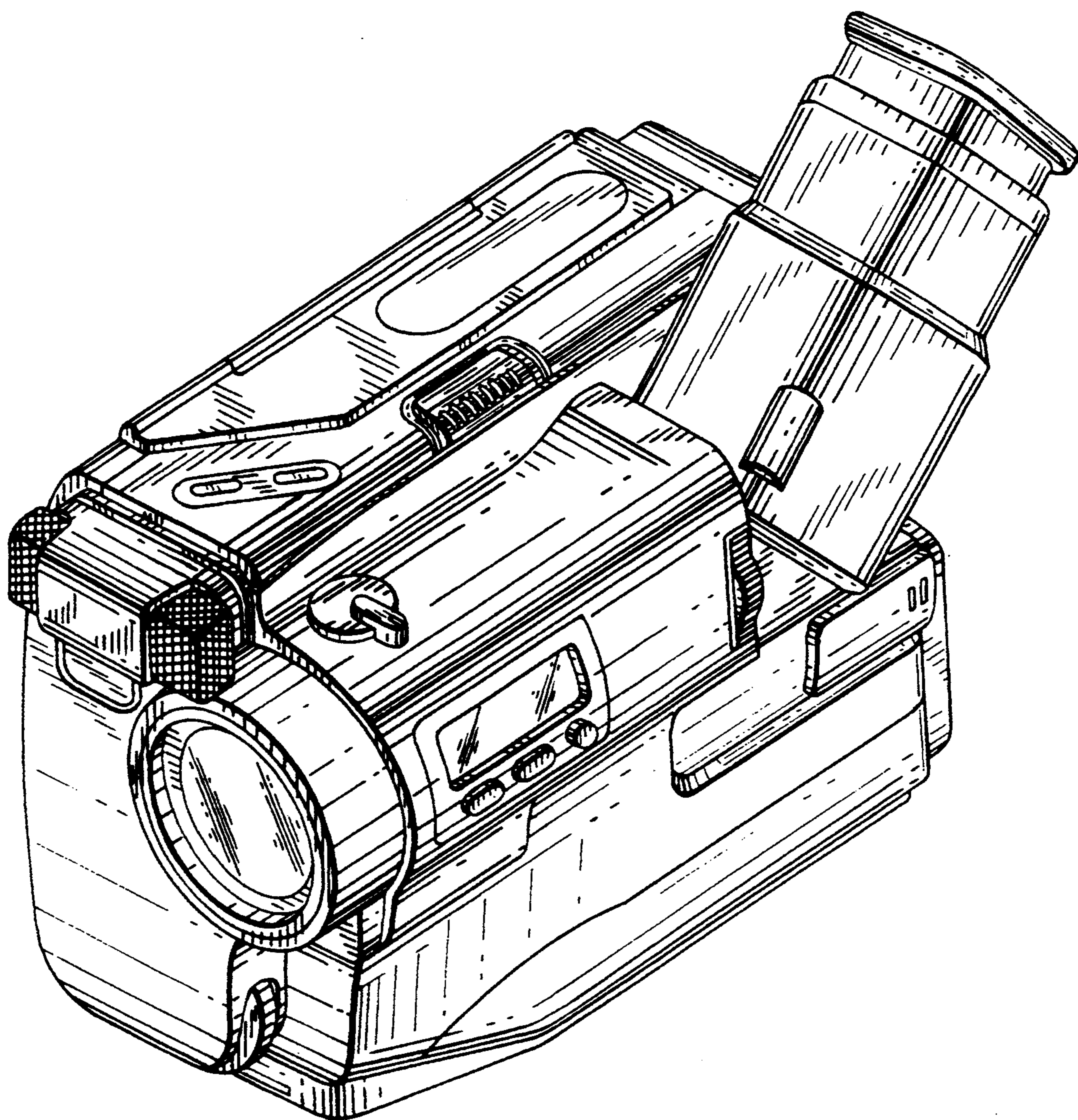


FIG. 3

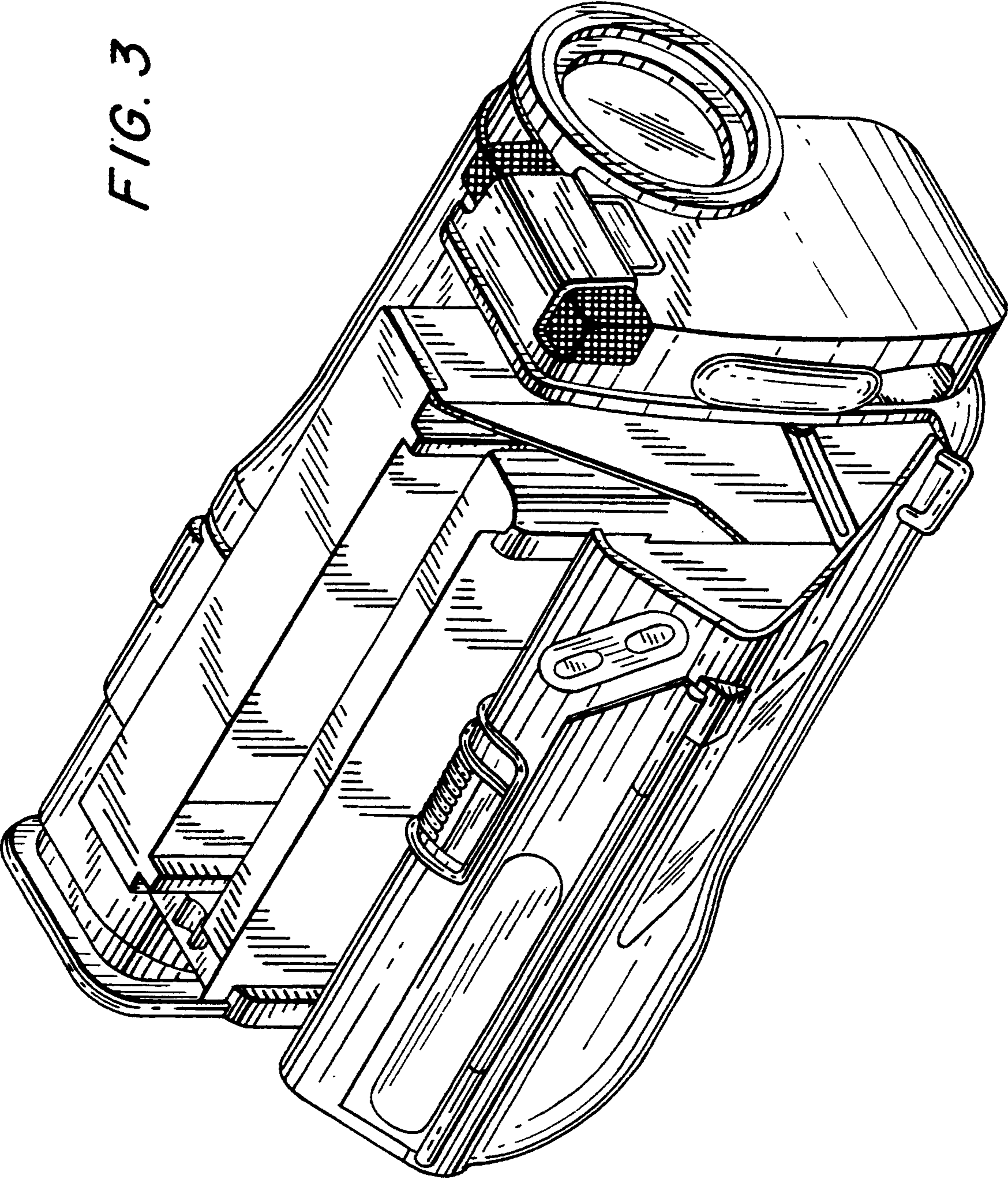


FIG. 4

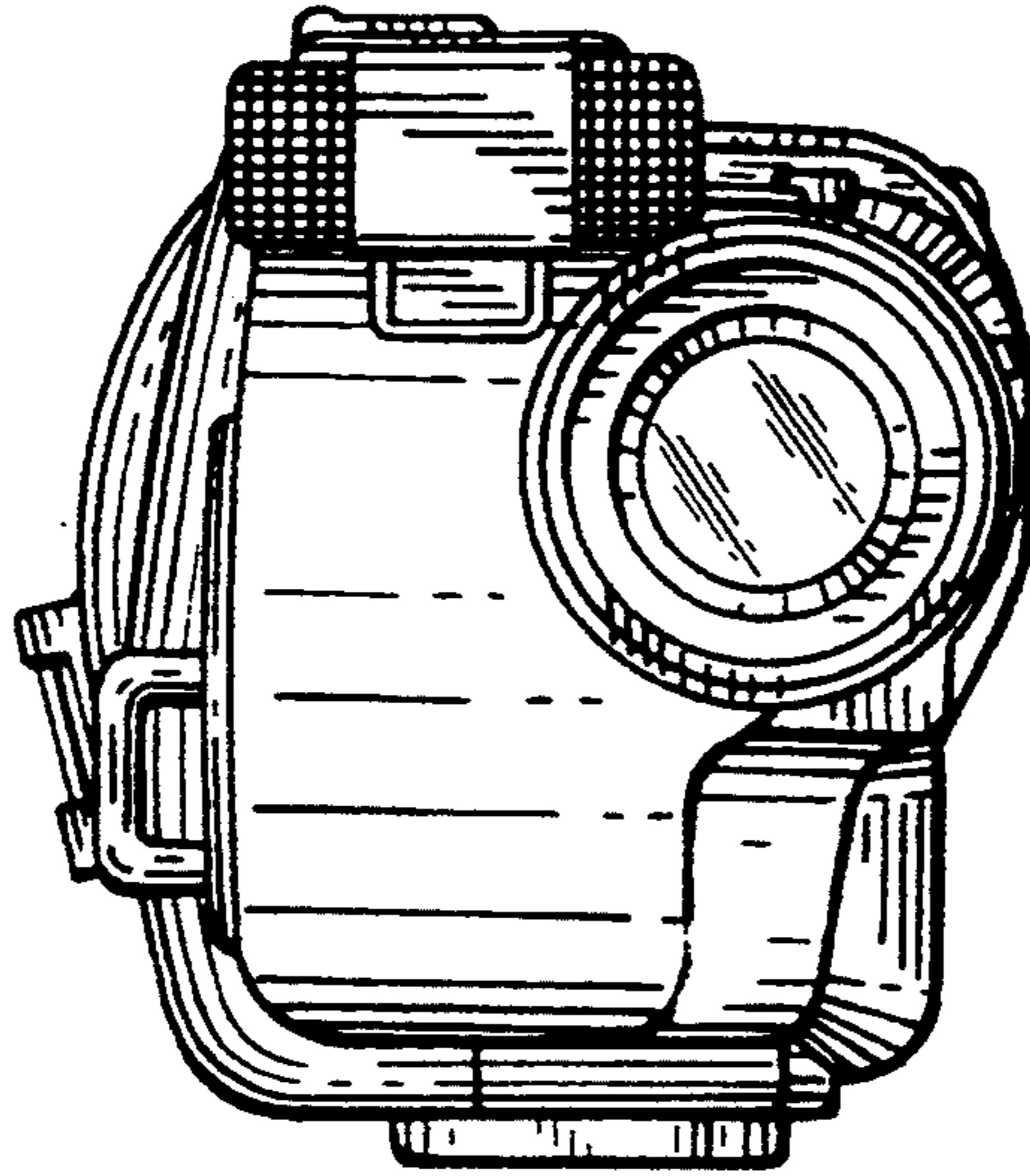


FIG. 6

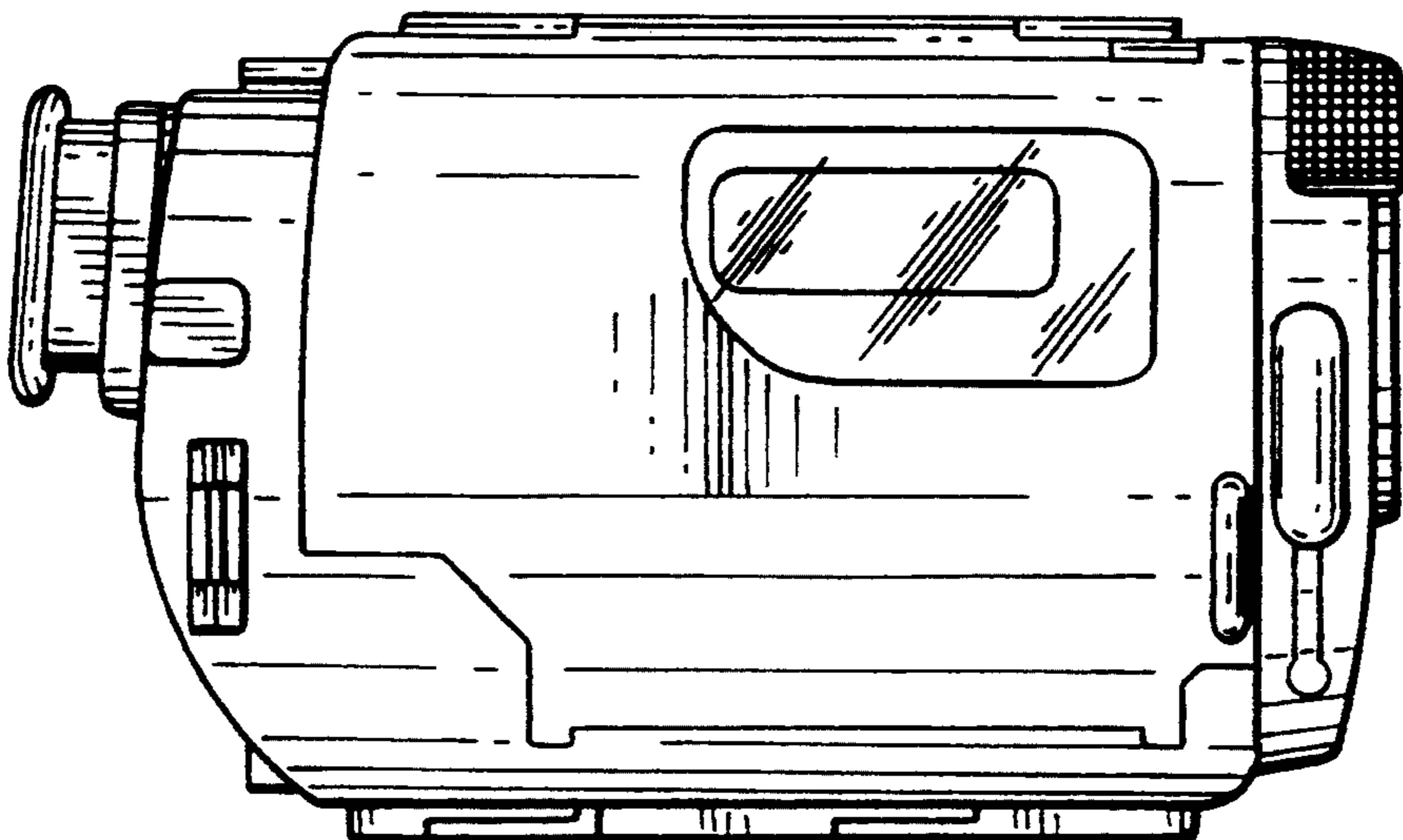


FIG. 5

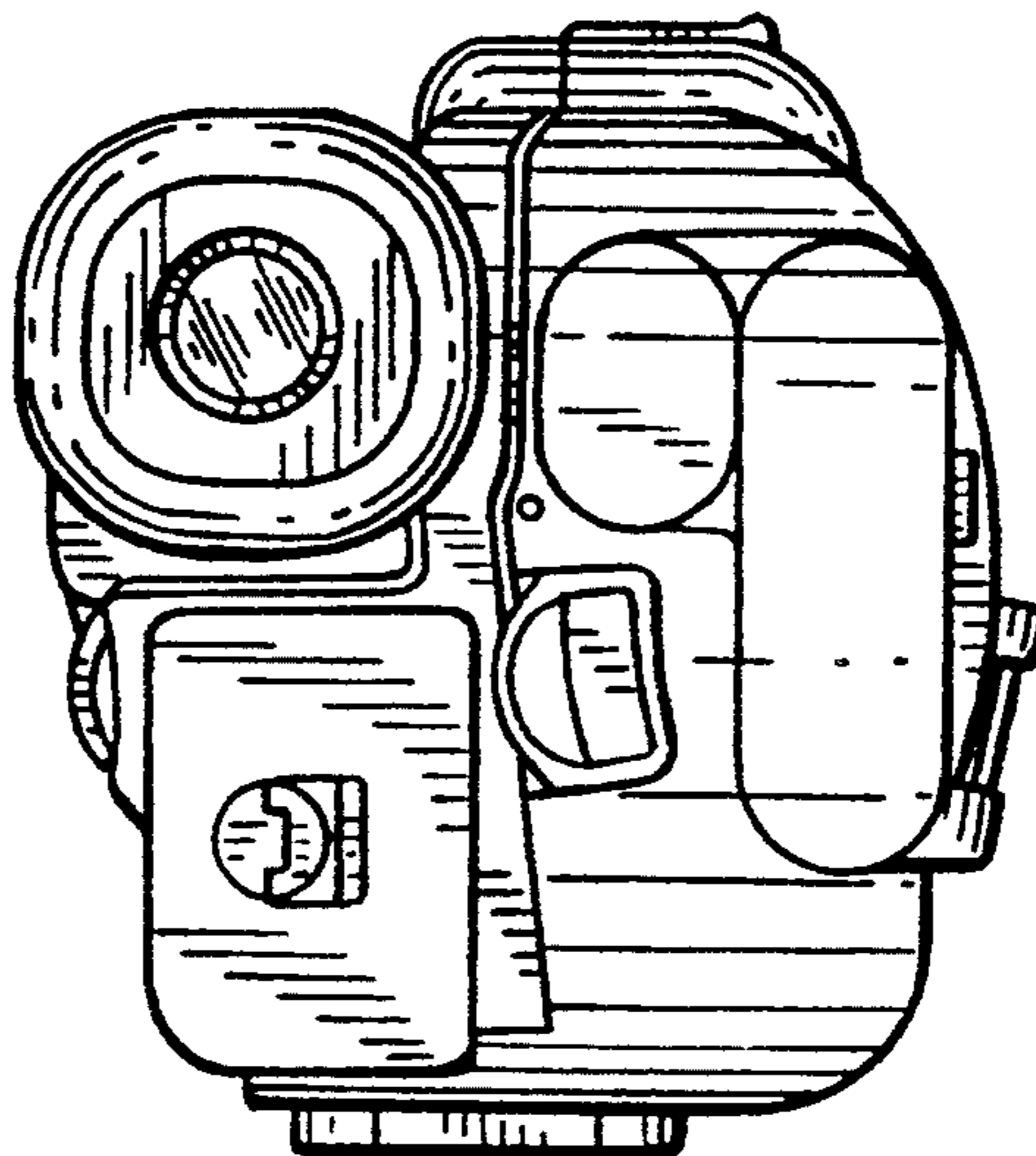


FIG. 8

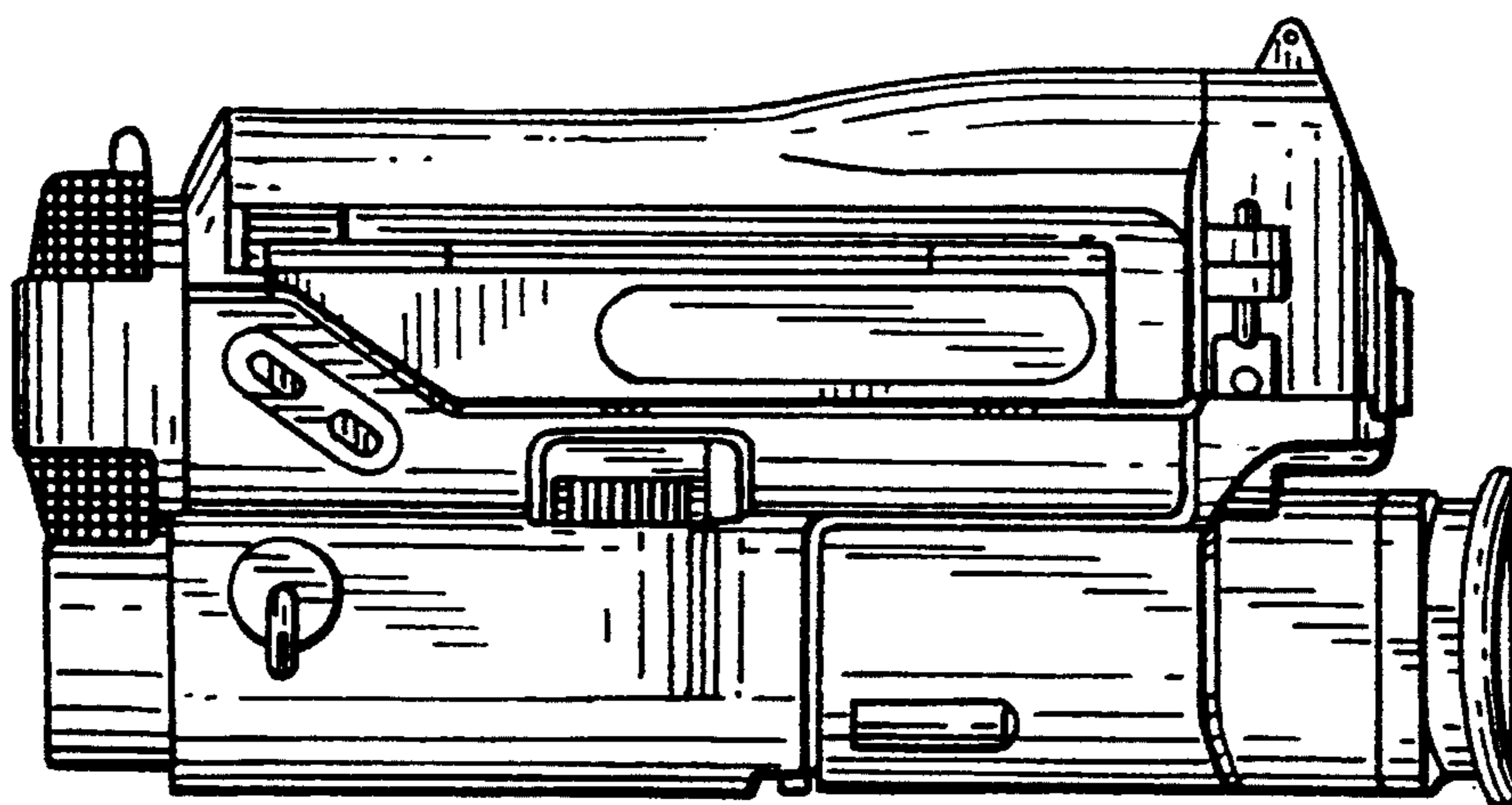


FIG. 7

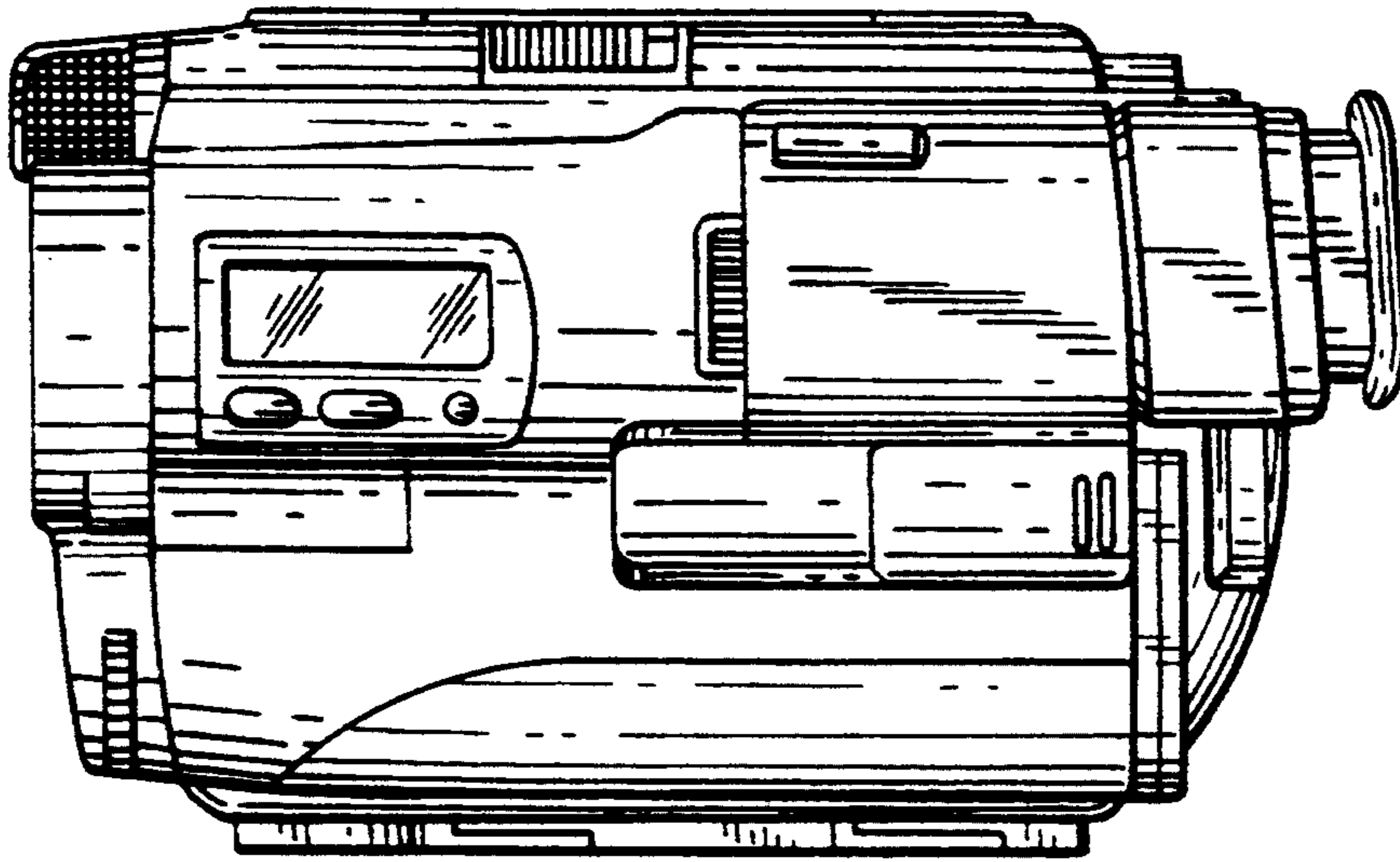


FIG. 9

