



US00D356588S

United States Patent [19]

[11] Patent Number: **Des. 356,588**

Kataoka

[45] Date of Patent: **** Mar. 21, 1995**

[54] **VIDEO CAMERA COMBINED WITH A VIDEO TAPE RECORDER**

[75] Inventor: **Tetsu Kataoka, Tokyo, Japan**
[73] Assignee: **Sony Corporation, Tokyo, Japan**
[**] Term: **14 Years**
[21] Appl. No.: **3,493**
[22] Filed: **Jan. 8, 1993**

[30] **Foreign Application Priority Data**

Jul. 8, 1992 [JP] Japan 4-20428
[52] U.S. Cl. **D16/202**
[58] Field of Search **D16/200, 202, 203-205, D16/208; 352/242, 243; 354/82, 288; 358/229, 906**

[56] **References Cited**

U.S. PATENT DOCUMENTS

D. 305,032 12/1989 Nishiyama et al. D16/202
D. 316,719 5/1991 Ooi et al. D16/202
D. 322,448 12/1991 Kondo D16/202
D. 323,519 1/1992 Fukuda D16/202
4,928,179 5/1990 Takahashi et al. 358/229

OTHER PUBLICATIONS

Video Review, Dec. 1987 p. 90 (Ricoh's R-600S Camcorder).
Popular photography, Nov. 1988 p. 126 (Sony's CCDF 40).

Primary Examiner—Melvin B. Feifer
Assistant Examiner—Adir Aronovich
Attorney, Agent, or Firm—Jay H. Maioli

[57] **CLAIM**

The ornamental design for a video camera combined with a video tape recorder, as shown and described.

DESCRIPTION

FIG. 1 is a top, front and right-side perspective view of a video camera combined with a video tape recorder, showing my new design;
FIG. 2 is a top, front and right-side perspective thereof, shown with view finder in the raised position;
FIG. 3 is a front elevational view thereof;
FIG. 4 is a rear elevational view thereof;
FIG. 5 is a left-side elevational view thereof;
FIG. 6 is a right-side elevational view thereof;
FIG. 7 is a top plan view thereof; and,
FIG. 8 is a bottom plan view thereof.

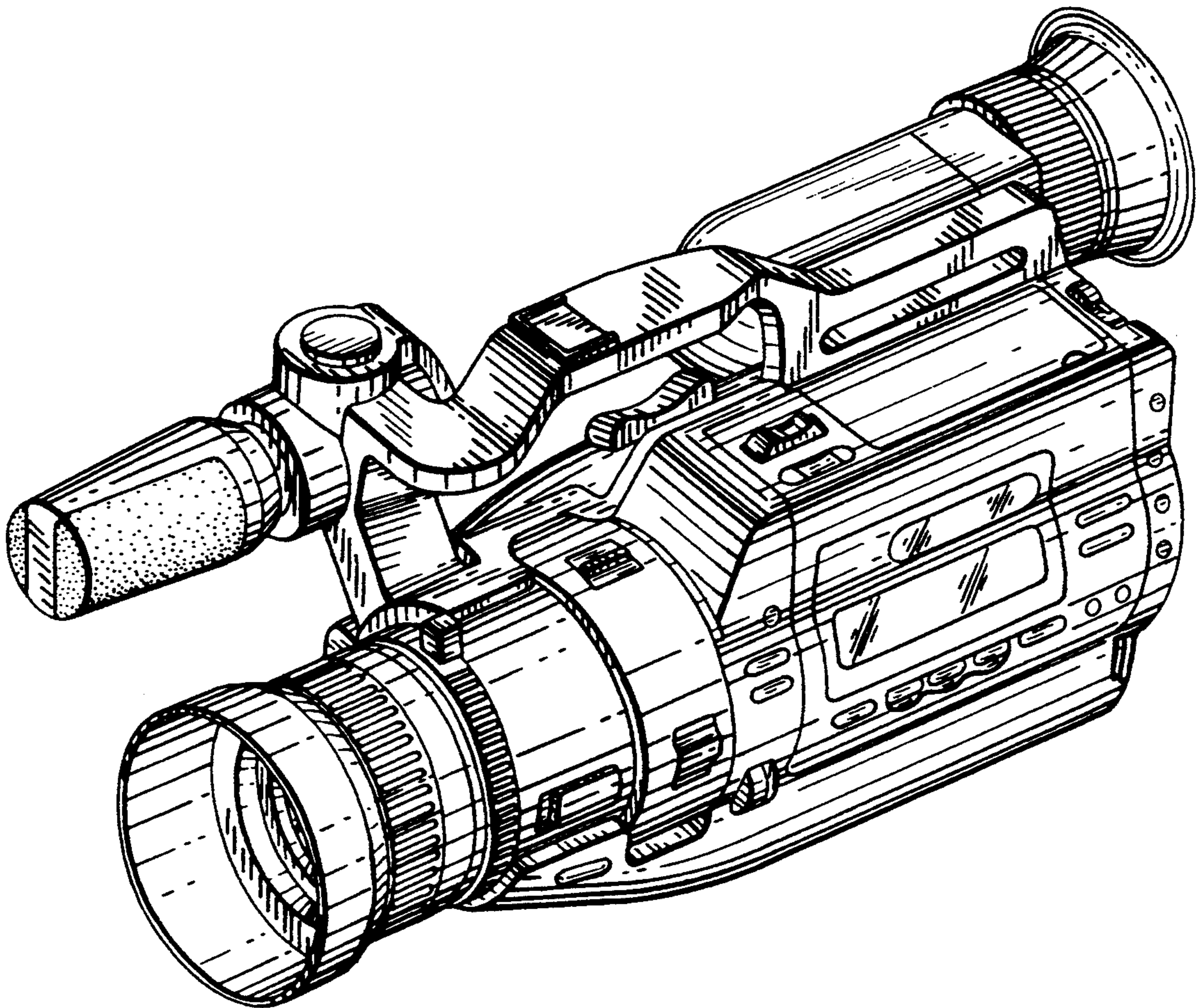
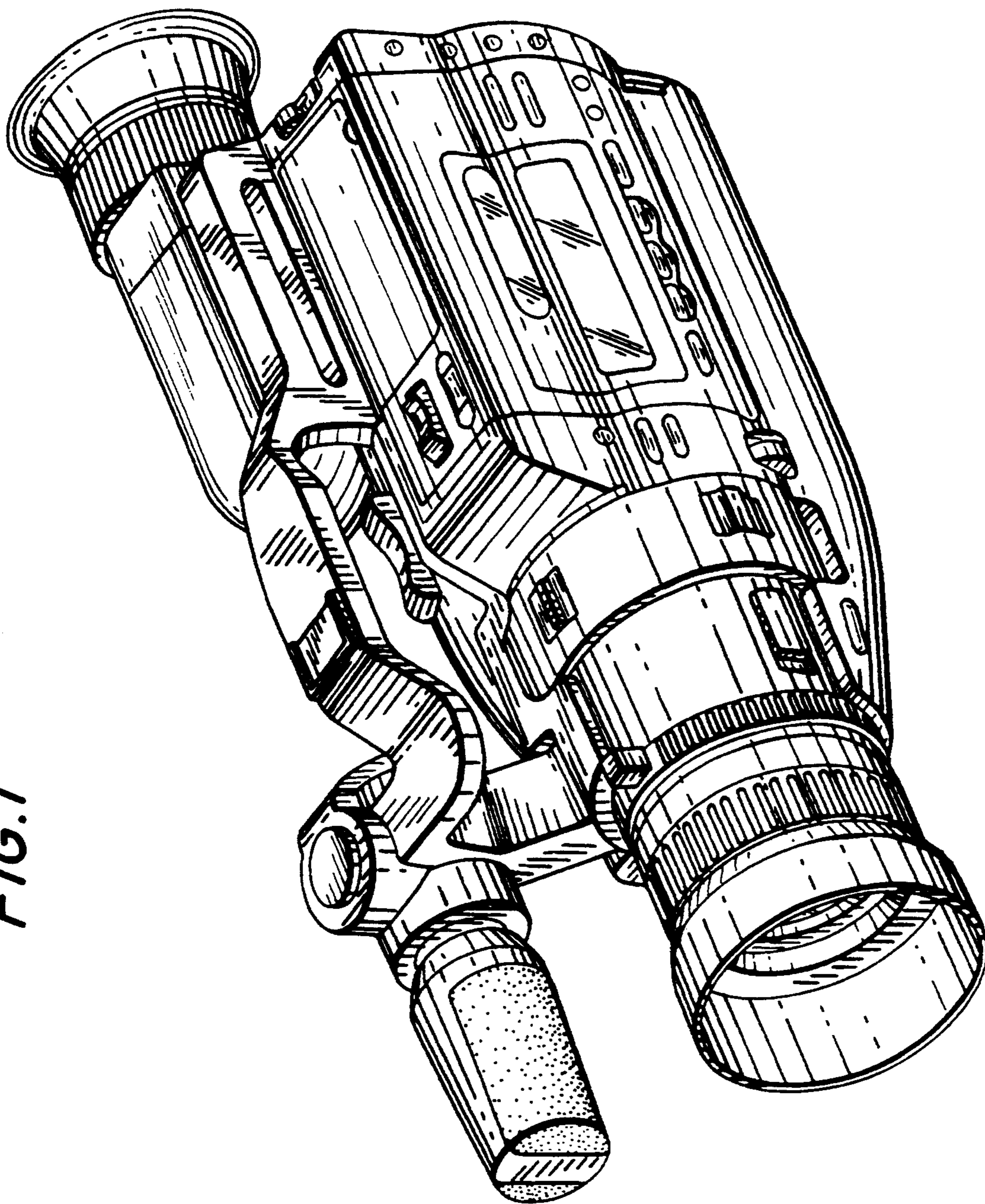


FIG. 1



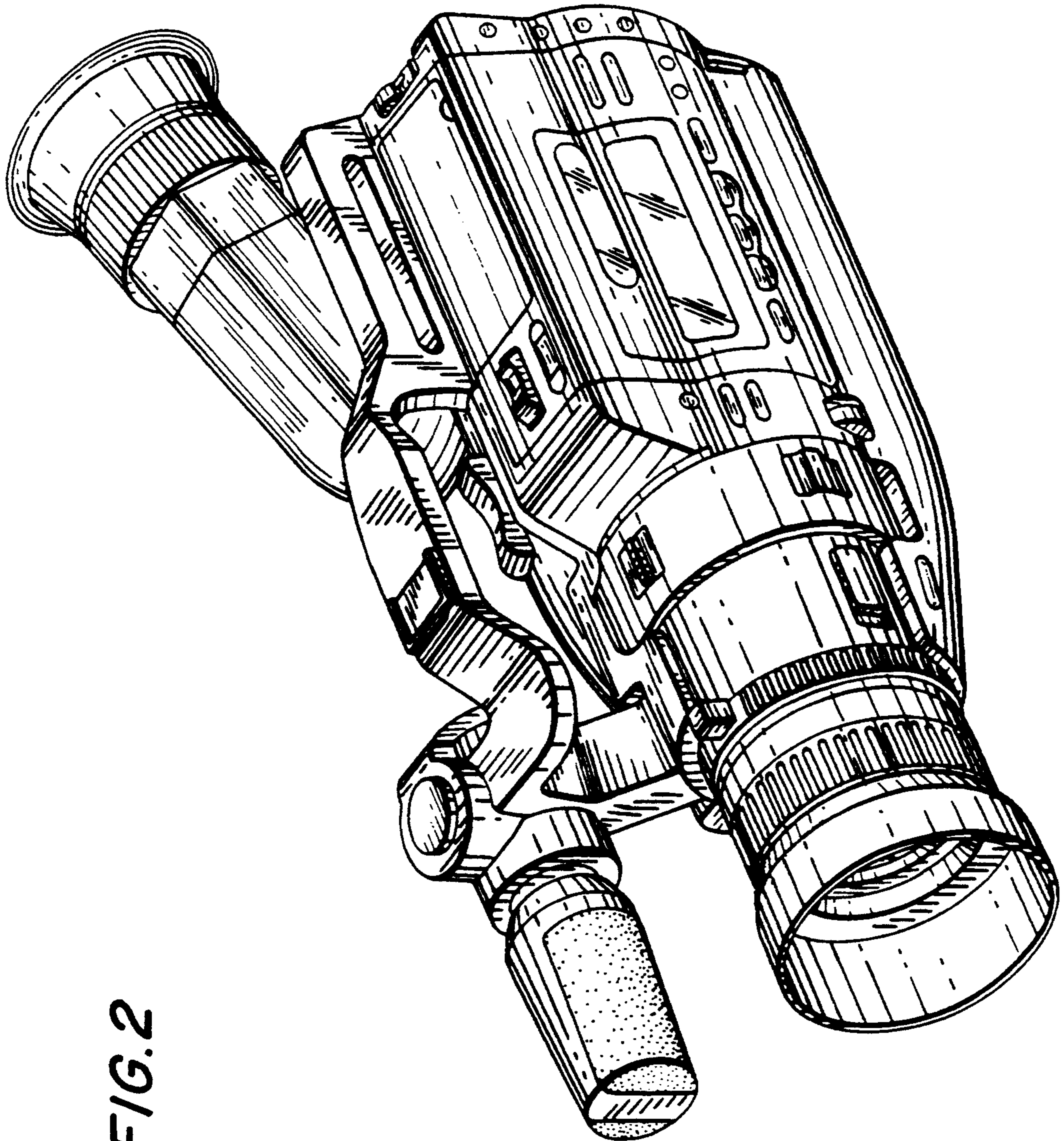


FIG. 2

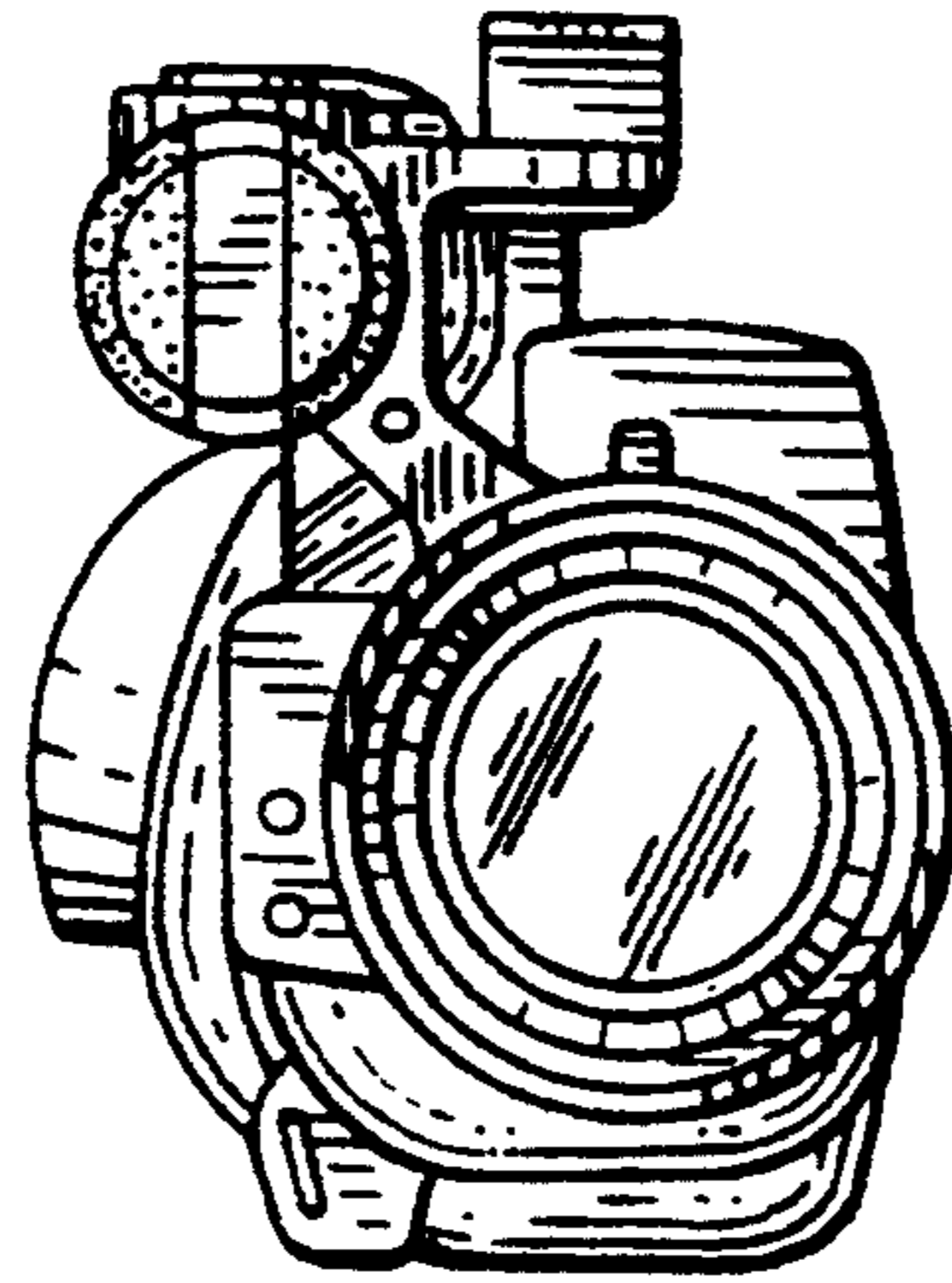


FIG. 3

FIG. 5

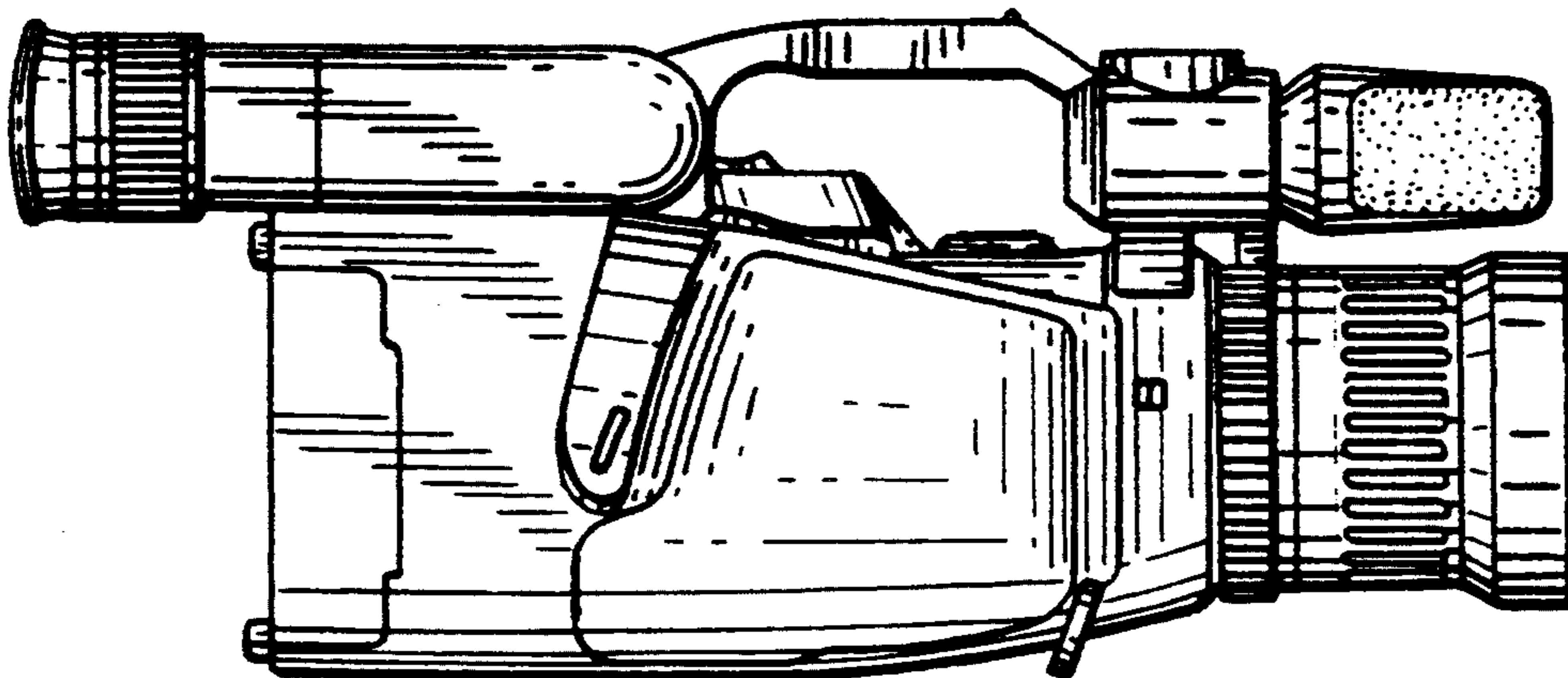


FIG. 4

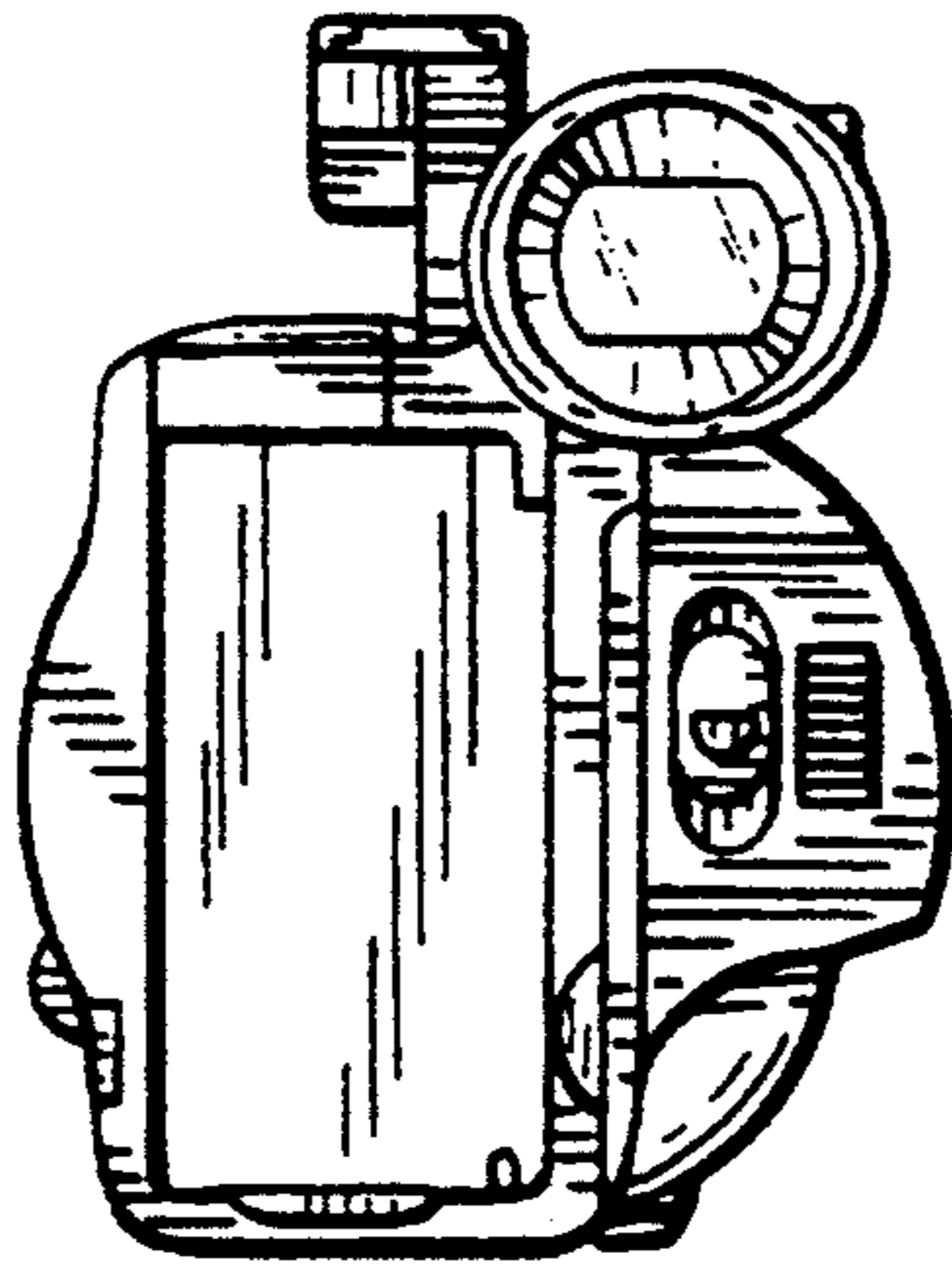


FIG. 7

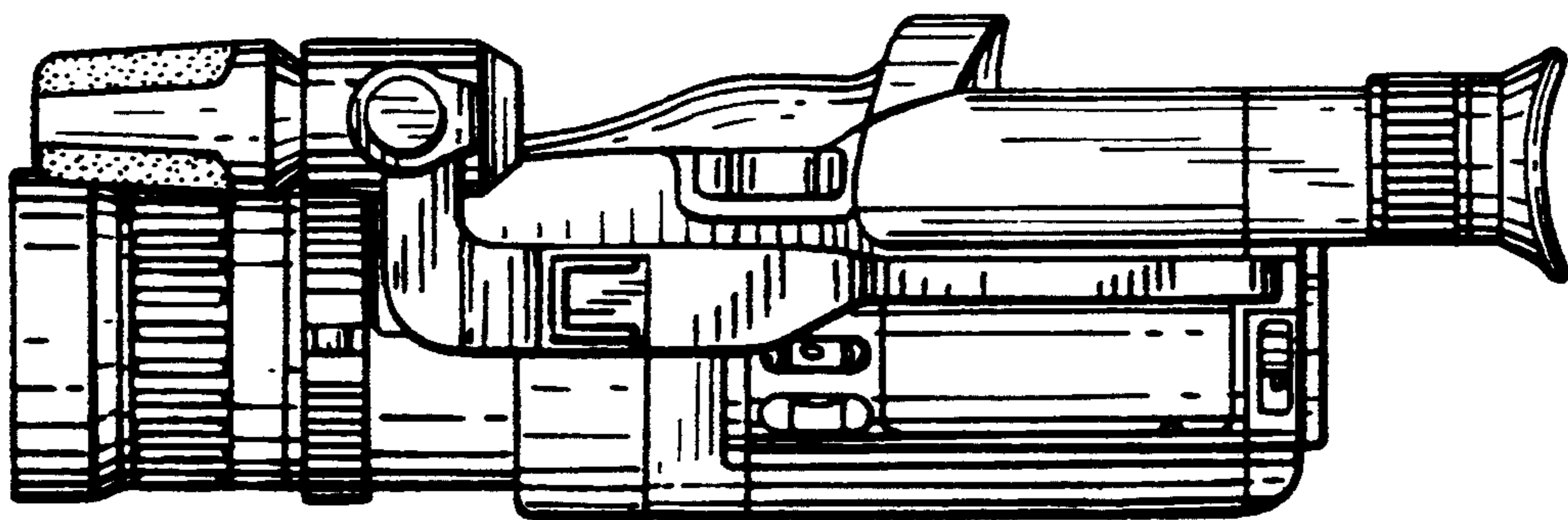


FIG. 6

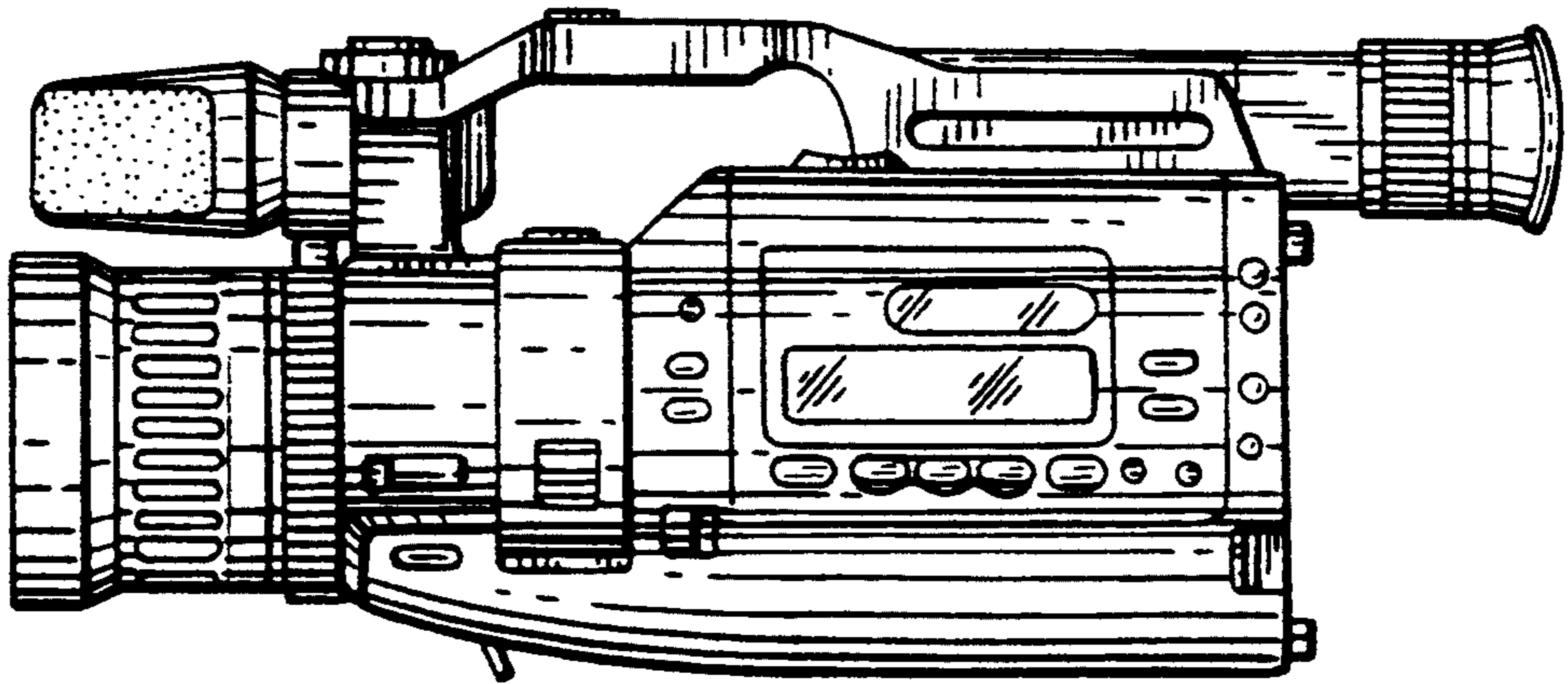


FIG. 8

