



US00D356587S

United States Patent [19]

[11] Patent Number: **Des. 356,587**

Shuler et al.

[45] Date of Patent: **** Mar. 21, 1995**

[54] **PHOTOGRAPHIC CAMERA**

[75] Inventors: **Eric T. Shuler, Orchard Park; Patrick J. Murphy, East Aurora, both of N.Y.**

[73] Assignee: **Fisher-Price, Inc., East Aurora, N.Y.**

[**] Term: **14 Years**

[21] Appl. No.: **8,861**

[22] Filed: **May 27, 1993**

[52] U.S. Cl. **D16/218; D16/200; D21/110**

[58] Field of Search **D16/200-206, D16/208, 209, 216-218; D21/110; 354/64, 65, 82, 293, 288; 446/408**

[56] **References Cited**

U.S. PATENT DOCUMENTS

D. 131,631	3/1942	Lawrence	D16/218
D. 145,412	8/1946	Storm	D16/200
D. 181,353	11/1957	Goldfarb	D21/110
D. 187,248	2/1960	Sampson	D16/202
D. 191,017	8/1961	Elliott	D16/206
D. 224,982	10/1972	Conner	D16/200
D. 321,704	11/1991	Leonard et al.	D16/200
D. 323,518	1/1992	Ko	D16/200
D. 332,810	1/1993	Fujieda	D21/110
446,374	2/1891	Whitney	354/288
488,799	12/1892	Sanders	354/288
595,036	12/1897	Bloch	354/288
1,698,063	1/1929	Ohlau	354/293
2,207,483	7/1940	Hennicke et al.	354/114
2,453,075	11/1948	Land et al.	354/166

2,527,106	10/1950	Smith .	
2,573,543	10/1951	Childs	354/114
2,638,041	5/1953	Horydczak	354/293
3,490,171	1/1970	Crawford et al.	446/408
3,581,644	6/1971	Baker et al.	354/166
3,661,064	5/1972	Norris	354/166
4,187,021	2/1980	Balser	354/293
4,272,177	6/1981	Ottenheimer	354/293
4,754,295	6/1988	Scott	354/129
4,893,141	1/1990	Smart	354/219
5,005,032	4/1991	Burnham	354/149.11

FOREIGN PATENT DOCUMENTS

1520771	8/1978	United Kingdom .
2197494A	5/1988	United Kingdom .

OTHER PUBLICATIONS

Skin Diver, Oct. 1979 cover page.

Primary Examiner—Melvin B. Feifer
Assistant Examiner—Adir Aronovich
Attorney, Agent, or Firm—Howrey & Simon

[57] **CLAIM**

The ornamental design for photographic camera, as shown.

DESCRIPTION

FIG. 1 is a front elevational view showing our new design;
FIG. 2 is a back elevational view thereof;
FIG. 3 is a left side elevational view thereof;
FIG. 4 is a right side elevation view thereof;
FIG. 5 is a top plan view thereof; and,
FIG. 6 is a bottom plan view thereof.

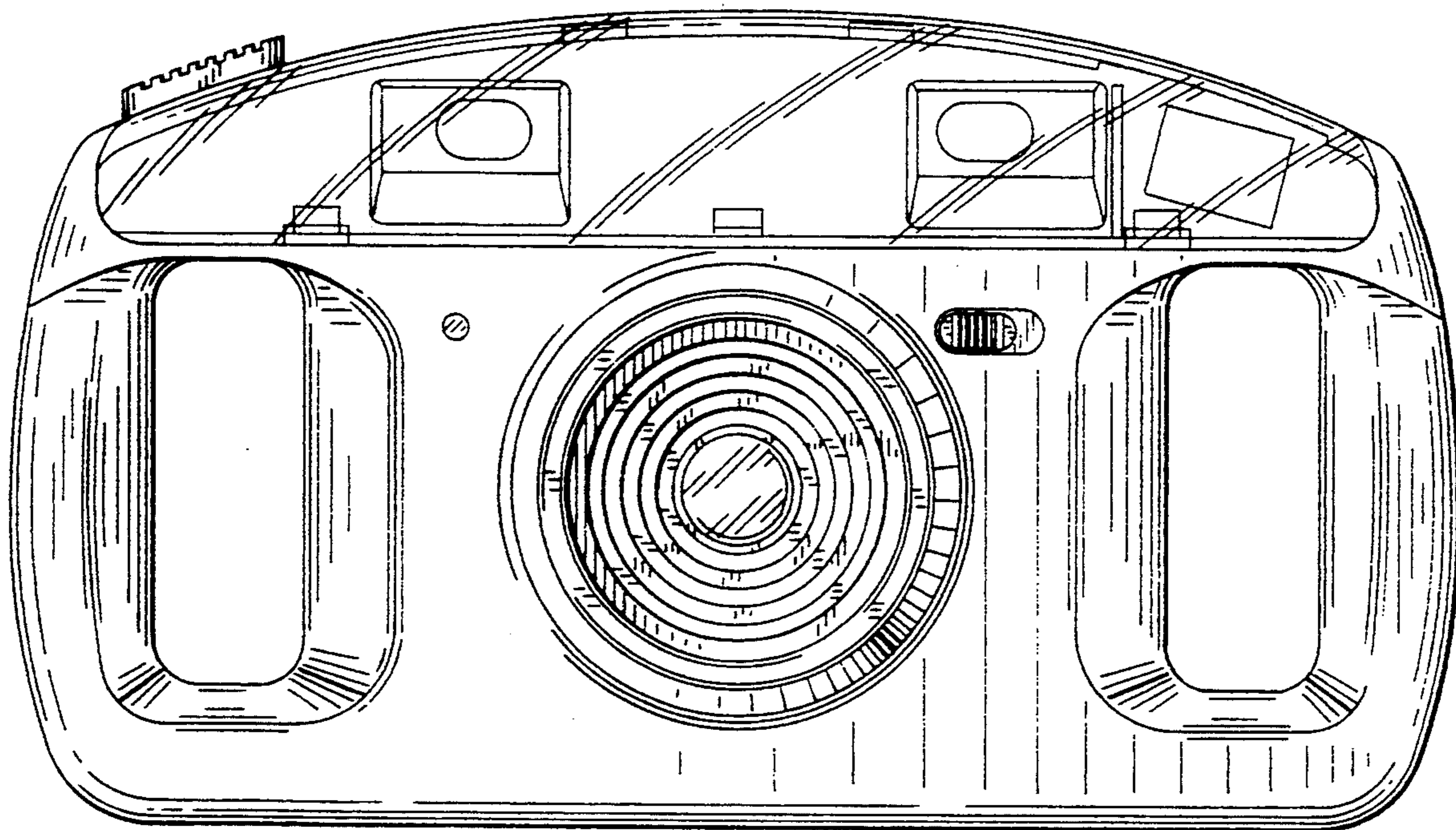


Fig. 1

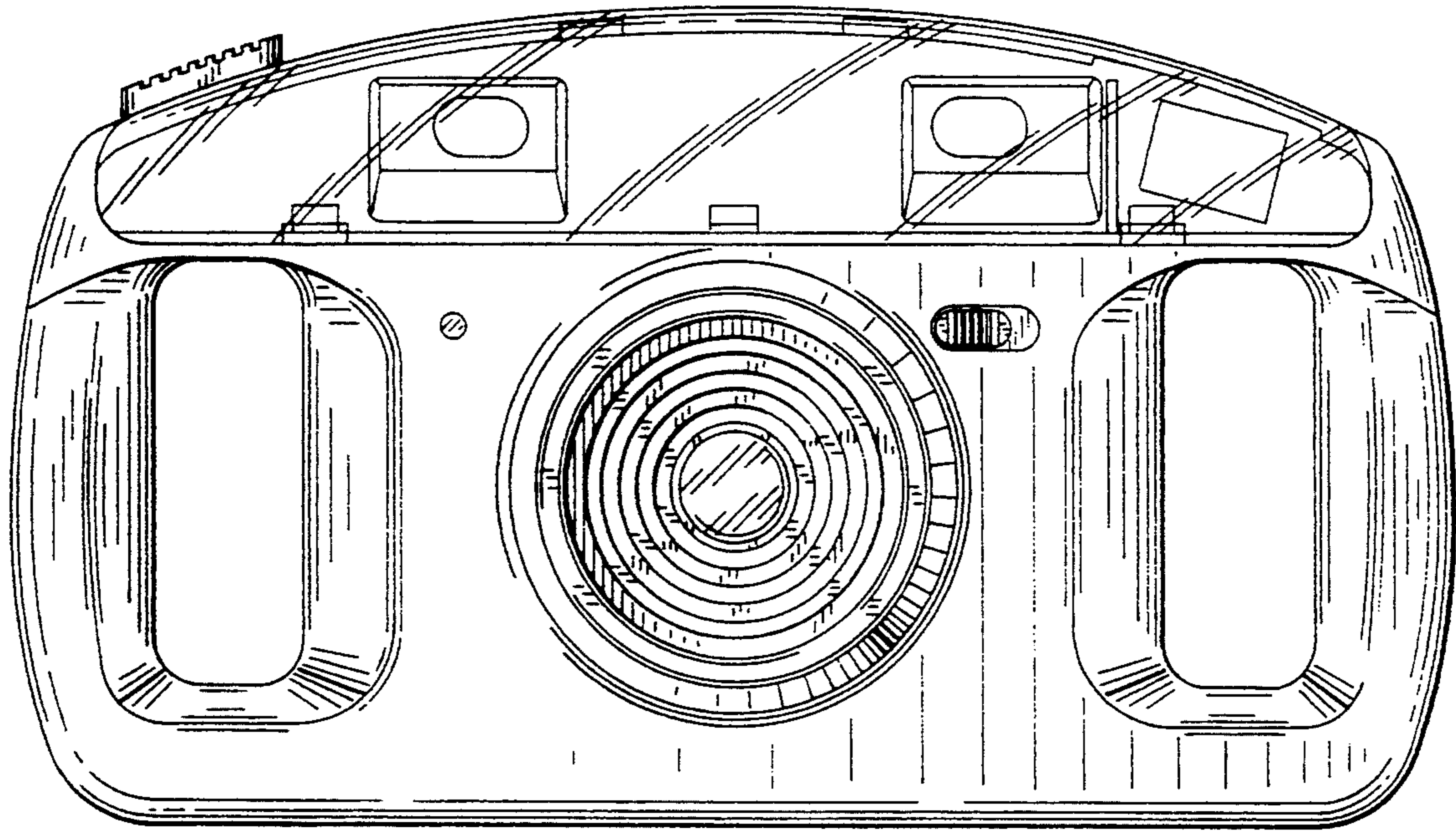


Fig. 2

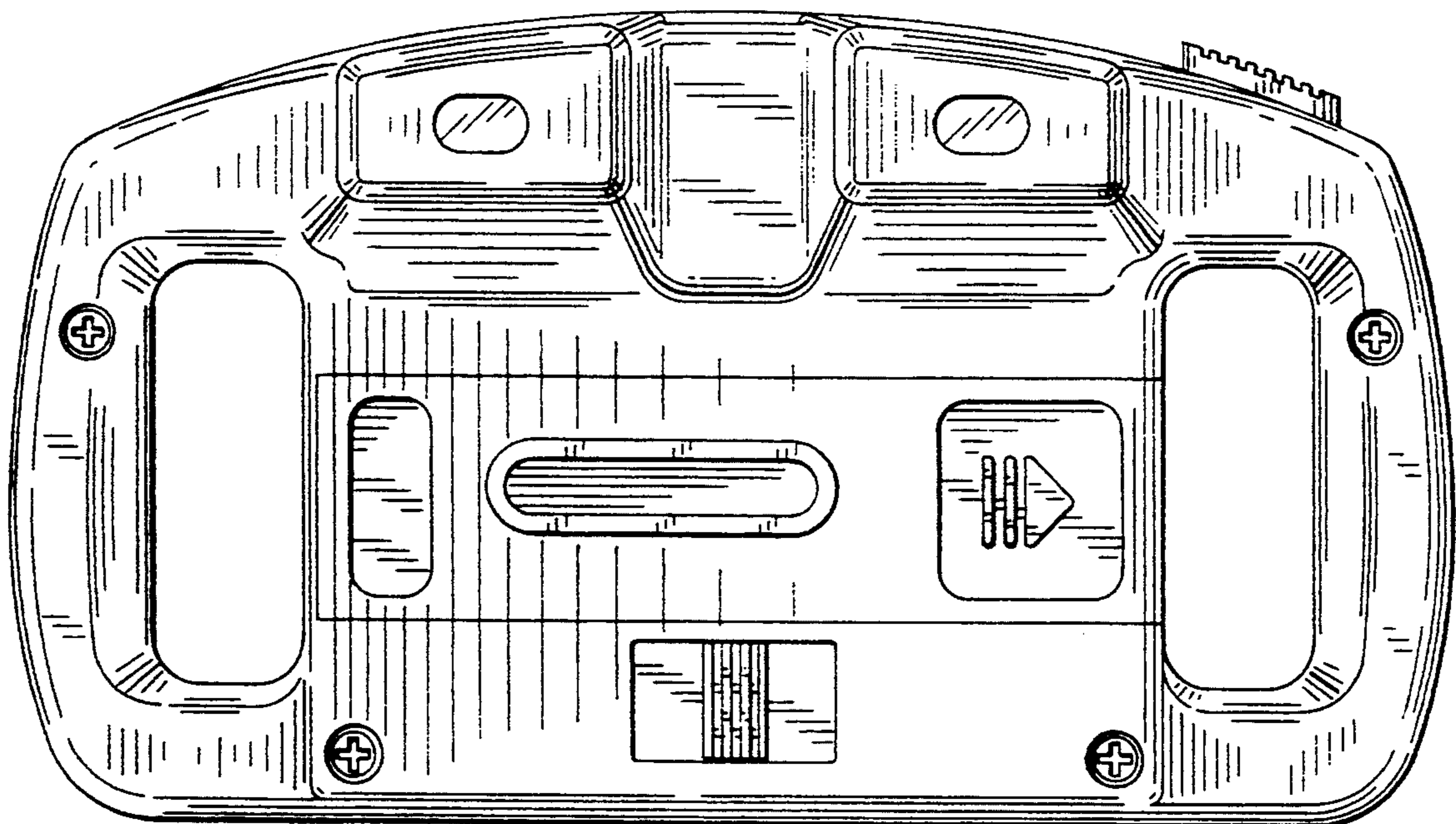


Fig. 3

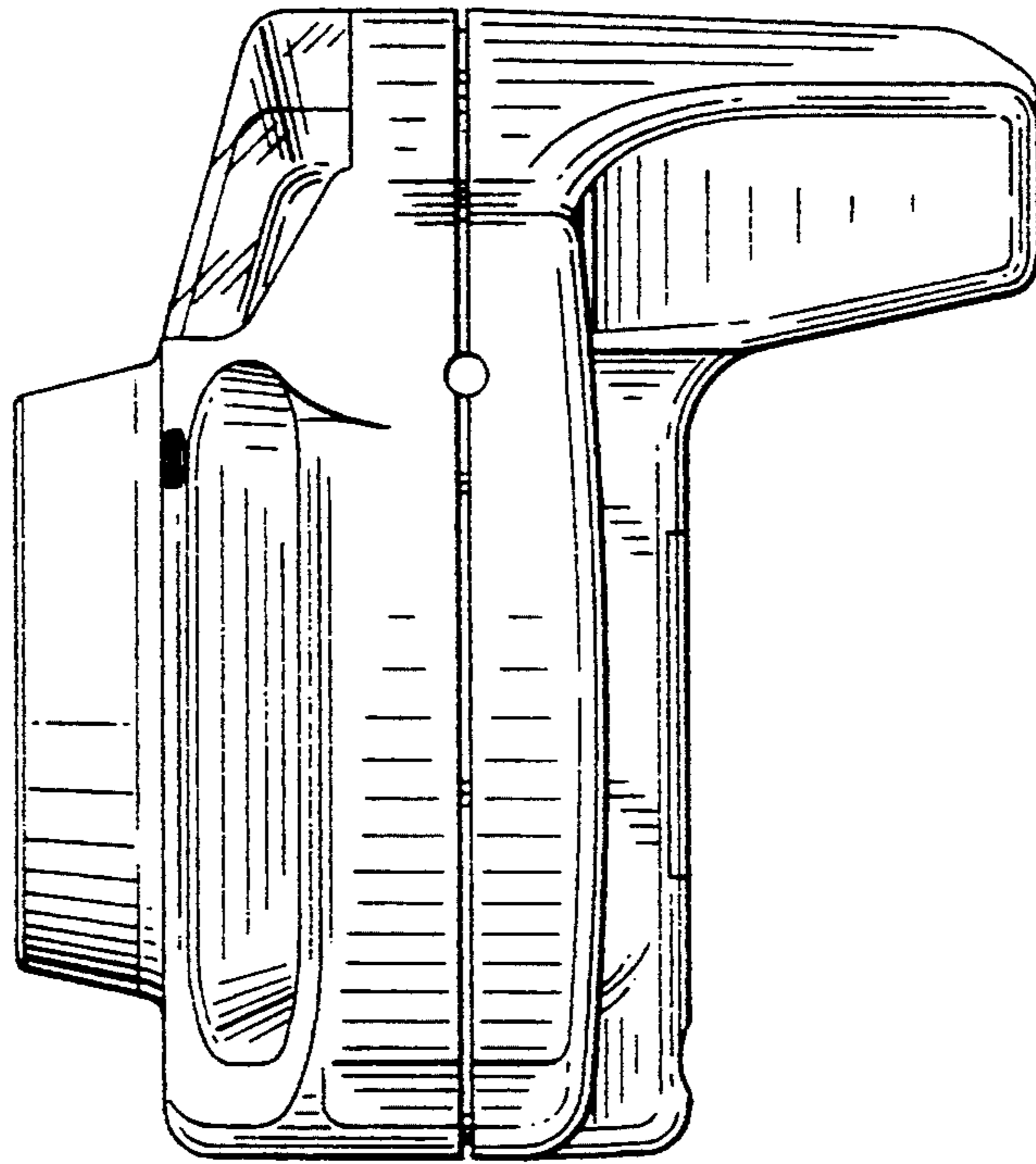


Fig. 4

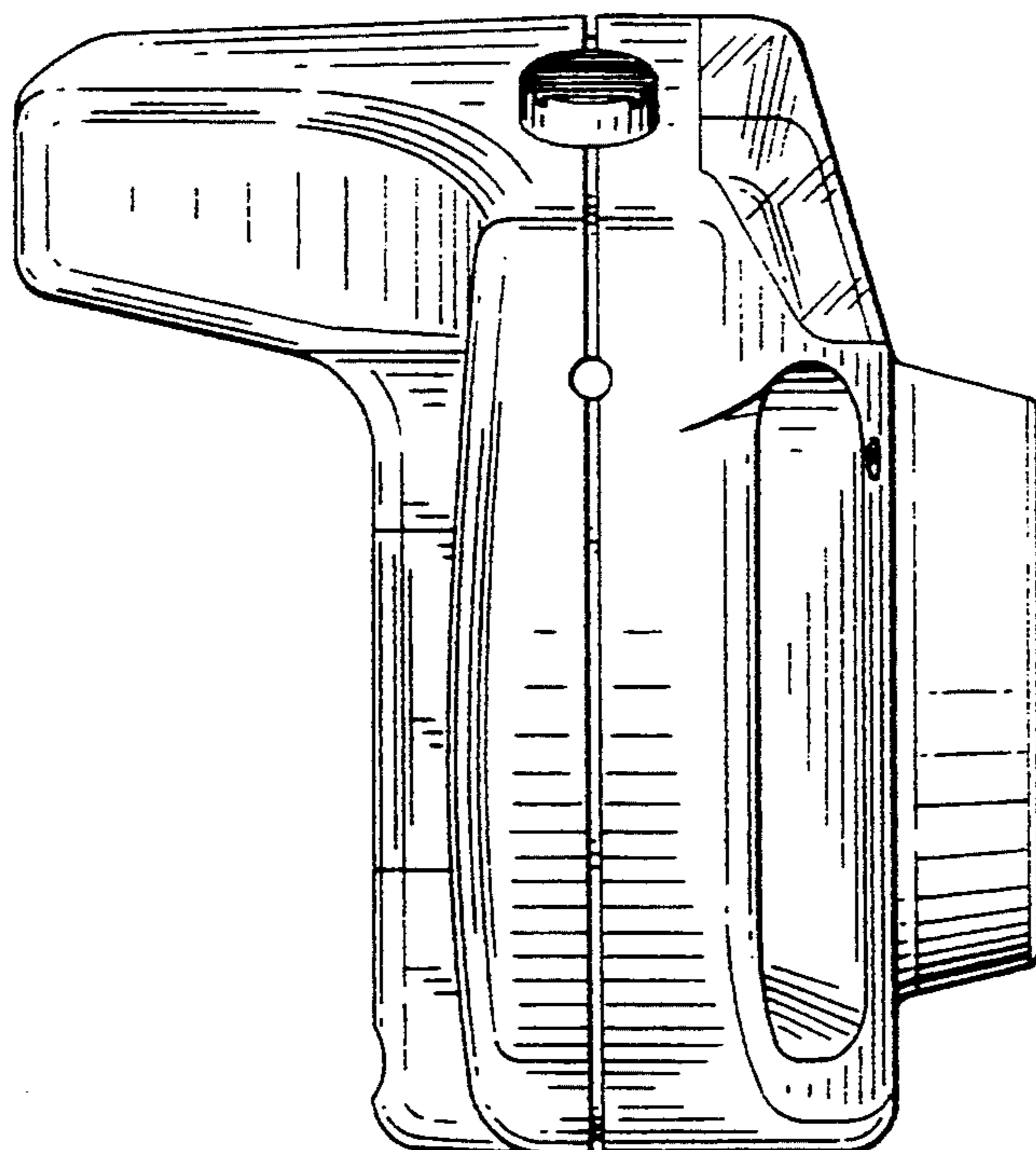


Fig. 5

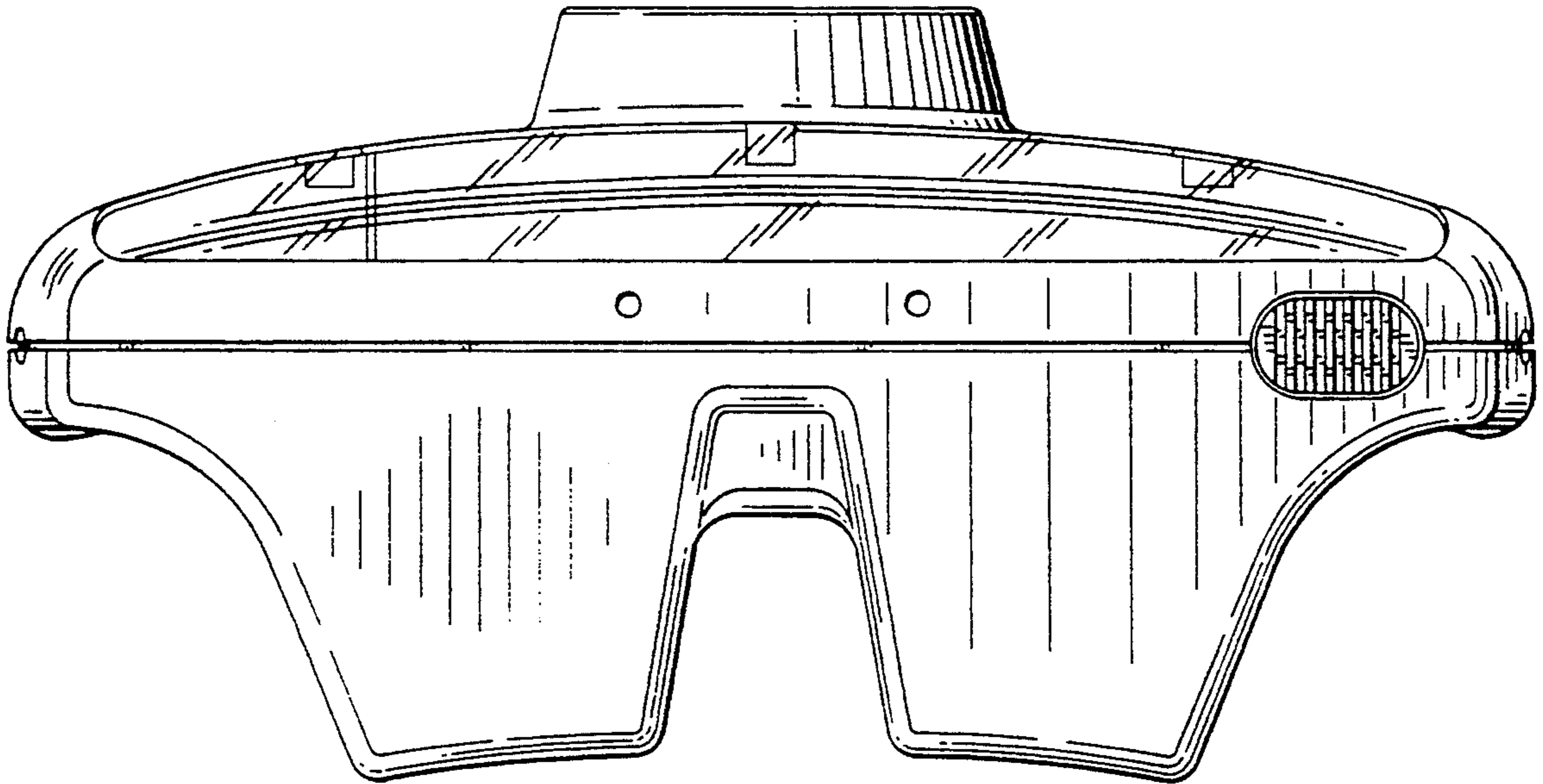


Fig. 6

