



US00D356586S

United States Patent [19] Takahashi

[11] Patent Number: **Des. 356,586**

[45] Date of Patent: **** Mar. 21, 1995**

[54] **BINOCULARS**

[75] Inventor: **Akio Takahashi, Tokyo, Japan**

[73] Assignee: **Asahi Kogaku Kogyo Kabushiki Kaisha, Tokyo, Japan**

[**] Term: **14 Years**

[21] Appl. No.: **9,537**

[22] Filed: **Jun. 17, 1993**

[30] **Foreign Application Priority Data**

Dec. 18, 1992 [JP] Japan 4-37381

[52] U.S. Cl. **D16/133**

[58] Field of Search D16/133; 359/407-419

[56] **References Cited**

U.S. PATENT DOCUMENTS

D. 83,934	4/1931	Trautmann	D16/133
D. 306,869	3/1990	Takahashi	D16/133
D. 313,029	12/1990	Lee	D16/133
2,013,288	9/1935	Porter	D16/133 X
5,062,698	11/1991	Funathu	359/414

OTHER PUBLICATIONS

Ganda Mountain, 1991 Fall/Winter. p. 211, Bausch & Lomb's Discoverer Binoculars.

Edmund Scientific Co., Catalog, p. 129, Binoculars F1556.

Primary Examiner—A. Hugo Word

Assistant Examiner—Doris V. Coles

Attorney, Agent, or Firm—Sughrue, Mion, Zinn, Macpeak & Seas

[57] **CLAIM**

The ornamental design for binoculars, as shown.

DESCRIPTION

FIG. 1 is a rear, top and right side perspective view of binoculars showing my new design;

FIG. 2 is a rear elevational view thereof;

FIG. 3 is a front elevational view thereof;

FIG. 4 is a top plan view thereof;

FIG. 5 is a bottom plan view thereof;

FIG. 6 is a right side elevational view thereof;

FIG. 7 is a left side elevational view thereof; and,

FIG. 8 is a front and bottom perspective view thereof.

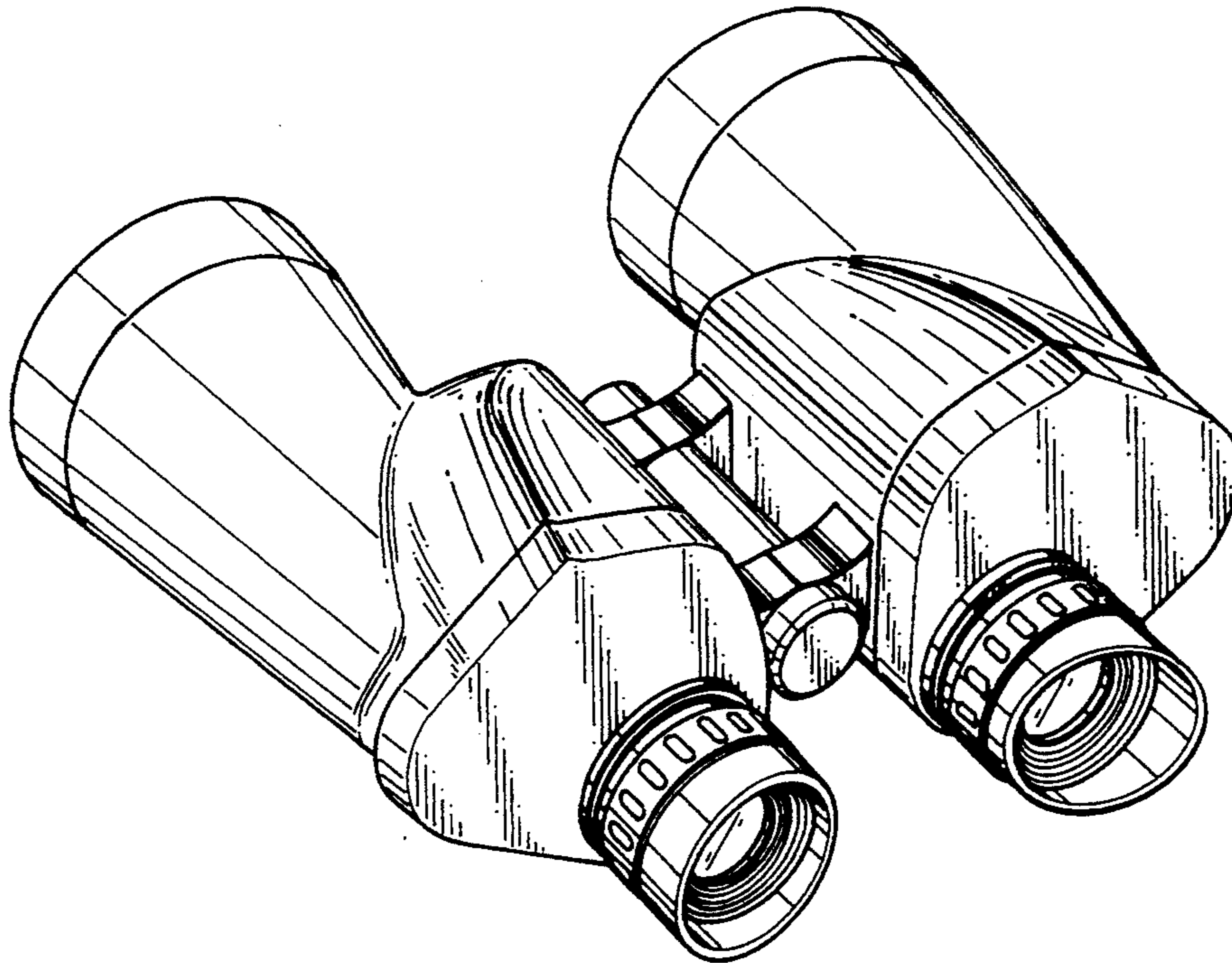


Fig. 1

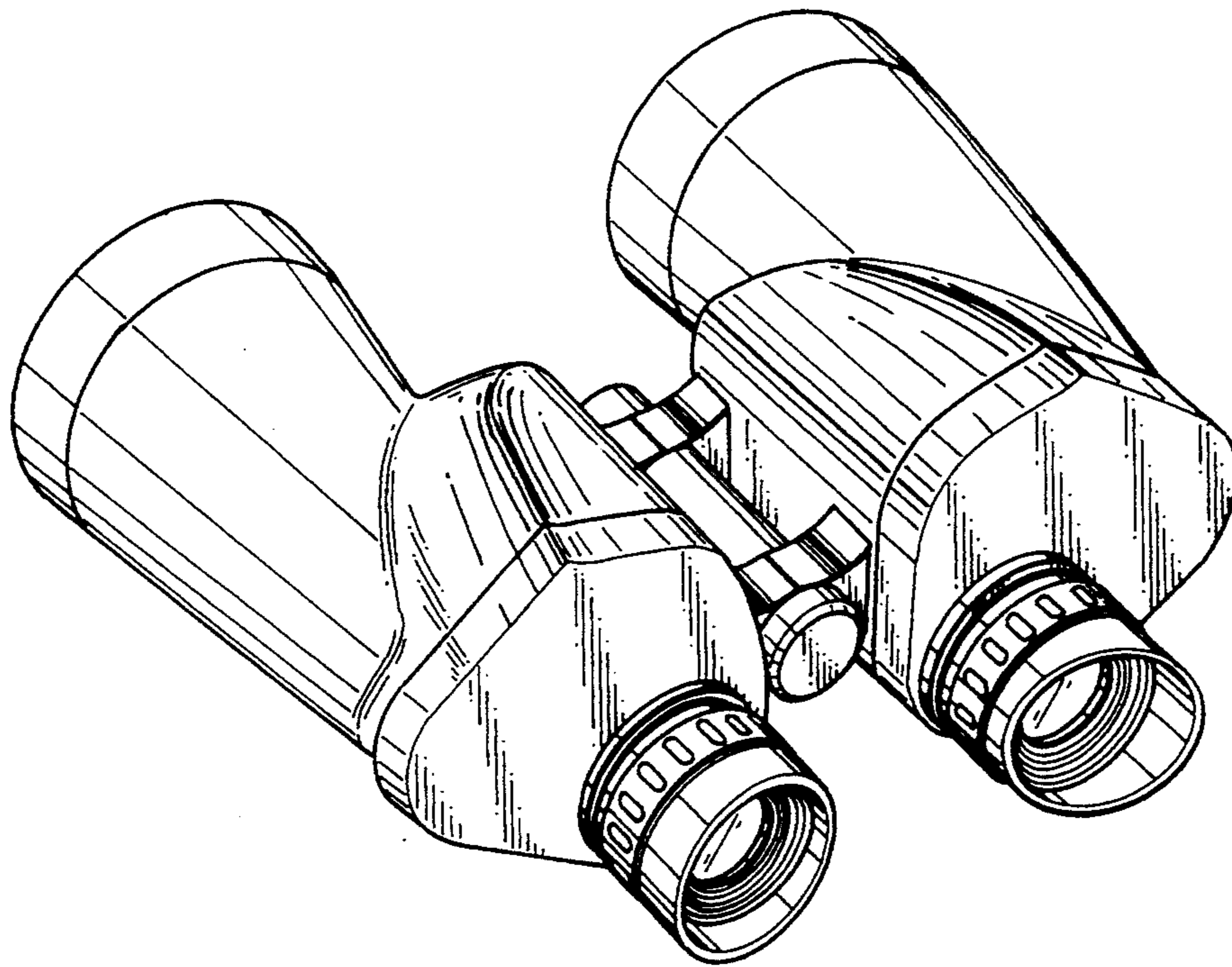


Fig. 2

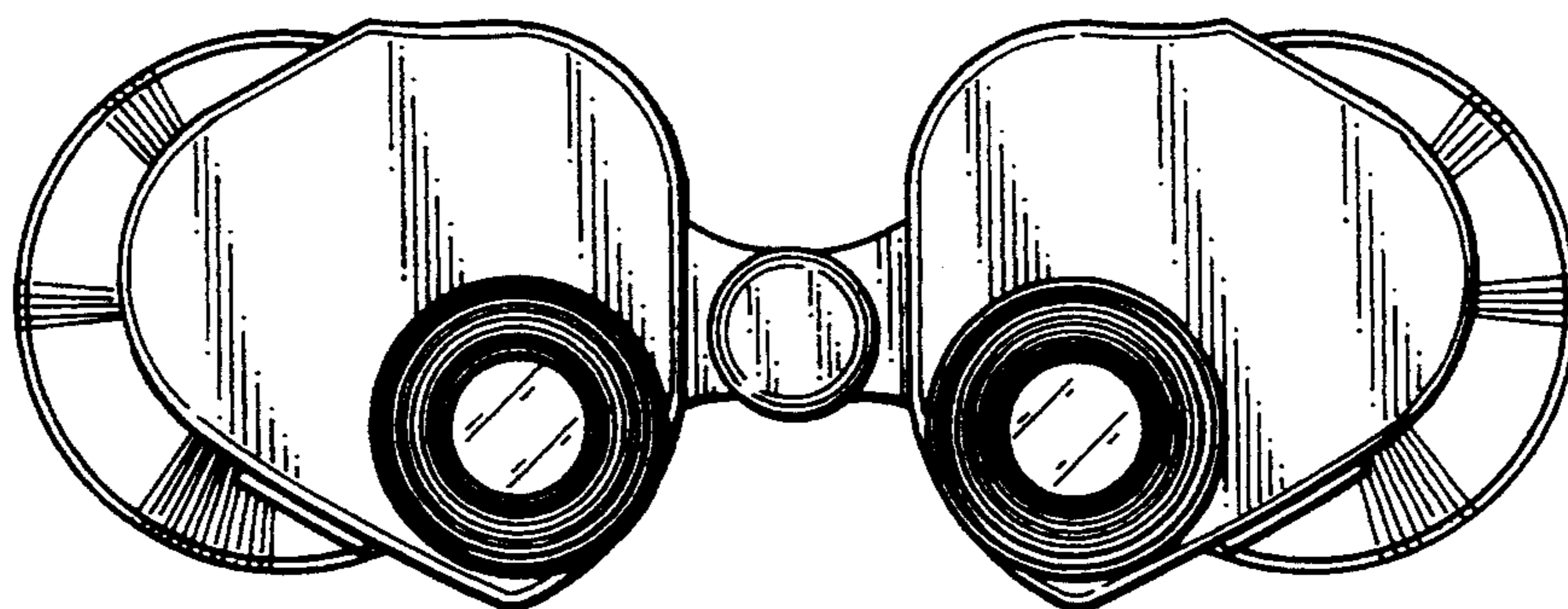


Fig. 3

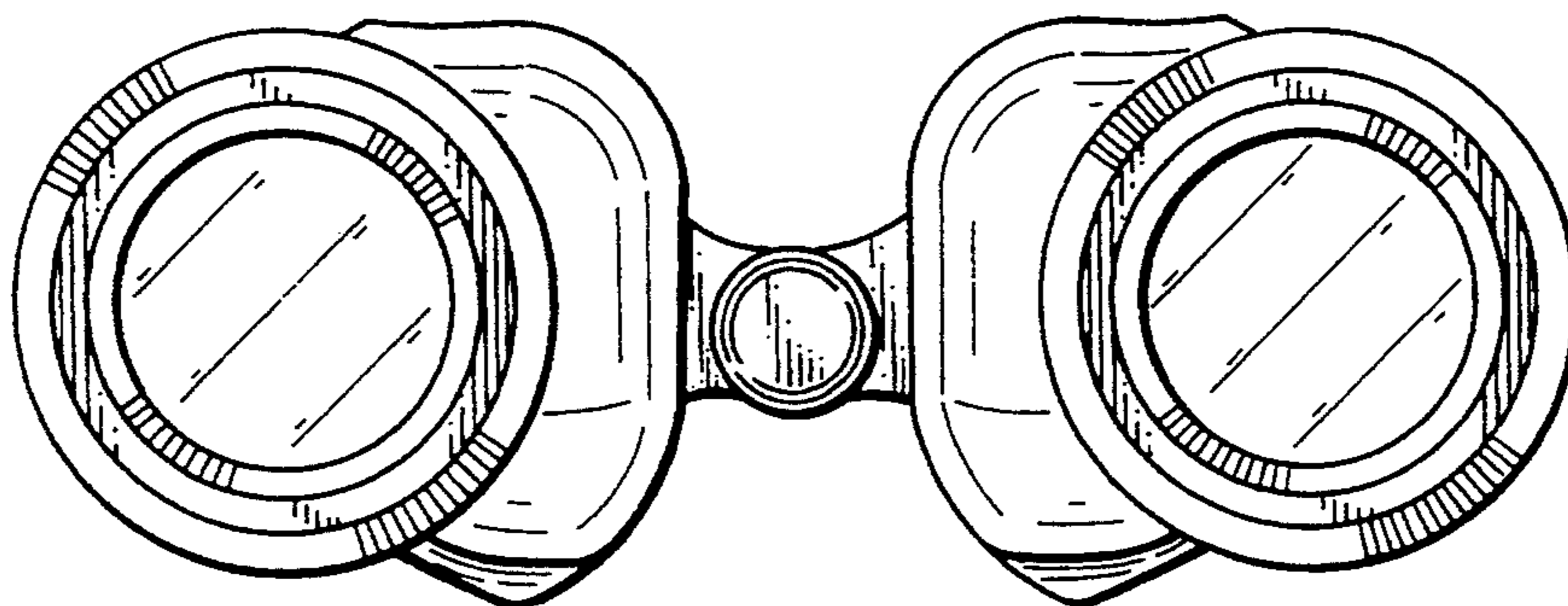


Fig. 4

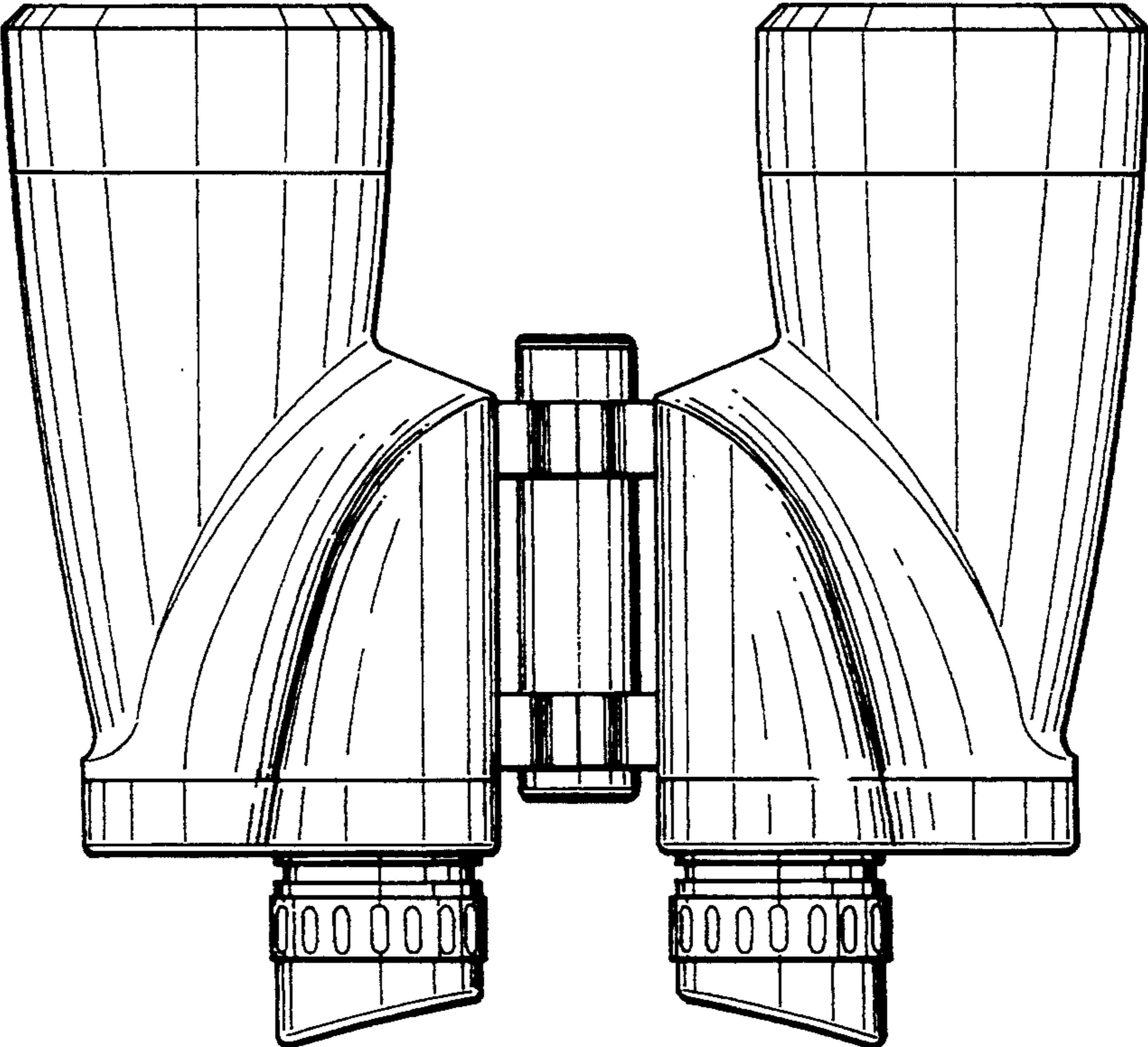


Fig. 5

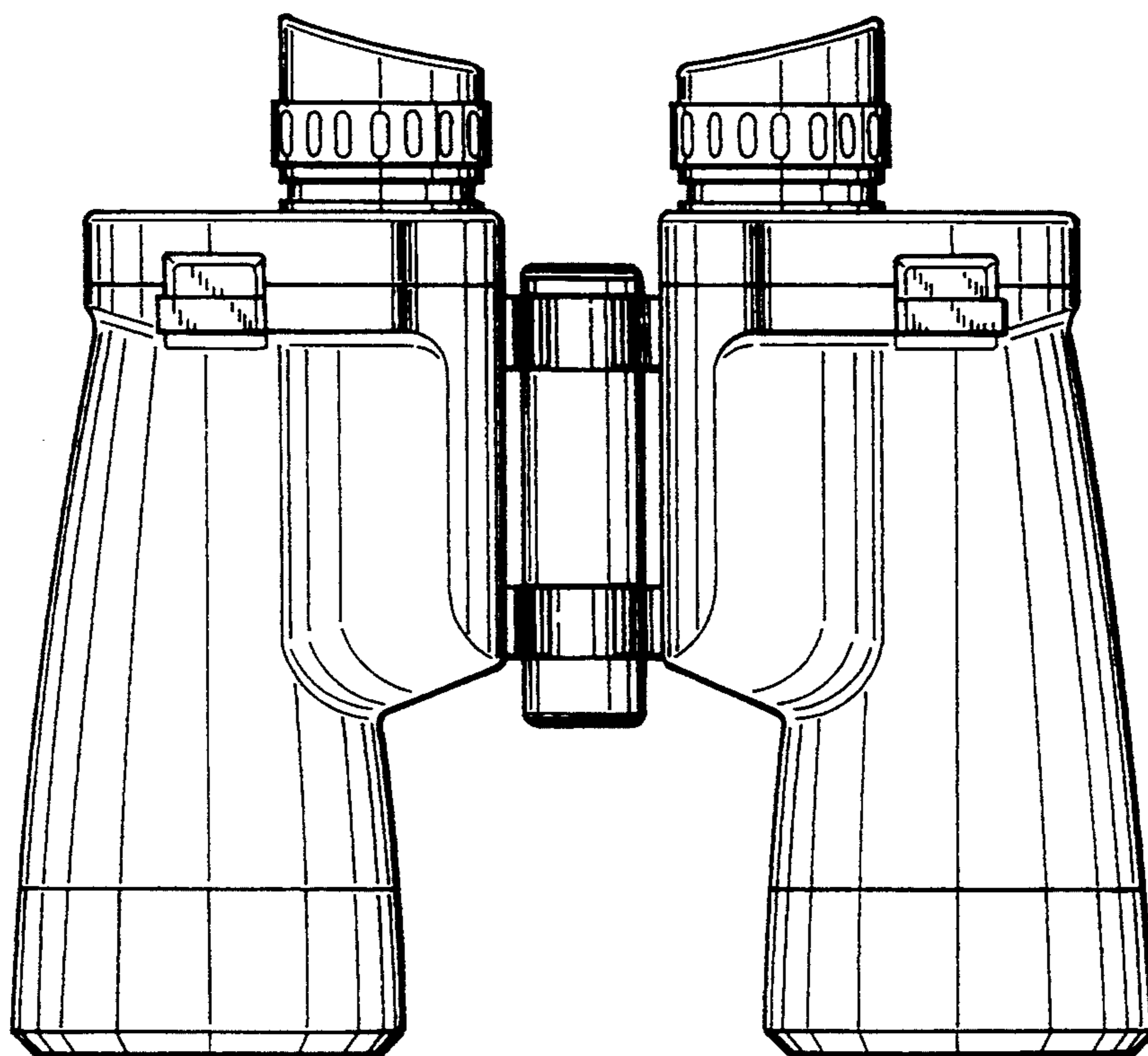


Fig. 6

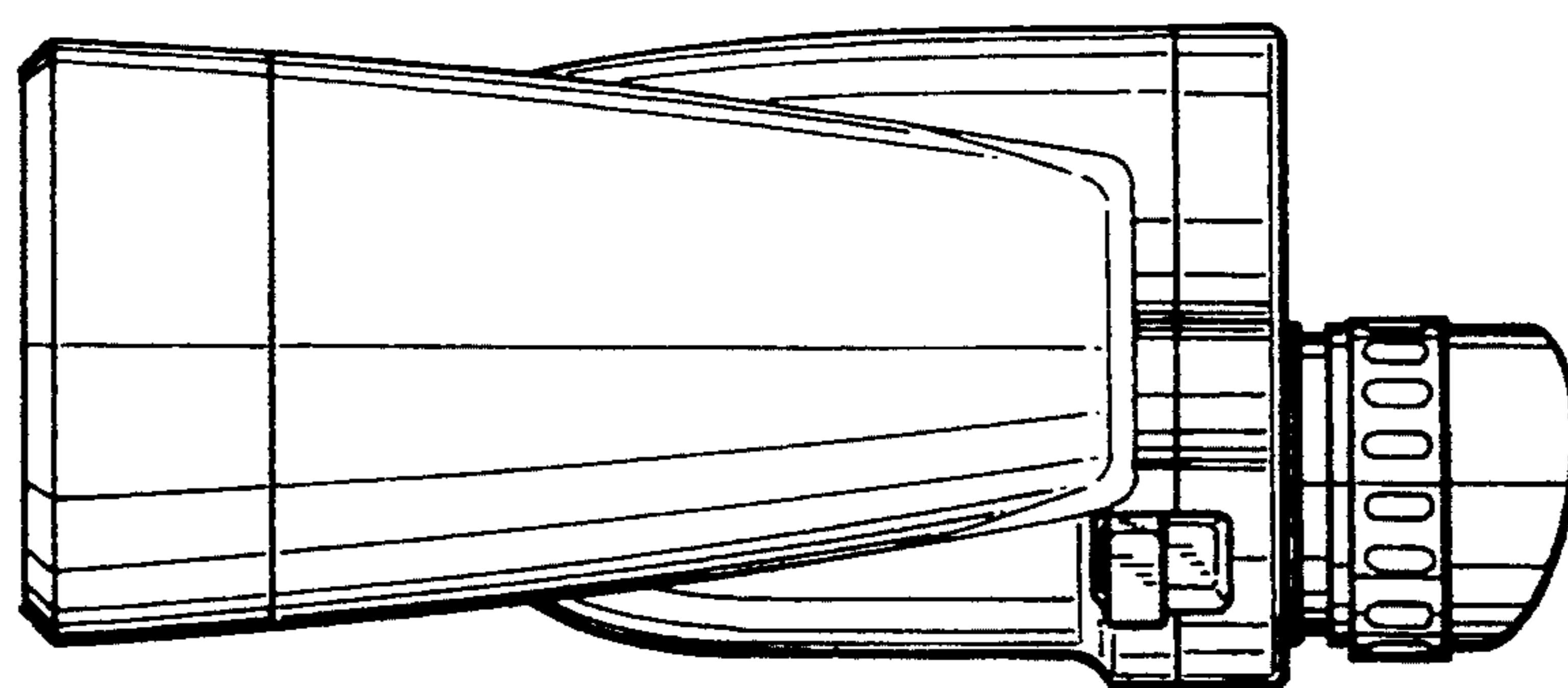


Fig. 7

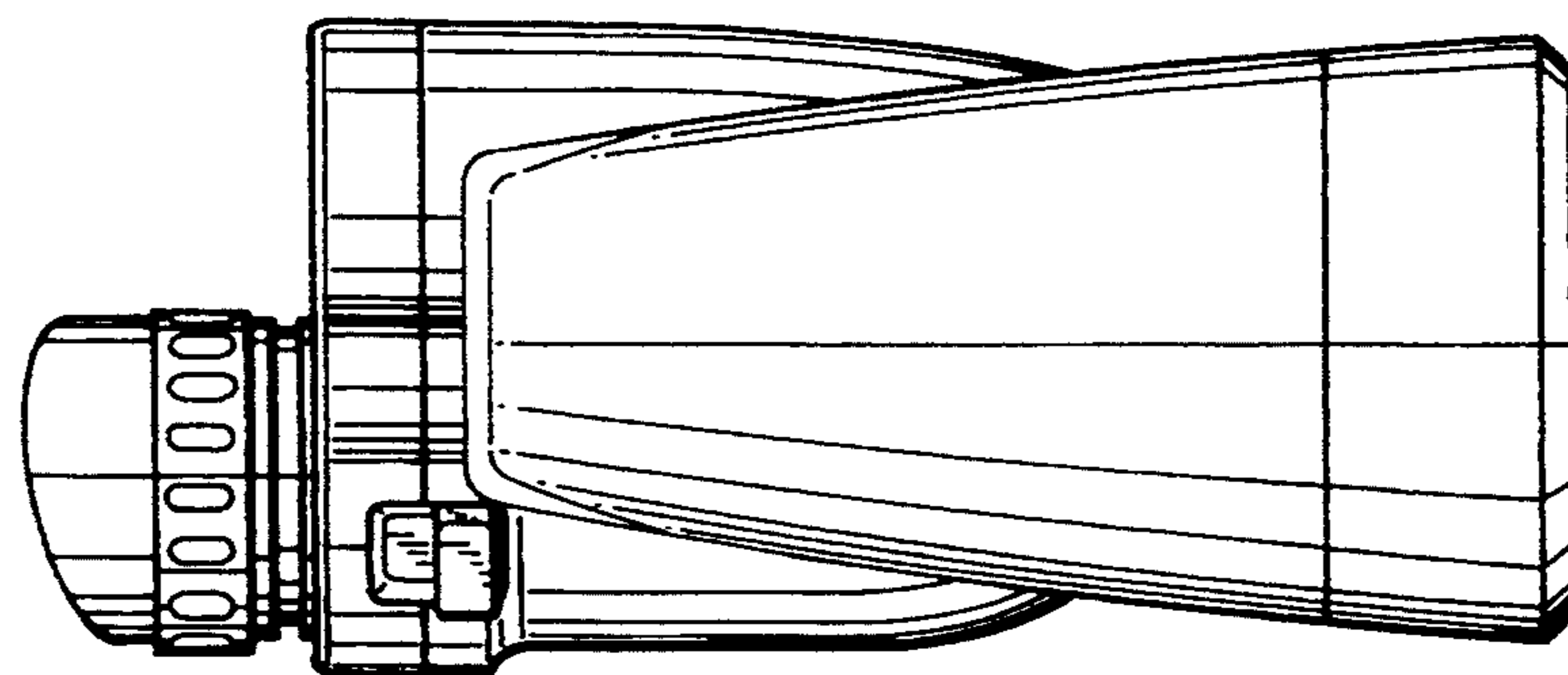


Fig. 8

