



US00D356585S

United States Patent [19]

[11] Patent Number: **Des. 356,585**

Hersant et al.

[45] Date of Patent: **** Mar. 21, 1995**

[54] **HANDLE FOR THE LID OF A STIRRER**

D. 320,561 10/1991 Glazer D7/395 X
4,038,718 8/1977 Reilhac et al. 16/110 R
4,390,200 6/1983 Fishbach 16/110 A X

[75] Inventors: **Maurice Hersant; Jean-Marc Broudin**, both of Orleans, France

Primary Examiner—Alan P. Douglas
Assistant Examiner—Antoine D. Davis
Attorney, Agent, or Firm—Scully, Scott, Murphy & Presser

[73] Assignee: **F.A.S., Cedex**, France

[**] Term: **14 Years**

[21] Appl. No.: **15,056**

[57] **CLAIM**

[22] Filed: **Nov. 4, 1993**

The ornamental design for a handle for the lid of a stirrer, as shown.

[30] **Foreign Application Priority Data**

DESCRIPTION

May 6, 1993 [FR] France 932460

[52] U.S. Cl. **D15/142; D32/54**

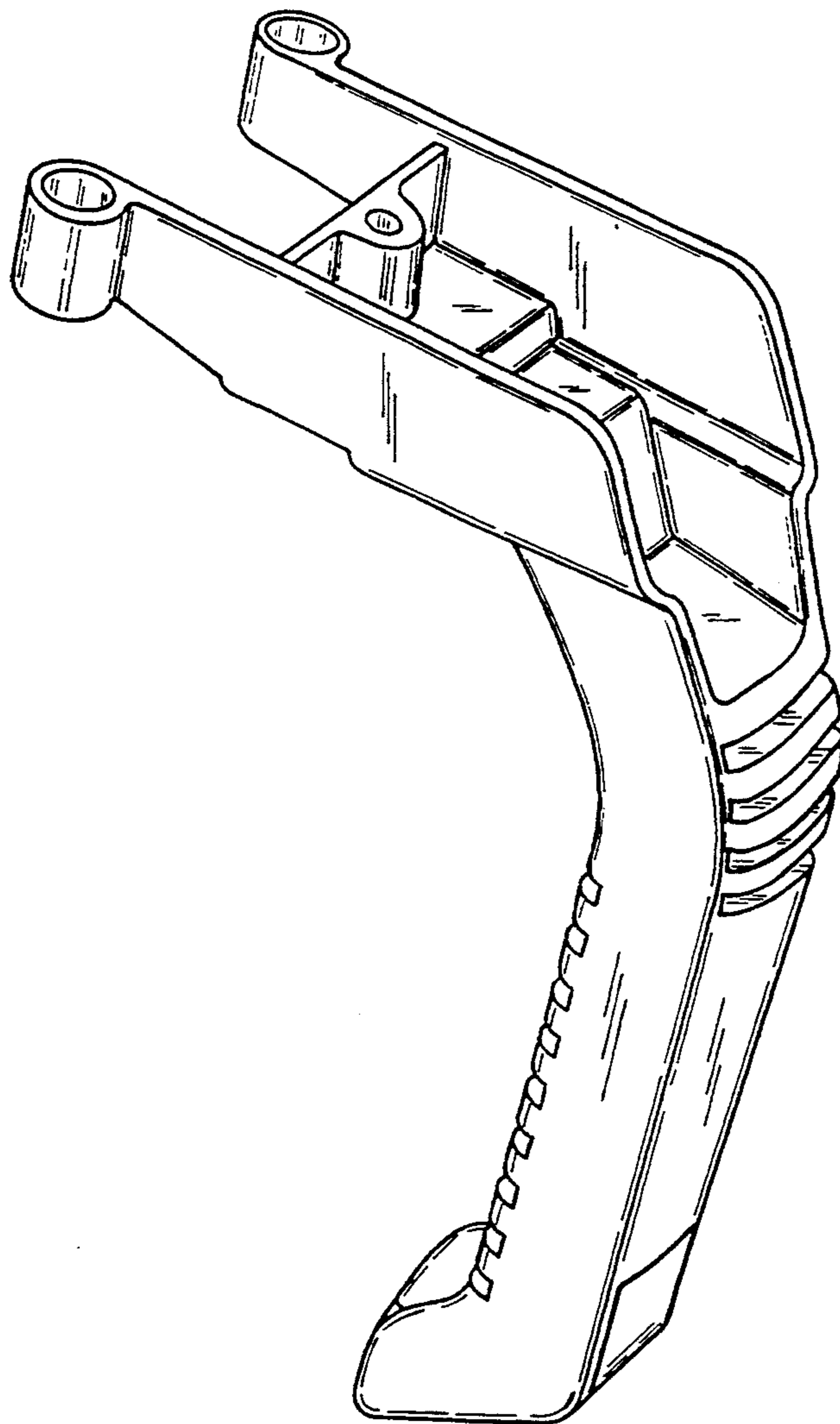
[58] Field of Search D15/142, 147; D7/393,
D7/396; D8/307-309; D32/54; D34/35;
16/110 R, 110 A, DIG. 19

FIG. 1 is a perspective view of the handle for the lid of a stirrer showing our new and ornamental design;
FIG. 2 is an end view thereof;
FIG. 3 is an opposite end view thereof;
FIG. 4 is a bottom view thereof;
FIG. 5 is a top plan view thereof;
FIG. 6 is a right side view thereof; and,
FIG. 7 is a left side view thereof.

[56] **References Cited**

U.S. PATENT DOCUMENTS

D. 209,485 12/1967 Müller D8/307



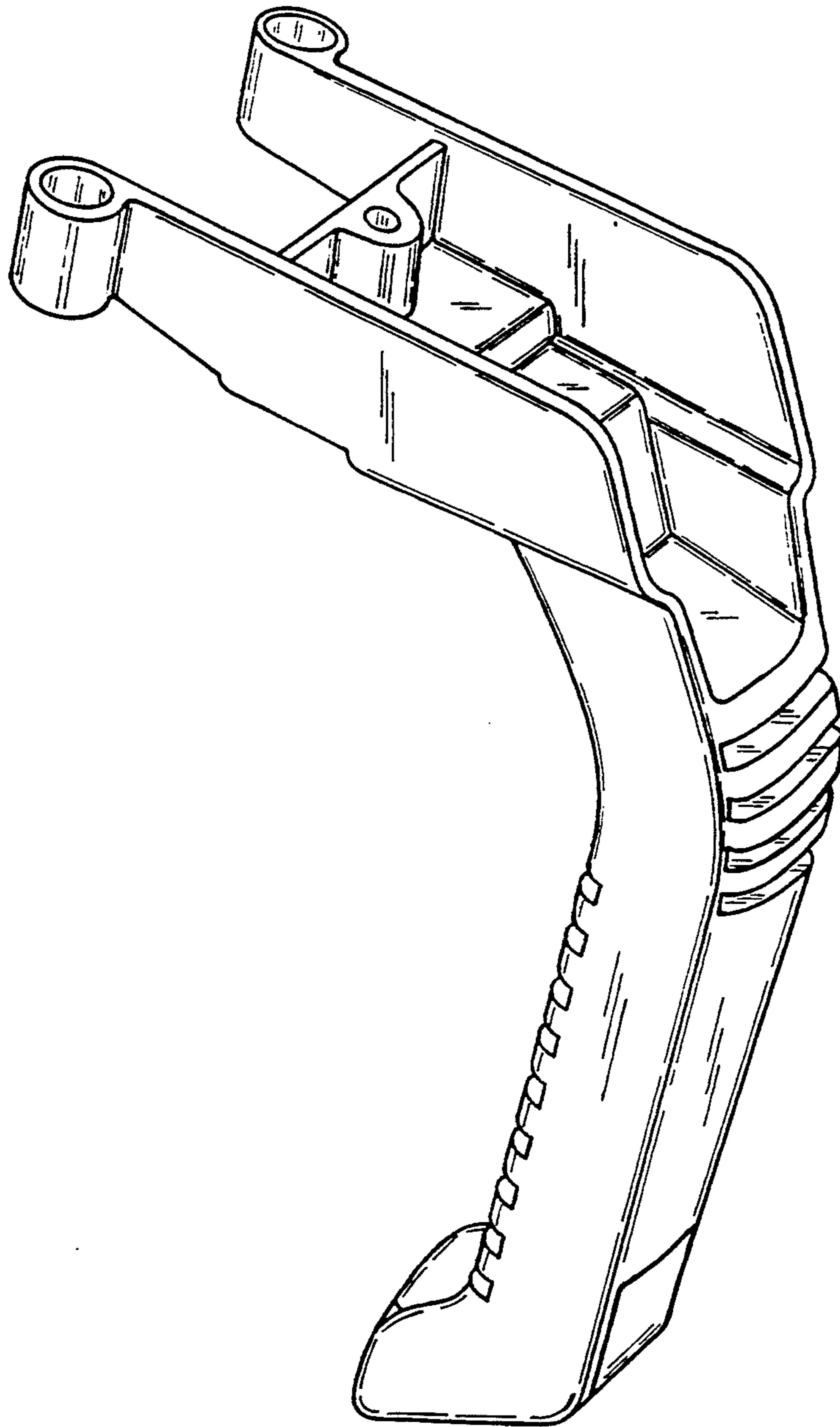


FIG. 1

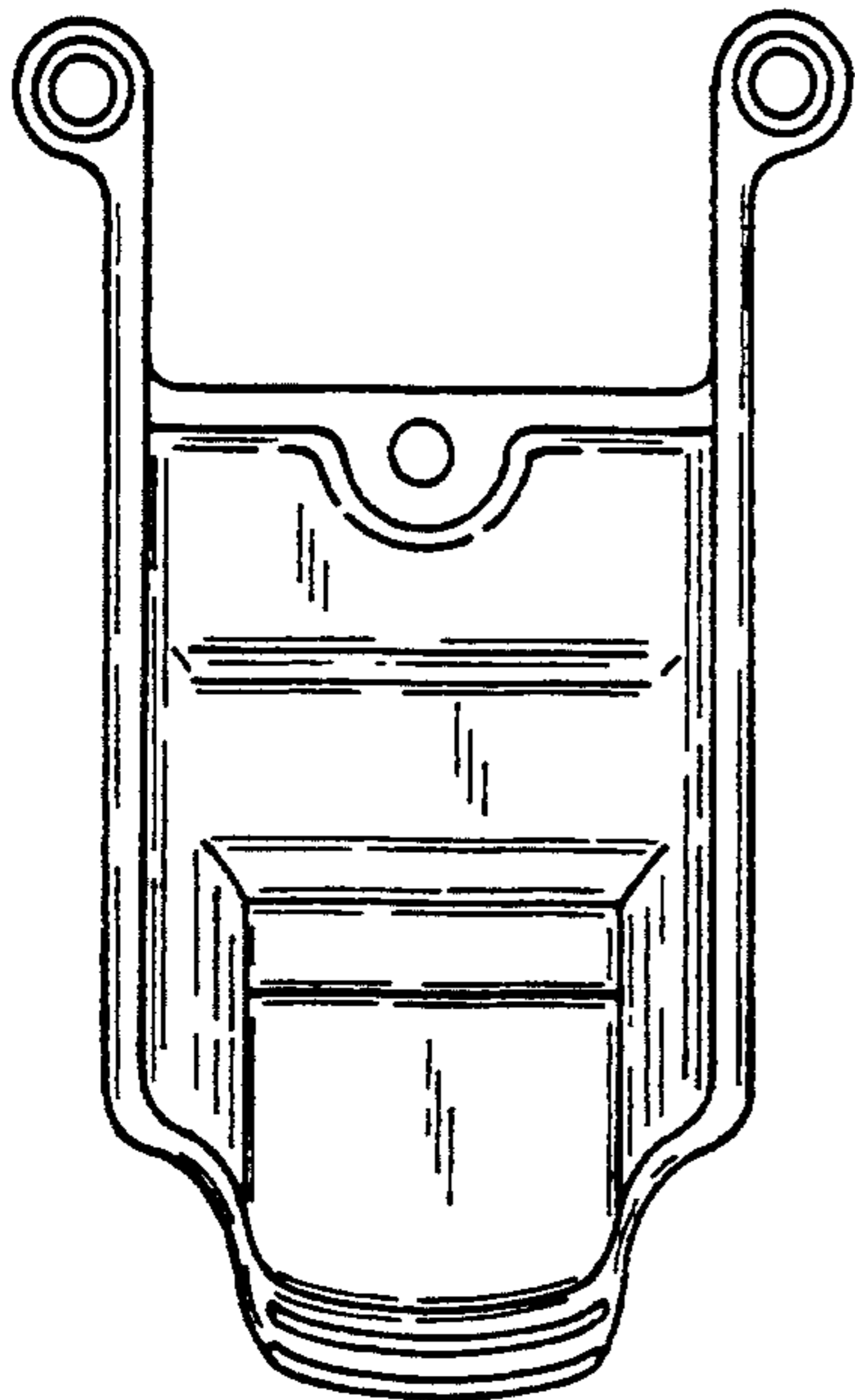


FIG. 2

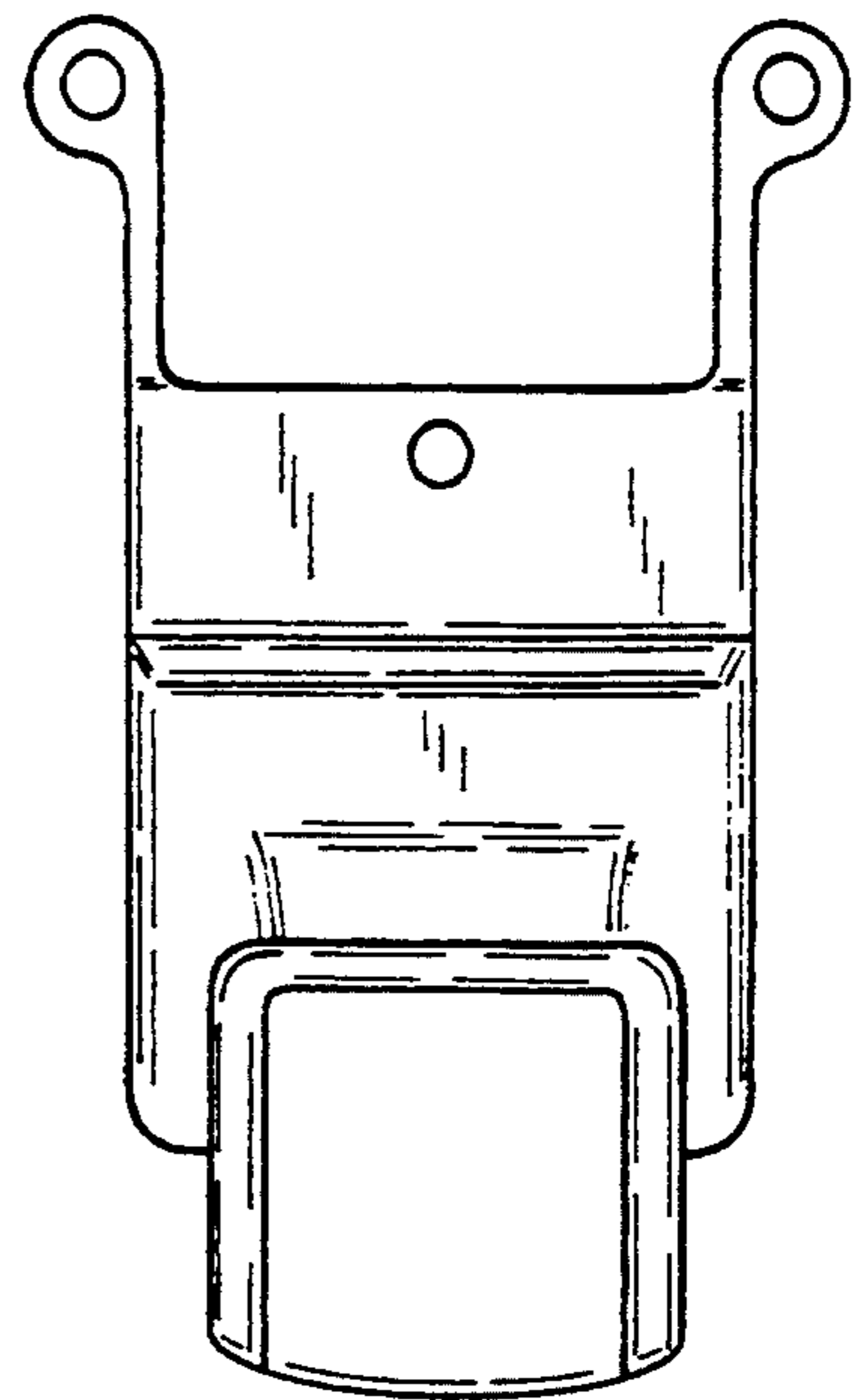


FIG. 3

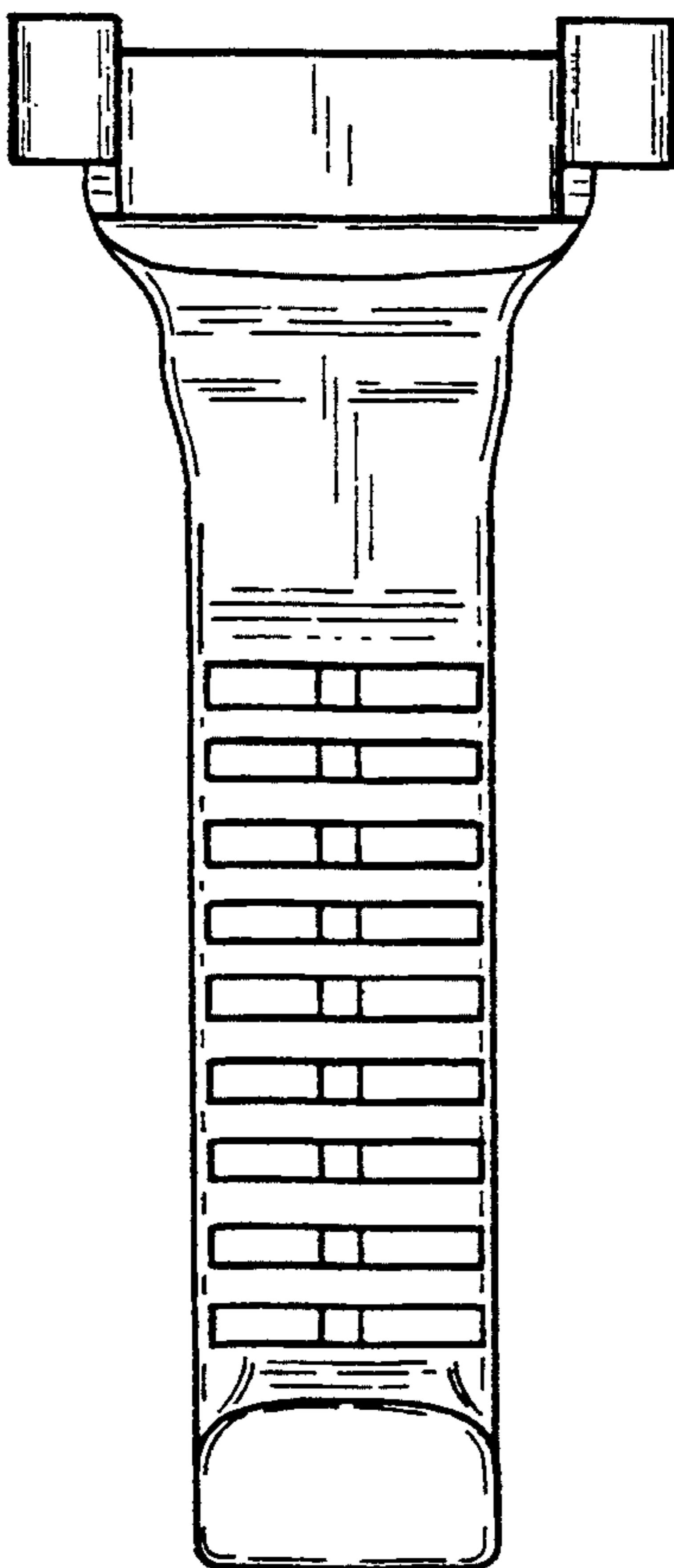


FIG. 4

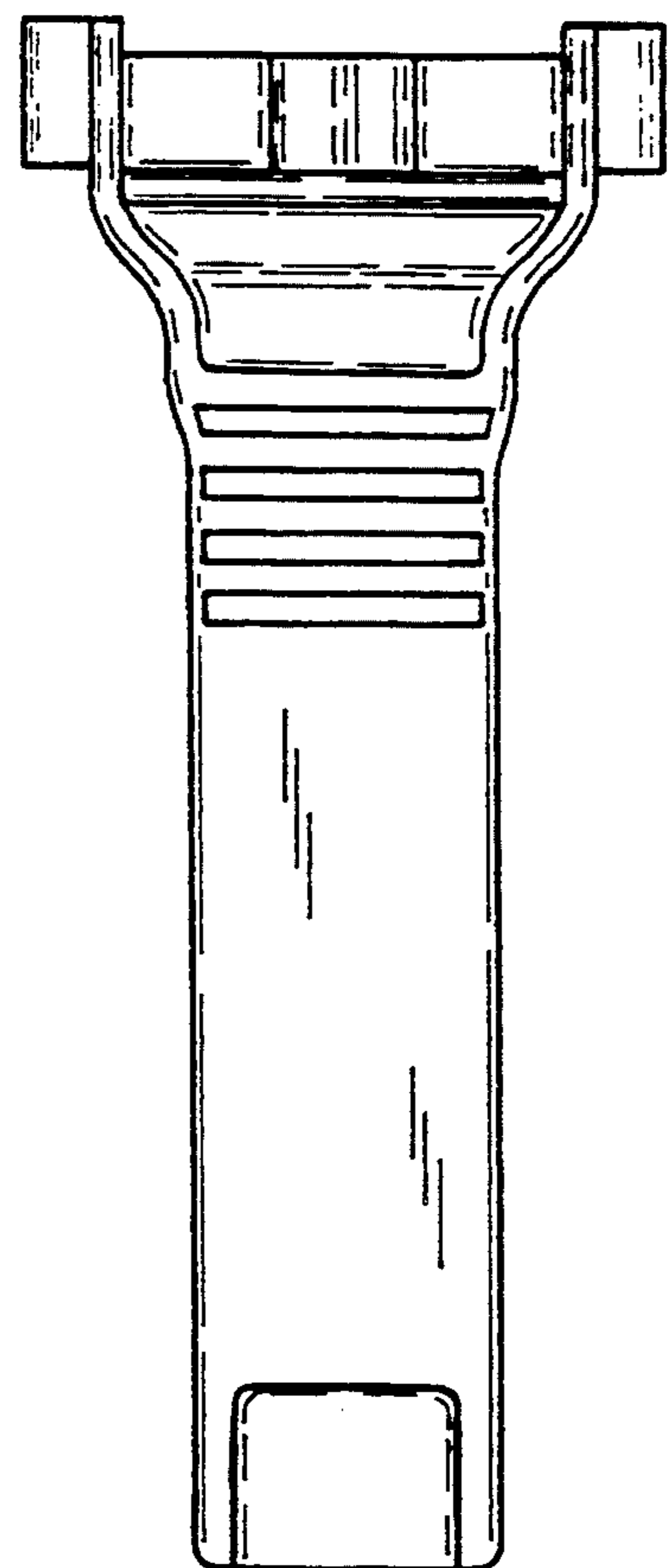


FIG. 5

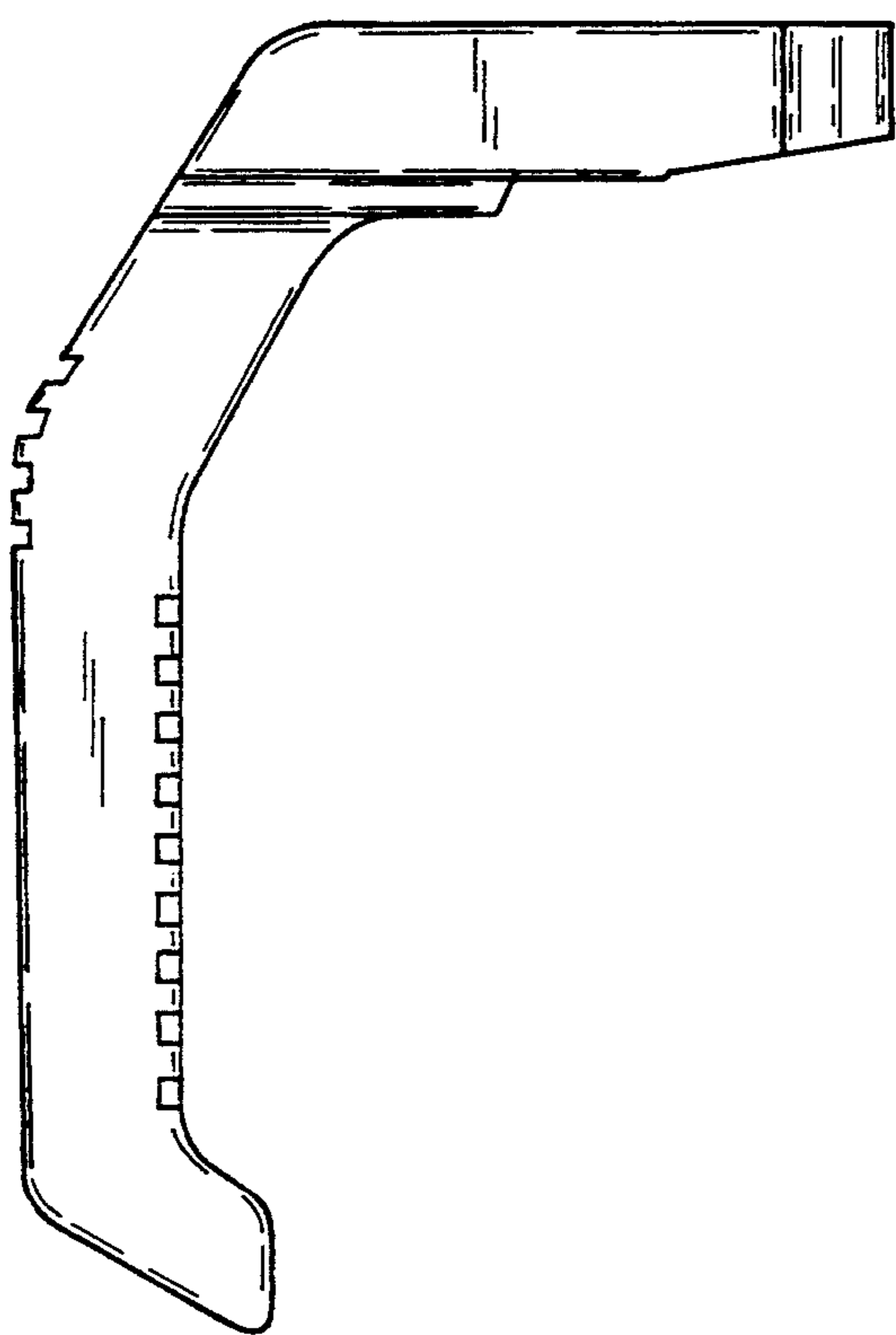


FIG. 6

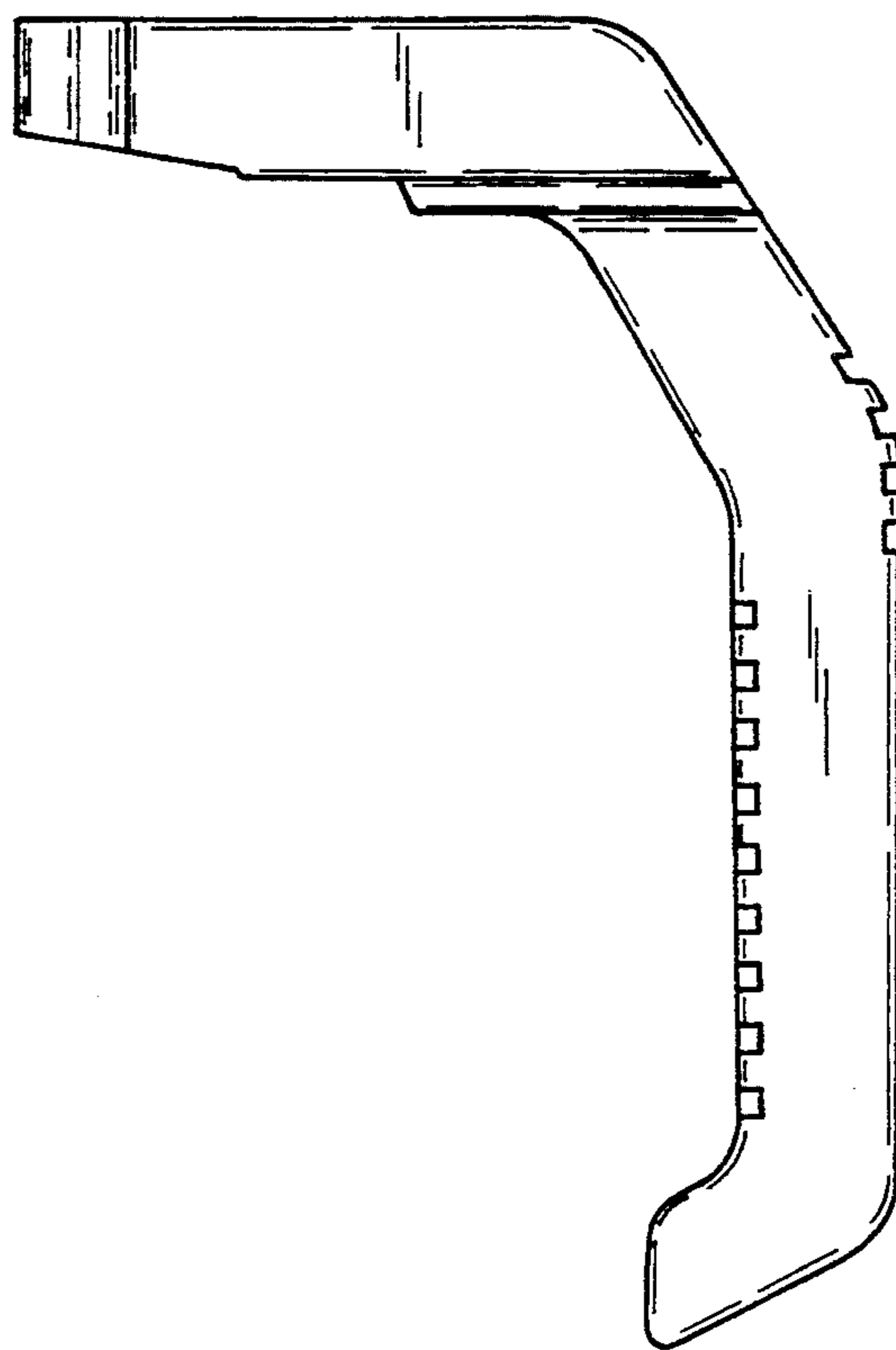


FIG. 7