



US00D356583S

United States Patent [19]

[11] Patent Number: **Des. 356,583**

Cordova

[45] Date of Patent: **** Mar. 21, 1995**

[54] **ADAPTABLE CARRIAGE FOR WEED TRIMMERS**

[76] Inventor: **Arnold G. Cordova**, 29 E. Naples St., Chula Vista, Calif. 91911

[**] Term: **14 Years**

[21] Appl. No.: **16,038**

[22] Filed: **Dec. 6, 1993**

[52] U.S. Cl. **D15/17; D8/8**

[58] Field of Search **D15/10, 14-18; D8/8; 56/12.7, 16.7, 17.1, 17.2, 17.5; 172/13-15, 17**

4,829,755	5/1989	Nance	56/17.1
4,922,694	5/1990	Emoto	56/16.7
4,936,886	6/1990	Quillen	56/16.7
5,070,685	12/1991	Galt	56/16.7
5,092,112	3/1992	Buckendorf, Jr.	56/17.5
5,095,687	3/1992	Andrew et al.	56/12.7
5,222,750	6/1993	Ellis	172/15
5,317,807	6/1994	Pulley	56/12.7

Primary Examiner—Bernard Ansher

Assistant Examiner—Sandra Morris

[57] CLAIM

The ornamental design for the adaptable carriage for weed trimmers, as shown and described.

DESCRIPTION

FIG. 1 is a front elevational view of the adaptable carriage for weed trimmers showing my new design;
 FIG. 2 is a rear elevational view thereof;
 FIG. 3 is a left side elevational view thereof;
 FIG. 4 is a right side elevational view thereof;
 FIG. 5 is a top plan view thereof; and,
 FIG. 6 is a bottom plan view thereof.

[56] References Cited

U.S. PATENT DOCUMENTS

D. 200,424	2/1965	Bayless	D15/17
D. 285,079	8/1986	Huthmacher	D15/17
4,182,100	1/1980	Letter	56/12.7
4,224,784	9/1980	Hansen et al.	56/12.7
4,411,126	10/1983	Lowry et al.	56/12.7
4,688,376	8/1987	Wolfe, Sr.	56/12.7

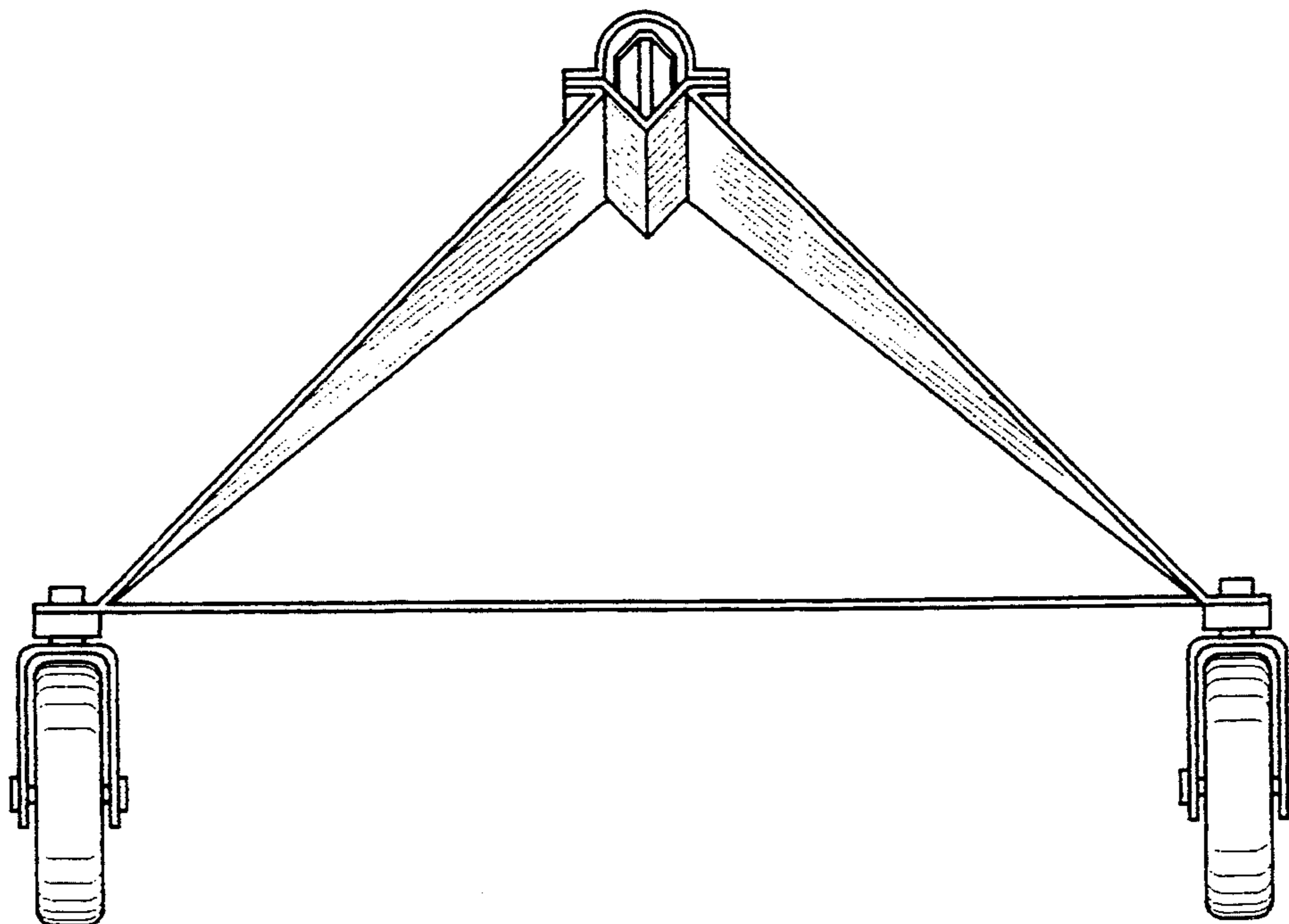


FIG. 1

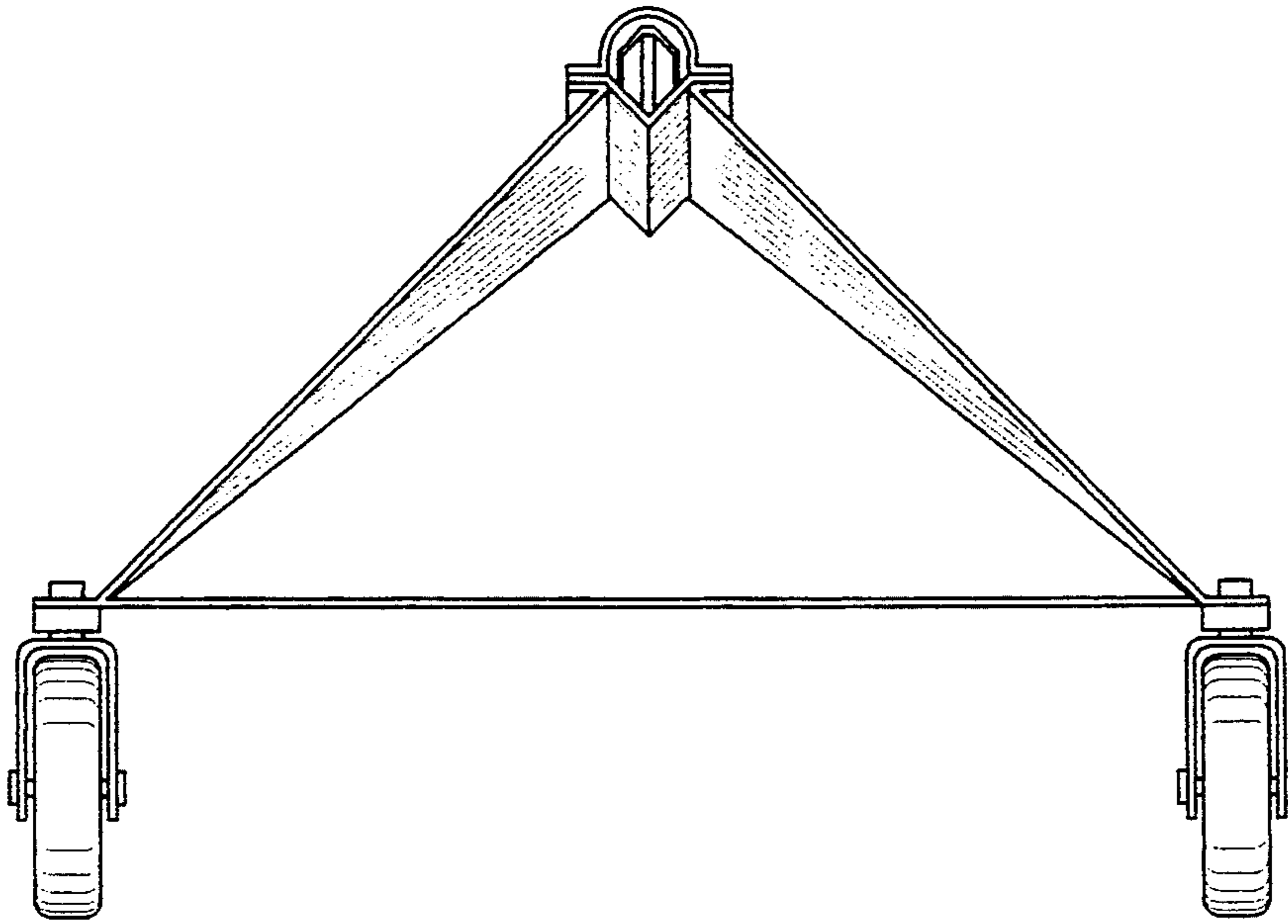


FIG. 2

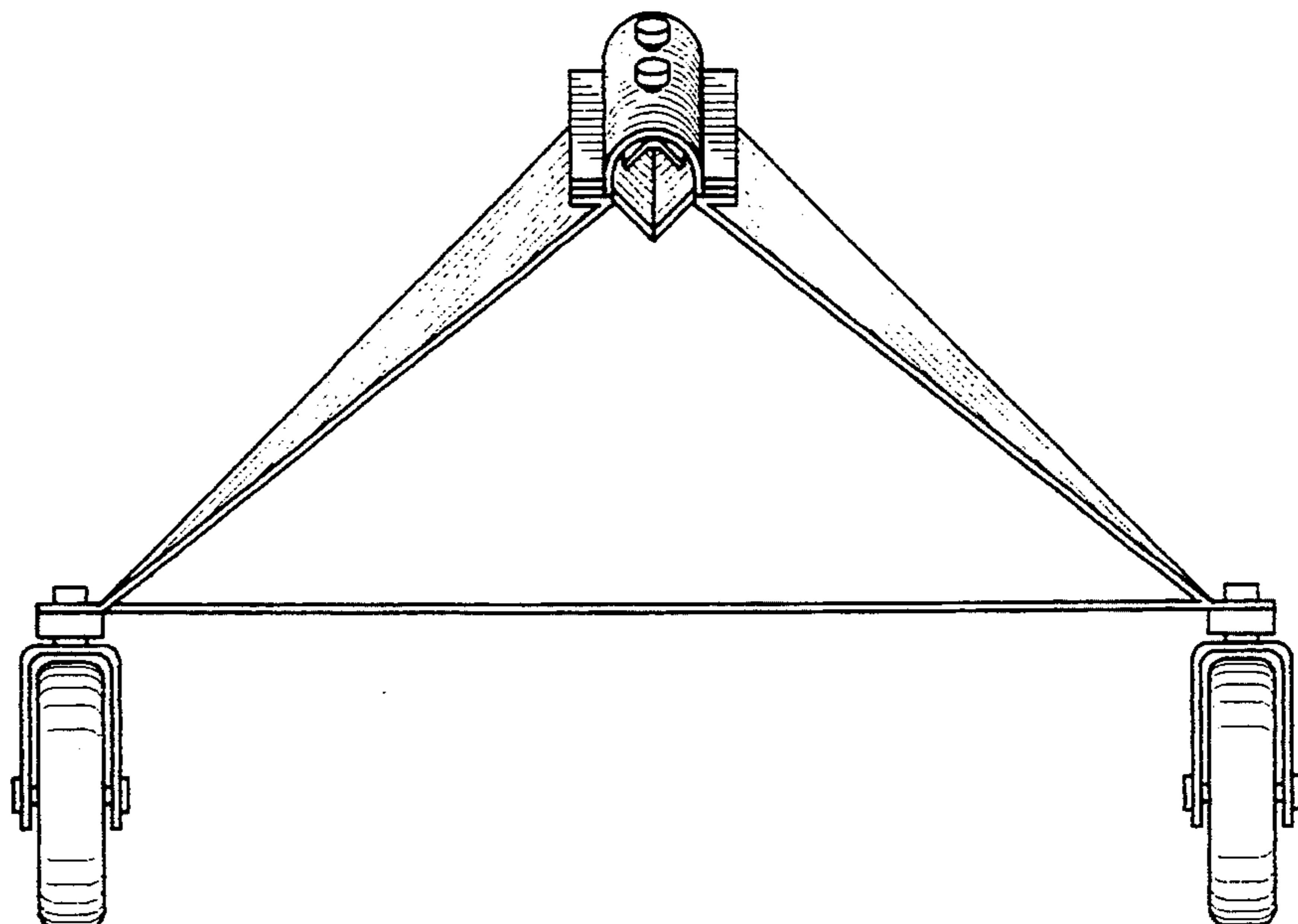


FIG. 3

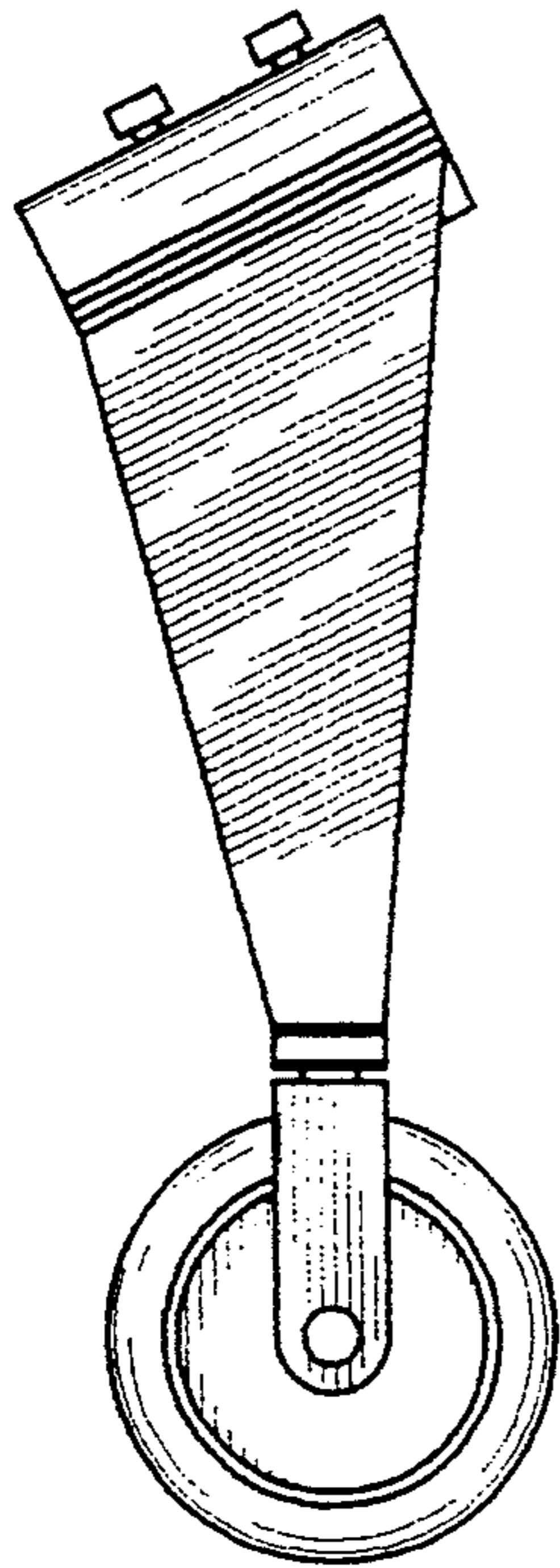


FIG. 4

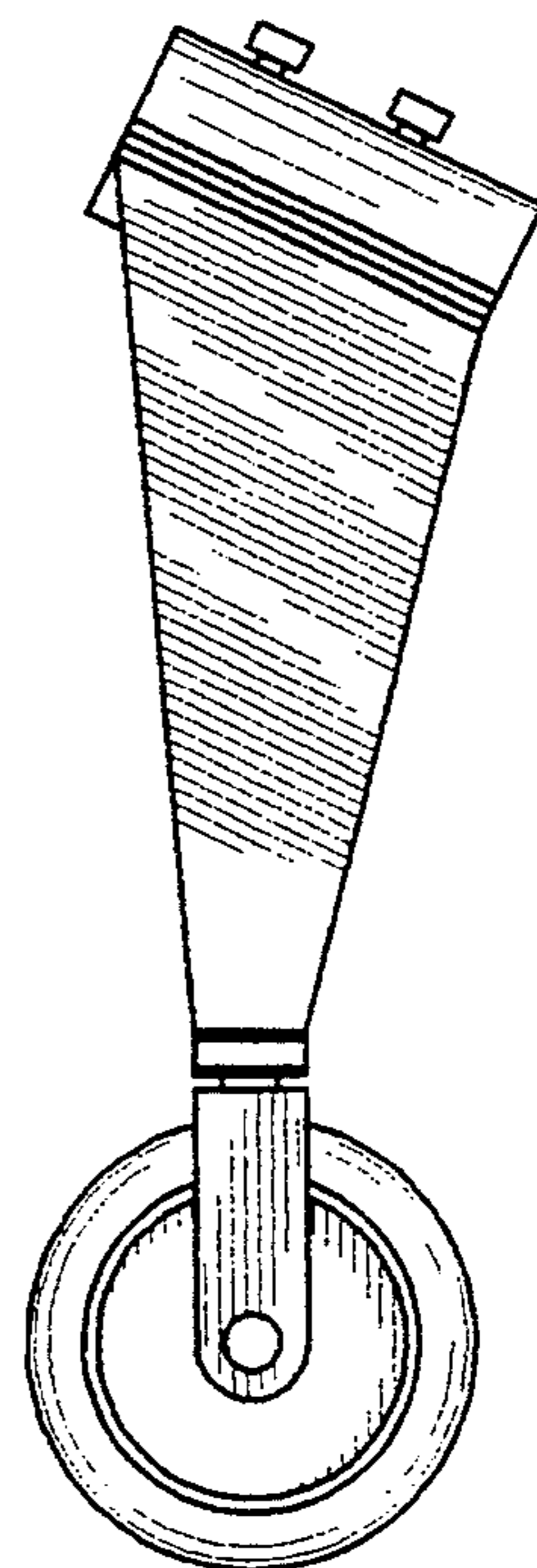


FIG. 5

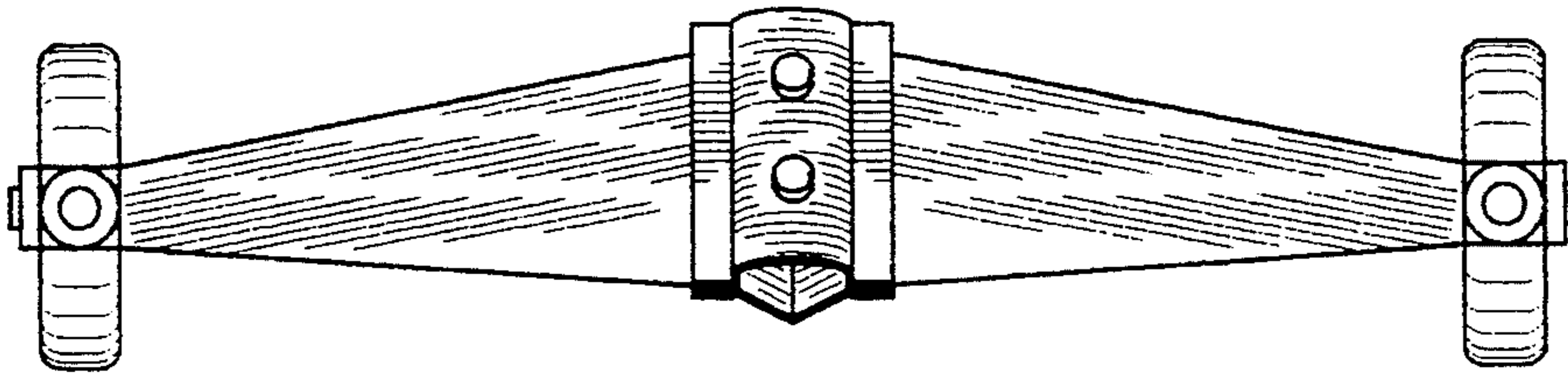


FIG. 6

