



US00D356582S

United States Patent [19]

[11] Patent Number: **Des. 356,582**

Weber

[45] Date of Patent: **** Mar. 21, 1995**

- [54] **LAWN AND GARDEN TRACTOR**
- [75] Inventor: **Steven J. Weber, Whitefish Bay, Wis.**
- [73] Assignee: **Garden Way Incorporated, Troy, N.Y.**
- [**] Term: **14 Years**
- [21] Appl. No.: **13,029**
- [22] Filed: **Sep. 16, 1993**
- [52] U.S. Cl. **D15/15; D15/23**
- [58] Field of Search **D15/10, 14-17, D15/22-28; 56/13.4, 16.6, 16.7, 202, 320.1, 320.2, DIG. 7; 180/89.1, 89.12, 900**

- D. 345,166 3/1994 Kumlukin et al. D15/15
- 5,171,055 12/1992 Hutchison et al. D15/15

OTHER PUBLICATIONS

Implement & Tractor Mar. 1989 p. 13 Kubota riding mower, bottom right.

Primary Examiner—Bernard Ansher
Assistant Examiner—Sandra Morris
Attorney, Agent, or Firm—Hayes & Reinsmith

[56] **References Cited**
U.S. PATENT DOCUMENTS

- D. 305,236 12/1989 Funabashi et al. D15/23
- D. 311,008 10/1990 Durfee et al. D15/15

[57] **CLAIM**

The ornamental design for a lawn and garden tractor, as shown.

DESCRIPTION

FIG. 1 is a perspective view;
FIG. 2 is a side elevation view;
FIG. 3 is a top plan view;
FIG. 4 is a front elevation view; and,
FIG. 5 is a rear elevation view.

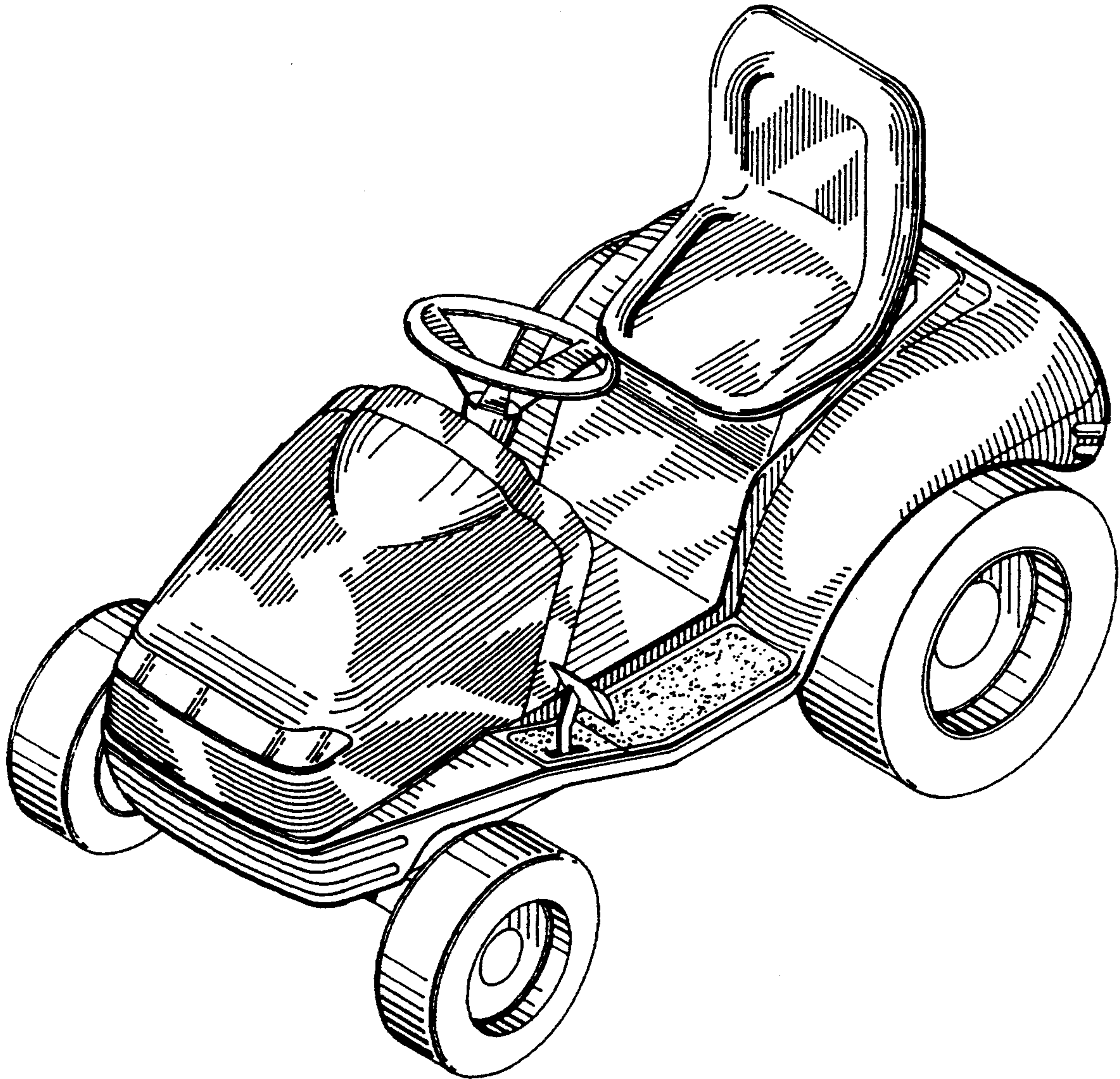


FIG. 1

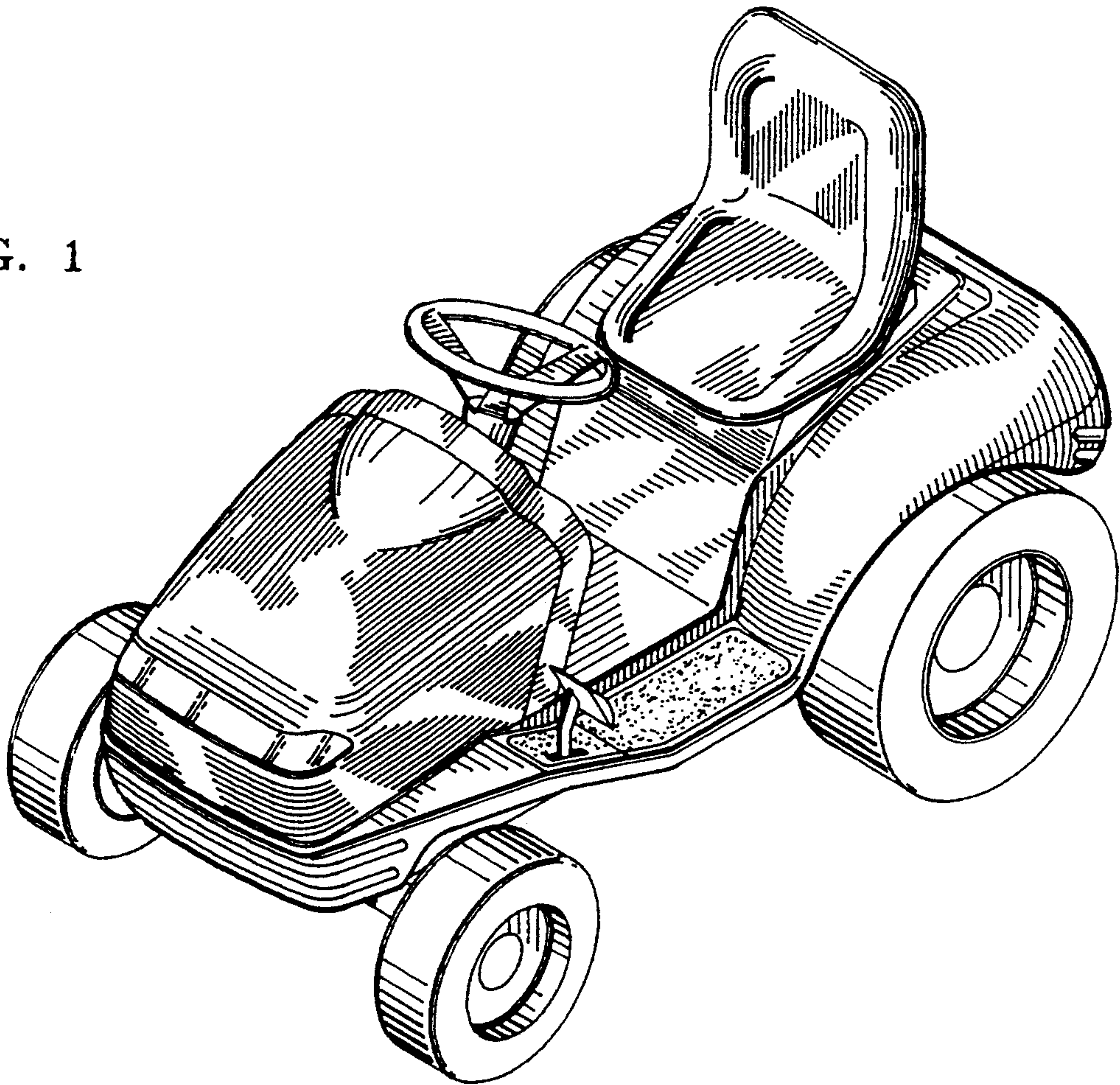


FIG. 2

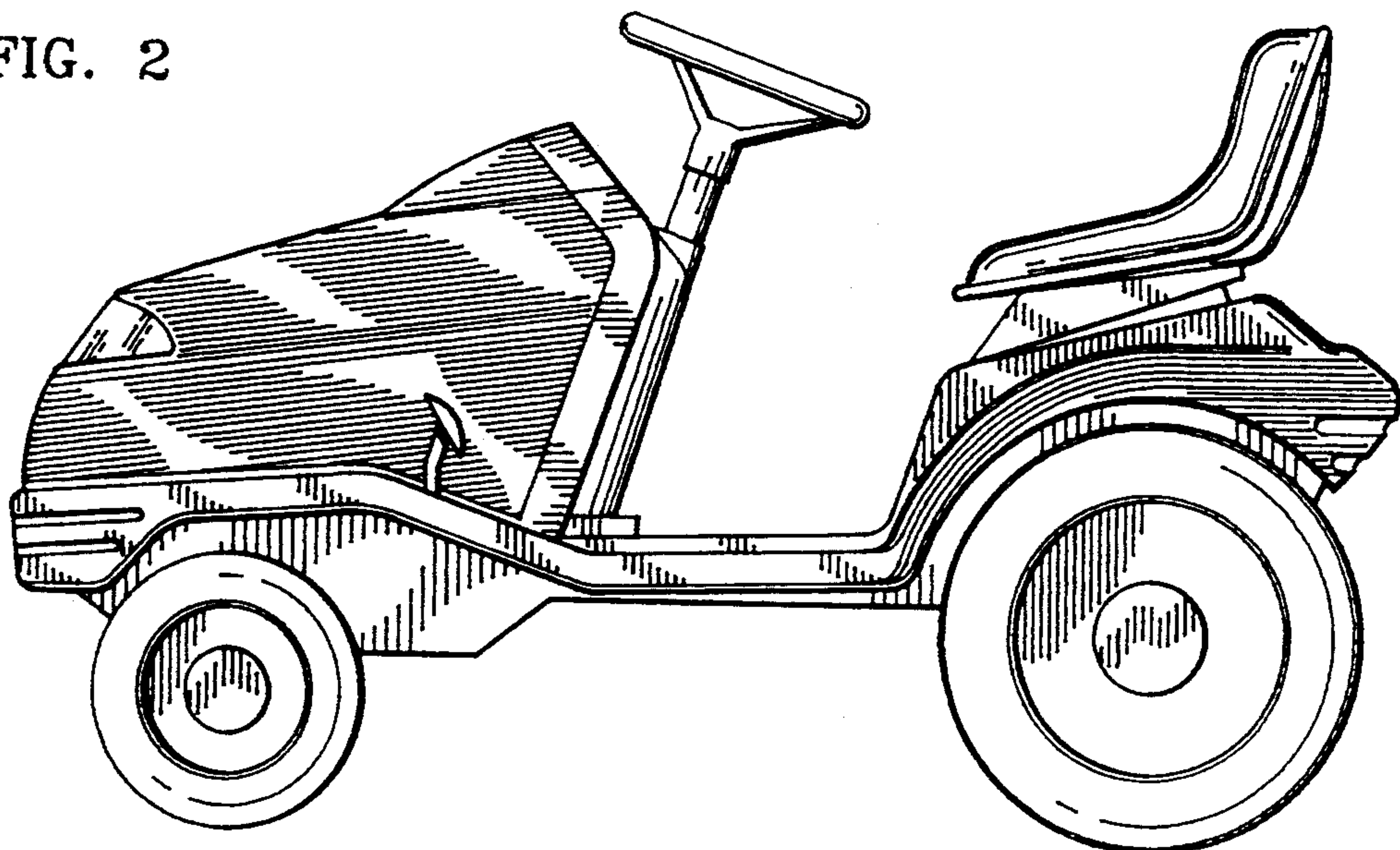


FIG. 3

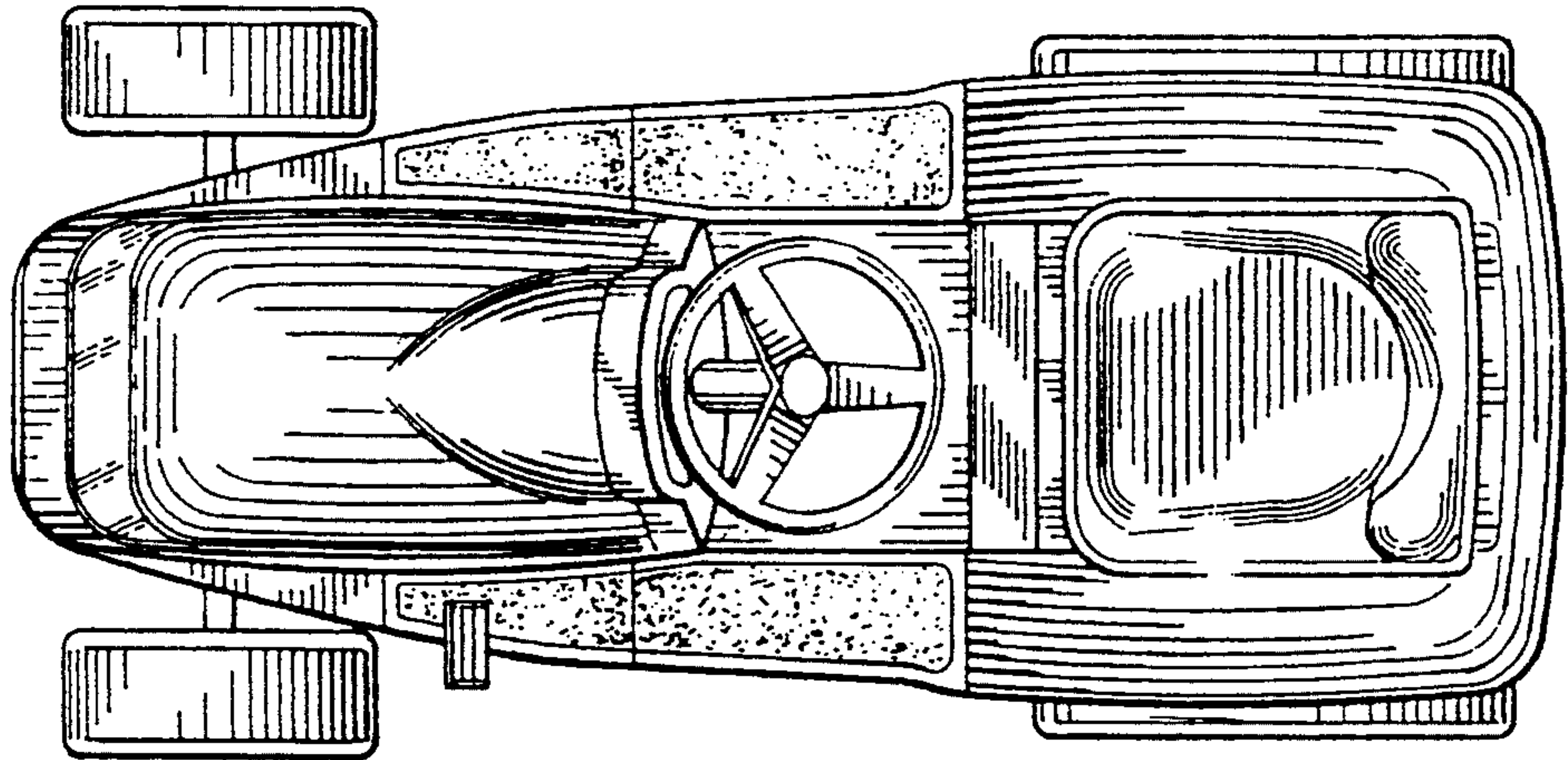


FIG. 4

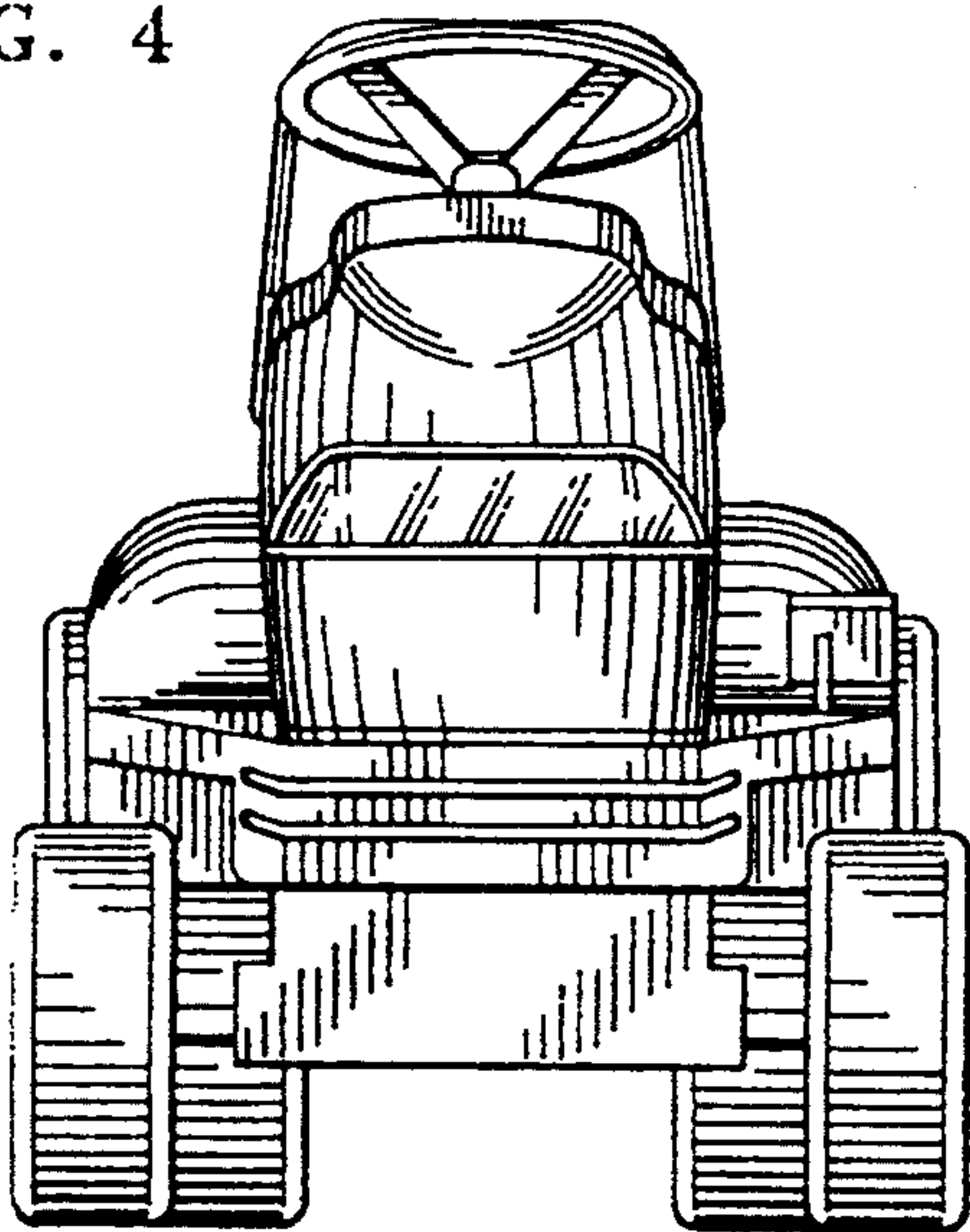


FIG. 5

