



US00D356581S

United States Patent [19]

[11] Patent Number: **Des. 356,581**

Chunn et al.

[45] Date of Patent: **** Mar. 21, 1995**

[54] **ELECTRIC LAWN MOWER**

[75] Inventors: **Danel A. Chunn**, Greenville, S.C.;
James B. Watson, Conyers; **William J. Saunders**, Lithonia, both of Ga.

[73] Assignee: **Ryobi Motor Products, Corp.**, Easley, S.C.

[**] Term: **14 Years**

[21] Appl. No.: **14,396**

[22] Filed: **Oct. 20, 1993**

[52] U.S. Cl. **D15/14**

[58] Field of Search **D15/10, 14-18;**
56/12.8, 13.4, 16.7, 17.5, 202, 254, 255, 294,
320.1, 320.2

3,150,479	9/1964	Wolf	56/254
3,855,763	12/1974	Seifert et al.	56/320.2
4,051,648	10/1977	Uhlinger et al.	56/255
4,351,143	9/1982	Lessig, III	56/17.5
5,060,460	10/1991	Dunn	56/12.8
5,101,617	4/1992	Hare et al.	56/17.4

OTHER PUBLICATIONS

Black & Decker © 1991 p. 5, M300 Lawn Mower.

Primary Examiner—Bernard Ansher

Assistant Examiner—Sandra Morris

Attorney, Agent, or Firm—Brooks & Kushman

[57] **CLAIM**

The ornamental design for an electric lawn mower, as shown and described.

DESCRIPTION

FIG. 1 is a perspective view of the electric lawn mower;

FIG. 2 is a left side elevational view;

FIG. 3 is a right side elevational view;

FIG. 4 is a rear end view;

FIG. 5 is a front end view;

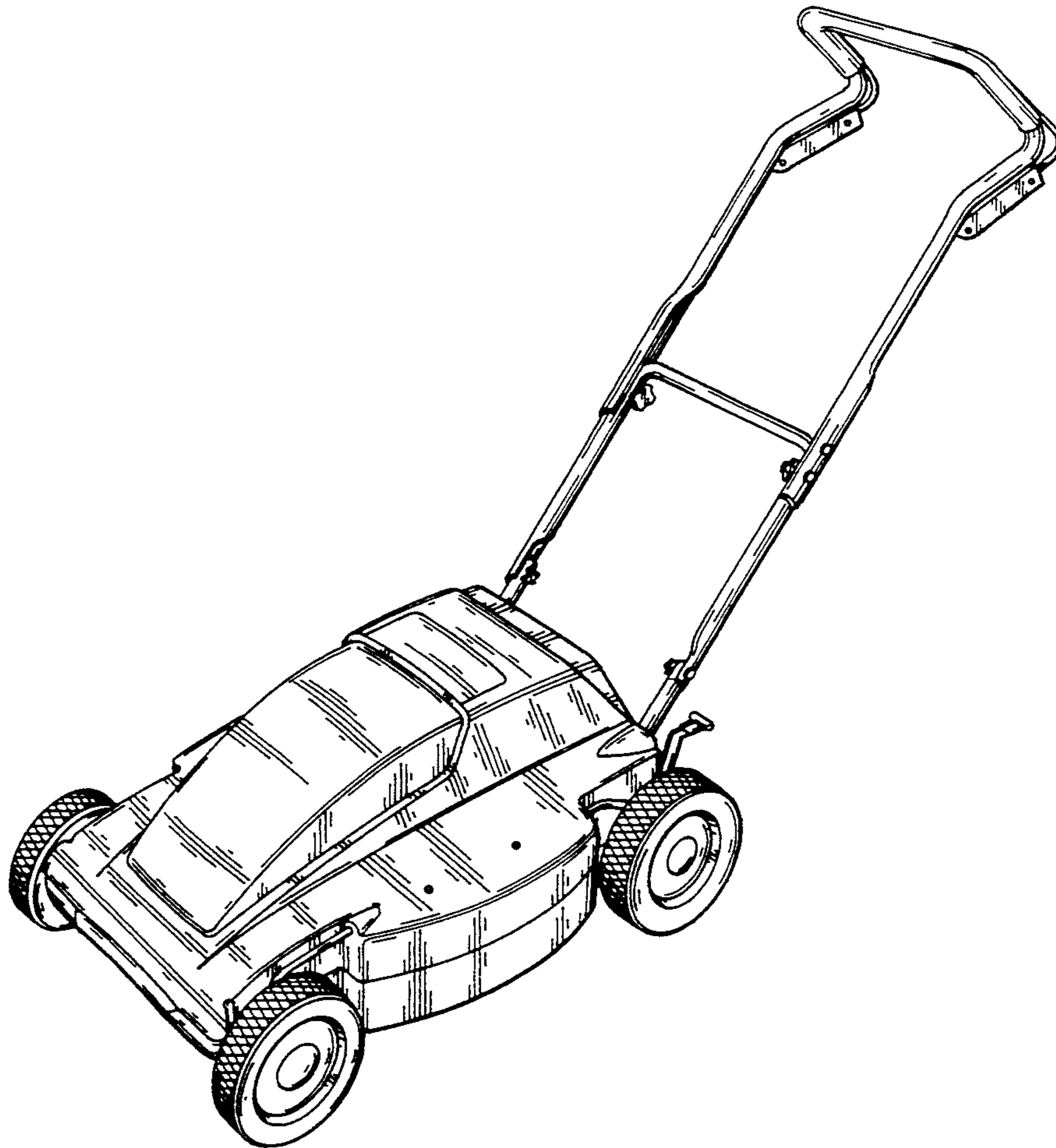
FIG. 6 is a top plan view; and,

FIG. 7 is a bottom plan view.

[56] **References Cited**

U.S. PATENT DOCUMENTS

D. 191,675	10/1961	Ernest .	
D. 319,447	9/1991	Oshima et al.	D15/14
D. 330,210	10/1992	Sirois et al.	D15/14
D. 333,309	2/1993	Hess et al.	D15/14
D. 346,810	5/1994	Schulz et al.	D15/14
D. 347,640	6/1994	Chunn et al.	D15/14



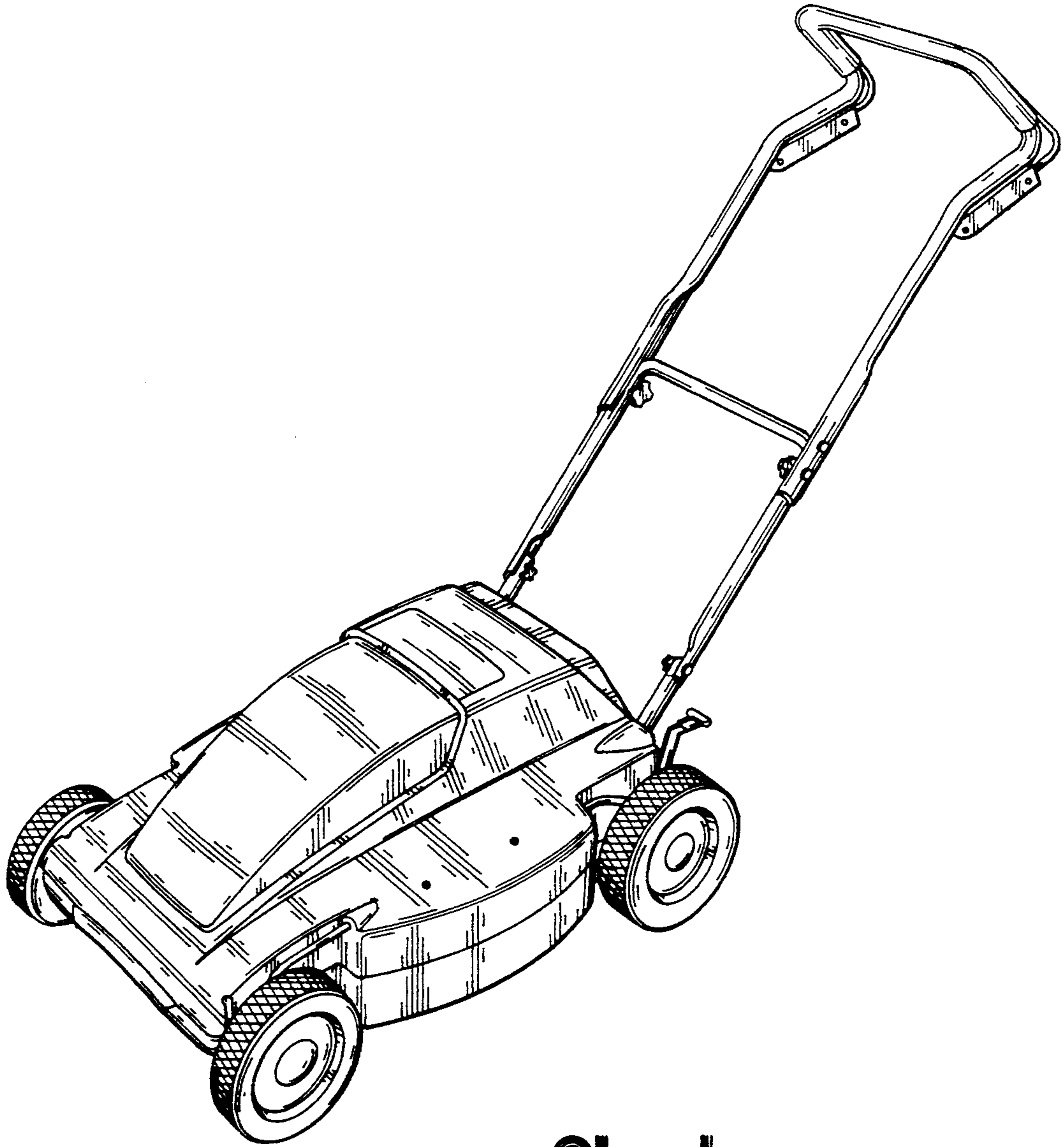


Fig-1

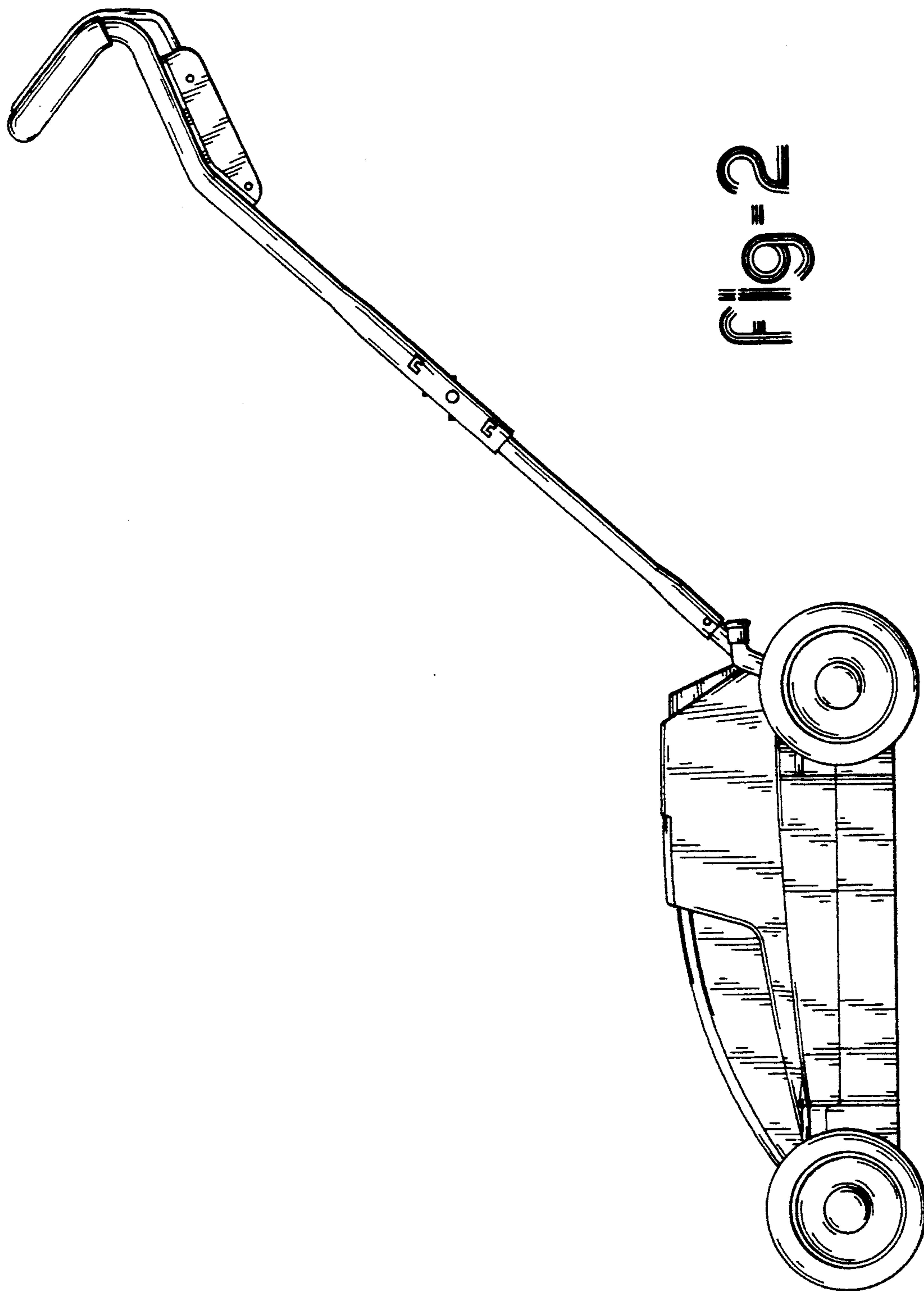


FIG-2

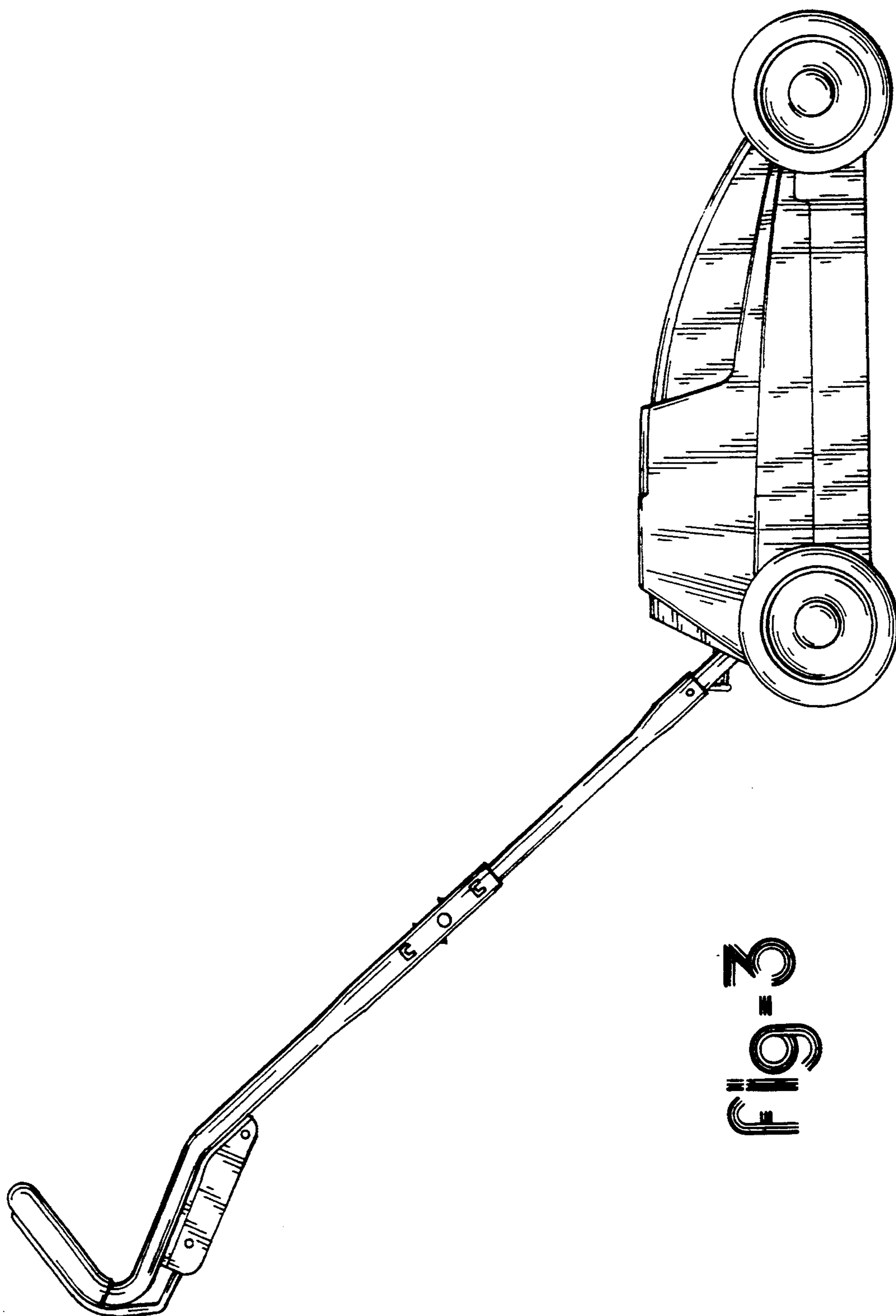


FIG-3

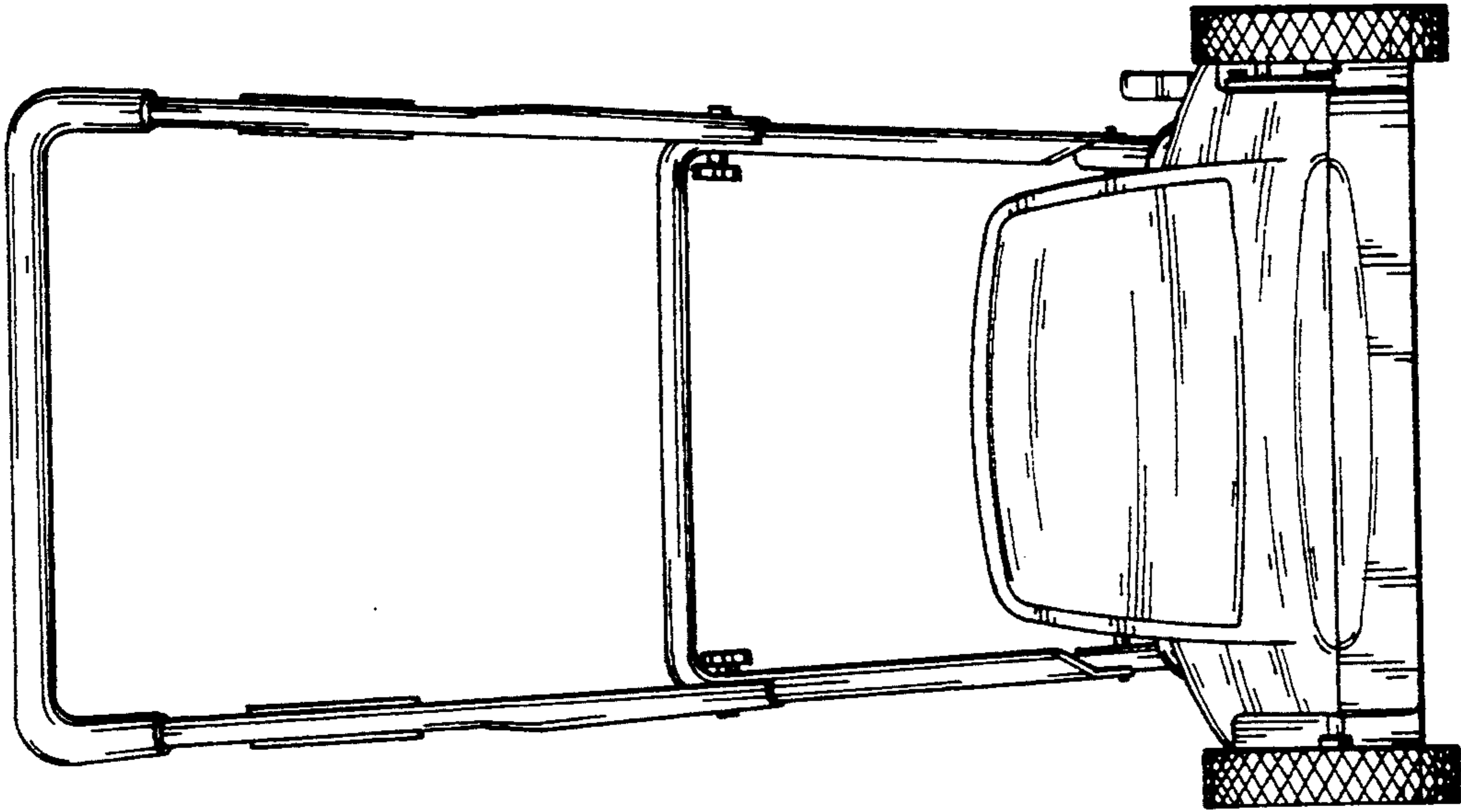


FIG-5

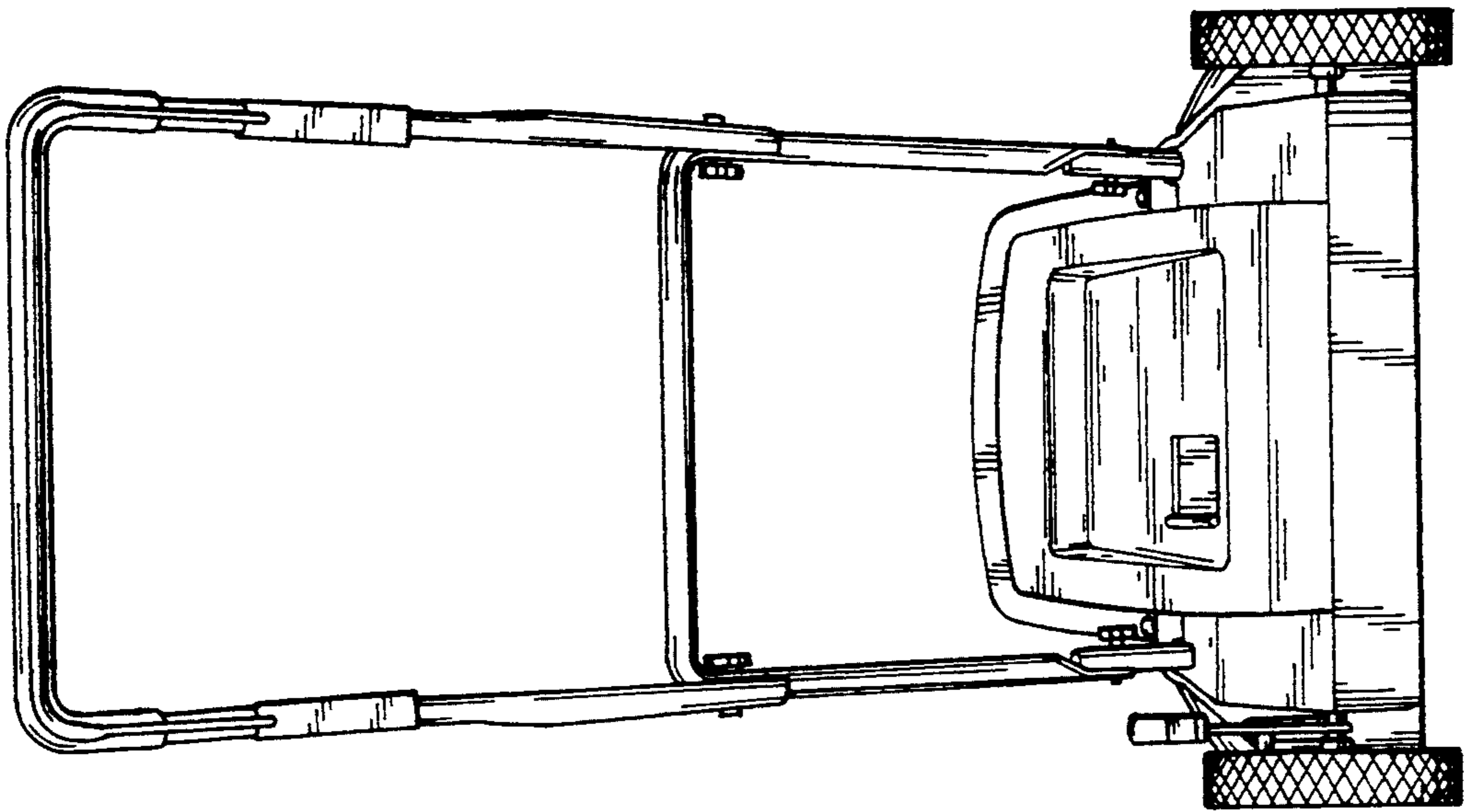


FIG-4

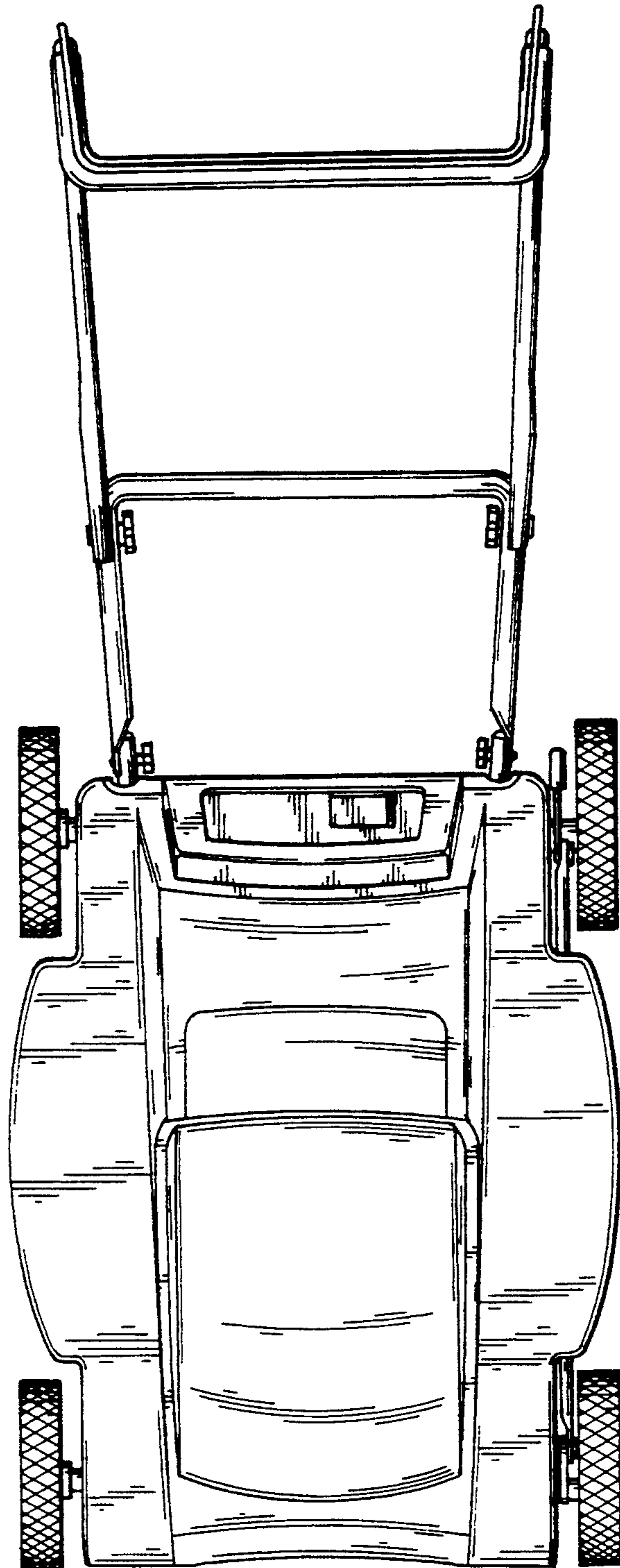


Fig. 6

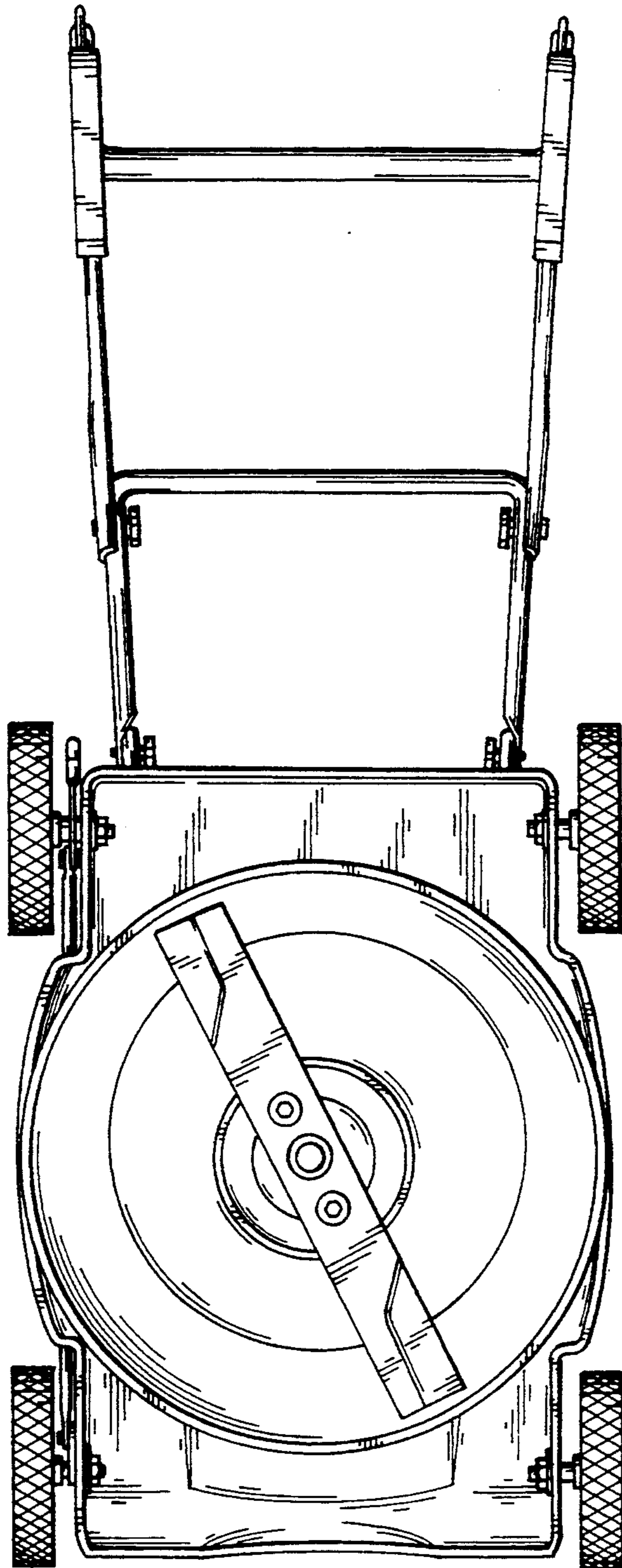


FIG. 7