



US00D356578S

United States Patent [19]

[11] Patent Number: **Des. 356,578**

Yazawa

[45] Date of Patent: **** Mar. 21, 1995**

[54] PUMP

[75] Inventor: **Haruji Yazawa**, Edogawa, Japan

[73] Assignee: **Kaiyo Kogyo Kabushiki Kaisha**, Tokyo, Japan

[**] Term: **14 Years**

[21] Appl. No.: **12,888**

[22] Filed: **Sep. 14, 1993**

[52] U.S. Cl. **D15/8**

[58] Field of Search **D23/231, 232, 213, 207; 417/234, 258, 321, 410 B, 415-416, 426, 535-537; 152/415-6, 426; D30/106; D15/7-8; D22/134; 210/242.2; 261/77, 120, 123**

4,752,421 6/1988 Makino et al. 261/120
 4,911,838 3/1990 Tanaka 210/242.2

Primary Examiner—Ralf T. Seifert
Attorney, Agent, or Firm—Wenderoth, Lind & Ponack

[57] CLAIM

The ornamental design for a pump, as shown and described.

DESCRIPTION

FIG. 1 is a perspective view of a pump showing my new design;
 FIG. 2 is a front elevational view thereof;
 FIG. 3 is a rear elevational view thereof;
 FIG. 4 is a top plan view thereof;
 FIG. 5 is a bottom plan view thereof;
 FIG. 6 is a left side elevational view thereof, the right side elevational view being a mirror image;
 FIG. 7 is a cross-sectional view taken along line 7—7 in FIG. 2; and,
 FIG. 8 is a cross-sectional view taken along line 8—8 in FIG. 2.

[56] **References Cited**

U.S. PATENT DOCUMENTS

2,364,686 12/1944 Balisteri et al. D15/8
 4,472,113 9/1984 Rogen 417/321
 4,702,830 10/1987 Makino et al. 210/77

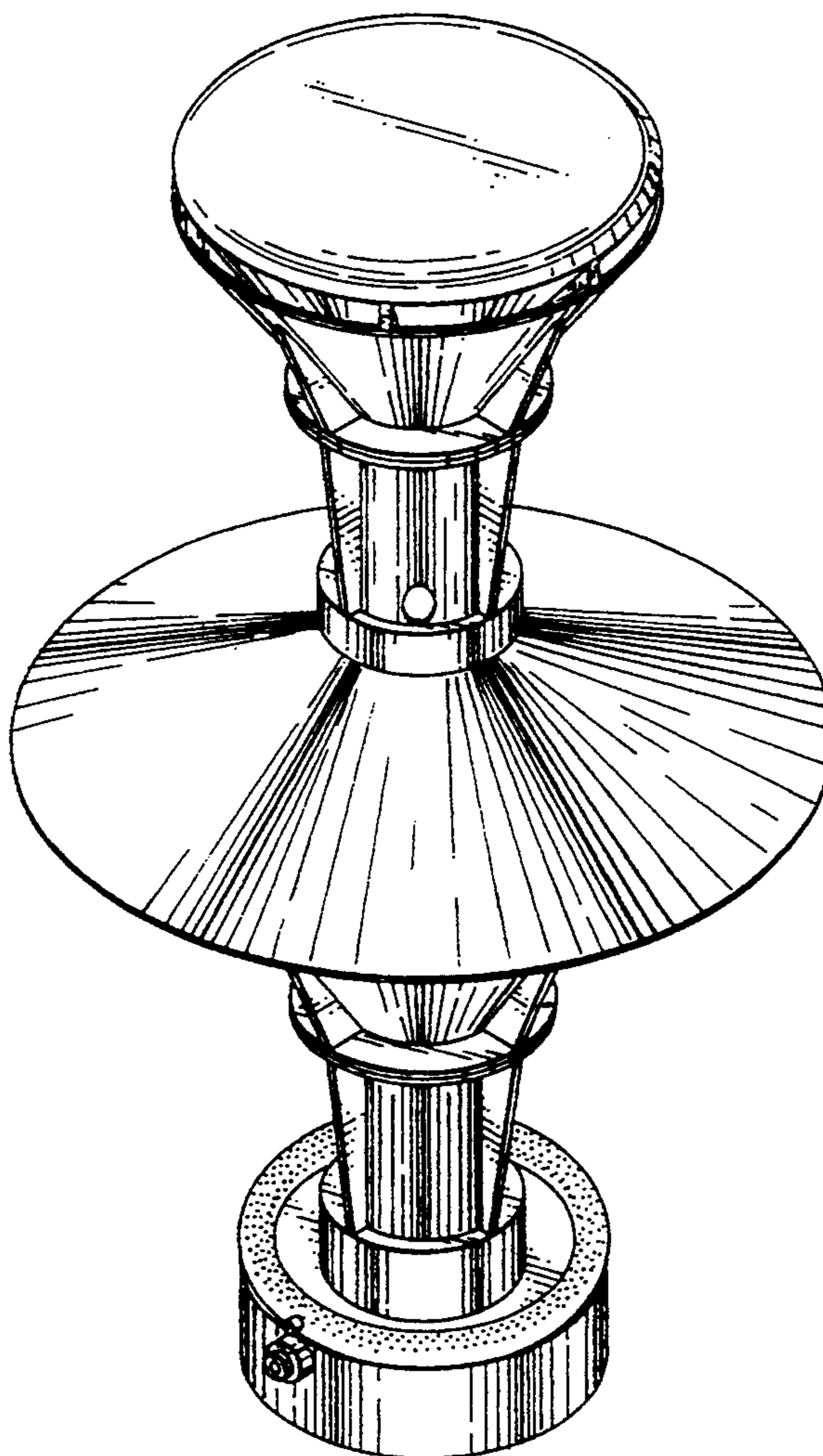


FIG. 1

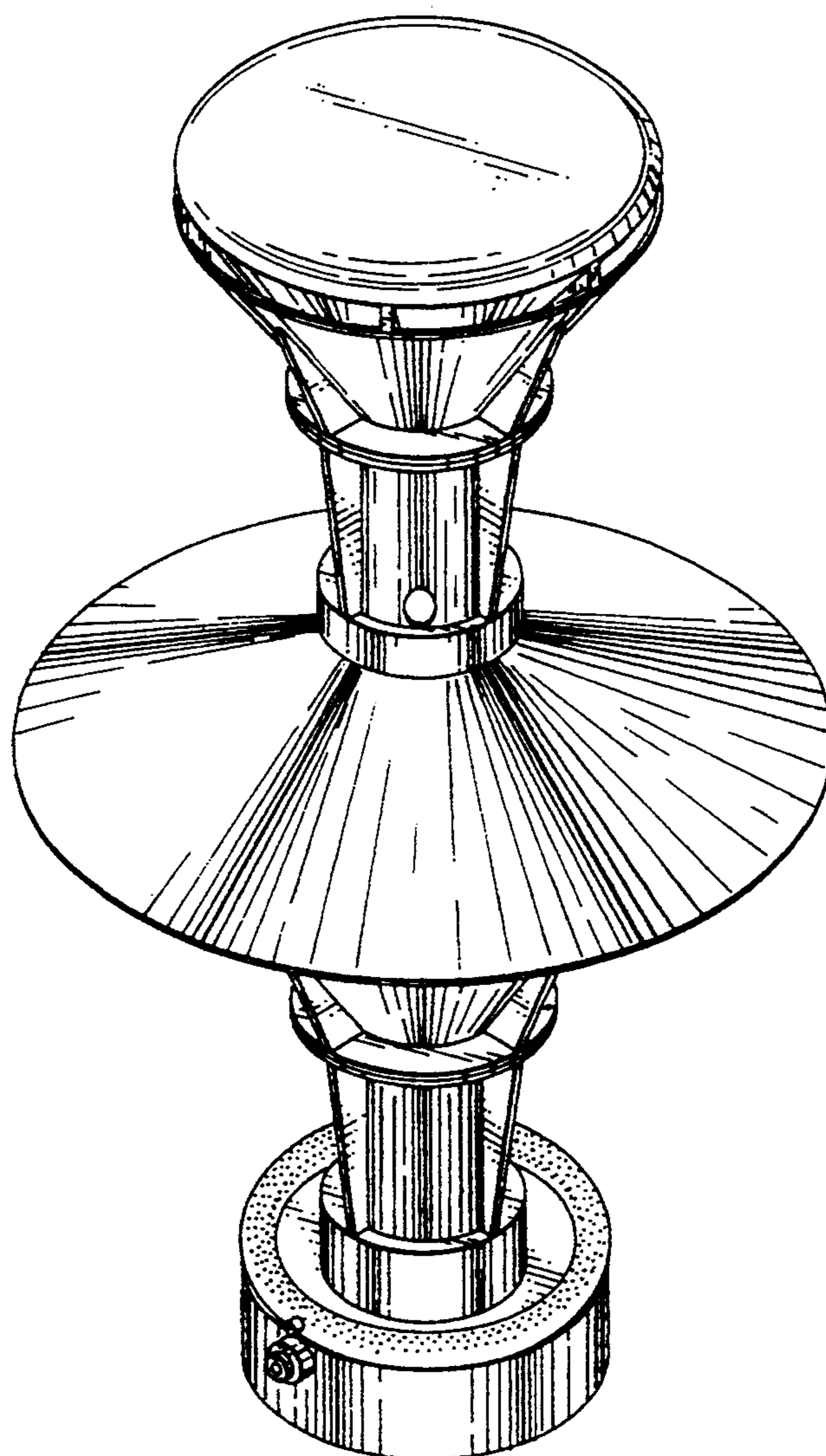


FIG. 2

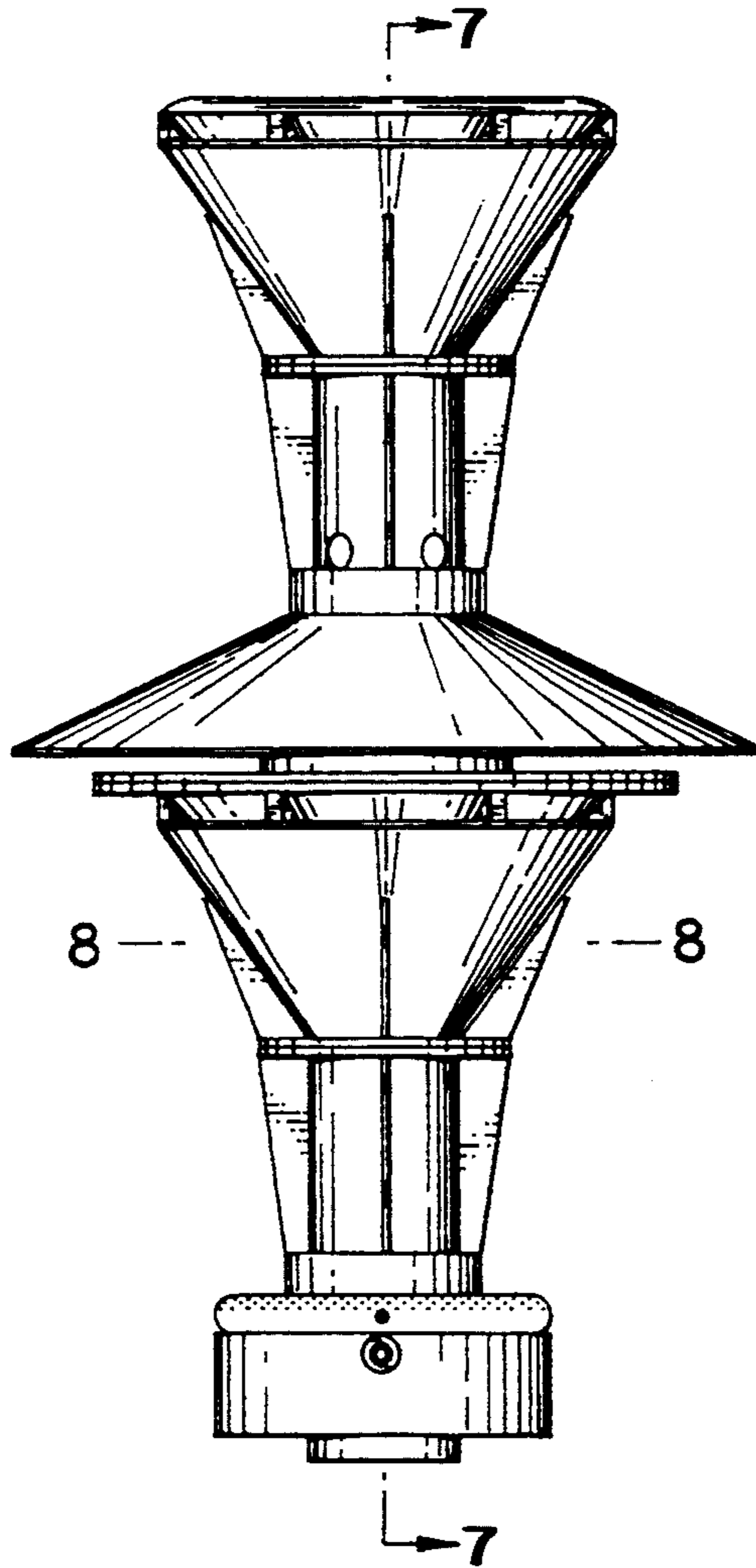


FIG. 3

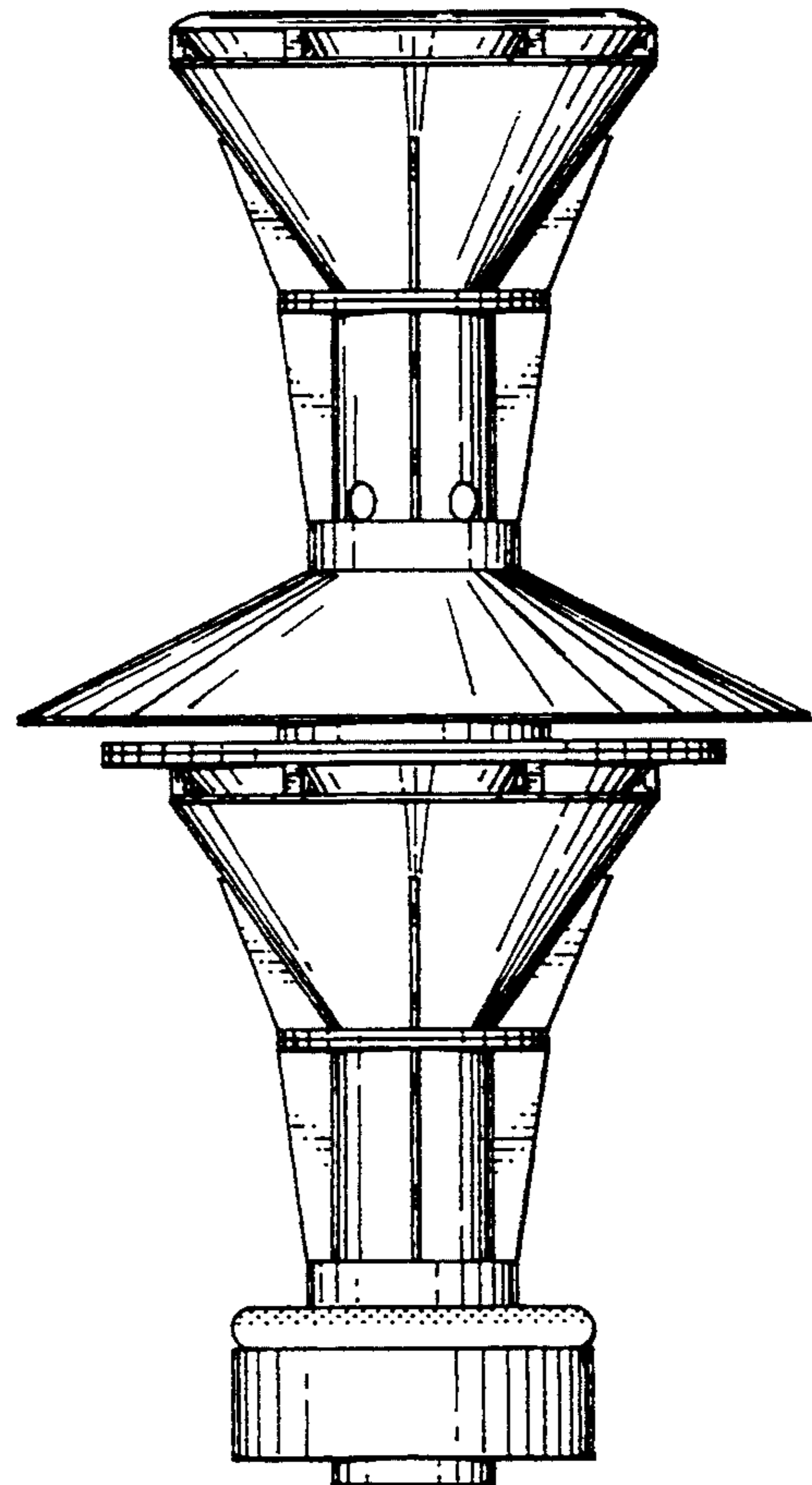


FIG. 4

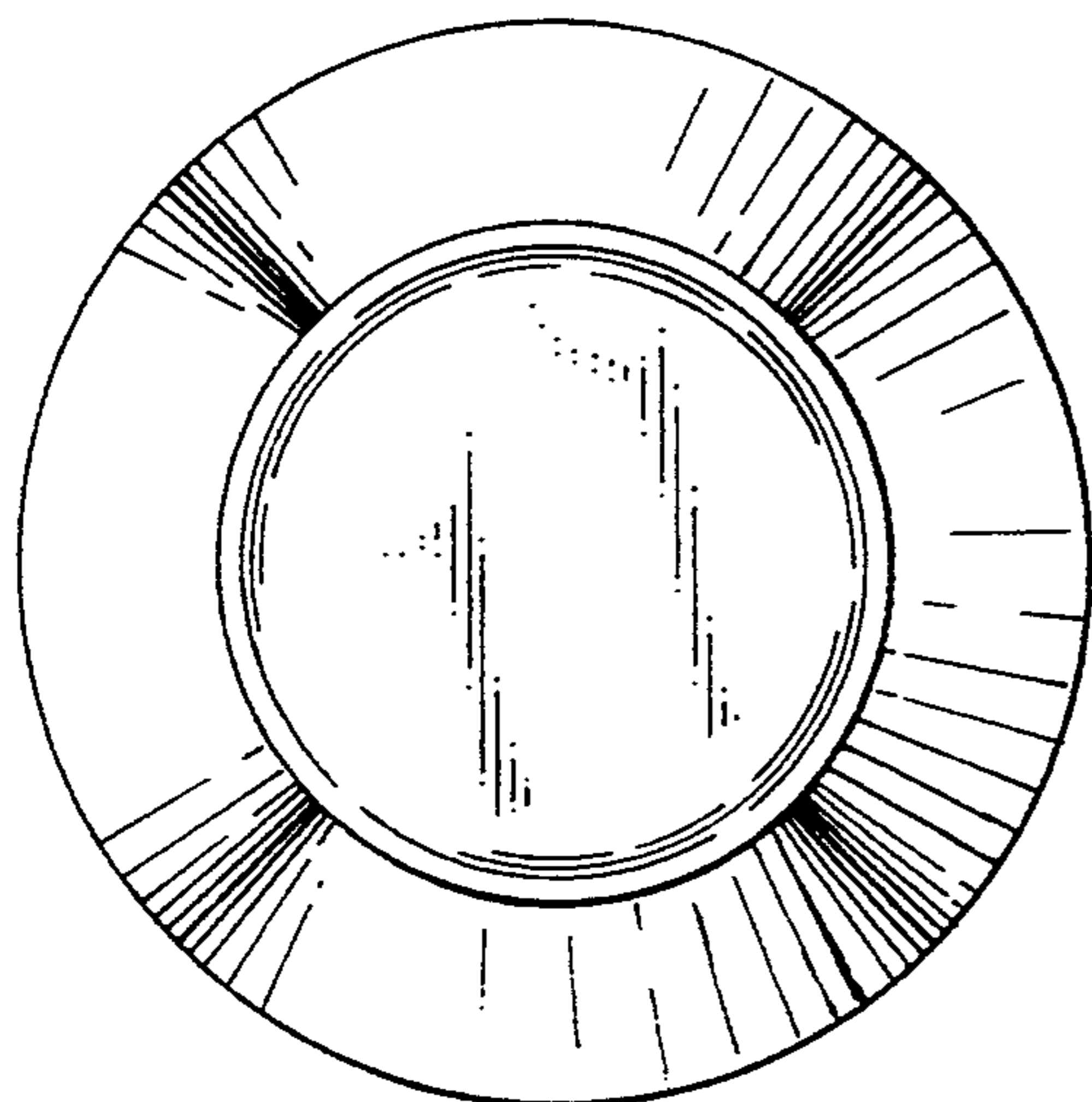


FIG. 5

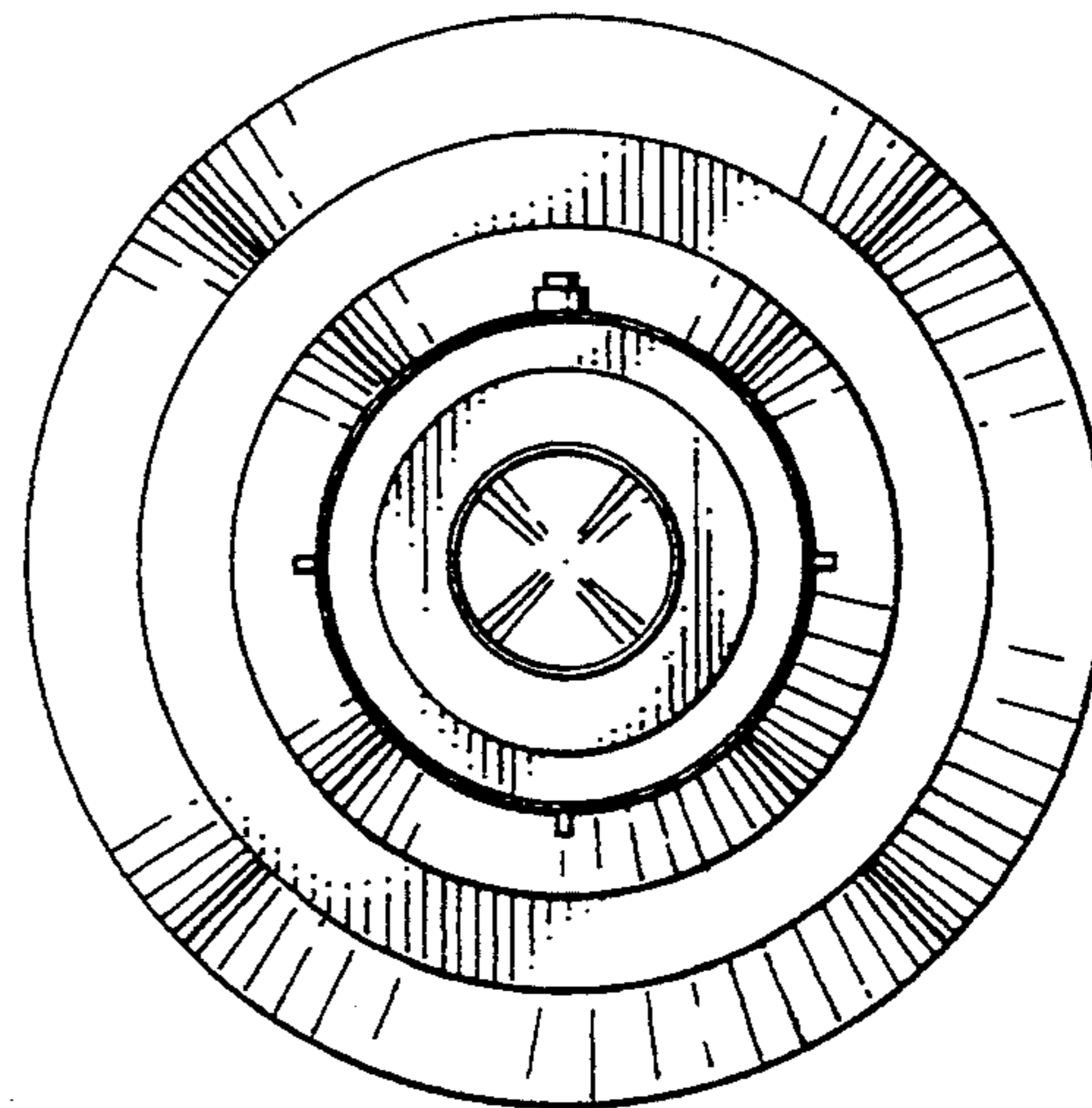


FIG. 6

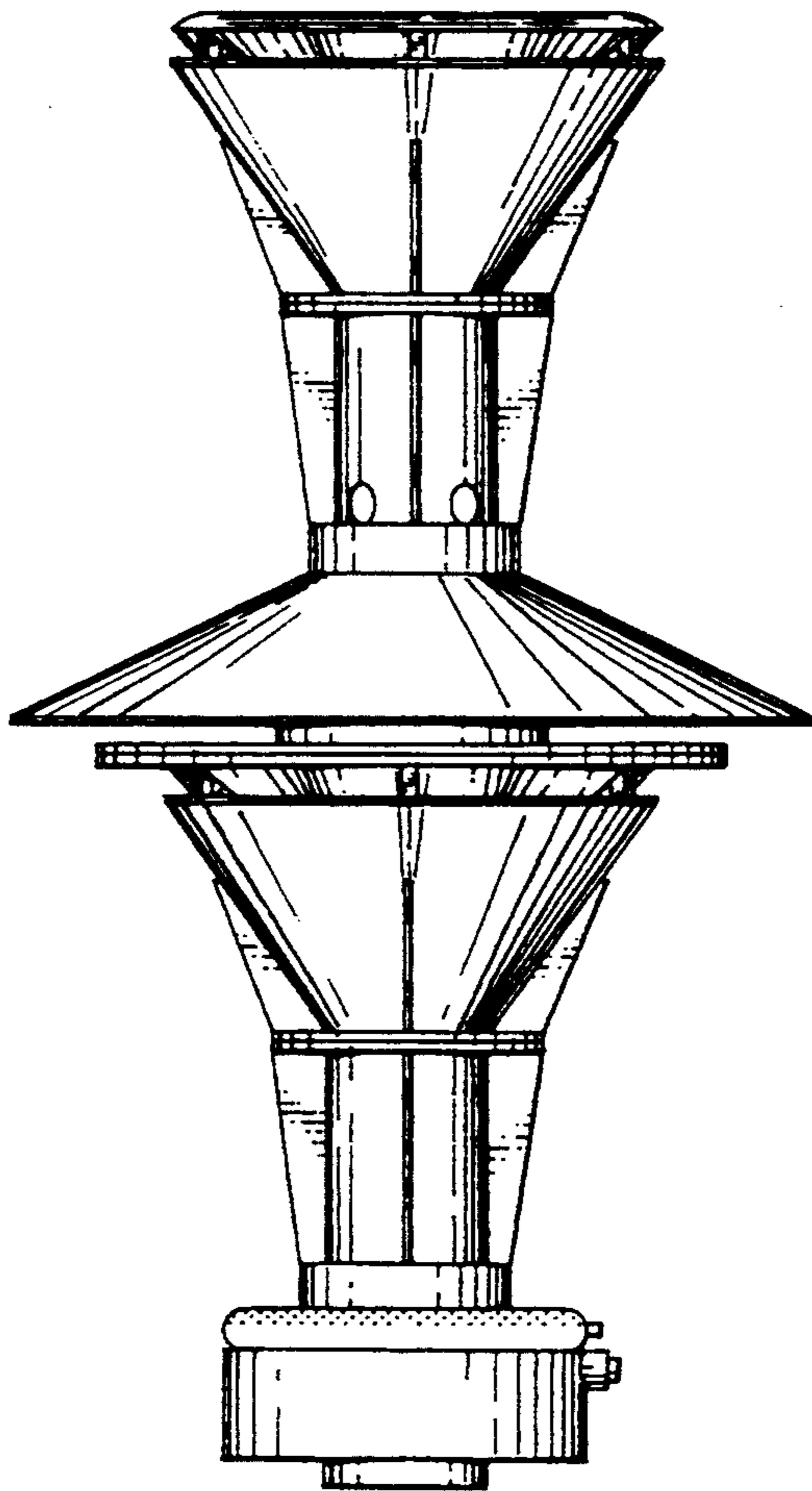


FIG. 7

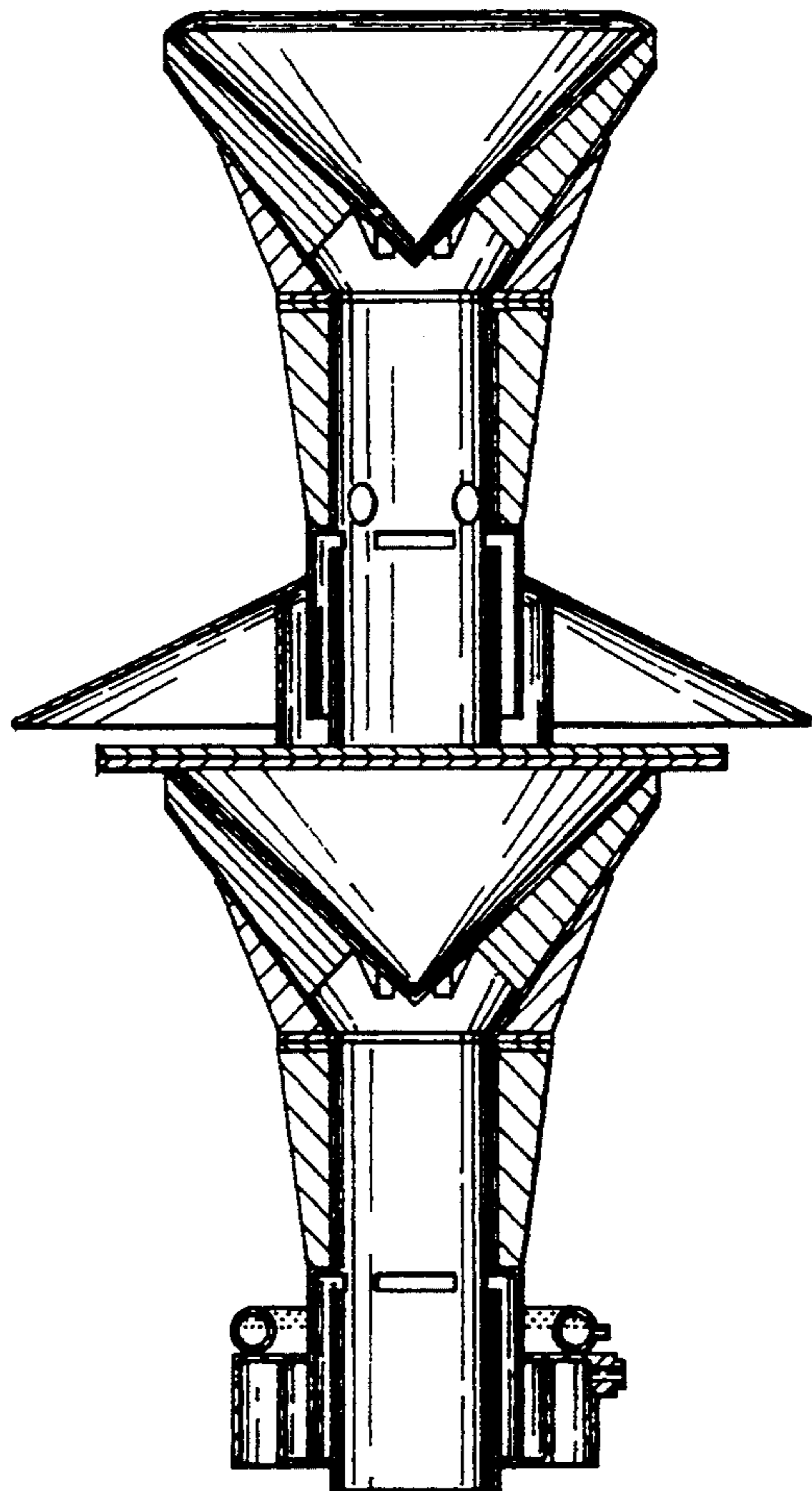


FIG. 8

